



US00D528899S

(12) **United States Design Patent** (10) **Patent No.:** **US D528,899 S**  
**Bell et al.** (45) **Date of Patent:** **\*\* Sep. 26, 2006**

(54) **LOCK FOR A TOILET PARTITION**

(75) Inventors: **Jeffrey Scott Bell**, Ancaster (CA);  
**Allan Patrick Smith**, Hamilton (CA);  
**Gary Phillip Greenway**, Waterdown (CA)

(73) Assignee: **Hadrian Manufacturing Inc.**,  
Burlington (CA)

(\*\*) Term: **14 Years**

(21) Appl. No.: **29/234,226**

(22) Filed: **Jul. 15, 2005**

**Related U.S. Application Data**

(62) Division of application No. 29/189,112, filed on Aug. 29, 2003.

(51) **LOC (8) Cl.** ..... **08-07**

(52) **U.S. Cl.** ..... **D8/331**

(58) **Field of Classification Search** ..... D8/330,  
D8/331, 336, 338, 339, 343, 349, 301; 70/14,  
70/51, 52, 141, 144, 91; 292/109, 113, 137.358,  
292/359, DIG. 42, 204–207, DIG. 68  
See application file for complete search history.

(56) **References Cited**

**U.S. PATENT DOCUMENTS**

4,635,977	A	*	1/1987	Yamada	.....	292/92
5,347,834	A	*	9/1994	Ramsauer	.....	70/120
D354,428	S	*	1/1995	Magnusson	.....	D8/331
5,450,735	A	*	9/1995	Esaki et al.	.....	70/208
5,469,725	A	*	11/1995	Yamada	.....	70/208
D424,405	S	*	5/2000	Schlack et al.	.....	D8/331
D425,396	S	*	5/2000	Schlack et al.	.....	D8/331
D495,235	S	*	8/2004	Burrows	.....	D8/341
D501,130	S	*	1/2005	Schlack	.....	D8/331
D503,083	S	*	3/2005	Schlack	.....	D8/331

**OTHER PUBLICATIONS**

Hadrian Manufacturing Inc., “Quality Metal Toilet Compartments”, promotional brochure, Aug. 1996, pp. 1–8.

Hadrian Manufacturing Inc., “Metal Toilet Partitions”, promotional brochure, Oct. 2000, pp. 1–8.

Hadrian Manufacturing Inc., “Unsurpassed Quality . . . Plus! Introducing Elite Series Toilet Partitions and the ‘No Sight-line Solution’”, promotional brochure, Jun. 1999, 2 pages.

Hadrian Manufacturing Inc., “Metal Toilet Partition Features & Options Guide”, promotional brochure, Jul. 2002, 4 pages.

\* cited by examiner

*Primary Examiner*—Prabhakar Deshmukh

(57) **CLAIM**

The ornamental design for a lock for a toilet partition, as shown and described.

**DESCRIPTION**

FIG. 1 is an exterior right perspective view of a lock for a toilet partition showing our new design, shown in an unlocked position;

FIG. 2 is an interior right perspective view of the lock for a toilet partition of FIG. 1;

FIG. 3 is an exterior top perspective view of the lock for a toilet partition of FIG. 1;

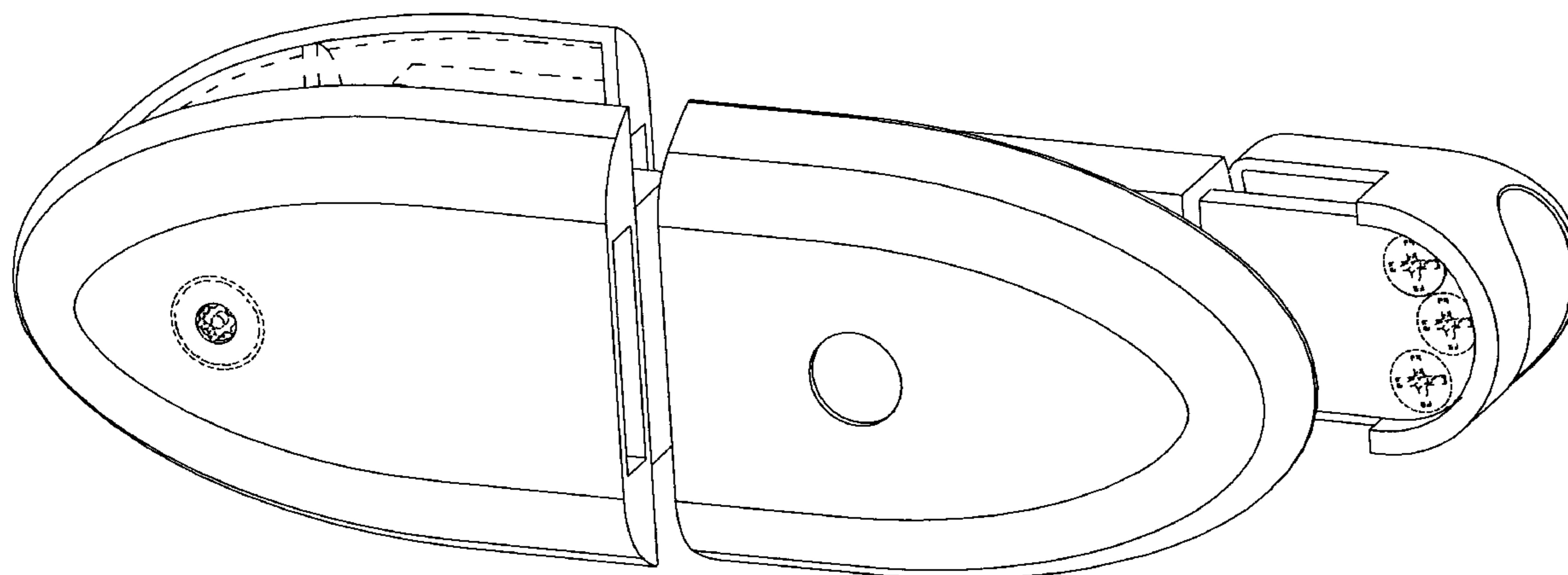
FIG. 4 is an exterior right perspective view of a lock for a toilet partition similar to that of FIG. 1, shown in a locked position;

FIG. 5 is an interior right perspective view of the lock for a toilet partition of FIG. 4; and,

FIG. 6 is an exterior top perspective view of the lock for a toilet partition of FIG. 4.

The broken lines are for illustrative purpose only and form no part of the claimed design.

**1 Claim, 6 Drawing Sheets**



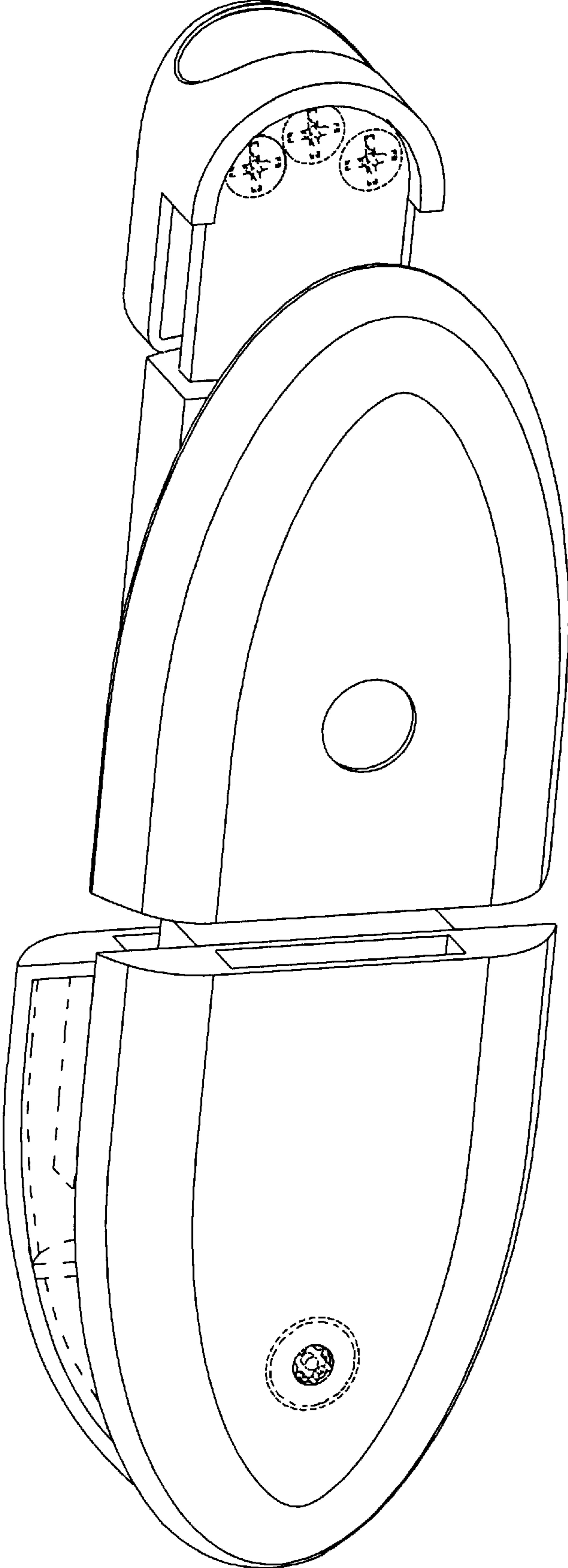


FIG.1

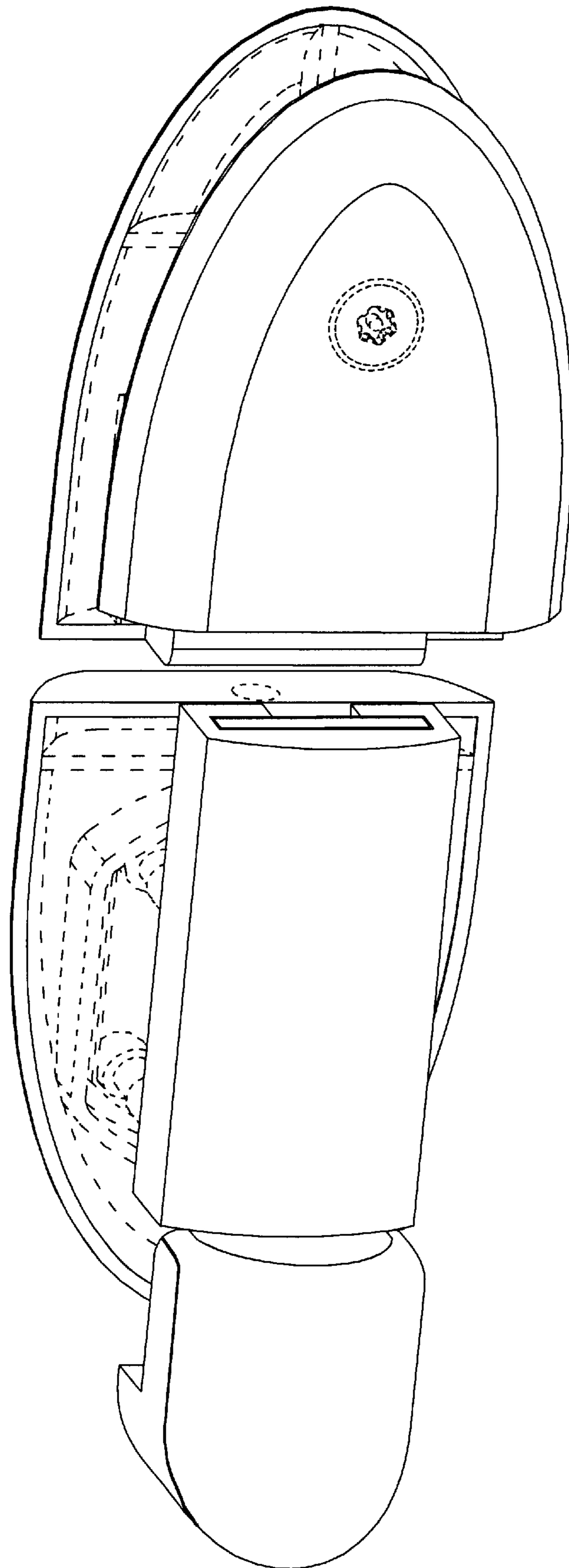


FIG.2

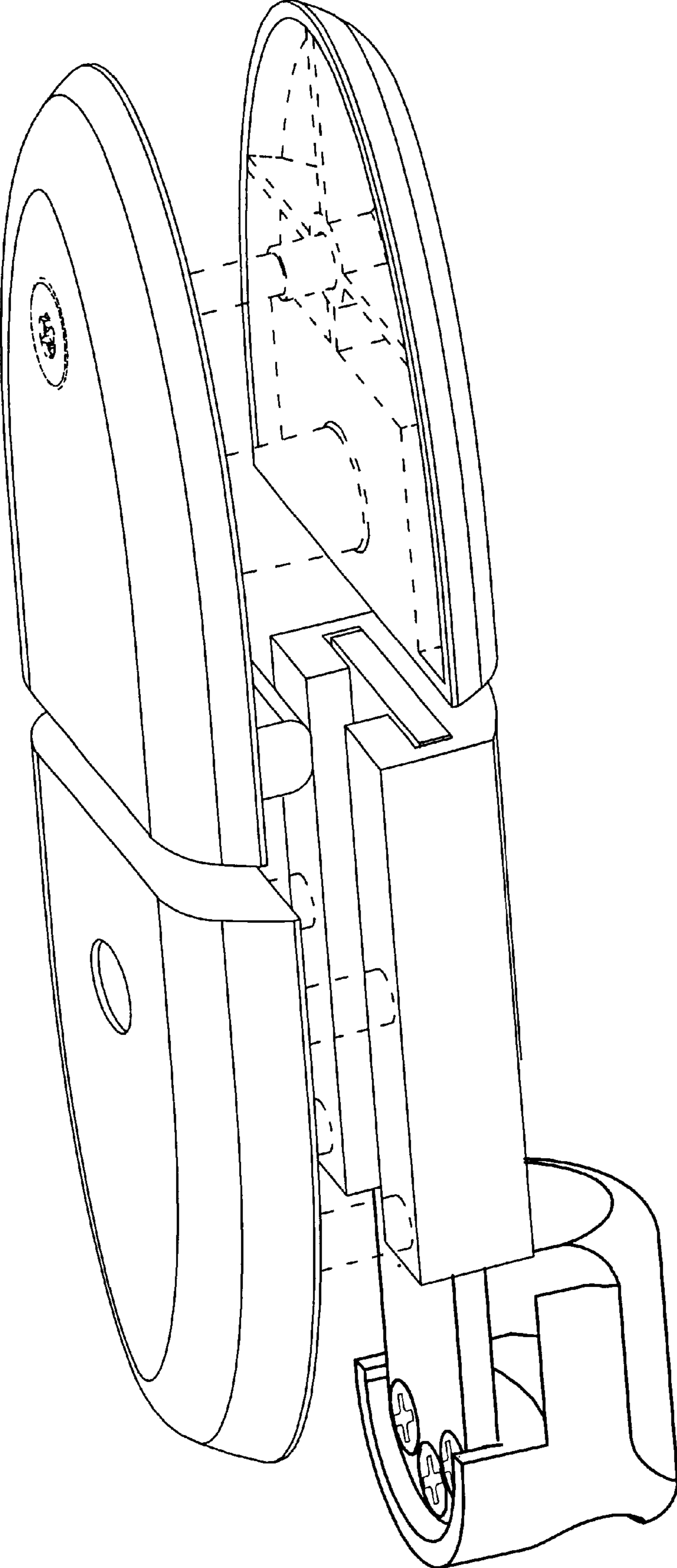


FIG.3

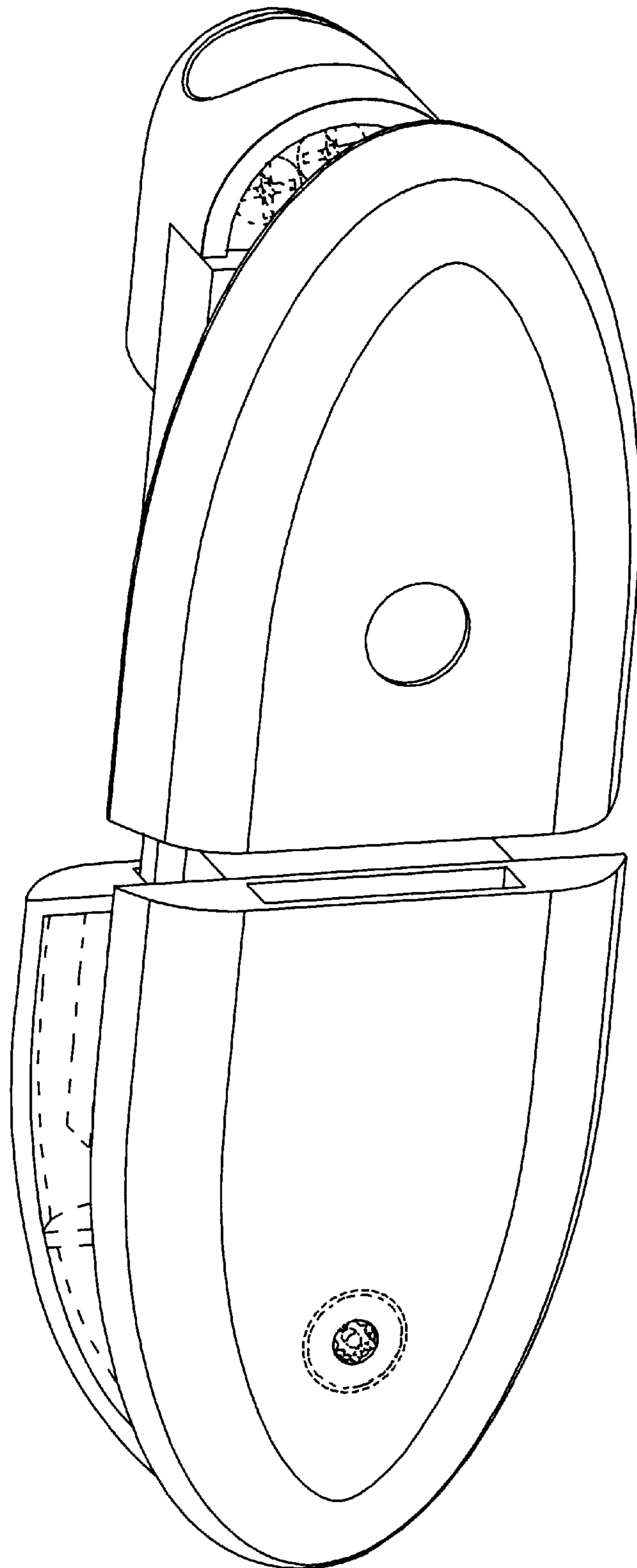


FIG. 4

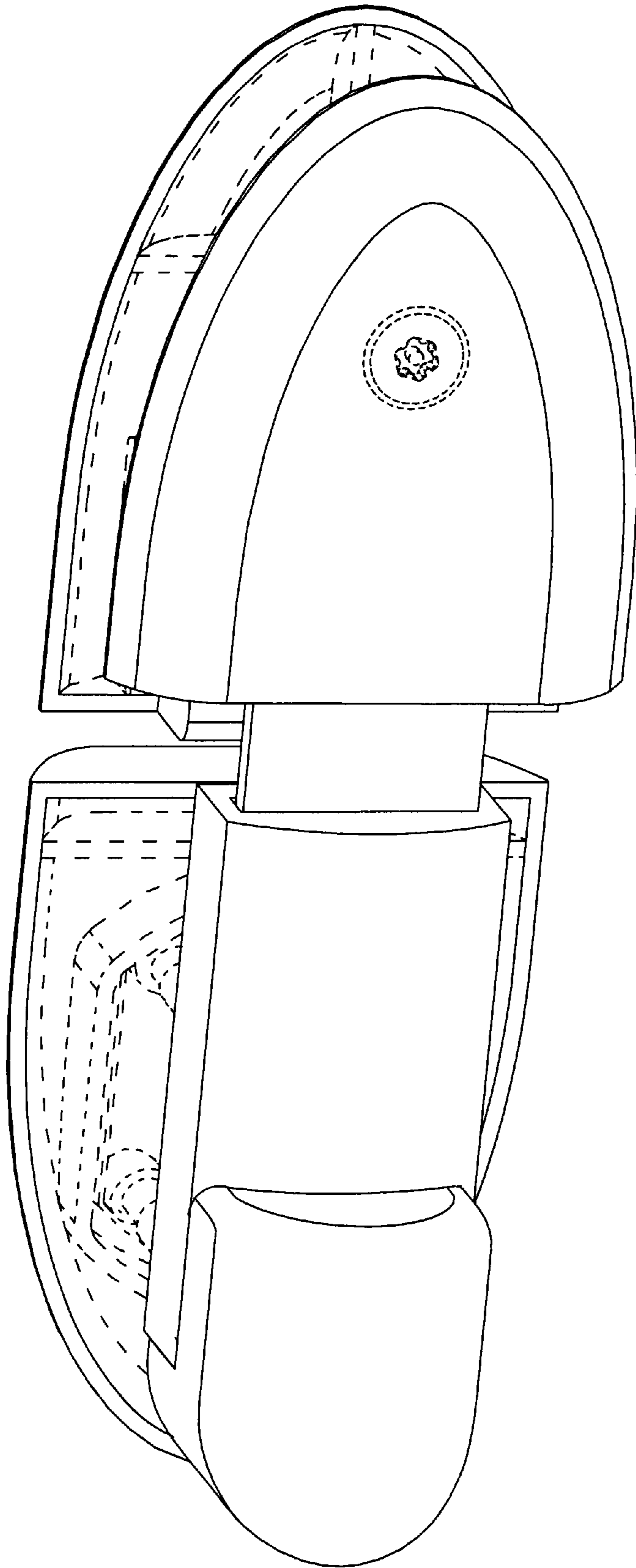


FIG.5

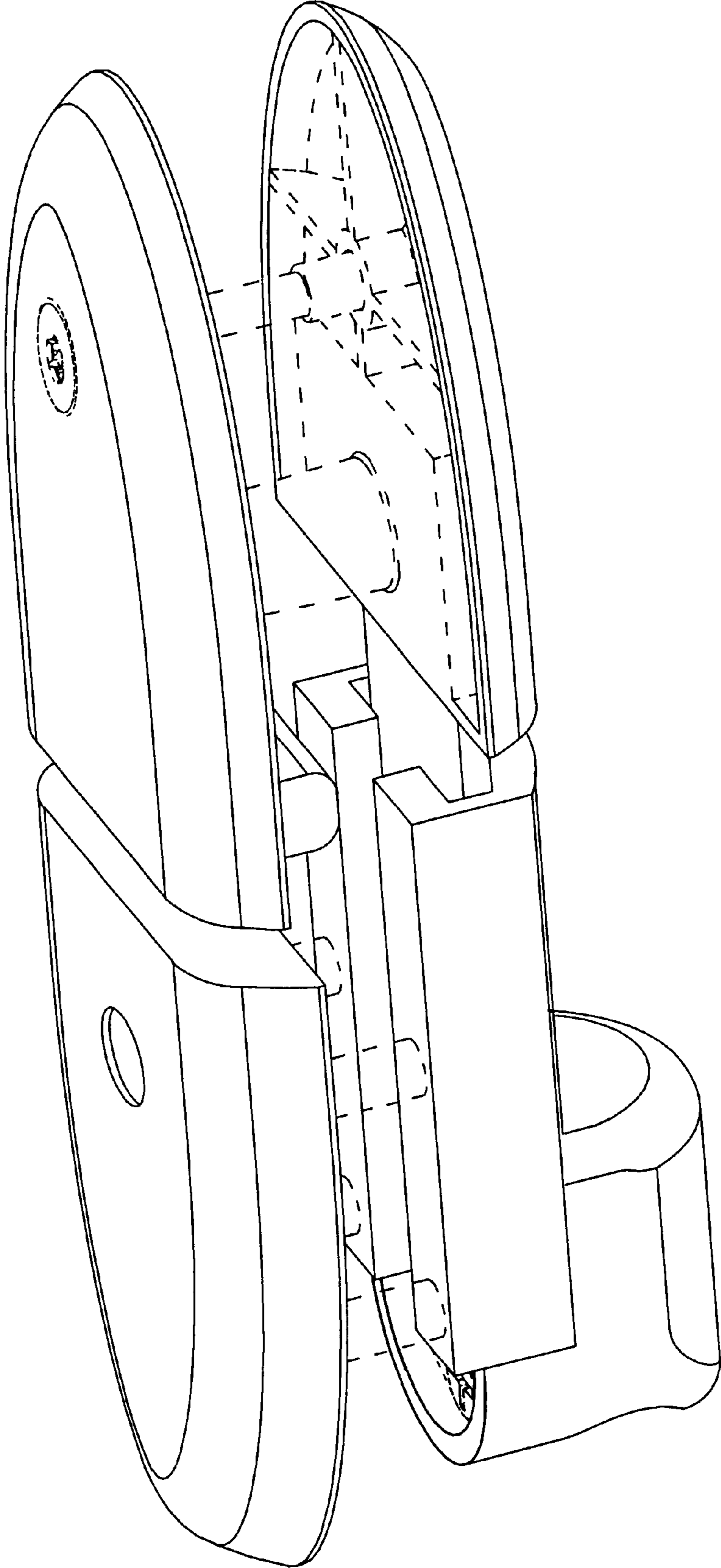


FIG.6