



US00D528898S

(12) **United States Design Patent**
Hu

(10) **Patent No.: US D528,898 S**

(45) **Date of Patent: ** *Sep. 26, 2006**

(54) **LEVER HANDLE**

(76) Inventor: **Xian Shan Hu**, No. 5, Xingfa Road,
Jidongyi, Xiaolan Town, Zhongshan
City, Guangdong Province (CN)

(*) Notice: This patent is subject to a terminal dis-
claimer.

(**) Term: **14 Years**

(21) Appl. No.: **29/233,200**

(22) Filed: **Jun. 30, 2005**

(51) **LOC (8) Cl.** **08-06**

(52) **U.S. Cl.** **D8/308**

(58) **Field of Classification Search** D8/300,
D8/303, 308, 321; D23/241, 250, 252; 4/675-678;
16/110.1; 292/347, 356, 357; 137/801
See application file for complete search history.

(56) **References Cited**

U.S. PATENT DOCUMENTS

1,787,988 A * 1/1931 Marple 292/357
D141,186 S * 5/1945 Stanitz D23/252

D260,478 S * 9/1981 Belaiche D8/308
D290,496 S * 6/1987 Ryan D23/252
D305,724 S * 1/1990 Mosch D8/308
D313,541 S * 1/1991 Thur D8/301
D332,824 S * 1/1993 Robbins D23/252
D365,384 S * 12/1995 Robbins D23/252
D404,470 S * 1/1999 Pitsch et al. D23/252
D438,775 S * 3/2001 Magnusson D8/308
D439,954 S * 4/2001 Spangler D23/250

* cited by examiner

Primary Examiner—Paula A. Greene

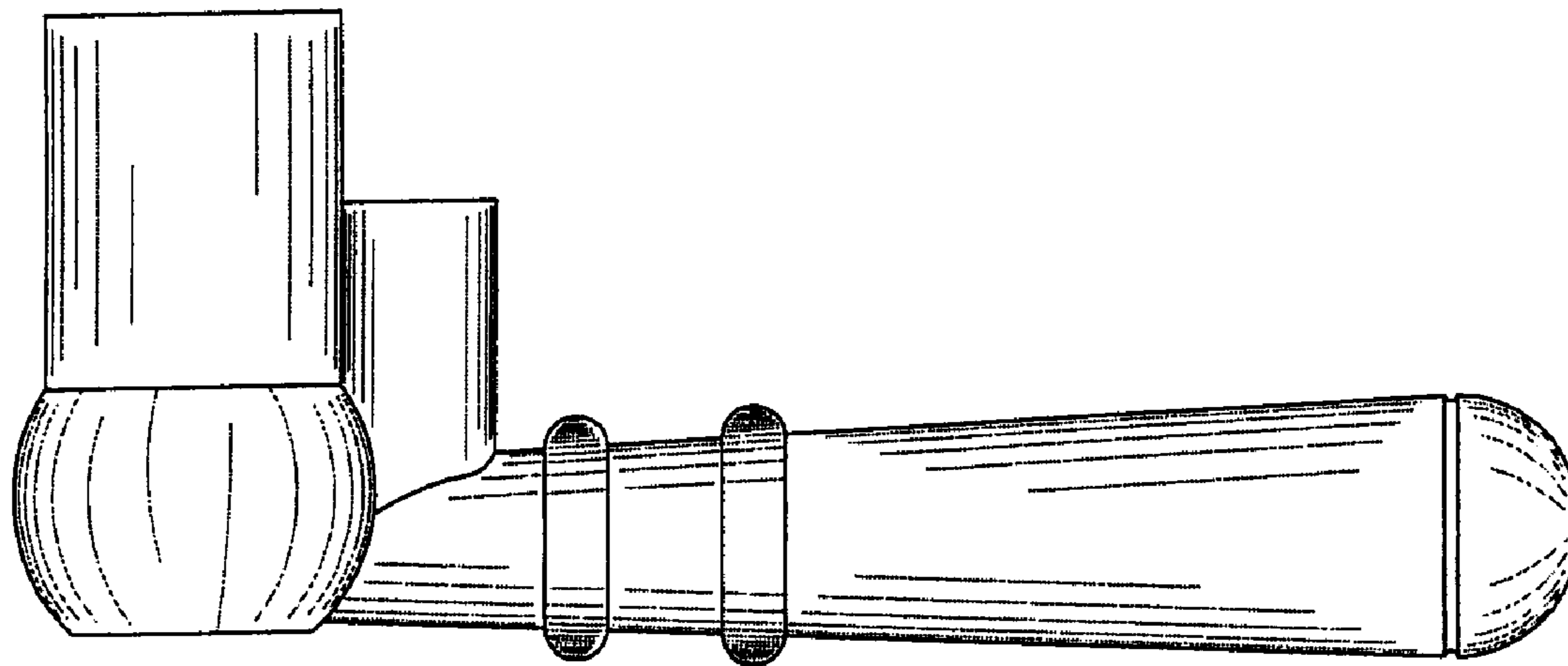
(57) **CLAIM**

The ornamental design for a lever handle, as shown.

DESCRIPTION

FIG. 1 is a front elevational view of a lever handle showing
my new design;
FIG. 2 is a rear elevational view thereof;
FIG. 3 is a left side view thereof;
FIG. 4 is a right side view thereof;
FIG. 5 is a top plan view thereof; and,
FIG. 6 is a bottom plan view thereof.

1 Claim, 3 Drawing Sheets



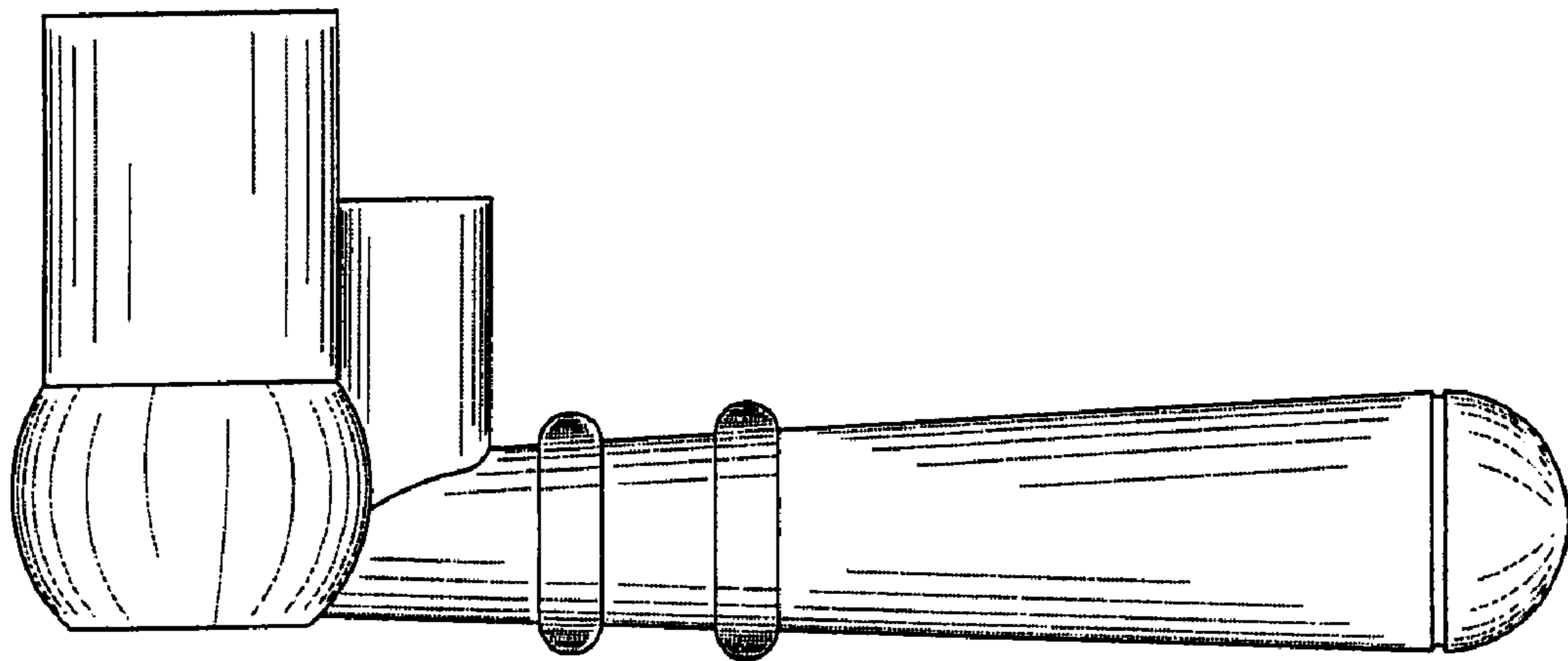


FIG. 1

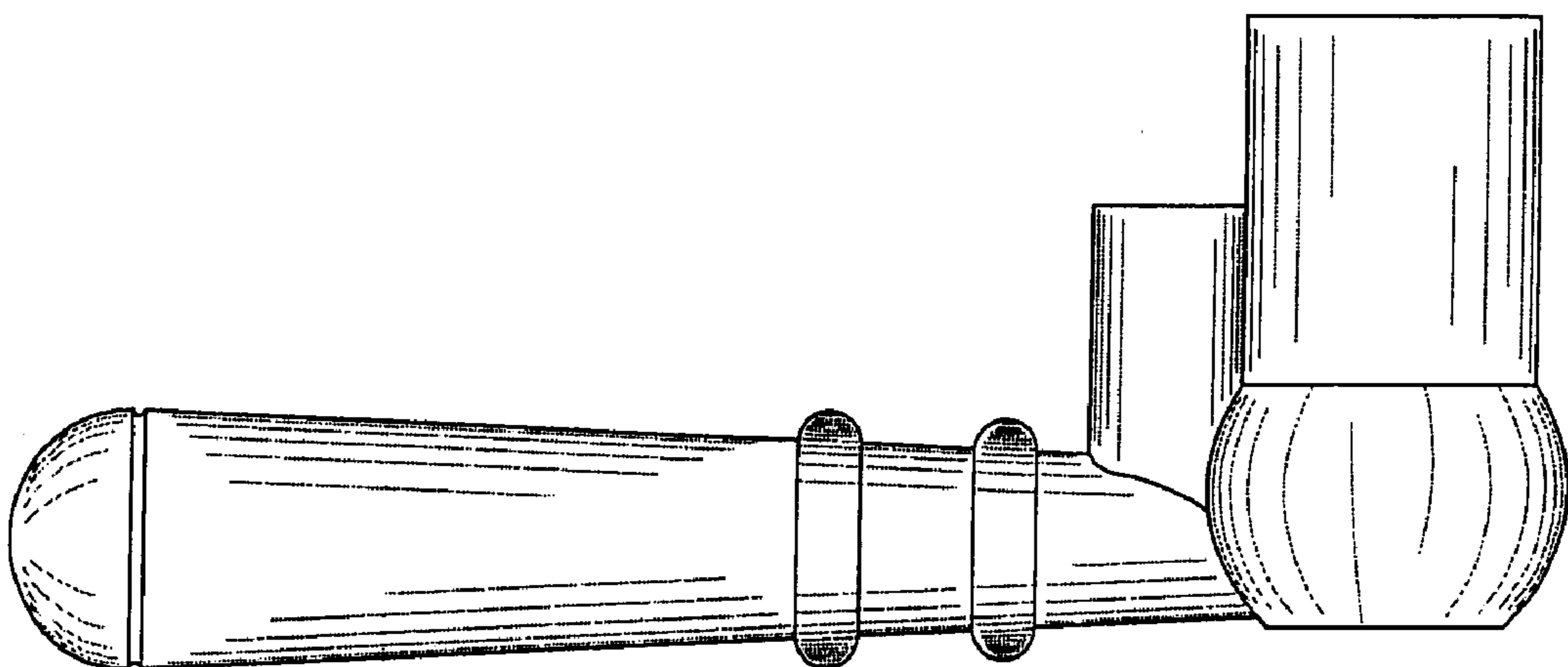


FIG. 2

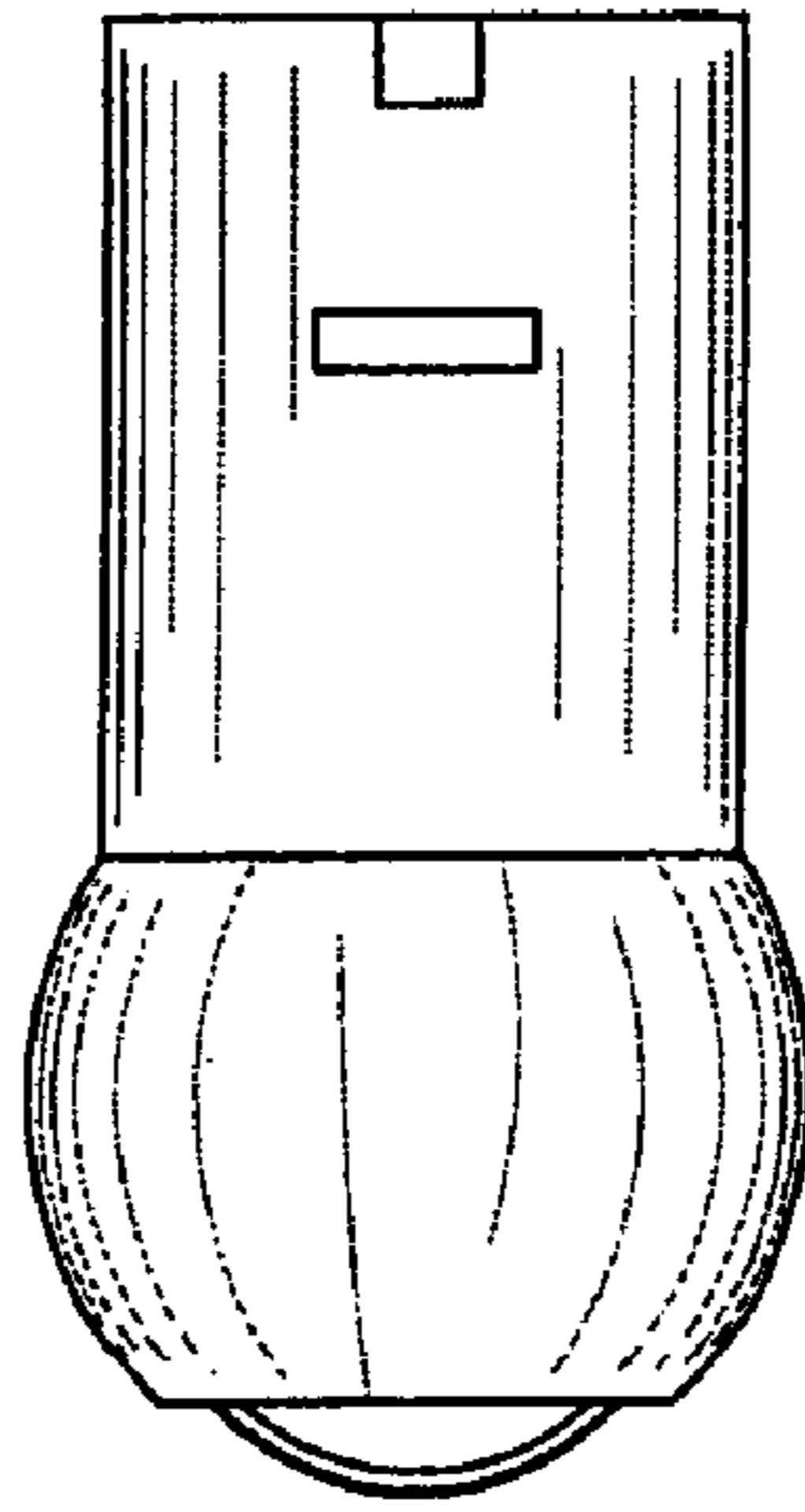


FIG. 3

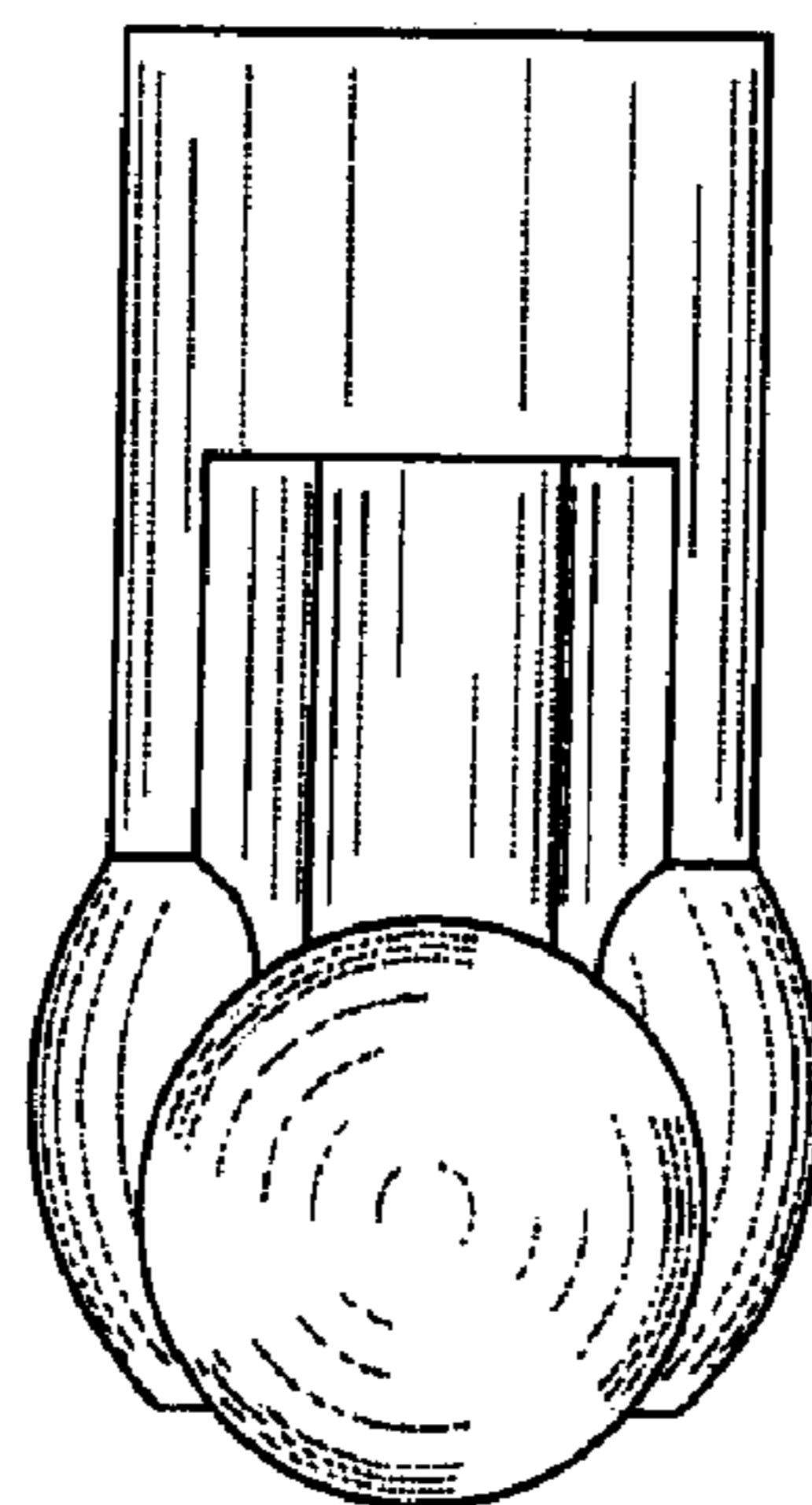


FIG. 4

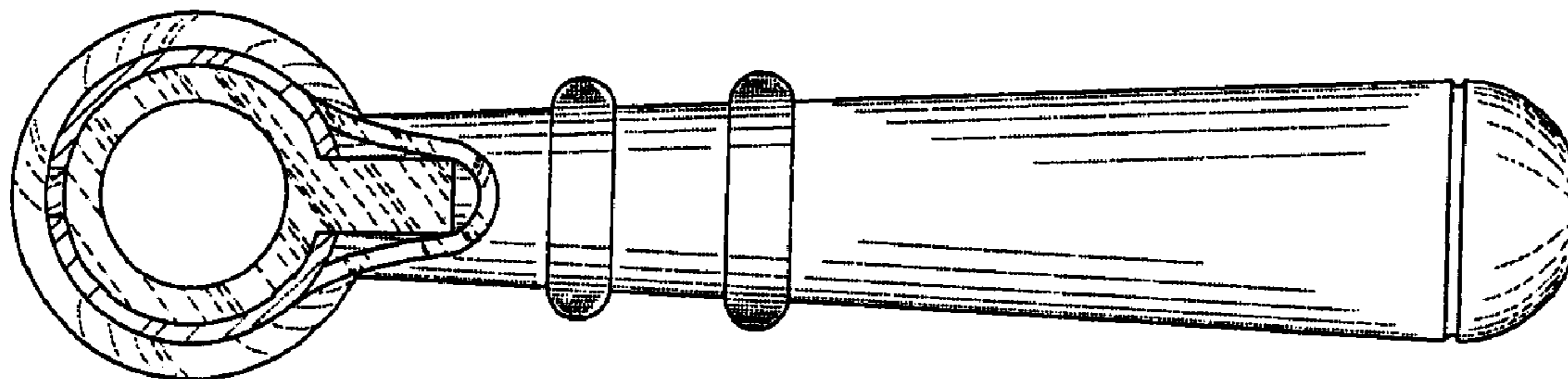


FIG. 5

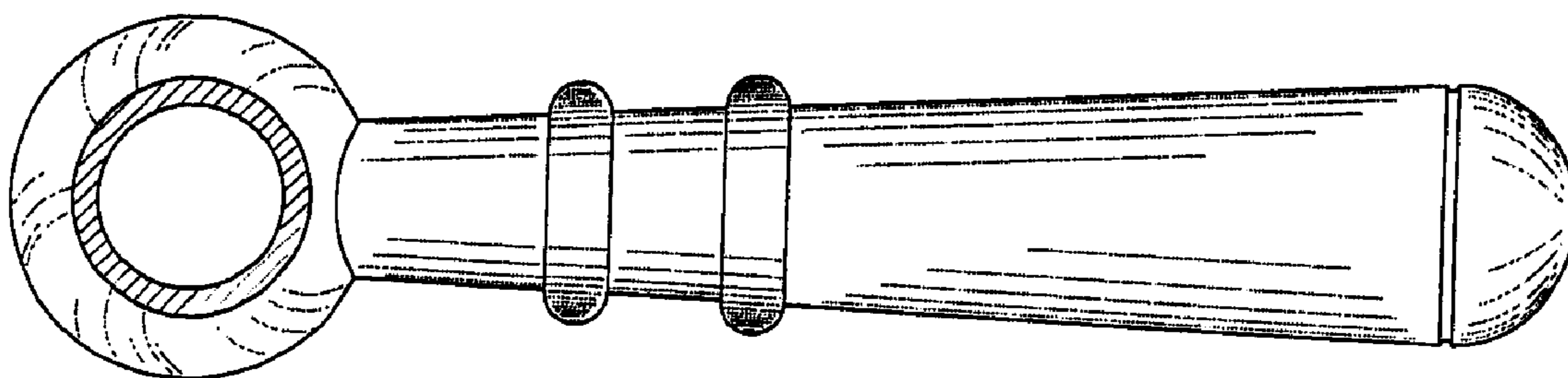


FIG. 6