

US00D528896S

(12) **United States Design Patent**
Chong

(10) **Patent No.:** **US D528,896 S**

(45) **Date of Patent:** **** Sep. 26, 2006**

(54) **CUTTER**

(75) Inventor: **Sing-Yuen Chong**, Hong Kong (CN)

(73) Assignee: **Tung Hing Products Company Limited**, Hong Kong (CN)

(**) Term: **14 Years**

(21) Appl. No.: **29/237,634**

(22) Filed: **Sep. 2, 2005**

(30) **Foreign Application Priority Data**

Mar. 8, 2005 (HK) 0500452

(51) **LOC (8) Cl.** **08-03**

(52) **U.S. Cl.** **D8/99**

(58) **Field of Classification Search** D8/98,
D8/99; 30/162, 335, 337, 329, 320
See application file for complete search history.

(56) **References Cited**

U.S. PATENT DOCUMENTS

4,226,020 A * 10/1980 Quenot et al. 30/162
D412,654 S * 8/1999 Gilbert et al. D8/99
D412,655 S * 8/1999 Gilbert et al. D8/99

D442,054 S * 5/2001 Okada et al. D8/99
D453,673 S * 2/2002 Chen D8/99
D458,106 S * 6/2002 Chong D8/99
D459,189 S * 6/2002 Chong D8/99
D464,552 S * 10/2002 Jacquet D8/99

* cited by examiner

Primary Examiner—Philip S. Hyder

(74) *Attorney, Agent, or Firm*—Alix, Yale & Ristas, LLP

(57) **CLAIM**

The ornamental design for a cutter, as shown and described.

DESCRIPTION

FIG. 1 is a front perspective view of a cutter showing my new design;

FIG. 2 is a front elevational view thereof;

FIG. 3 is a left side elevational view thereof;

FIG. 4 is a right side elevational view thereof;

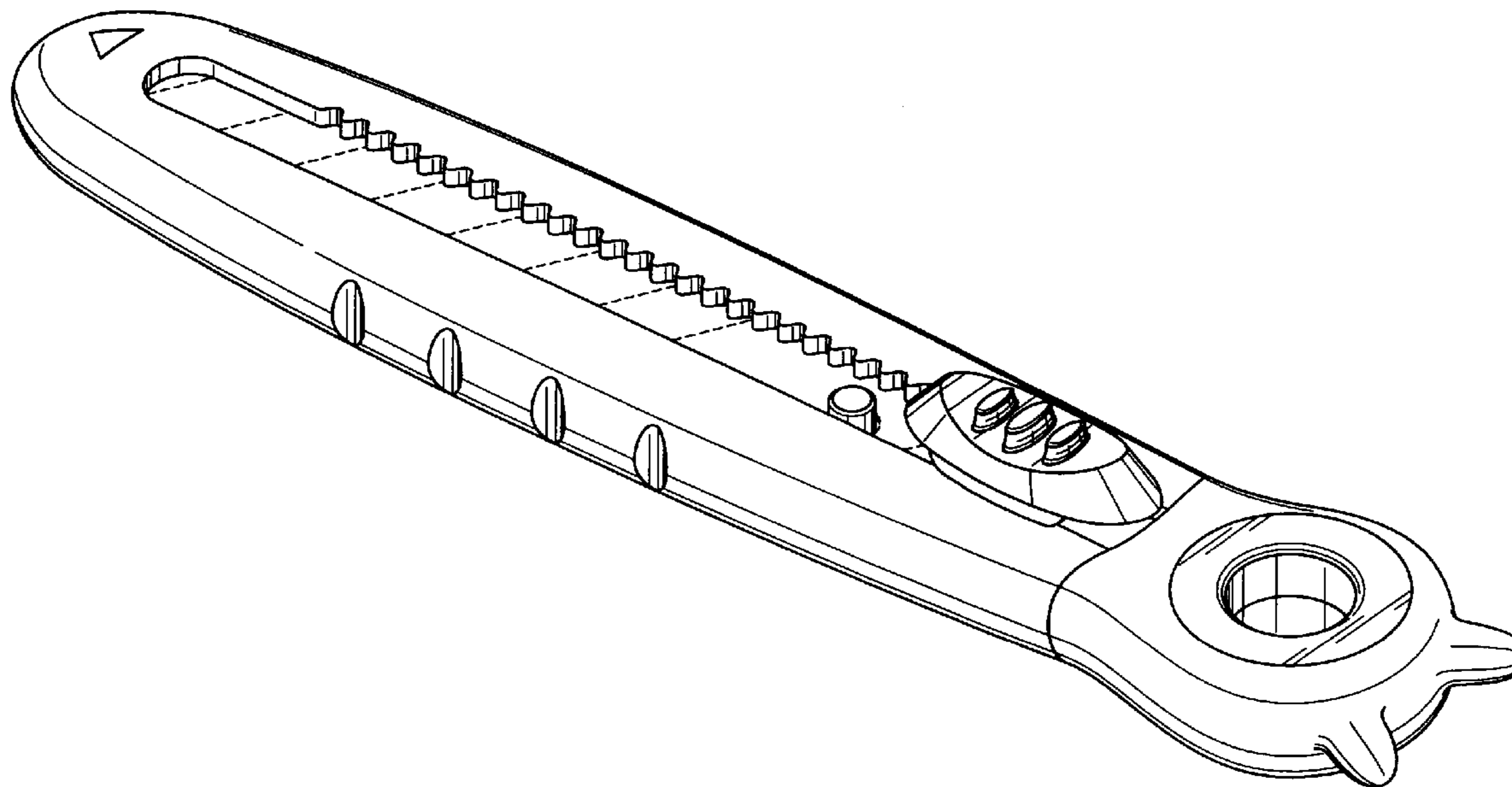
FIG. 5 is a rear elevational view thereof;

FIG. 6 is a top plan view thereof; and,

FIG. 7 is a bottom plan view thereof.

The broken line portions of the disclosure are for illustrative purposes only and form no part of the claimed design.

1 Claim, 2 Drawing Sheets



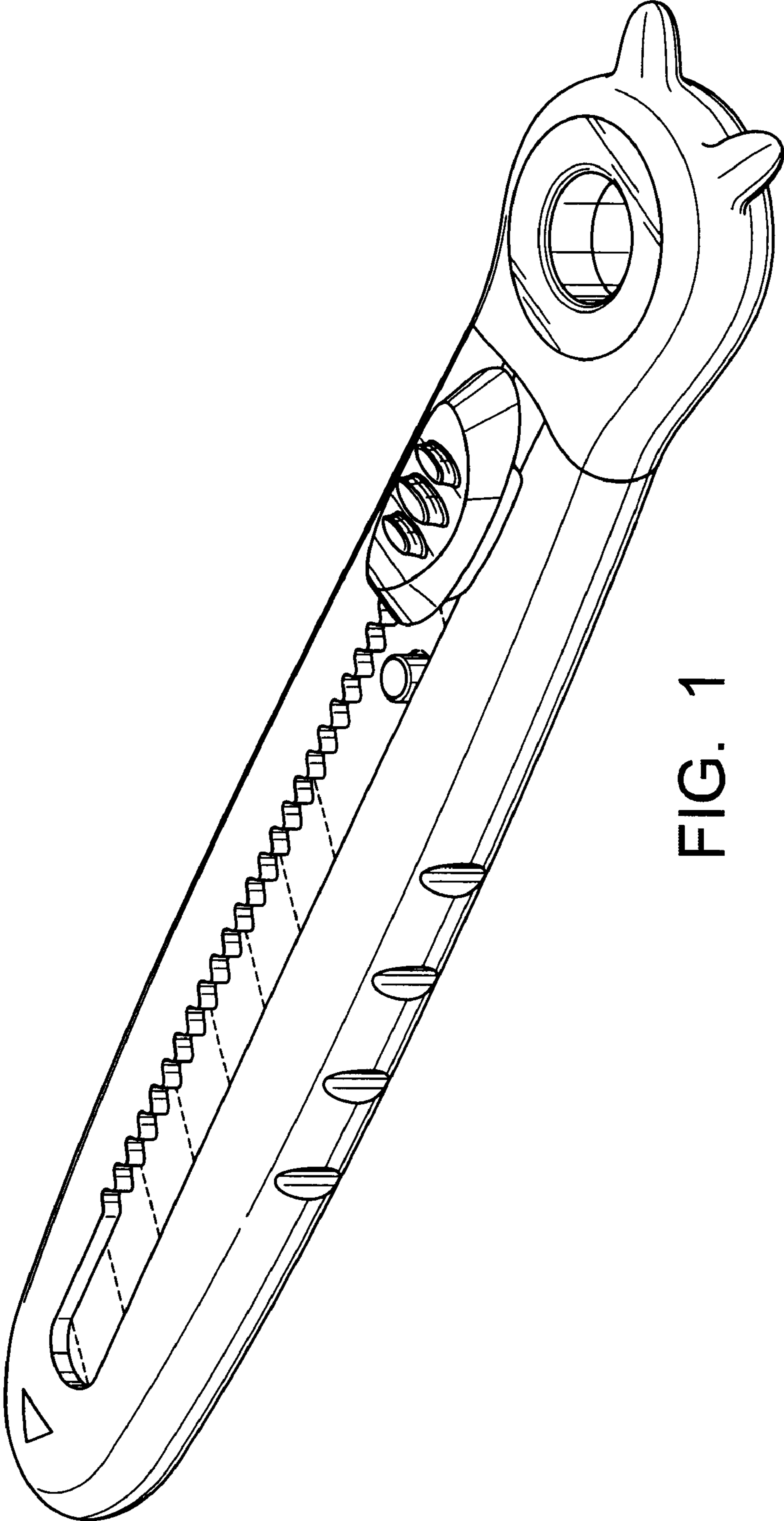


FIG. 1

FIG. 6

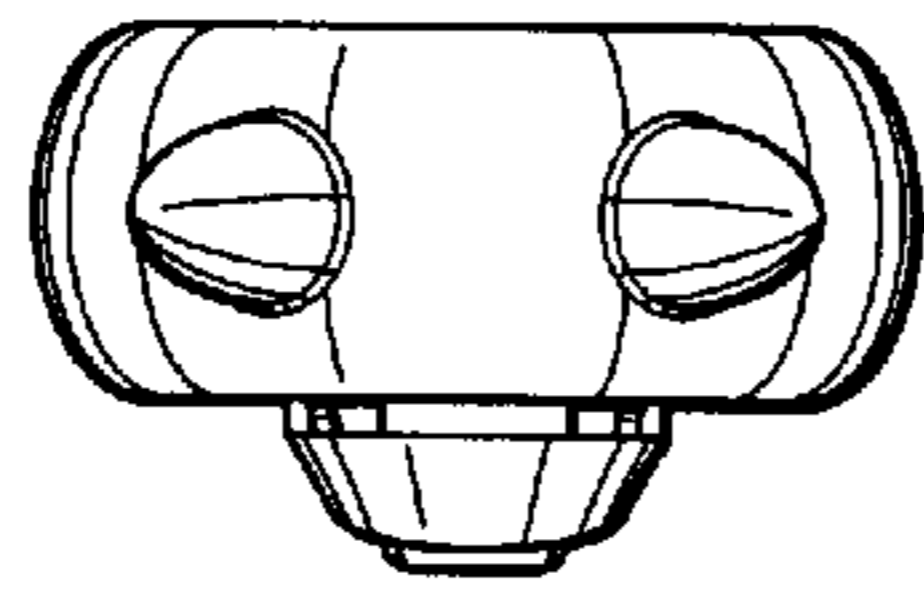


FIG. 7

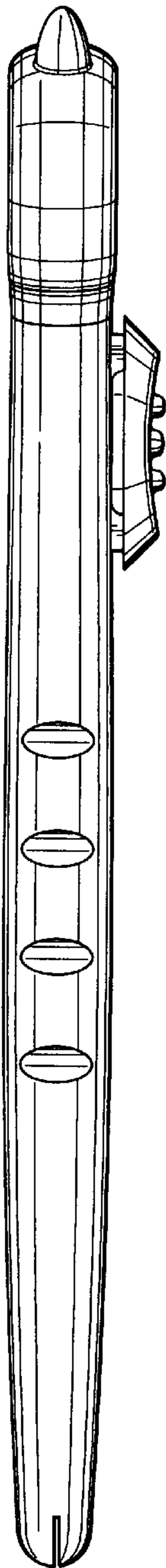
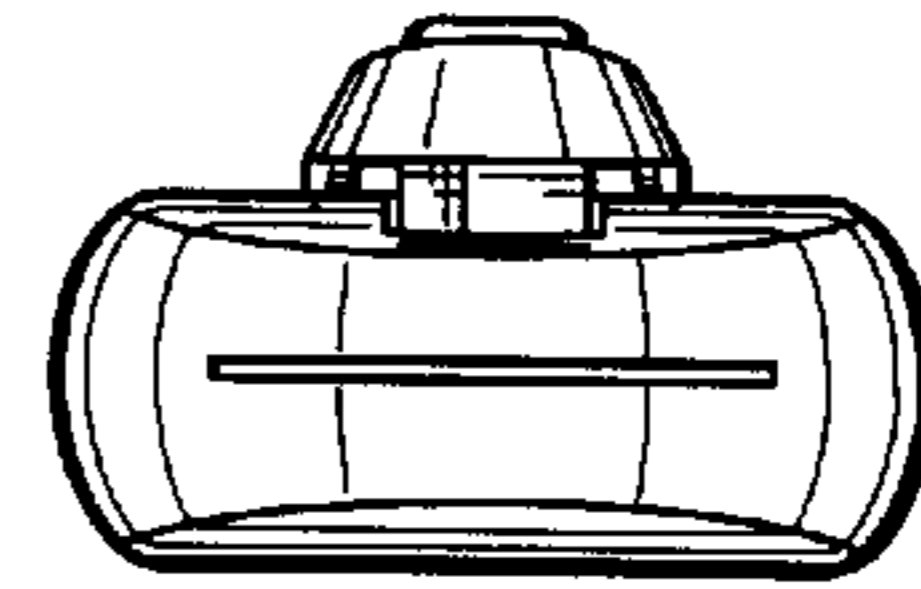


FIG. 3

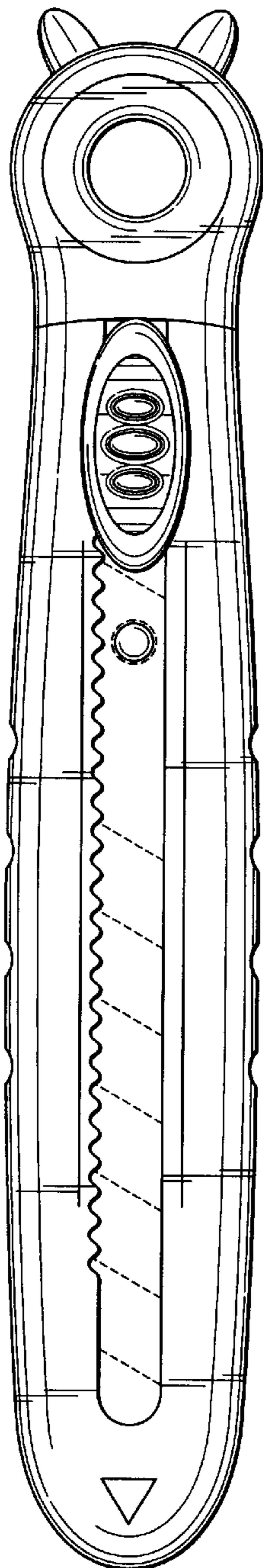


FIG. 2

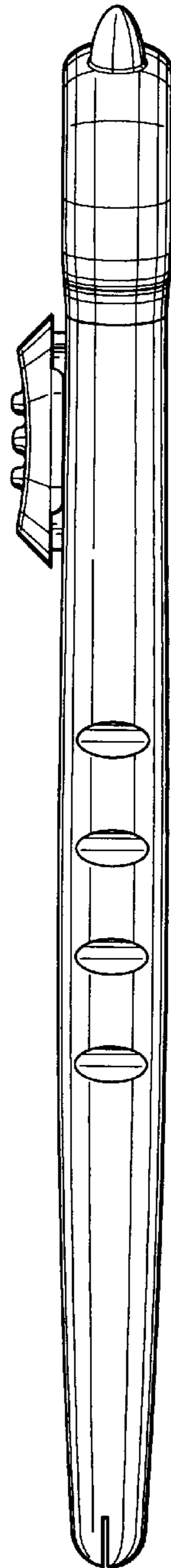


FIG. 4

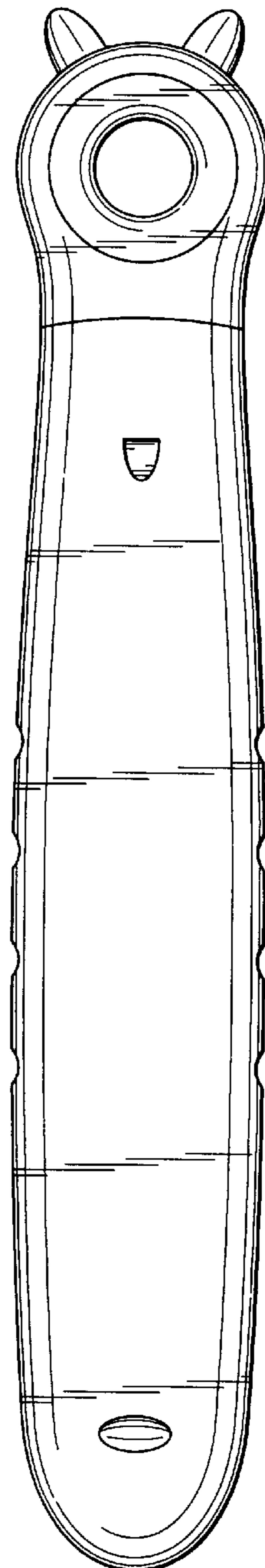


FIG. 5