



US00D528894S

(12) **United States Design Patent** (10) **Patent No.:** **US D528,894 S**
Ping (45) **Date of Patent:** **** *Sep. 26, 2006**

(54) **FOLDABLE KNIFE HANDLE**
(75) Inventor: **Qiu Jian Ping**, Hangzhou (CN)
(73) Assignee: **Great Neck Saw Manufacturers, Inc.**,
Mineola, NY (US)

4,040,181 A 8/1977 Johnson
4,261,104 A 4/1981 Cuscovitch
4,347,665 A 9/1982 Glesser
4,442,600 A 4/1984 Felix-Salichow
4,570,341 A 2/1986 Konneker
4,604,805 A 8/1986 Krieger
4,665,615 A 5/1987 Martinez

(*) Notice: This patent is subject to a terminal disclaimer.

(Continued)

(**) Term: **14 Years**

FOREIGN PATENT DOCUMENTS

(21) Appl. No.: **29/214,230**

CN 02-2-88379.7 12/2002
CN 200420008852.7 3/2004
CN 200420008854.6 3/2004
CN 200420020589.3 3/2004
CN 200420020590.6 3/2004
CN 200420020591.0 3/2004
WO WO90086633 8/1990

(22) Filed: **Sep. 29, 2004**

(51) **LOC (8) Cl.** **08-03**

(52) **U.S. Cl.** **D8/99**

(58) **Field of Classification Search** D8/98,
D8/99, 100, 105, 107; 30/155, 156, 157,
30/158, 159, 160, 161, 162, 330

Primary Examiner—Philip S. Hyder
(74) *Attorney, Agent, or Firm*—Joseph J. Previto

See application file for complete search history.

(57) **CLAIM**

(56) **References Cited**

The ornamental design of a foldable knife handle, as shown and described.

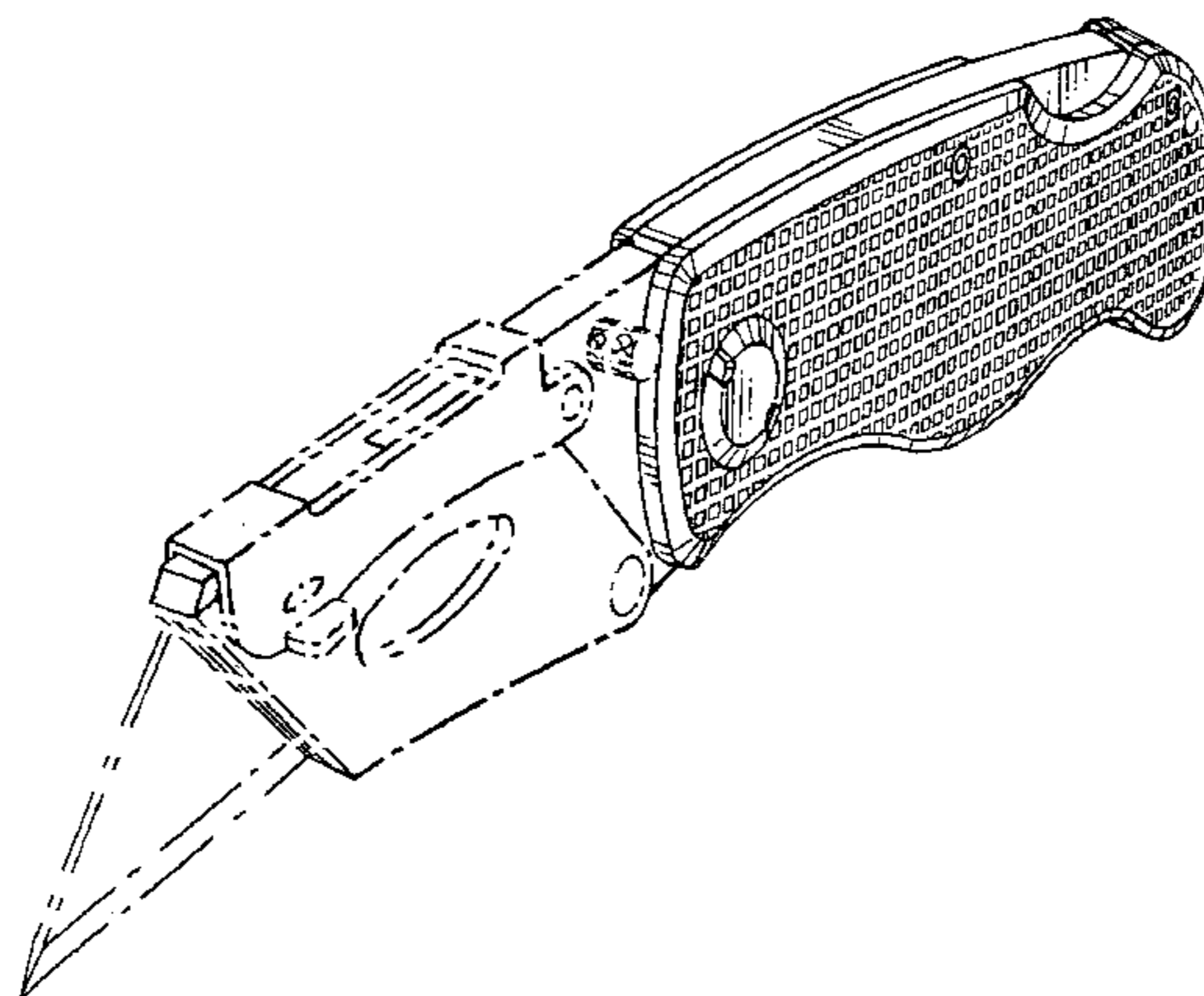
U.S. PATENT DOCUMENTS

DESCRIPTION

97,154 A 11/1869 Barnard
493,075 A 3/1893 Evertz
515,045 A 2/1894 Bultzingslowen
584,077 A 6/1897 Jackson
596,096 A 12/1897 Watts
988,068 A 3/1911 Beardsley
1,362,142 A 12/1920 Rohrer
1,444,324 A 2/1923 Brooks
1,706,251 A 3/1929 Perry
1,750,517 A 3/1930 DeBracht
1,750,577 A 3/1930 DeBracht
2,134,973 A 11/1938 Harwell
2,265,775 A 12/1941 McNamara
2,284,128 A 5/1942 Bush
2,523,575 A 9/1950 Kassel
2,914,850 A 12/1959 Kuhn
2,980,996 A 4/1961 Beran
3,306,297 A 2/1967 Voorhees
3,568,315 A 3/1971 Smith
3,593,417 A 7/1971 West
3,872,591 A 3/1975 Quenot
4,017,969 A 4/1977 Stonebraker

FIG. 1 is a perspective view of my new design.
FIG. 2 is a top view thereof.
FIG. 3 is a side view thereof.
FIG. 4 is a front view thereof.
FIG. 5 is a rear view thereof.
FIG. 6 is a bottom view thereof.
FIG. 7 is another side view thereof.
FIG. 8 is a side view of the foldable knife handle with the broken line showing the blade holder apparatus in a partially folded position; and,
FIG. 9 is a side view of the foldable knife handle with the broken line showing the blade holder apparatus in a fully foldable position.
The broken lines showing the blade holder apparatus is for illustrative purposes only and forms no part of the claimed design.

1 Claim, 4 Drawing Sheets



US D528,894 S

Page 2

U.S. PATENT DOCUMENTS					
4,669,188	A	6/1987 Evrell	5,983,506	A	* 11/1999 Glesser 30/340
4,719,700	A	1/1988 Taylor, Jr.	D436,014	S	* 1/2001 Glesser D8/99
4,805,303	A	2/1989 Gibbs	6,170,104	B1	1/2001 Seber
4,811,486	A	3/1989 Cunningham	6,170,158	B1	1/2001 Daily
4,920,644	A	5/1990 LaGattuta	6,256,887	B1	7/2001 Osborne
4,936,014	A	6/1990 Shaanan et al.	6,256,888	B1	7/2001 Shuen
5,044,079	A	9/1991 Gibbs	6,263,581	B1	7/2001 Forte
5,060,379	A	* 10/1991 Neely 30/161	6,354,007	B1	3/2002 Scarla
5,095,624	A	3/1992 Ennis	6,370,778	B1	4/2002 Conable
5,125,157	A	6/1992 Howard	6,446,341	B1	9/2002 Wang
5,400,509	A	3/1995 Collins	6,487,740	B1	12/2002 Seber
5,511,310	A	4/1996 Sessions	6,574,868	B1	6/2003 Overholt
D385,173	S	* 10/1997 McWillis D8/99	6,688,003	B1	2/2004 Scarla
5,769,094	A	6/1998 Jenkins, Jr.	D494,437	S	* 8/2004 Scarla D8/99
5,815,927	A	10/1998 Collins	D495,939	S	9/2004 Ping
5,826,340	A	10/1998 Hull	2002/0059730	A1	5/2002 Flavigny
5,909,930	A	6/1999 Ragland	2004/0020057	A1	2/2004 Hughes
D412,275	S	* 7/1999 Collins D8/99	2004/0020058	A1	* 2/2004 Vallotton 30/160
5,966,816	A	10/1999 Roberson	2004/0045171	A1	3/2004 Moizis
5,979,059	A	11/1999 Leatherman	2004/0103541	A1	6/2004 Scarla

* cited by examiner

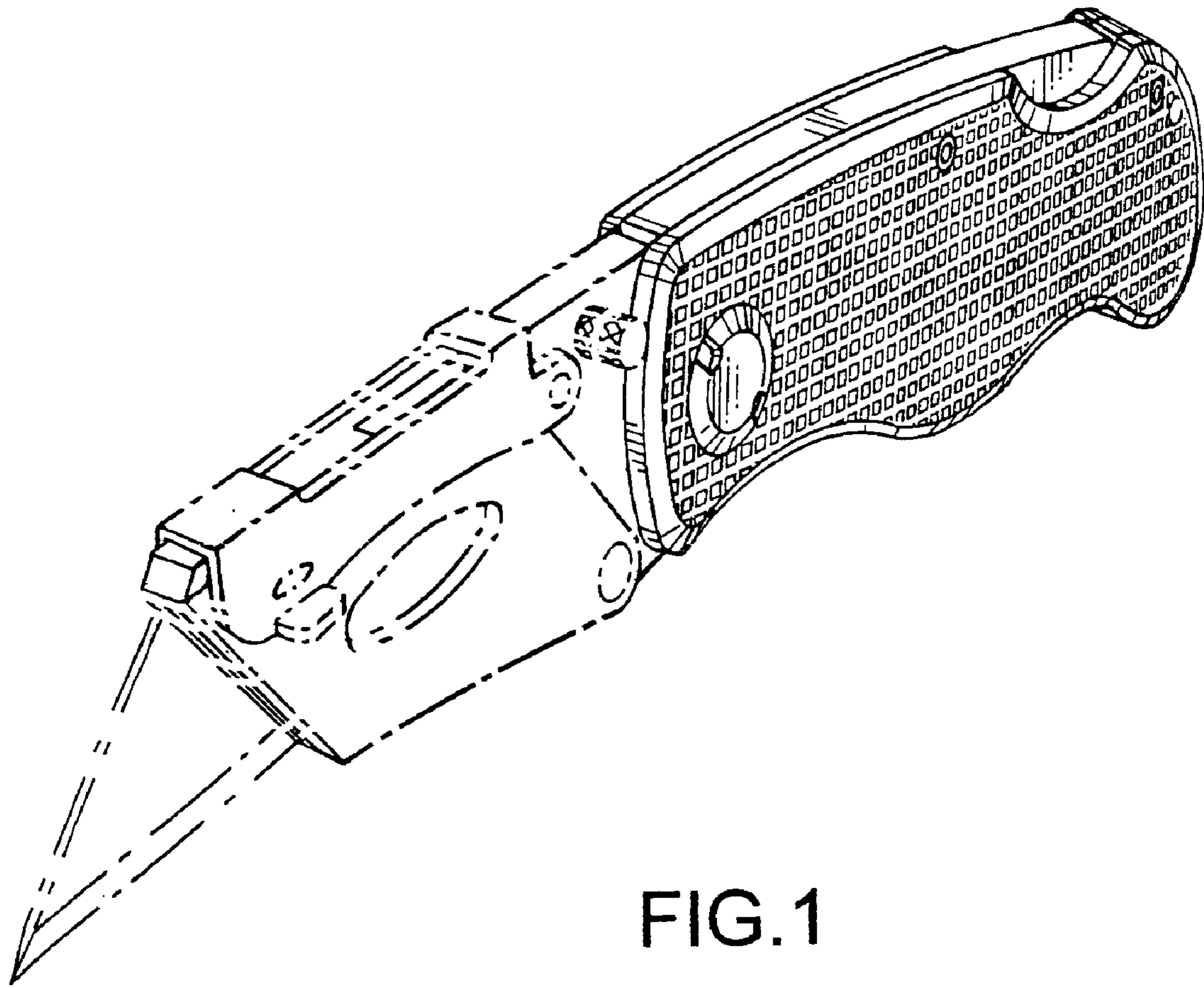


FIG. 1

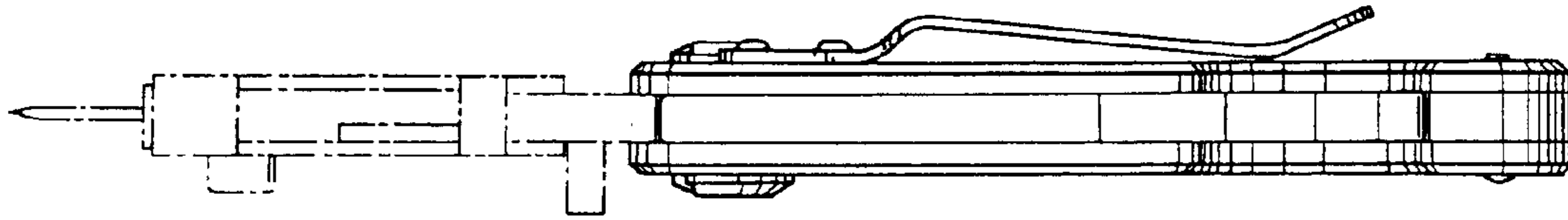


FIG. 2

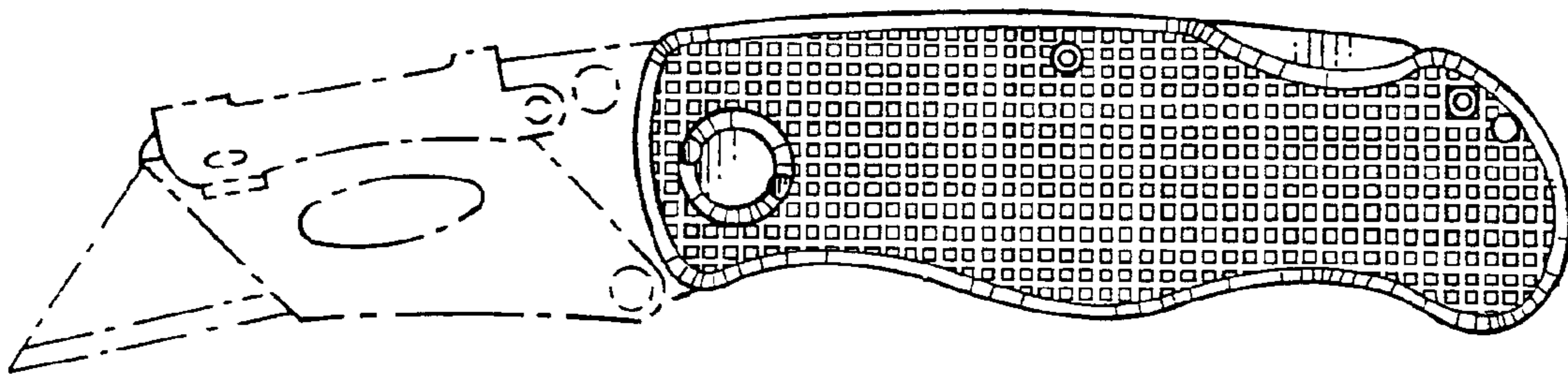


FIG. 3

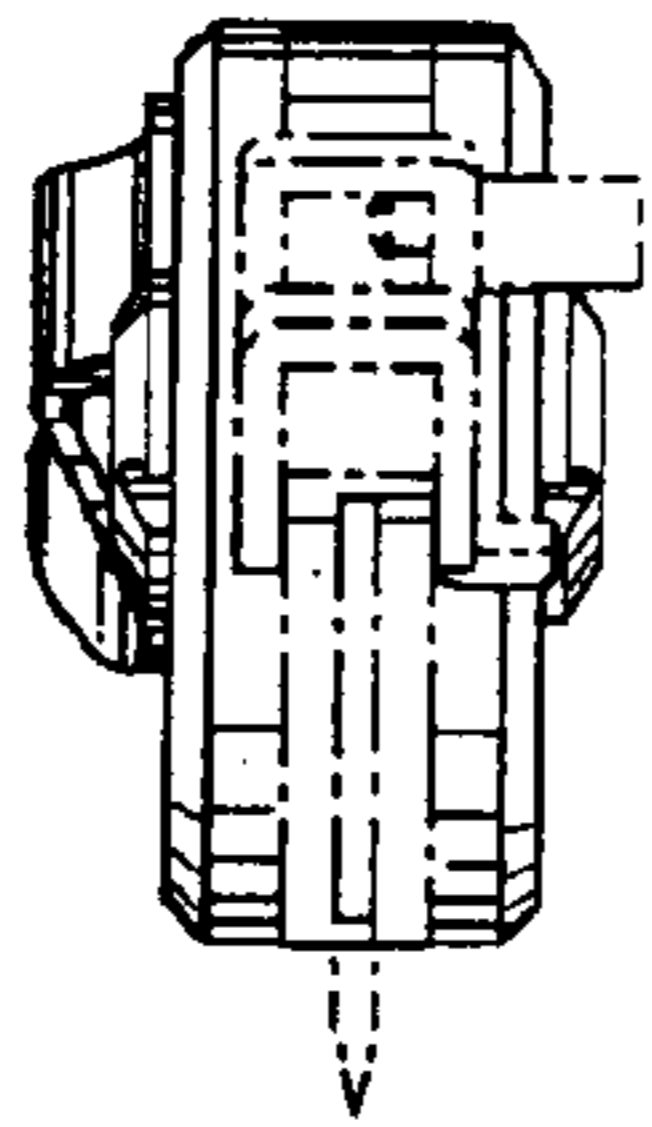


FIG. 4

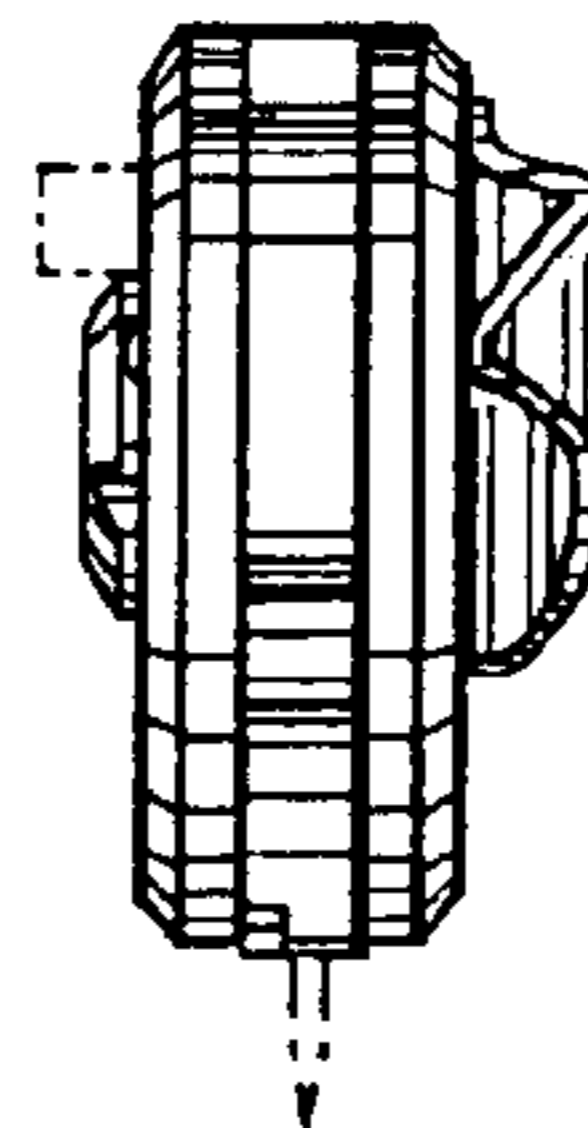


FIG. 5

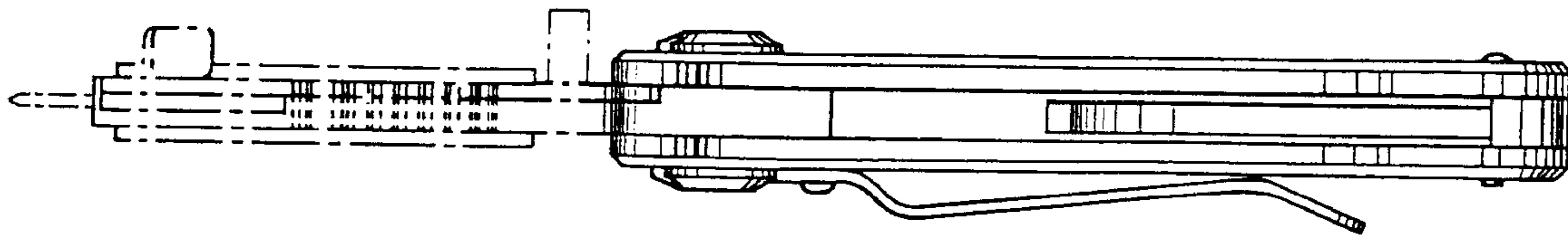


FIG. 6

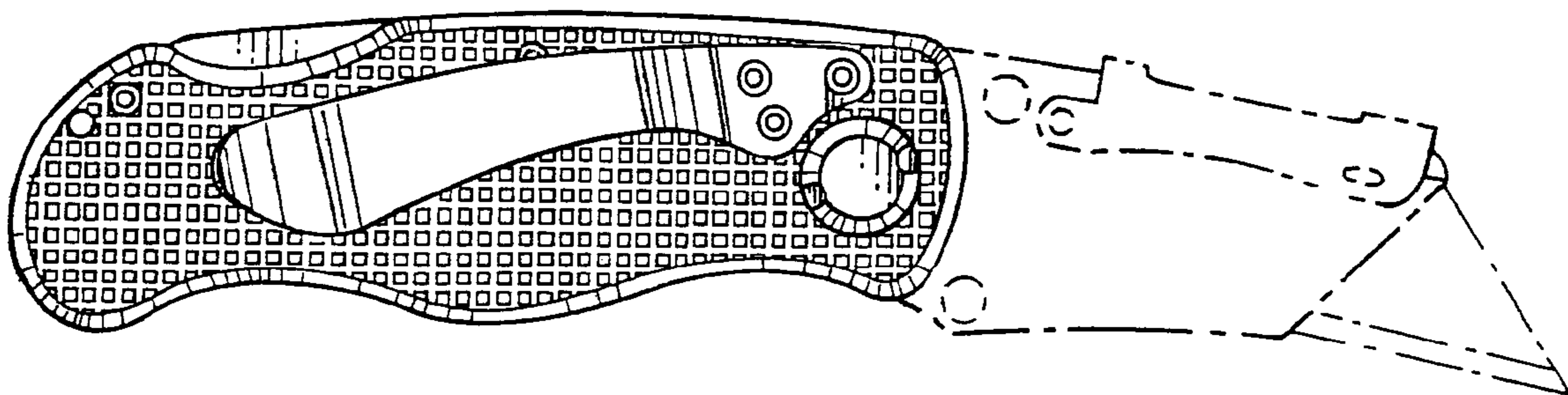


FIG. 7

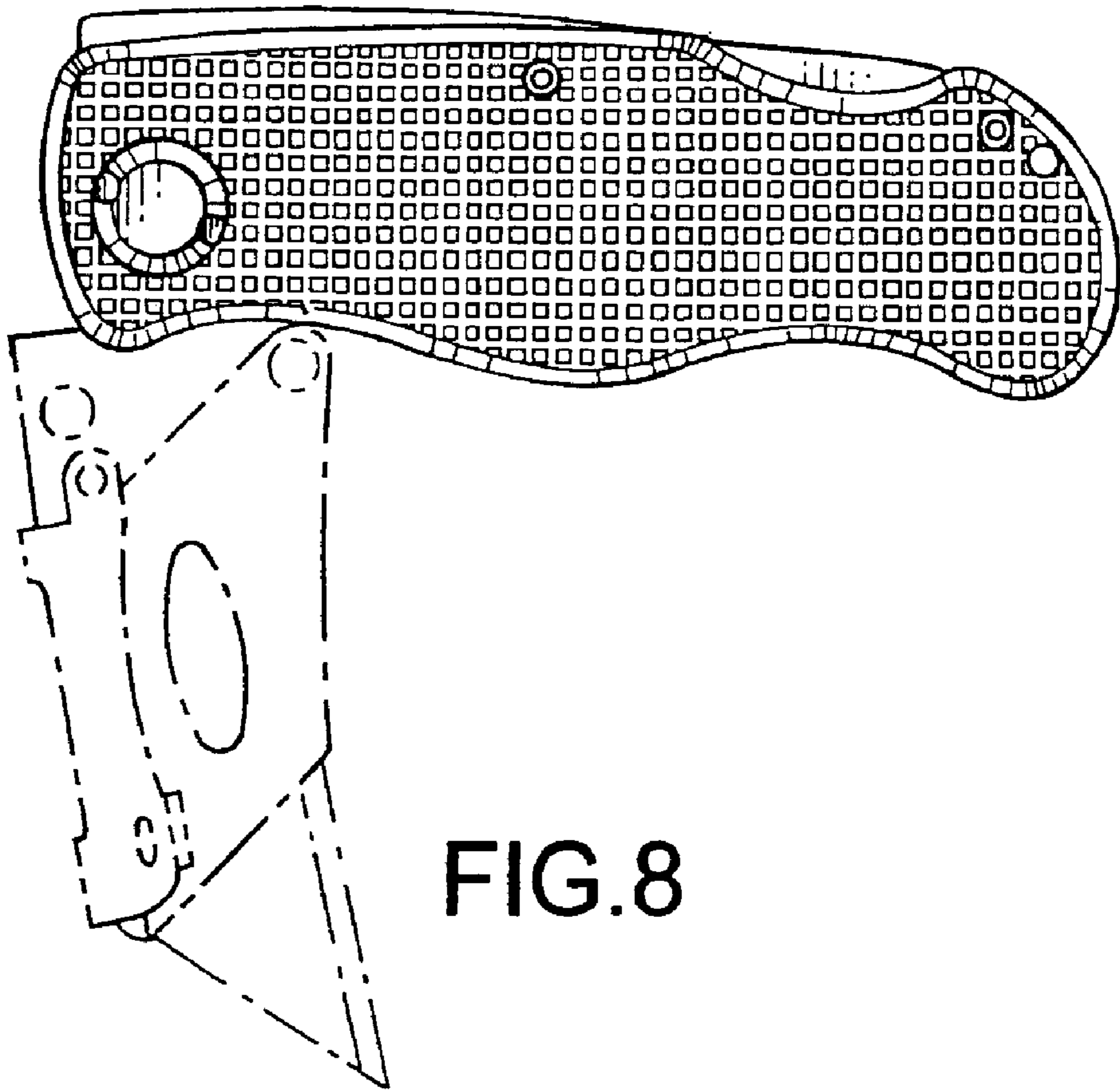


FIG. 8

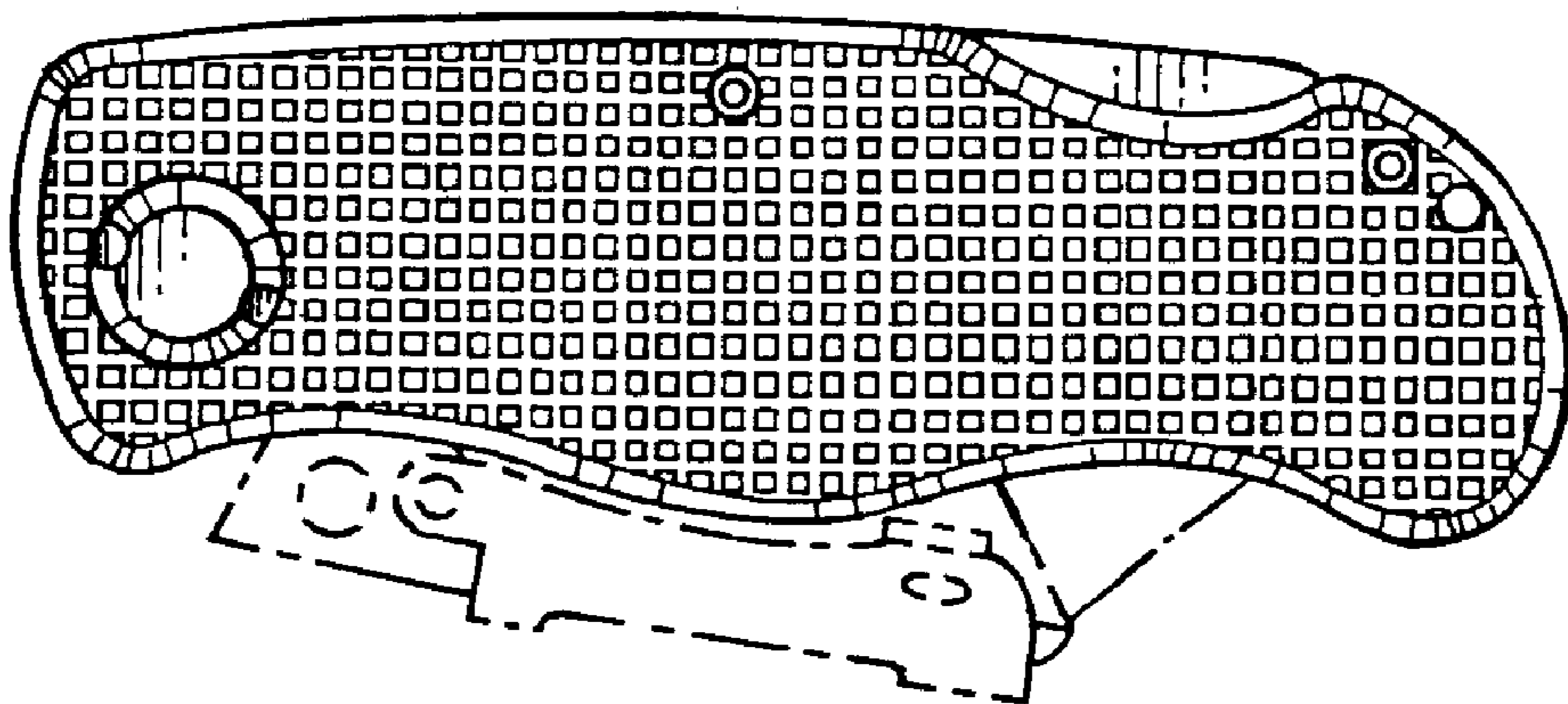


FIG. 9