



US00D528893S

(12) **United States Design Patent**
Budd

(10) **Patent No.:** **US D528,893 S**

(45) **Date of Patent:** **** Sep. 26, 2006**

(54) **KNIFE WITH THREE PARALLEL BLADES**

(76) Inventor: **Donald Budd**, 428 Palsted Ave.,
Westfield, NJ (US) 07090

(**) Term: **14 Years**

(21) Appl. No.: **29/226,452**

(22) Filed: **Mar. 29, 2005**

(51) **LOC (8) Cl.** **03-01**

(52) **U.S. Cl.** **D8/98; D22/118**

(58) **Field of Classification Search** D8/98,
D8/99, 100; D7/693; D22/118; 30/152, 154,
30/304, 305, 299

See application file for complete search history.

(56) **References Cited**

U.S. PATENT DOCUMENTS

- 2,448,383 A * 8/1948 Mathaus 30/304
- 4,096,629 A * 6/1978 Levine 30/152
- 4,472,879 A * 9/1984 Sizemore, Jr. 30/304

- 4,969,267 A * 11/1990 Anenberg 30/304
- D342,000 S * 12/1993 Diotte D7/693
- 5,680,705 A * 10/1997 Josoha 30/304

* cited by examiner

Primary Examiner—Philip S. Hyder

(74) *Attorney, Agent, or Firm*—Walter J. Tencza, Jr.

(57) **CLAIM**

I claim the ornamental design for a knife with three parallel blades, as shown and described.

DESCRIPTION

FIG. 1 is a top front perspective view showing the knife with three parallel blades of an embodiment of the present invention, with the three blades being parallel, of equal length, and identical or substantially identical to each other; FIG. 2 is a bottom rear perspective view of the knife with three parallel blades of FIG. 1; and, FIG. 3 is a top view of the knife with three parallel blades of FIGS. 1 and 2.

1 Claim, 3 Drawing Sheets

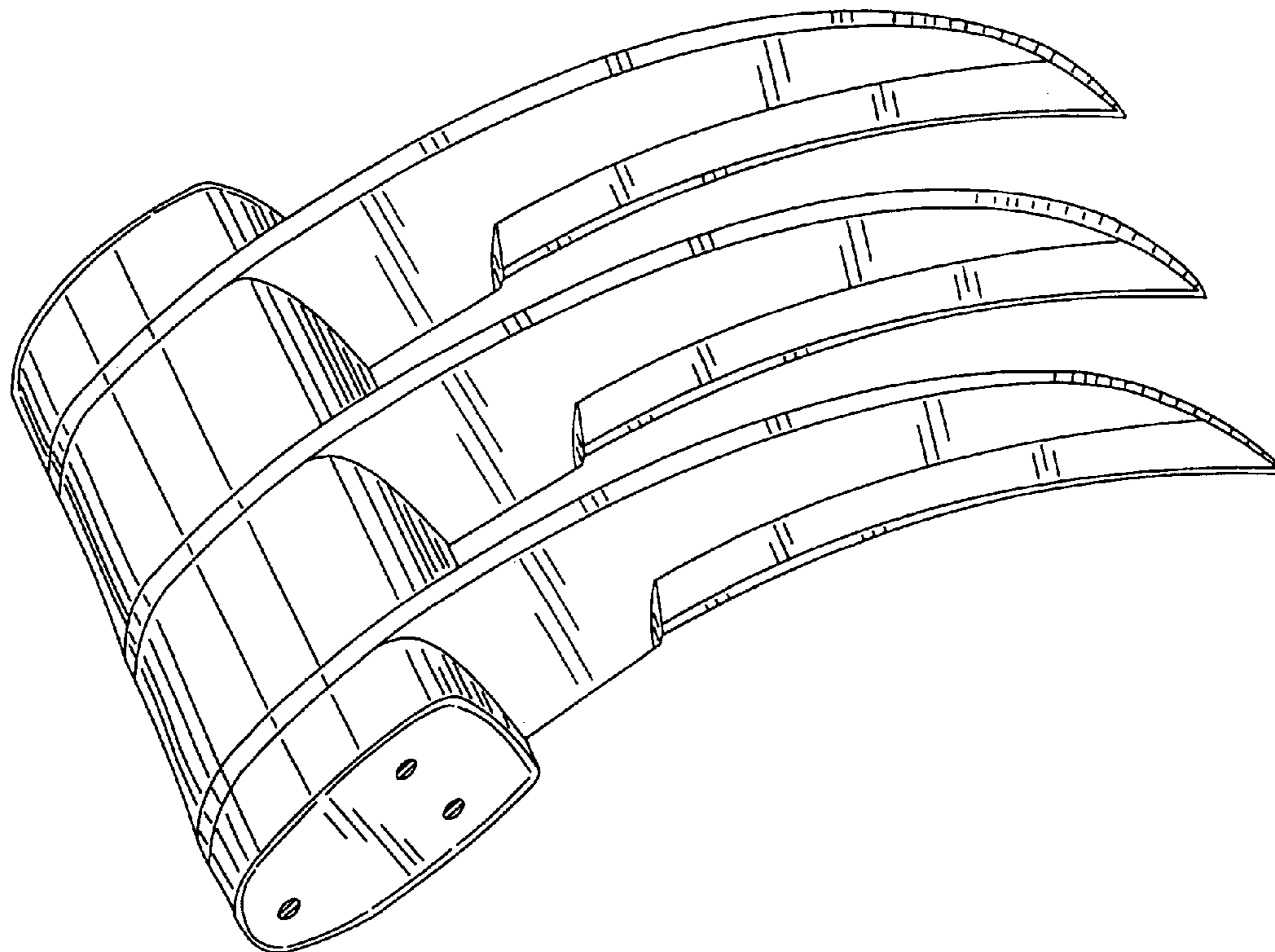


Fig. 1

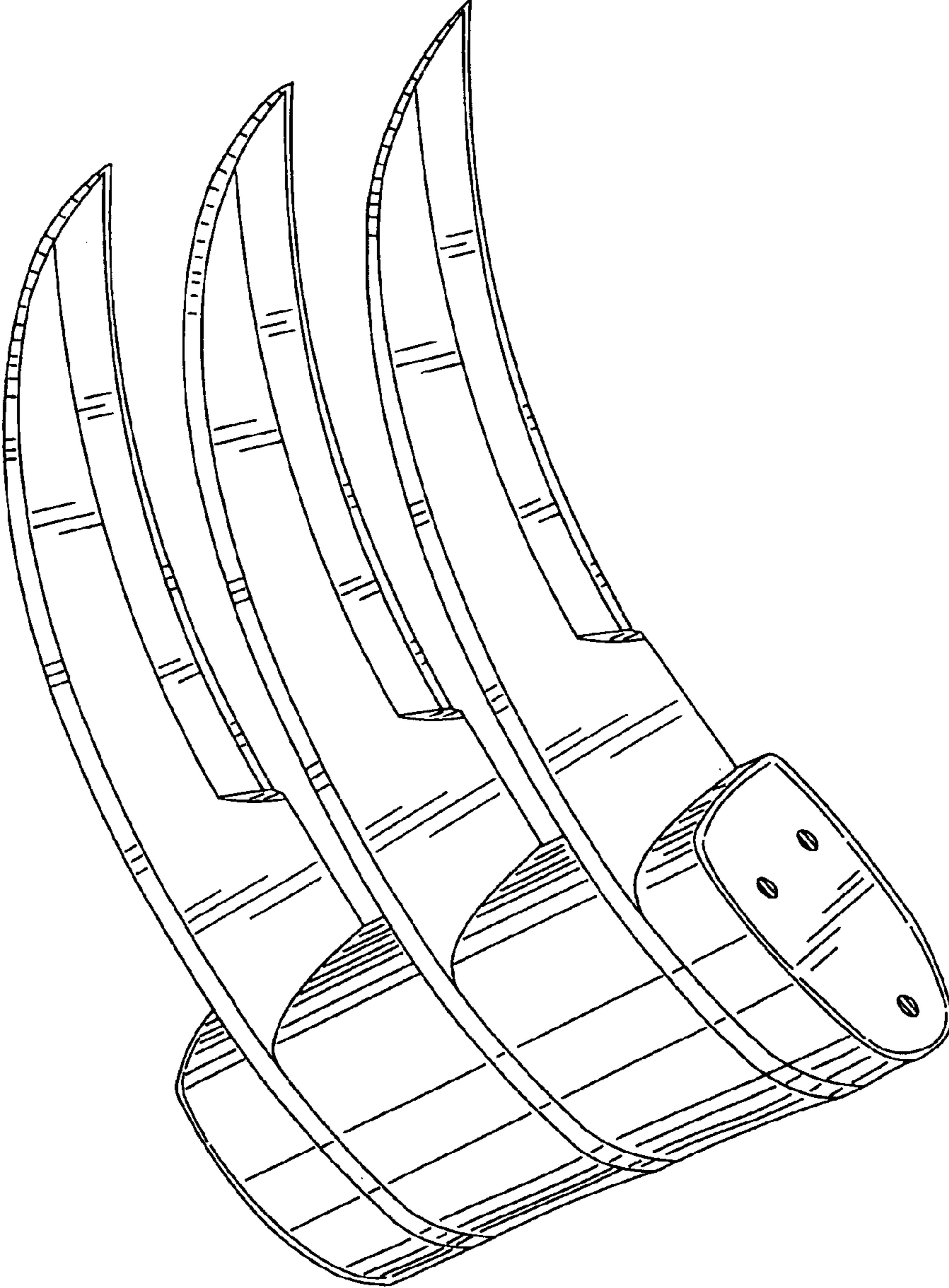


Fig. 2

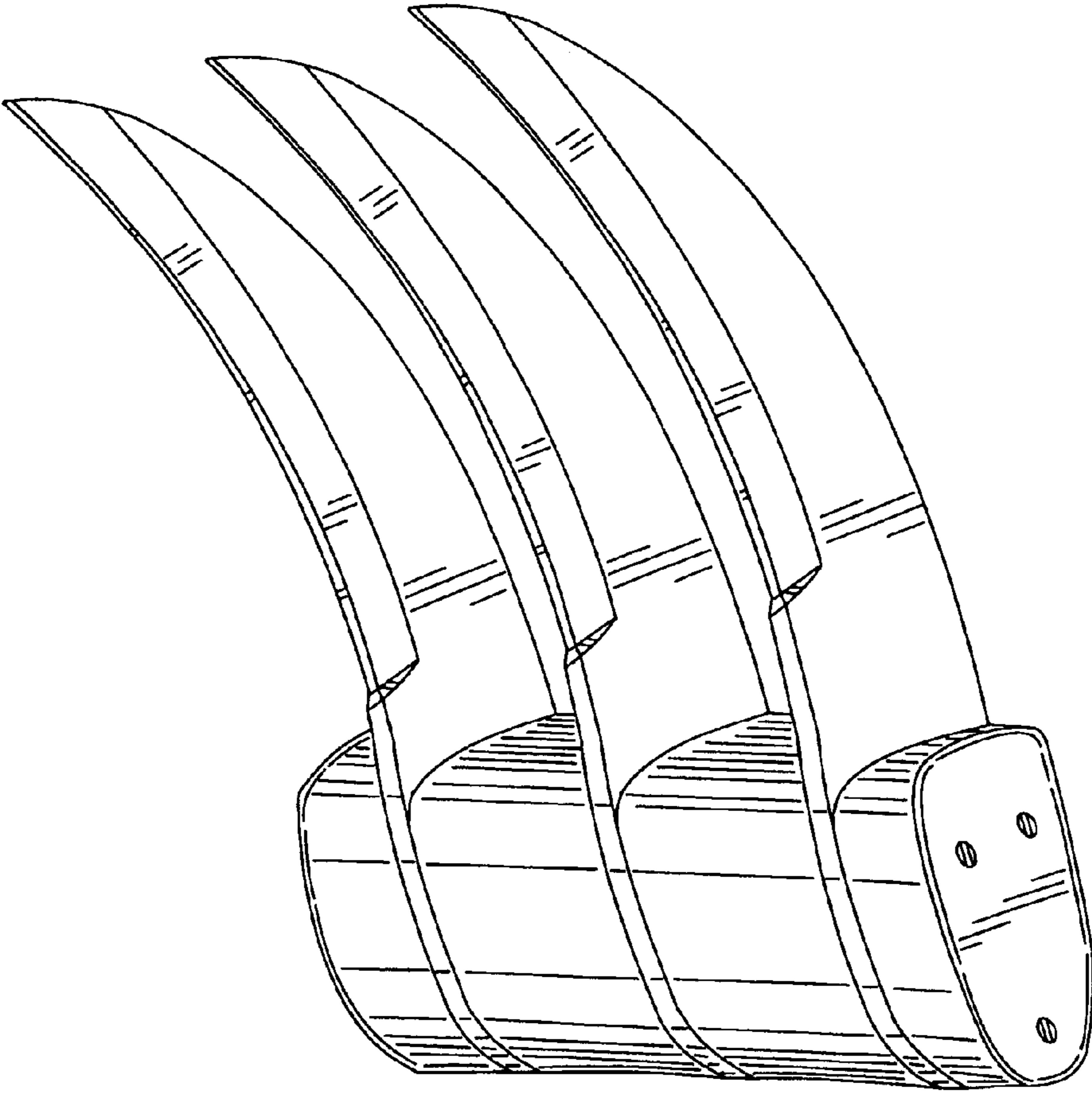


Fig. 3

