



US00D528892S

(12) **United States Design Patent**
Okada

(10) **Patent No.:** **US D528,892 S**

(45) **Date of Patent:** **** Sep. 26, 2006**

(54) **HANDLE OF HANDSAW**

(75) Inventor: **Tamotsu Okada**, Miki (JP)

(73) Assignee: **Kabushiki Kaisha Okada Kinzoku Kogyosho**, Miki (JP)

(**) Term: **14 Years**

(21) Appl. No.: **29/226,767**

(22) Filed: **Apr. 1, 2005**

(51) **LOC (8) Cl.** **08-03**

(52) **U.S. Cl.** **D8/97**

(58) **Field of Classification Search** D8/95,
D8/96, 97, 98, 99, 100, 107; 30/156, 157,
30/158, 159, 160, 331, 332, 333, 522, 523
See application file for complete search history.

(56) **References Cited**

U.S. PATENT DOCUMENTS

D307,383 S	*	4/1990	Huang	D8/97
D357,166 S	*	4/1995	Concari	D8/107
D400,421 S	*	11/1998	Okada	D8/97
5,930,902 A	*	8/1999	Hsu	30/331
5,937,527 A	*	8/1999	Okada	30/332
D468,615 S	*	1/2003	Kanzawa	D8/97
D500,240 S	*	12/2004	Fancelli	D8/97

D500,656 S	*	1/2005	Fancelli	D8/97
D509,123 S	*	9/2005	Tran	D8/95
D510,008 S	*	9/2005	Kanzawa	D8/97

* cited by examiner

Primary Examiner—Philip S. Hyder

(74) *Attorney, Agent, or Firm*—Armstrong, Kratz, Quintos, Hanson & Brooks, LLP

(57) **CLAIM**

The ornamental design for a handle of handsaw, as shown and described.

DESCRIPTION

FIG. 1 is a front view of the handle of handsaw of the present invention;

FIG. 2 is a top plan view thereof;

FIG. 3 is a back view thereof;

FIG. 4 is a bottom plan view thereof;

FIG. 5 is a right side view thereof;

FIG. 6 is a left side view thereof;

FIG. 7 is a perspective view thereof; and,

FIG. 8 is a front view thereof, wherein the broken line showing of the blade is for illustrative purposes only and forms no part of the claimed design.

1 Claim, 3 Drawing Sheets

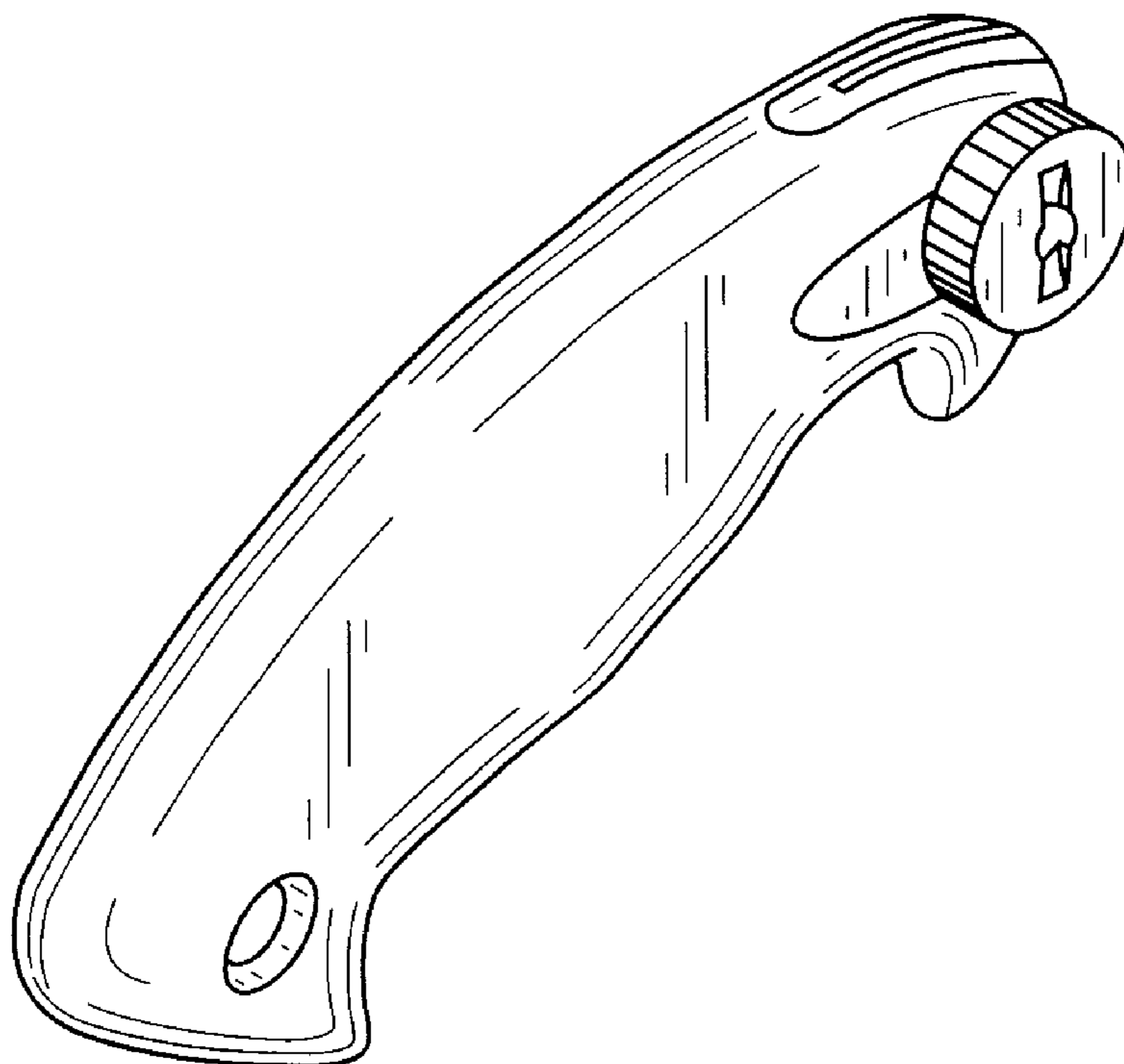


FIG.1

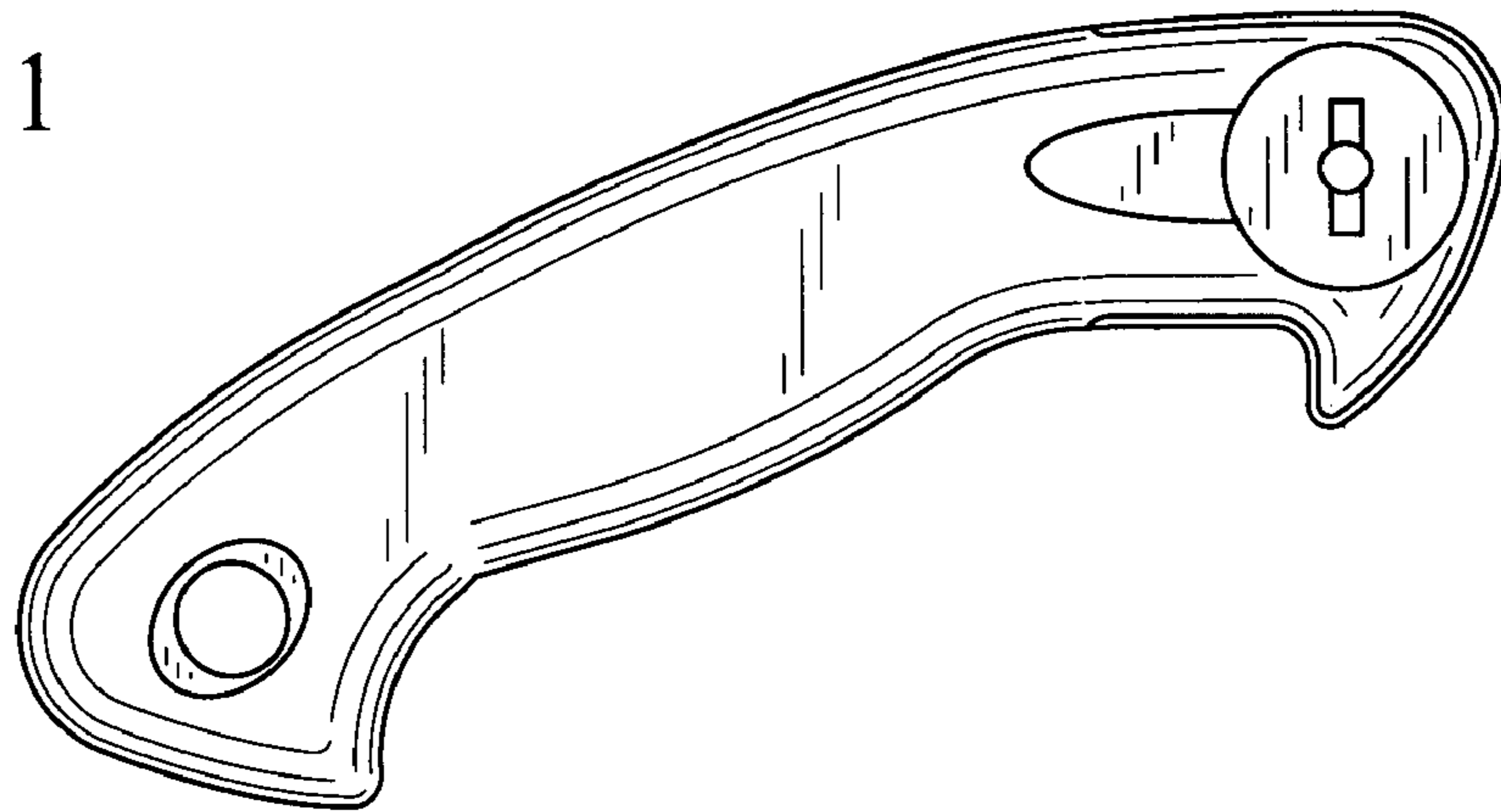


FIG.2

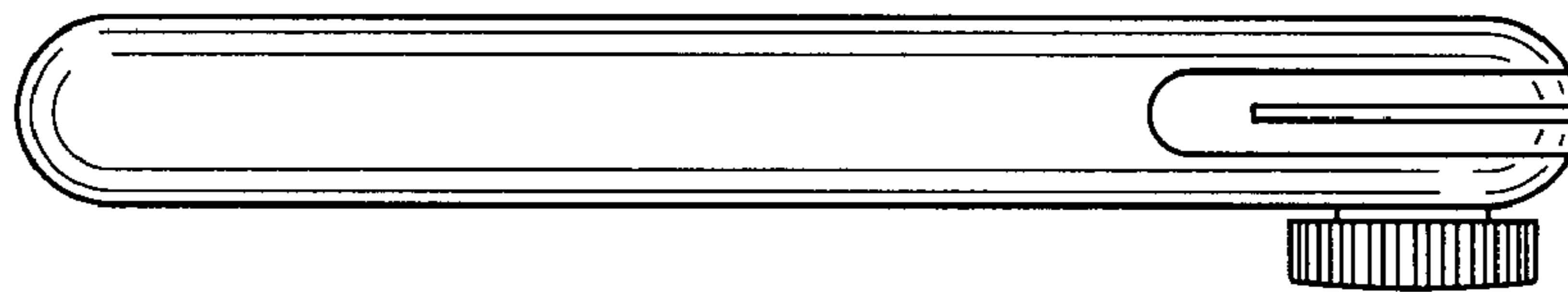


FIG.3

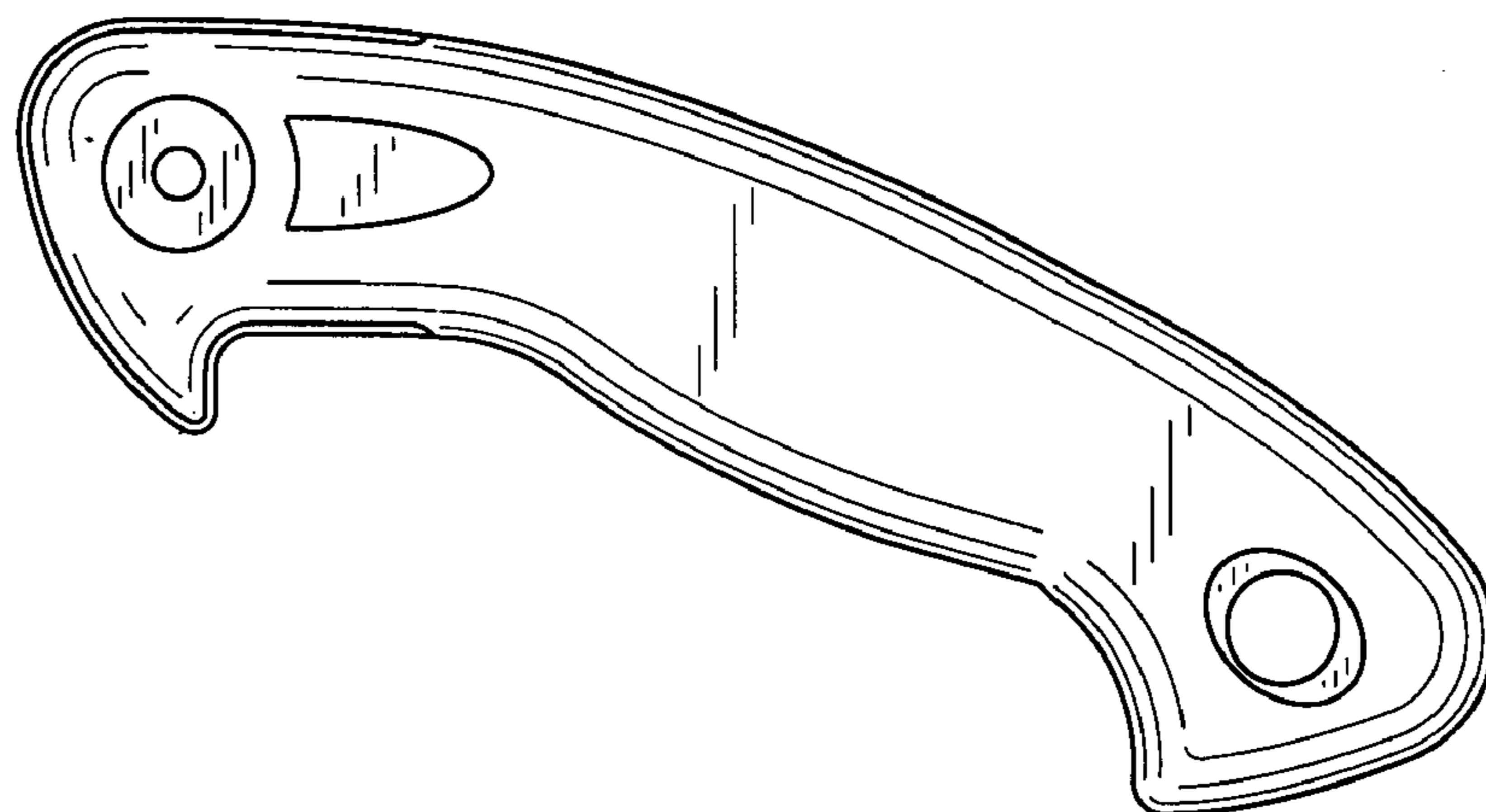


FIG.4

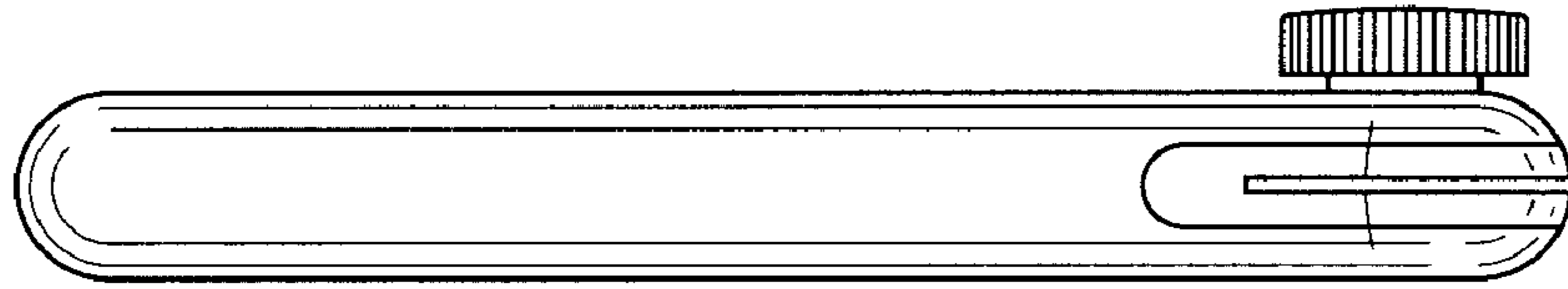


FIG.5

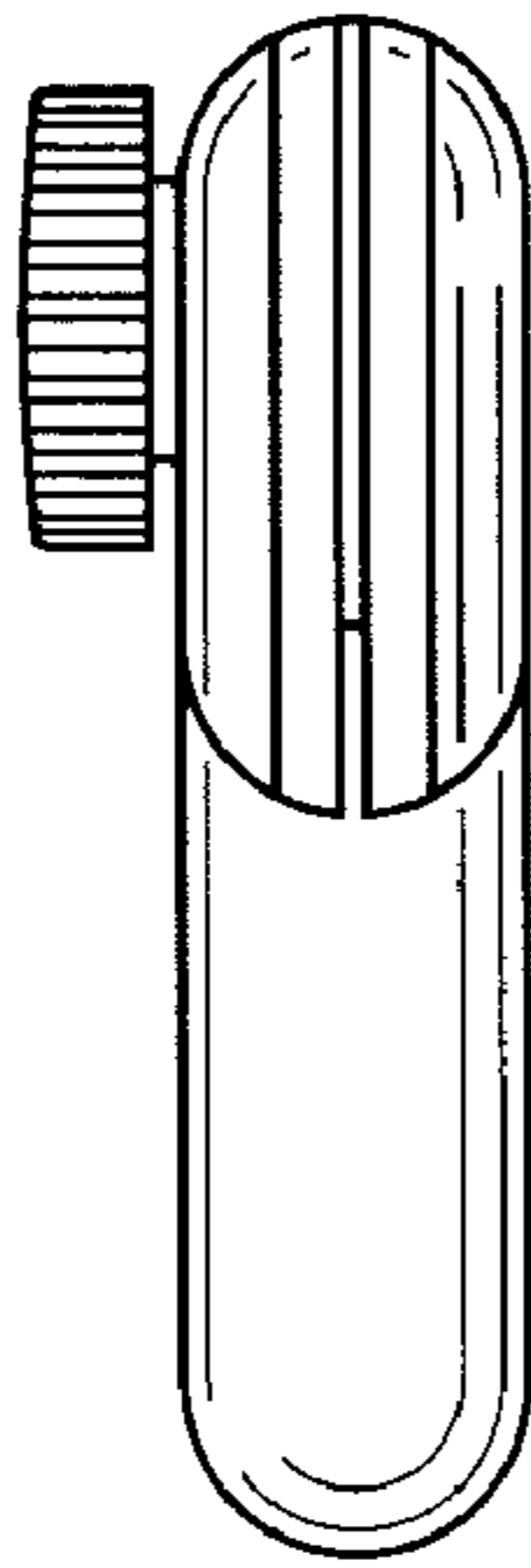


FIG.6

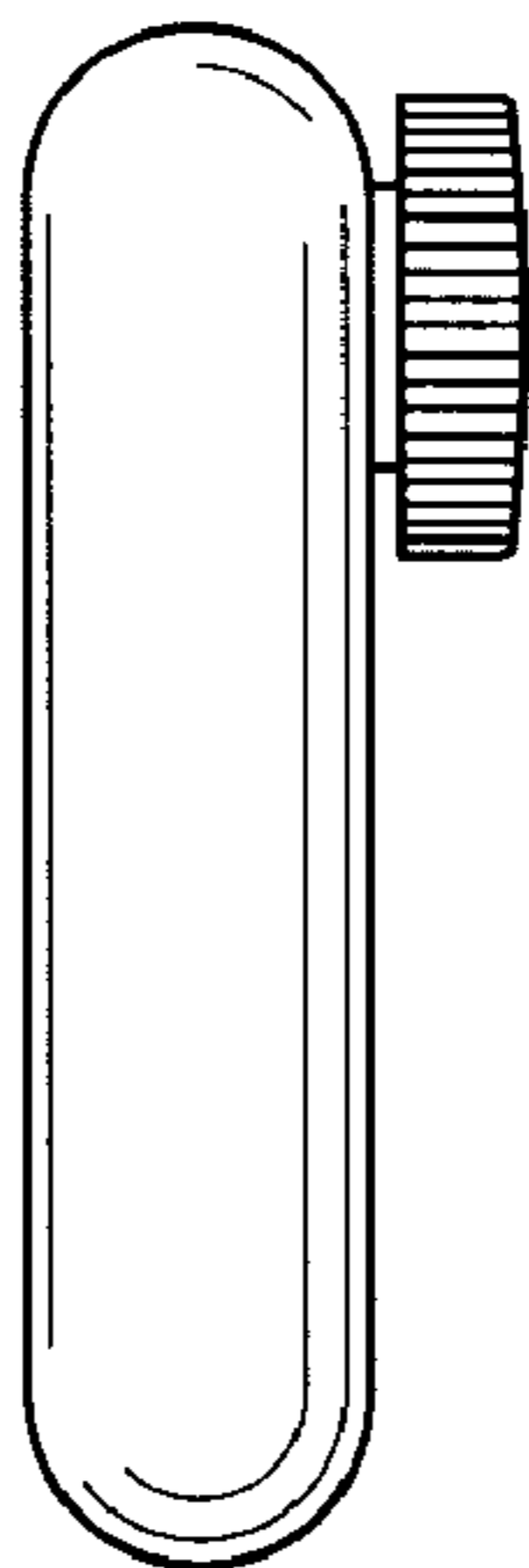


FIG.7

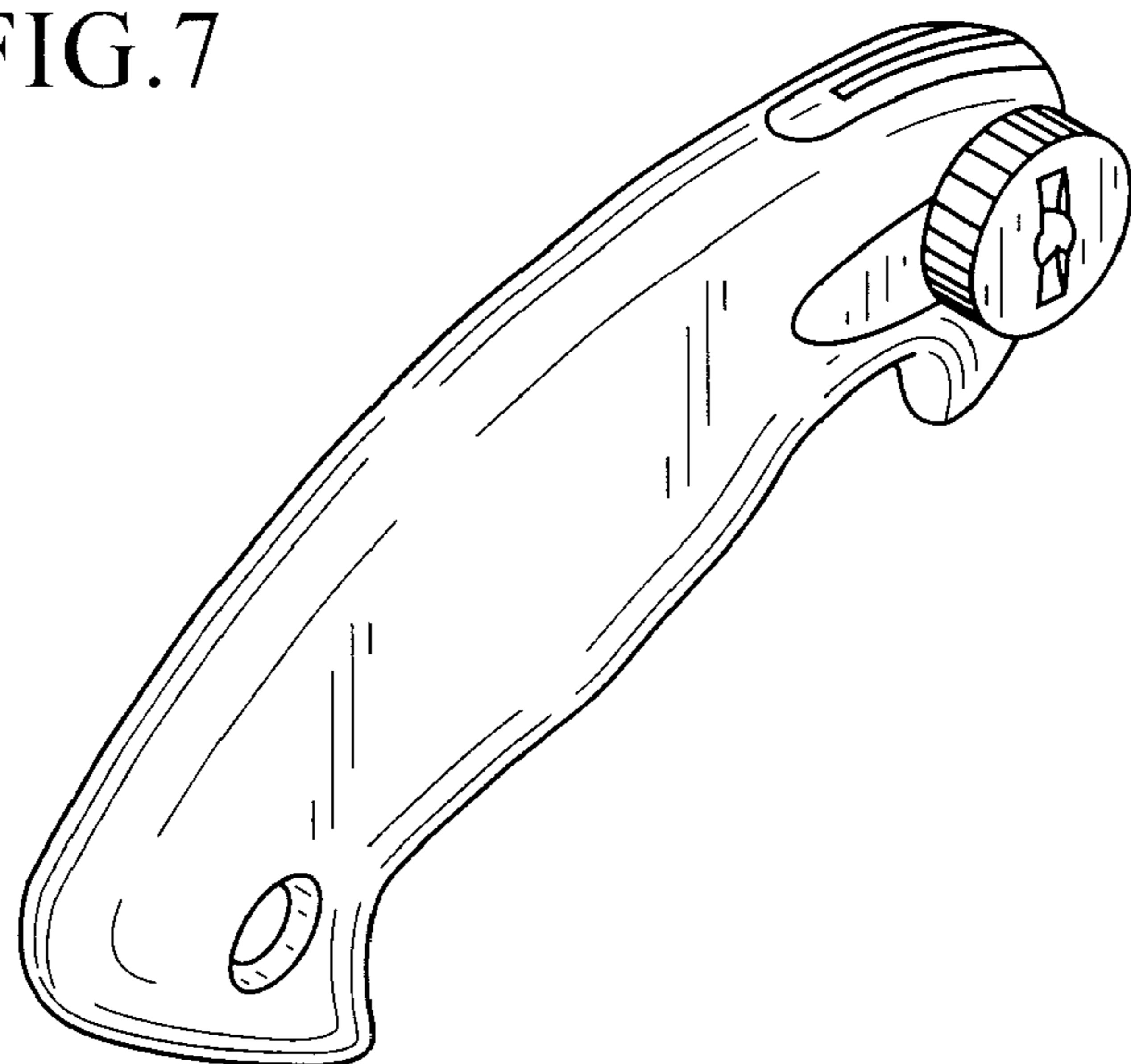


FIG.8

