



US00D528889S

(12) **United States Design Patent**
Hattori et al.

(10) **Patent No.:** **US D528,889 S**

(45) **Date of Patent:** **** Sep. 26, 2006**

(54) **PNEUMATIC NAILING MACHINE**

(75) Inventors: **Takeo Hattori**, Tokyo (JP); **Hiroki Yamamoto**, Tokyo (JP)

(73) Assignee: **Max Co., Ltd.**, Tokyo (JP)

(**) Term: **14 Years**

(21) Appl. No.: **29/254,899**

(22) Filed: **Mar. 2, 2006**

(30) **Foreign Application Priority Data**

Sep. 5, 2005 (JP) 2005-025644

(51) **LOC (8) Cl.** **08-05**

(52) **U.S. Cl.** **D8/69**

(58) **Field of Classification Search** D6/14.1,
D6/49, 61-64, 65, 66, 67, 68, 69, 70; 81/57.11,
81/429, 464, 465, 466, 469, 489; 173/13,
173/104, 114, 168, 169, 170, 171, 178, 201,
173/211, 213, 217; 408/20, 124, 125, 234,
408/241 R; 451/358; 310/50; 227/8, 114,
227/120, 130, 136, 142, 132, 134, 127, 128,
227/113

See application file for complete search history.

(56) **References Cited**

U.S. PATENT DOCUMENTS

- D334,329 S * 3/1993 Ogawa et al. D8/68
- D338,818 S * 8/1993 Katsuba D8/62
- D358,749 S * 5/1995 Matsunaga et al. D8/69
- D368,216 S * 3/1996 Hattori D8/68
- D387,260 S * 12/1997 Hattori D8/69
- 5,715,982 A * 2/1998 Adachi 227/8
- D392,170 S * 3/1998 Hattori D8/68
- 5,772,096 A * 6/1998 Osuka et al. 227/130
- D403,938 S * 1/1999 Matsuoka et al. D8/68
- 5,878,936 A * 3/1999 Adachi et al. 227/130
- D408,250 S * 4/1999 Matsuoka et al. D8/68
- D410,182 S * 5/1999 Etter et al. D8/69
- D421,884 S * 3/2000 Hattori D8/69
- D432,882 S * 10/2000 Matsuoka et al. D8/68

- D438,079 S * 2/2001 Hattori D8/69
- D466,781 S * 12/2002 Matsuoka et al. D8/69
- D474,091 S * 5/2003 Arai D8/69
- D474,386 S * 5/2003 Arai D8/68
- D475,597 S * 6/2003 Arai D8/68
- D486,048 S * 2/2004 Hattori D8/68
- 6,769,591 B1 * 8/2004 Yamamoto et al. 227/113
- D505,608 S * 5/2005 Arai et al. D8/68
- 6,929,165 B1 * 8/2005 Chen et al. 227/142
- 6,942,042 B1 * 9/2005 Lee 173/13
- 7,013,985 B1 * 3/2006 Sasaki et al. 173/13
- 2003/0127490 A1 * 7/2003 Hamano et al. 227/120

FOREIGN PATENT DOCUMENTS

JP 1156396 S 10/2002

OTHER PUBLICATIONS

Max HN 90N1 found at http://www.p-tools.com/max/s_nailer/hn90.htm from Internet Google search conducted on Apr. 13, 2006 using the key words "Max HN 90N1".*

(Continued)

Primary Examiner—T. Chase Nelson

(74) *Attorney, Agent, or Firm*—Morgan, Lewis & Bockius LLP

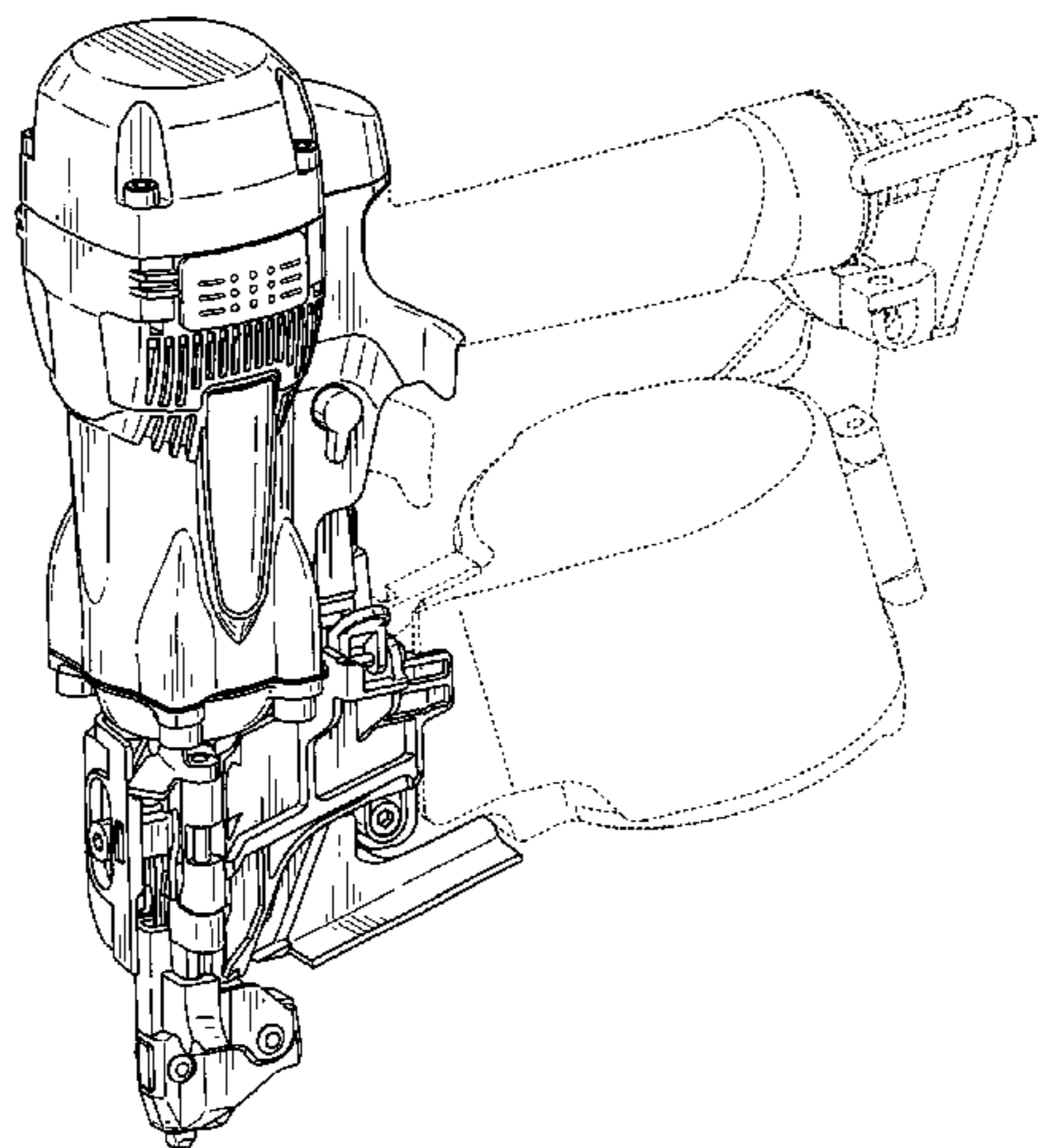
(57) **CLAIM**

The ornamental design for a pneumatic nailing machine, as shown and described.

DESCRIPTION

FIG. 1 is a perspective view of the front, left and top of a pneumatic nailing machine showing our new design; FIG. 2 is a front view thereof; FIG. 3 is a rear view thereof; FIG. 4 is a left side view thereof; FIG. 5 is a right side view thereof; FIG. 6 is a top plan view thereof; and, FIG. 7 is a bottom view thereof. The elements shown in broken lines are for illustrative purposes only and form no part of the claimed design.

1 Claim, 5 Drawing Sheets



OTHER PUBLICATIONS

Max HN 90 photograph and drawing from owner's manual found at <http://wis.max-ltd.co.jp/int/na/pshow.php3?productcode=hn91057> from Internet Google search conducted on Apr. 13, 2006 using the key words "Max HN 90N1".*

Reference No. HJ16004504 of public arts in Design department of JP Patent Office published Sep. 14, 2004 and copy of Notice of Refusal citing document in JP Design Application No. 2005-025644 with translation.

* cited by examiner

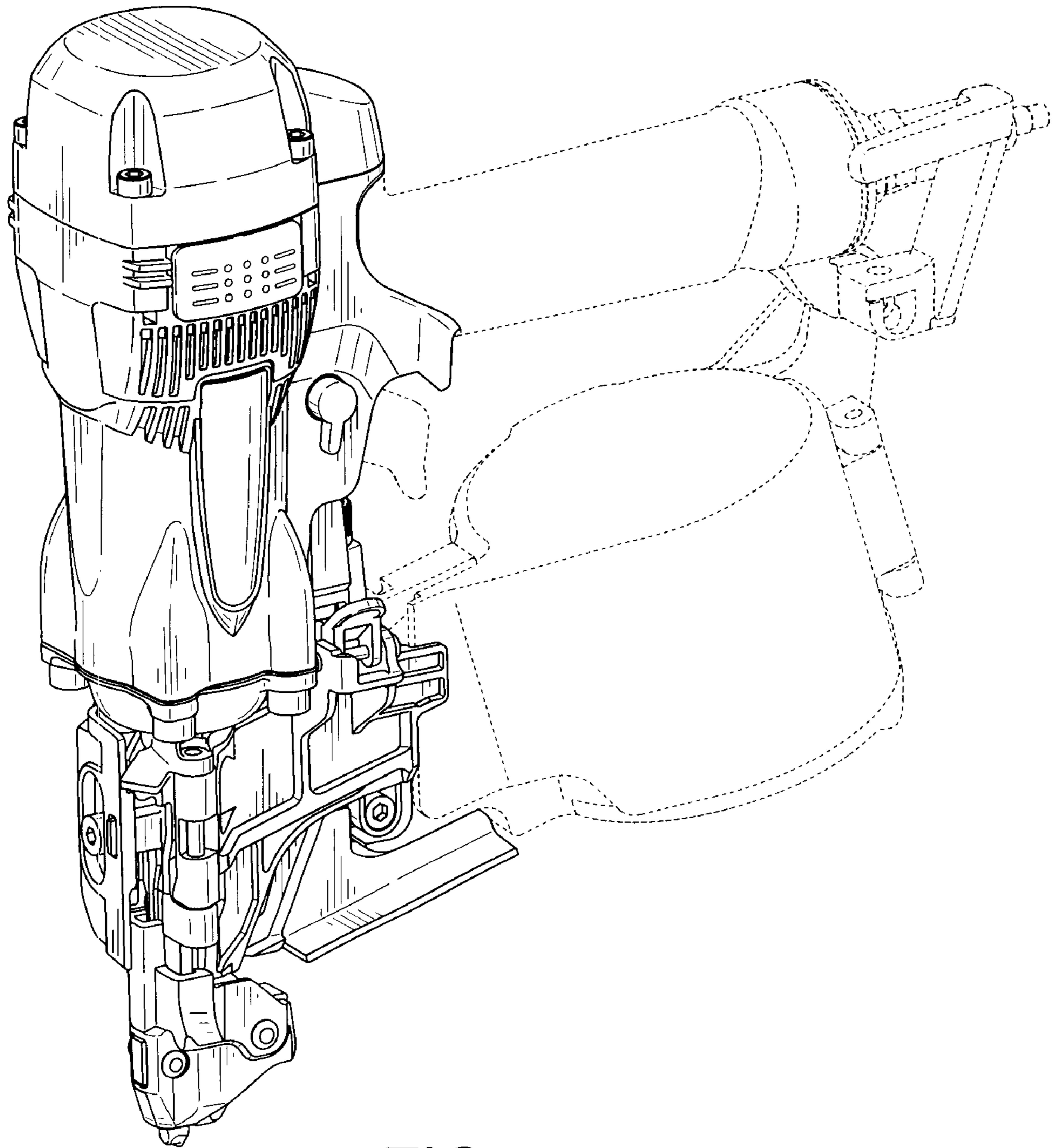


FIG. 1

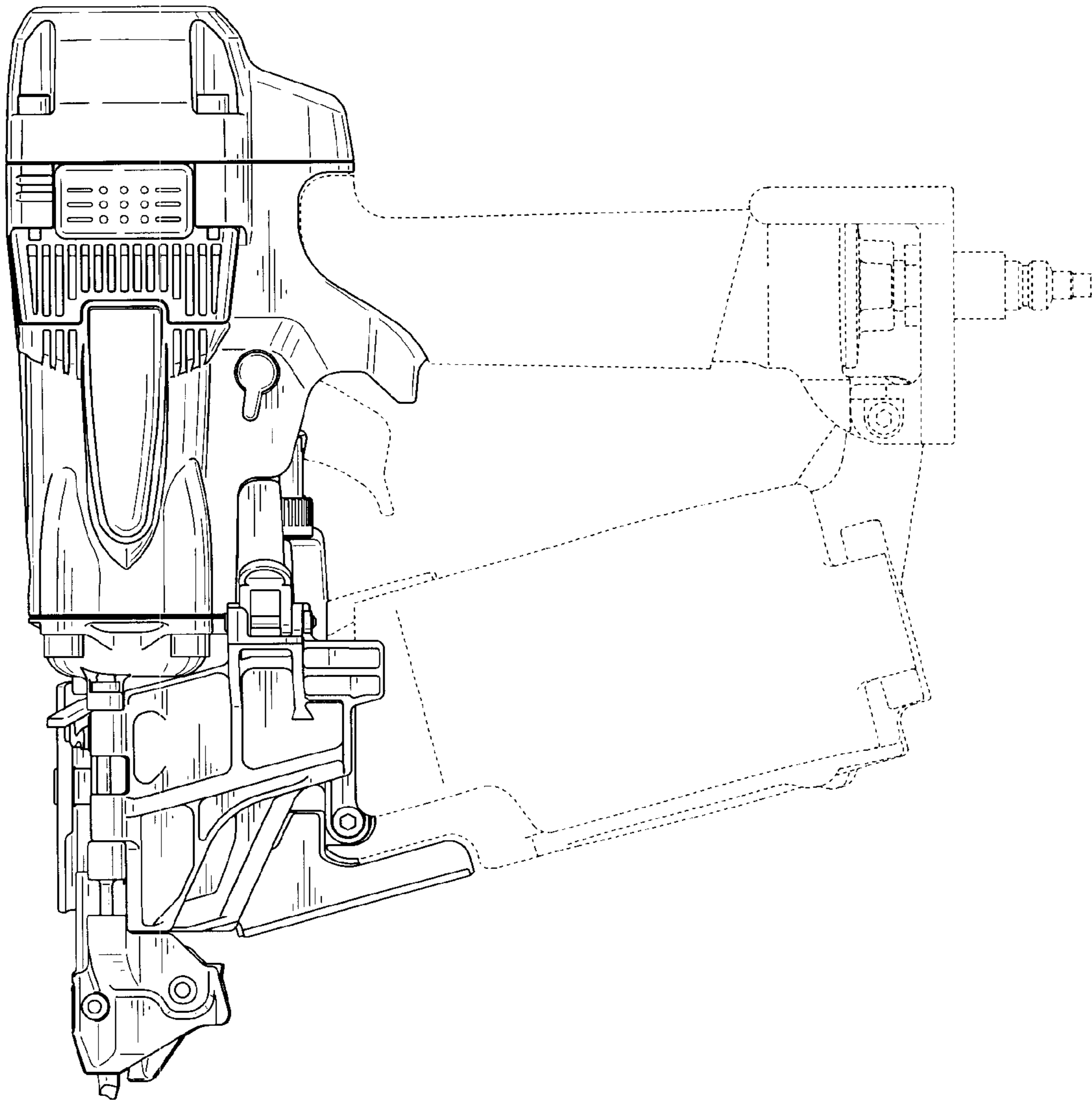


FIG. 2

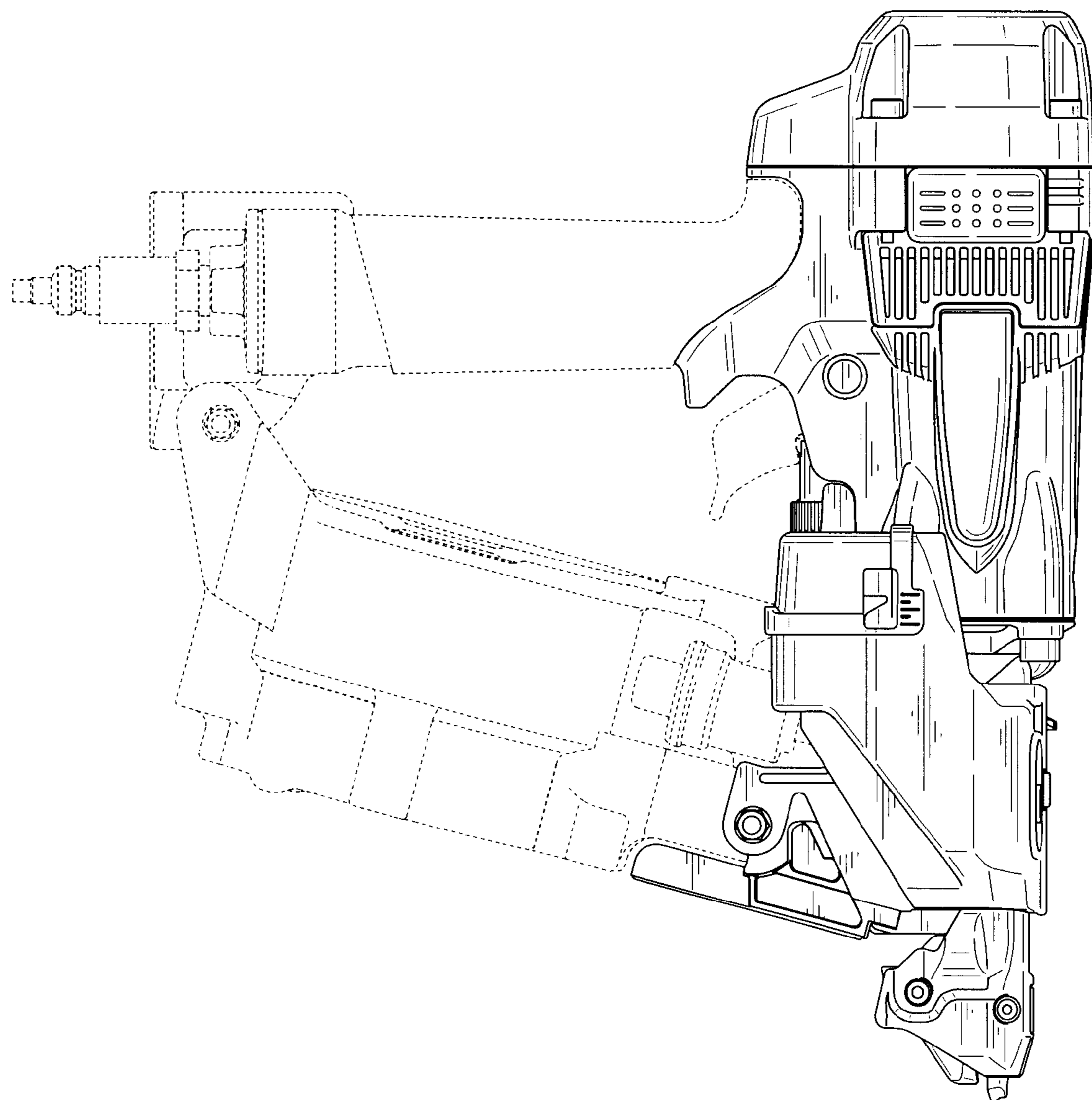


FIG. 3

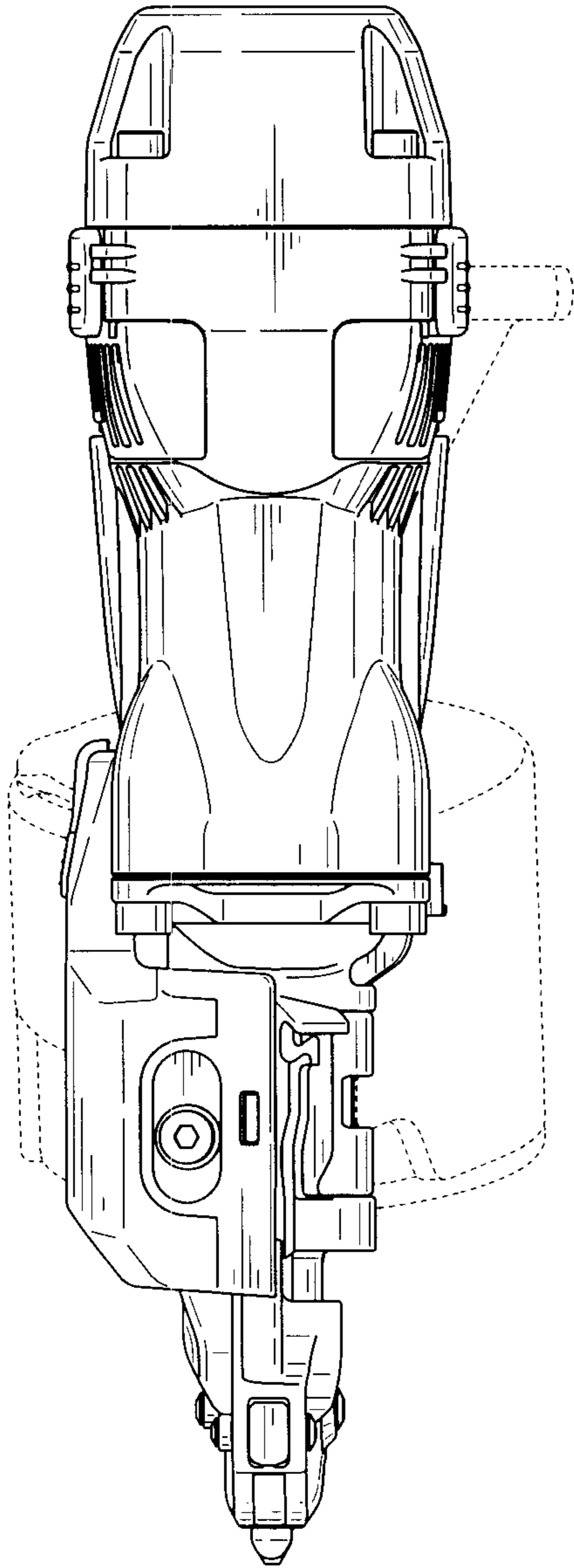


FIG. 4

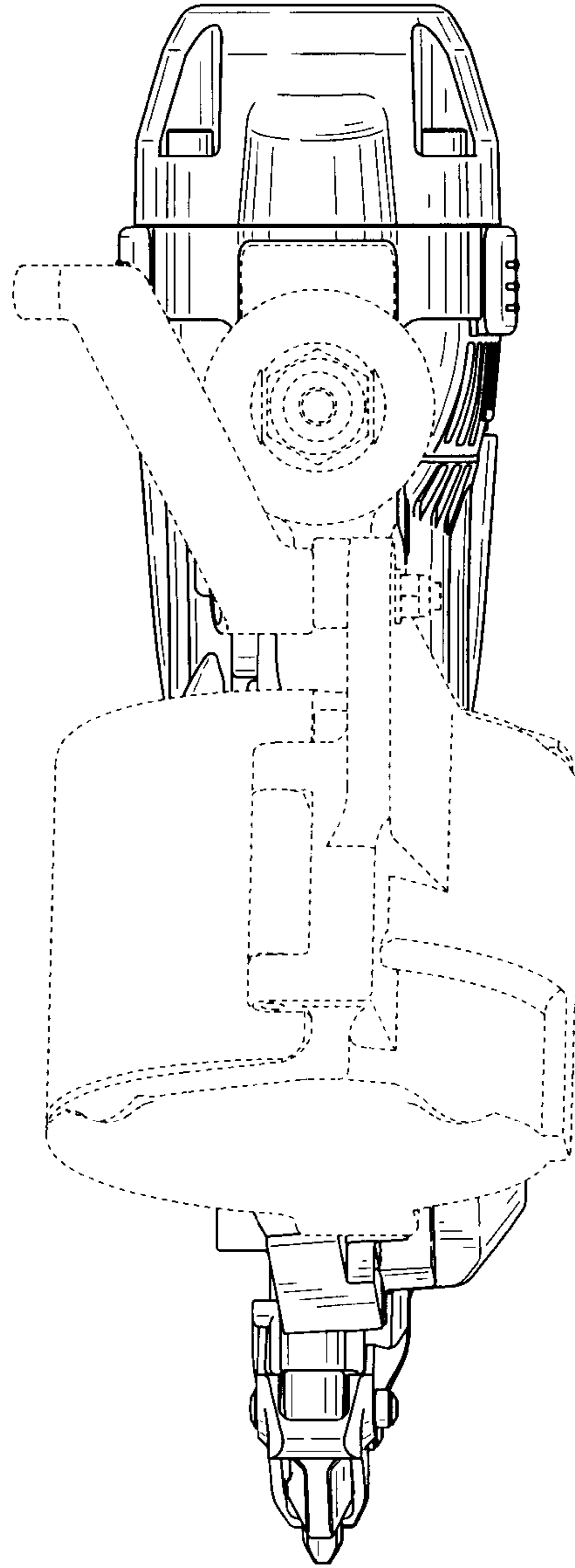


FIG. 5

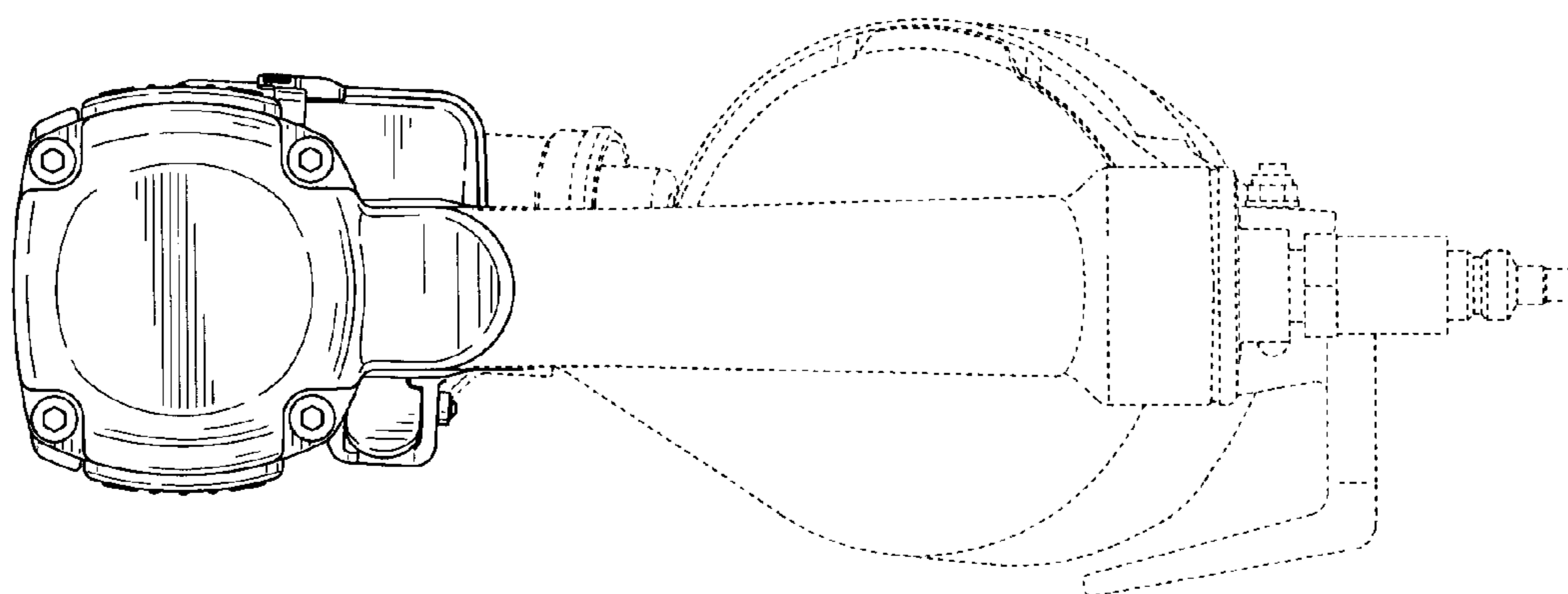


FIG. 6

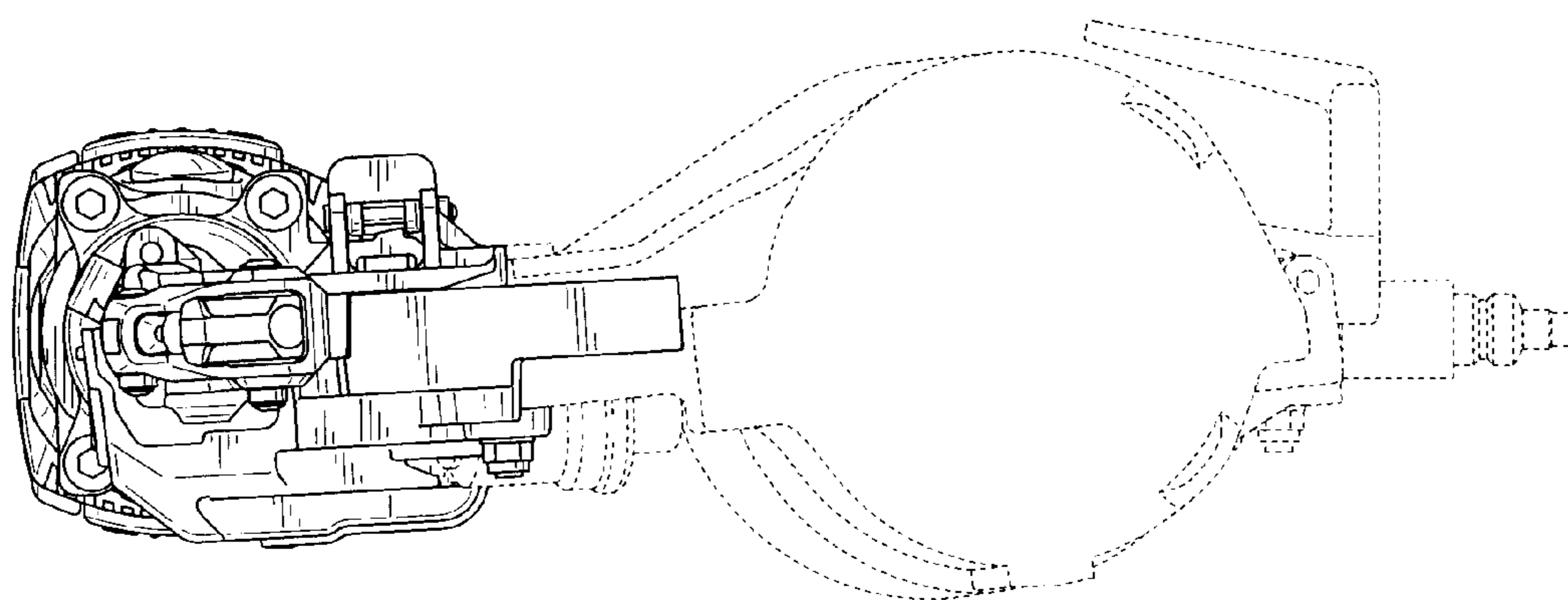


FIG. 7