



US00D52888S

(12) **United States Design Patent** (10) **Patent No.:** **US D528,888 S**  
**Nagasaka et al.** (45) **Date of Patent:** **\*\* Sep. 26, 2006**

(54) **PORTION OF A PORTABLE ELECTRIC DRIVER**

(75) Inventors: **Hidenori Nagasaka, Anjo (JP); Shinsuke Okuda, Anjo (JP)**

(73) Assignee: **Makita Corporation, Anjo (JP)**

(\*\*) Term: **14 Years**

(21) Appl. No.: **29/253,895**

(22) Filed: **Feb. 15, 2006**

**Related U.S. Application Data**

(62) Division of application No. 29/234,909, filed on Jul. 26, 2005.

(30) **Foreign Application Priority Data**

Jan. 31, 2005 (JP) ..... 2005-2469  
Jan. 31, 2005 (JP) ..... 2005-2470  
Jan. 31, 2005 (JP) ..... 2005-2471

(51) **LOC (8) Cl.** ..... **08-05**

(52) **U.S. Cl.** ..... **D8/68**

(58) **Field of Classification Search** ..... D8/14.1,  
D8/61, 62, 63, 64, 65, 66, 67, 68, 69, 70;  
81/57.11, 429, 464, 465, 466, 469, 489; 173/13,  
173/104, 114, 168, 169, 170, 171, 178, 201,  
173/211, 213, 217; 408/20, 124, 125, 234,  
408/241 R; 451/358; 310/50; 227/8, 114,  
227/120, 130, 136, 142

See application file for complete search history.

(56) **References Cited**

**U.S. PATENT DOCUMENTS**

D392,863 S 3/1998 Sugimoto et al.  
D424,902 S 5/2000 Gildersleeve et al.  
D437,761 S 2/2001 Okumura et al.  
D477,205 S \* 7/2003 Sakai et al. .... D8/68  
D484,385 S \* 12/2003 Sakai et al. .... D8/68  
D489,955 S 5/2004 Concari et al.  
6,729,415 B1 5/2004 Huang  
6,745,883 B1 \* 6/2004 Eto et al. .... 173/178

D493,344 S 7/2004 Watson  
D494,435 S 8/2004 Hayakawa et al.  
D499,624 S 12/2004 Concari et al.  
D499,945 S \* 12/2004 Sugawara et al. .... D8/68  
6,860,342 B1 \* 3/2005 Wu et al. .... 173/217  
6,883,621 B1 4/2005 Lin  
D508,642 S 8/2005 Kokawa et al.  
D512,891 S \* 12/2005 Aglassinger ..... D8/68  
D514,910 S \* 2/2006 Nagasaka et al. .... D8/68  
7,004,368 B1 \* 2/2006 Chen ..... 227/120  
D516,400 S \* 3/2006 Yang ..... D8/69  
2002/0122707 A1 \* 9/2002 Sakai et al. .... 408/241 R  
2003/0159843 A1 \* 8/2003 Sakai et al. .... 173/217  
2005/0022638 A1 2/2005 Milbourne et al.  
2005/0121209 A1 6/2005 Shimizu et al.  
2005/0155778 A1 \* 7/2005 Ishida et al. .... 173/217  
2006/0011367 A1 \* 1/2006 Teng et al. .... 173/217  
2006/0048959 A1 \* 3/2006 Sakai et al. .... 173/217

**FOREIGN PATENT DOCUMENTS**

JP S 1158194 9/2002

\* cited by examiner

*Primary Examiner*—T. Chase Nelson

(74) *Attorney, Agent, or Firm*—Oliff & Berridge, PLC

(57) **CLAIM**

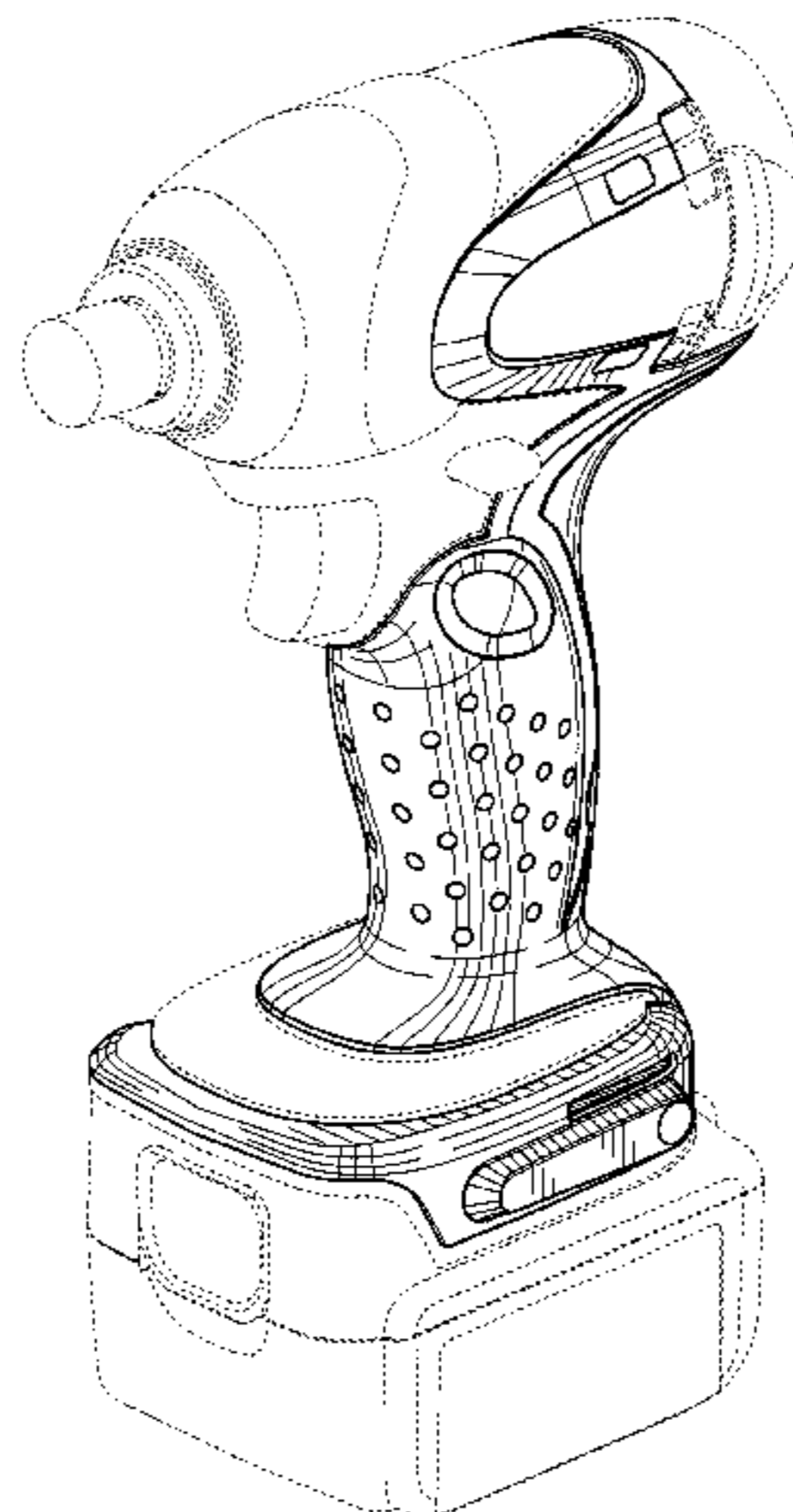
The ornamental design for a portion of a portable electric driver, as shown and described.

**DESCRIPTION**

FIG. 1 is a front and left side perspective view of a portion of a portable electric driver showing our new design; FIG. 2 is a front and right side perspective view thereof; FIG. 3 is a front elevation view thereof; FIG. 4 is a rear elevation view thereof; FIG. 5 is a left side elevation view thereof; FIG. 6 is a right side elevation view thereof; FIG. 7 is a top plan view thereof; and, FIG. 8 is a bottom plan view thereof.

The broken lines are for illustrative purposes only and form no part of the claimed design.

**1 Claim, 6 Drawing Sheets**



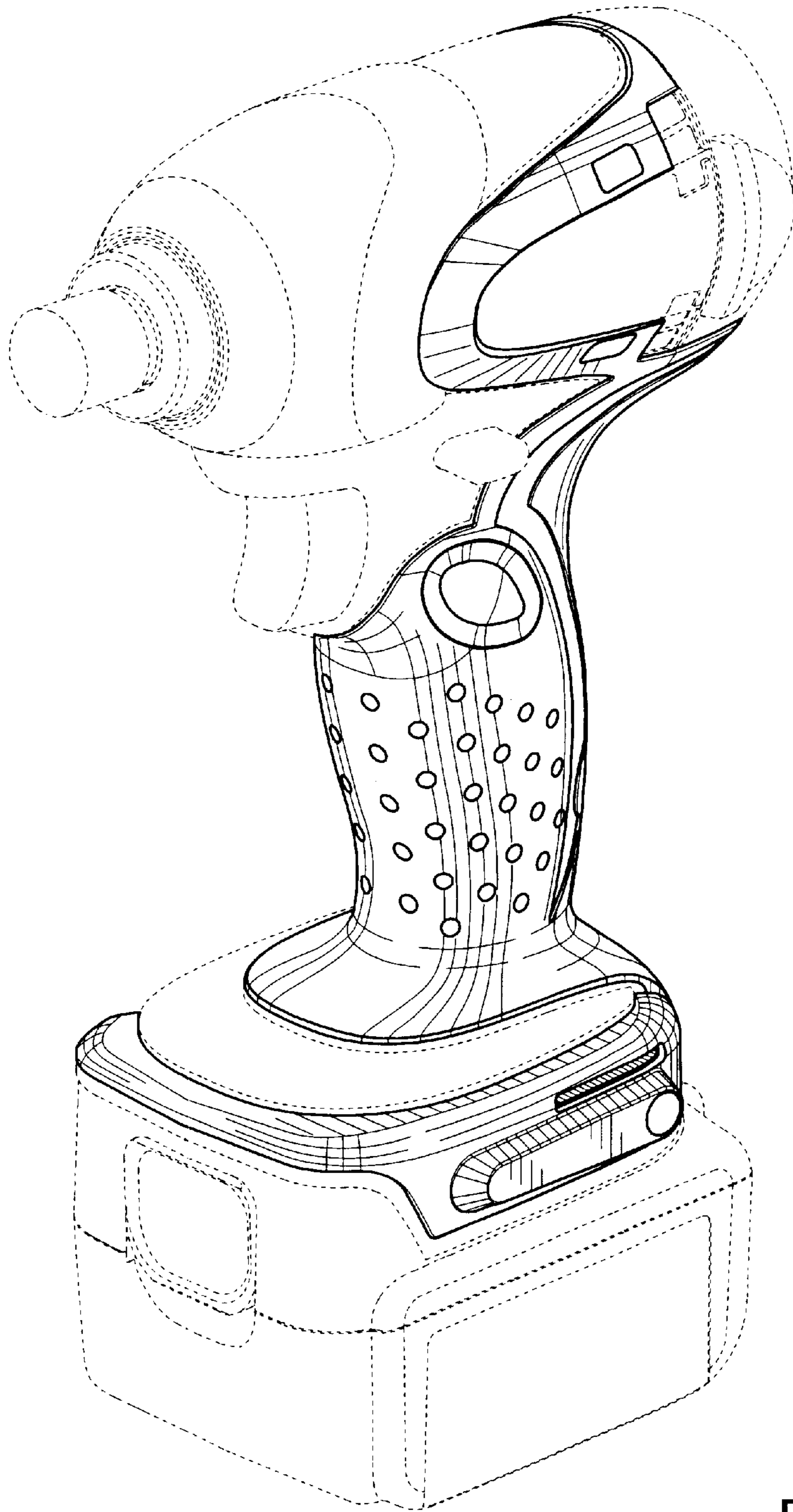


FIG. 1

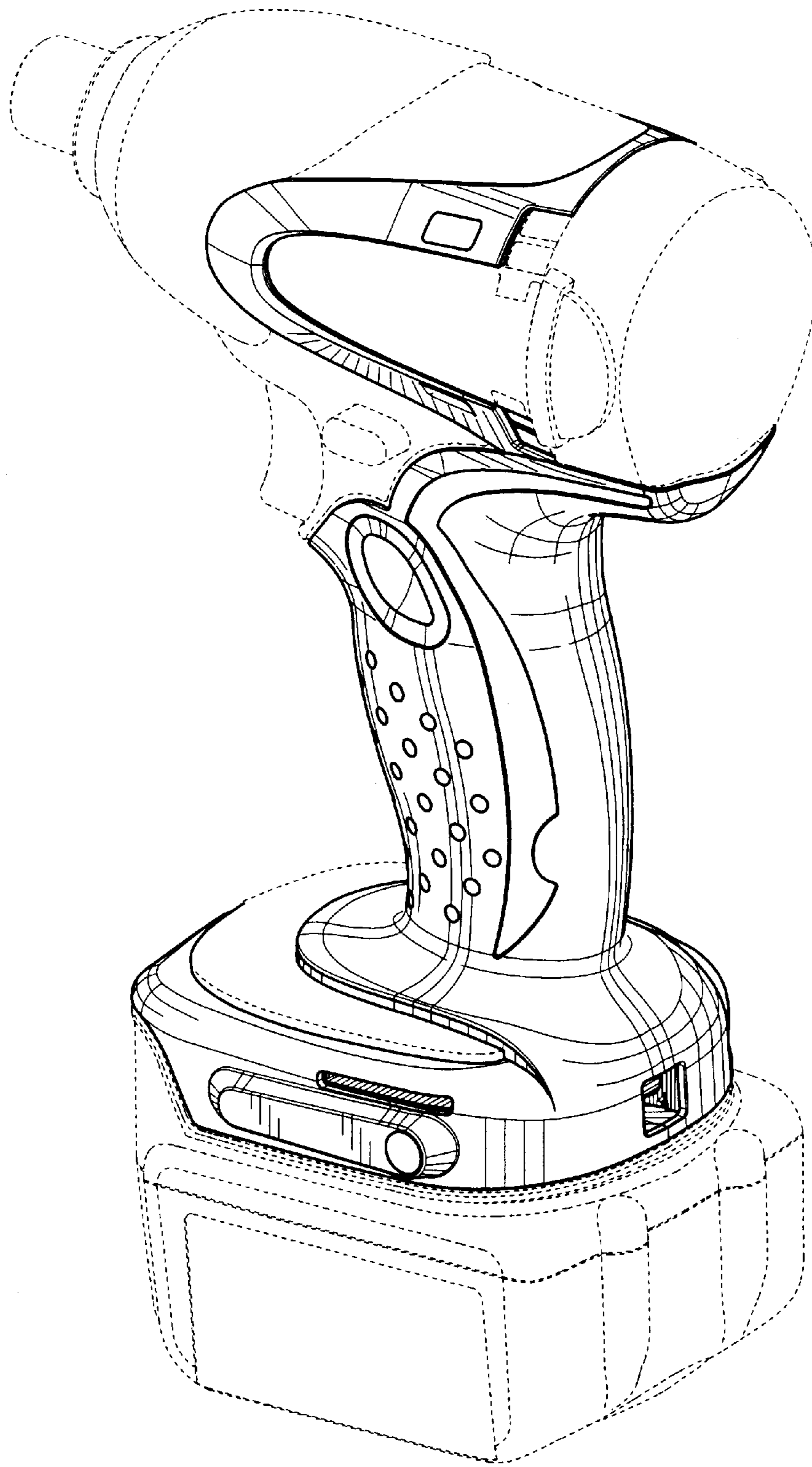


FIG. 2

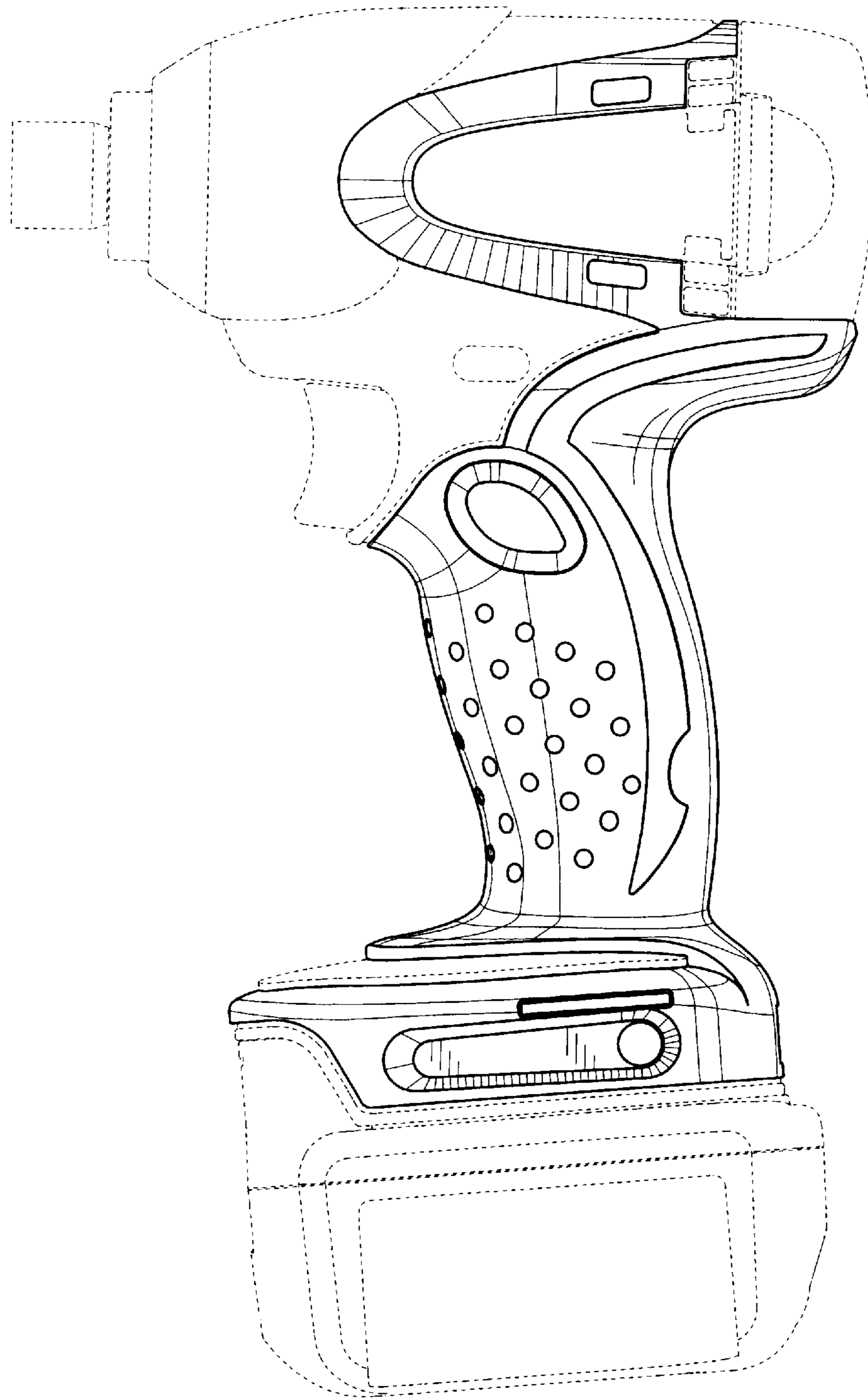


FIG. 3

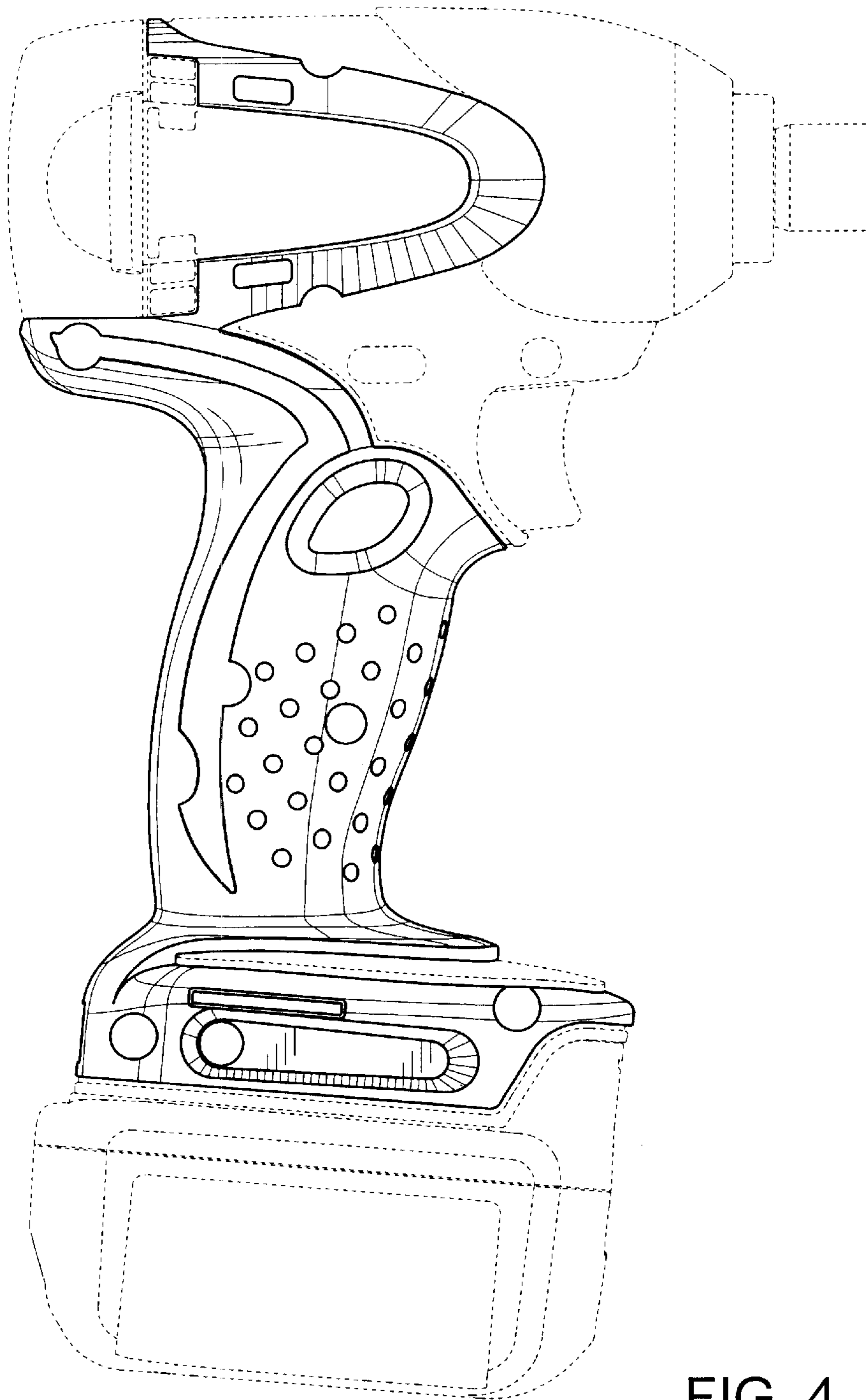


FIG. 4

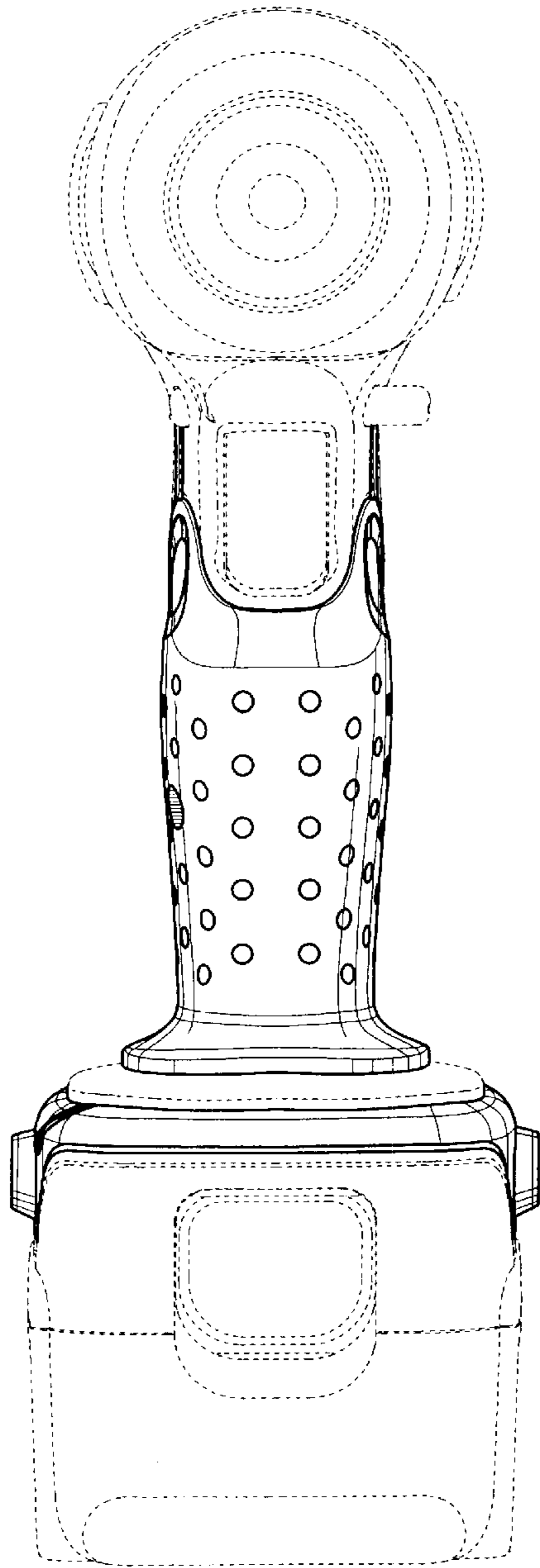


FIG. 5

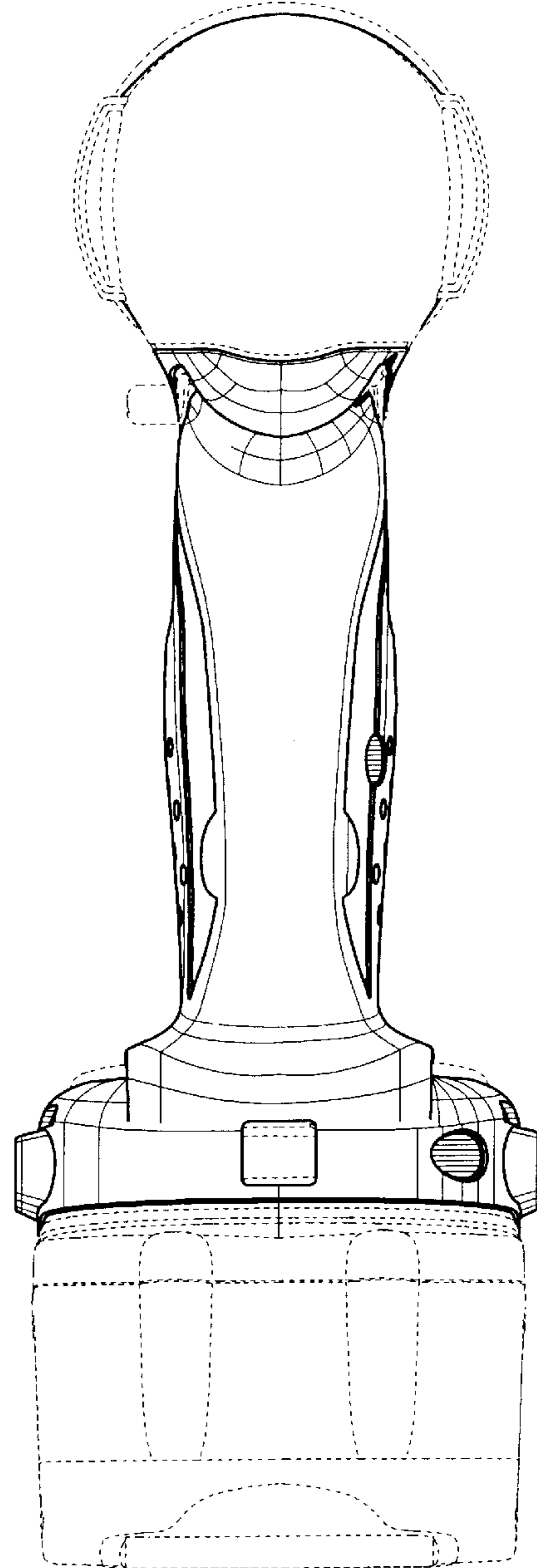


FIG. 6

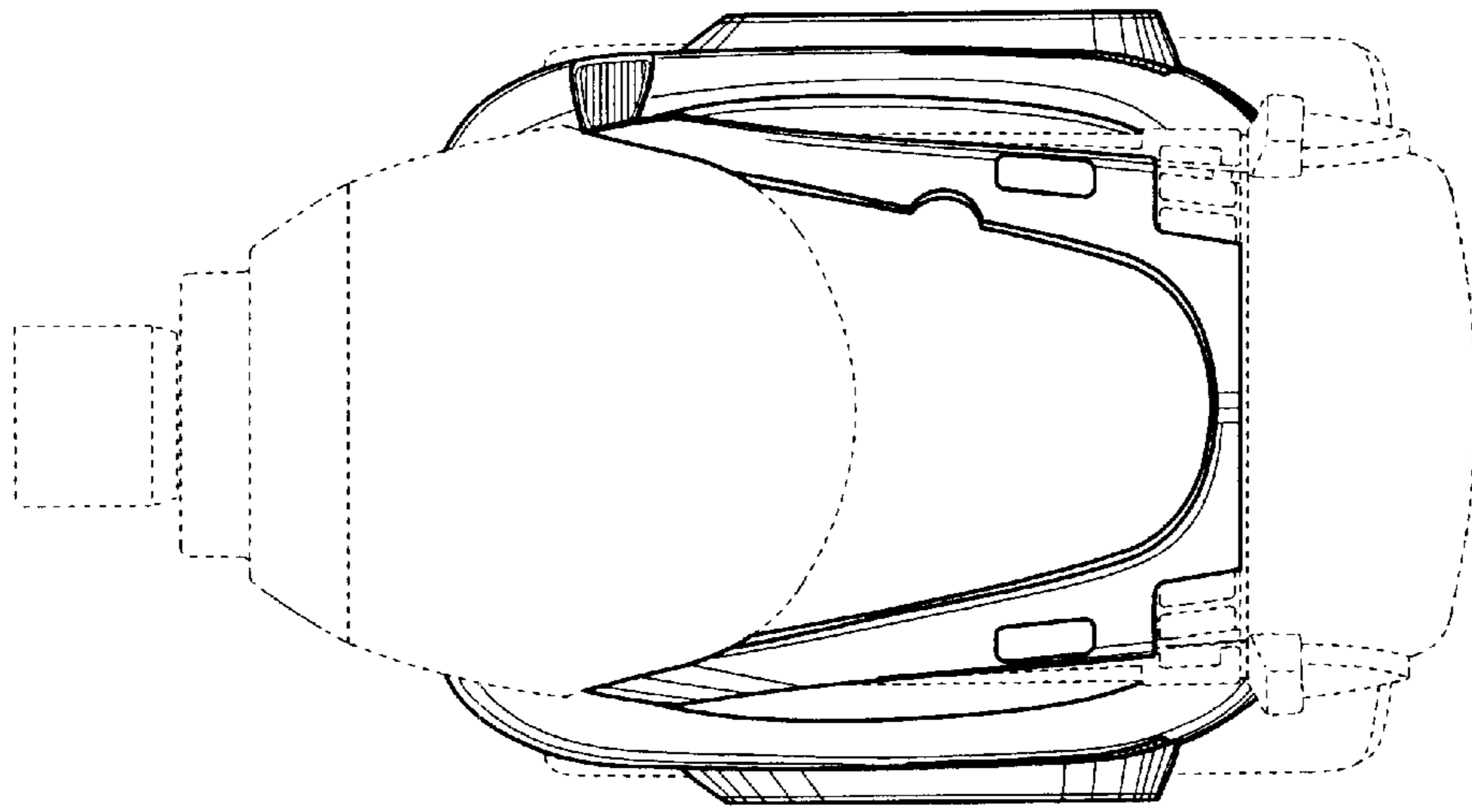


FIG. 7

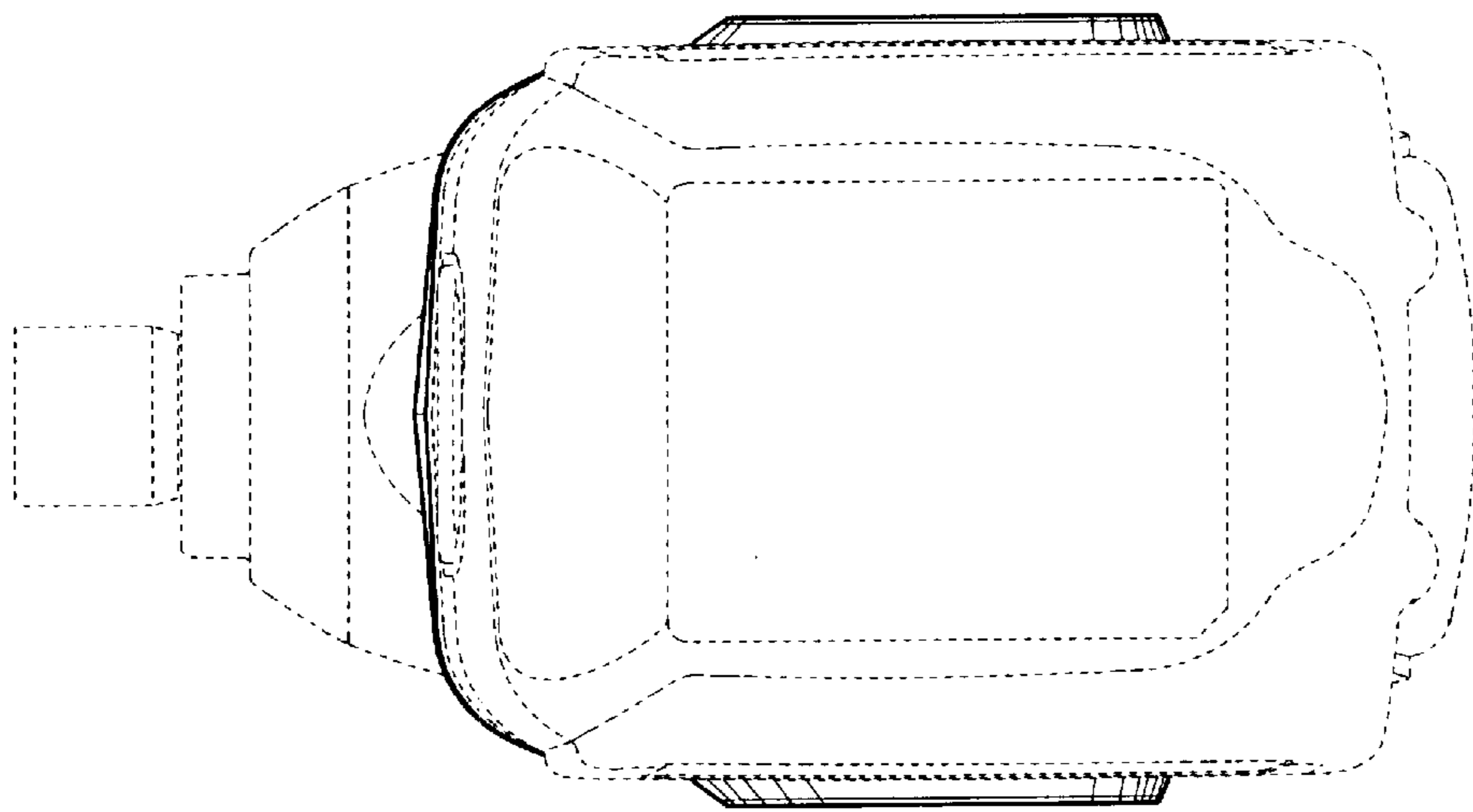


FIG. 8