



US00D528887S

(12) **United States Design Patent**
Wright

(10) **Patent No.:** **US D528,887 S**

(45) **Date of Patent:** **** Sep. 26, 2006**

(54) **POWER TOOL**

(75) Inventor: **Stuart J. Wright**, Timonium, MD (US)

(73) Assignee: **Black & Decker, Inc.**, Newark, DE (US)

(**) Term: **14 Years**

(21) Appl. No.: **29/231,108**

(22) Filed: **Jun. 1, 2005**

(51) **LOC (8) Cl.** **08-01**

(52) **U.S. Cl.** **D8/62**

(58) **Field of Classification Search** D8/69,
D8/67, 62, 61; 173/168; 451/294, 344, 351,
451/359, 358, 357, 356, 354, 353
See application file for complete search history.

(56) **References Cited**

U.S. PATENT DOCUMENTS

D295,824 S	5/1988	Hoshino et al.	
D301,830 S	* 6/1989	Ogawa et al.	D8/62
D324,632 S	3/1992	Nose et al.	
D328,841 S	* 8/1992	Fushiya et al.	D8/62
D332,559 S	* 1/1993	Miyoshi et al.	D8/62

(Continued)

FOREIGN PATENT DOCUMENTS

DE	M 95 06 846	3/1995
DE	M 96 00 111	11/1995
DE	M 95 10 224	12/1995
DE	M 96 01 960	3/1996
DE	M 96 04 464	5/1996
DE	M 96 05 582	6/1996
DE	M 97 01 855	9/1996
DE	DM/041 093	2/1997
DE	M 97 01 858	2/1997
DE	M 97 02 432	3/1997
DE	M 97 06 269	7/1997
DE	M 97 07 886	8/1997
DE	M 98 03 531	11/1997
DE	DM/046 052	11/1998
DE	499 04 554	11/1998

DE	DM/047 995	2/1999
DE	499 08 004	3/1999
DE	499 10 525	8/1999
DE	DM/049 836	11/1999
DE	400 05 179	5/2000
DE	401 05 815	12/2000
DE	402 00 071	7/2001
DE	402 03 412	10/2001
DE	DM/062 266	3/2002
DE	402 02 037	3/2002
DE	402 05 807	7/2002
DE	402 06 200	7/2002
DE	403 00 648	7/2002
DE	403 01 818	9/2002
DE	404 06 137	10/2004

Primary Examiner—Cathron C. Brooks

Assistant Examiner—Austin Murphy

(74) *Attorney, Agent, or Firm*—Mehul R. Jani; Adan Ayala

(57) **CLAIM**

The ornamental design for a power tool, as shown and described.

DESCRIPTION

FIG. 1 is a perspective view of a power tool showing the new design.

FIG. 2 is a front elevational view thereof.

FIG. 3 is a rear elevational view thereof.

FIG. 4 is a right side elevational view thereof.

FIG. 5 is a left side elevational view thereof.

FIG. 6 is a top plan view thereof.

FIG. 7 is a bottom plan view thereof.

FIG. 8 is a perspective view of a second embodiment of a power tool showing the new design.

FIG. 9 is a front elevational view thereof.

FIG. 10 is a rear elevational view thereof.

FIG. 11 is a right side elevational view thereof.

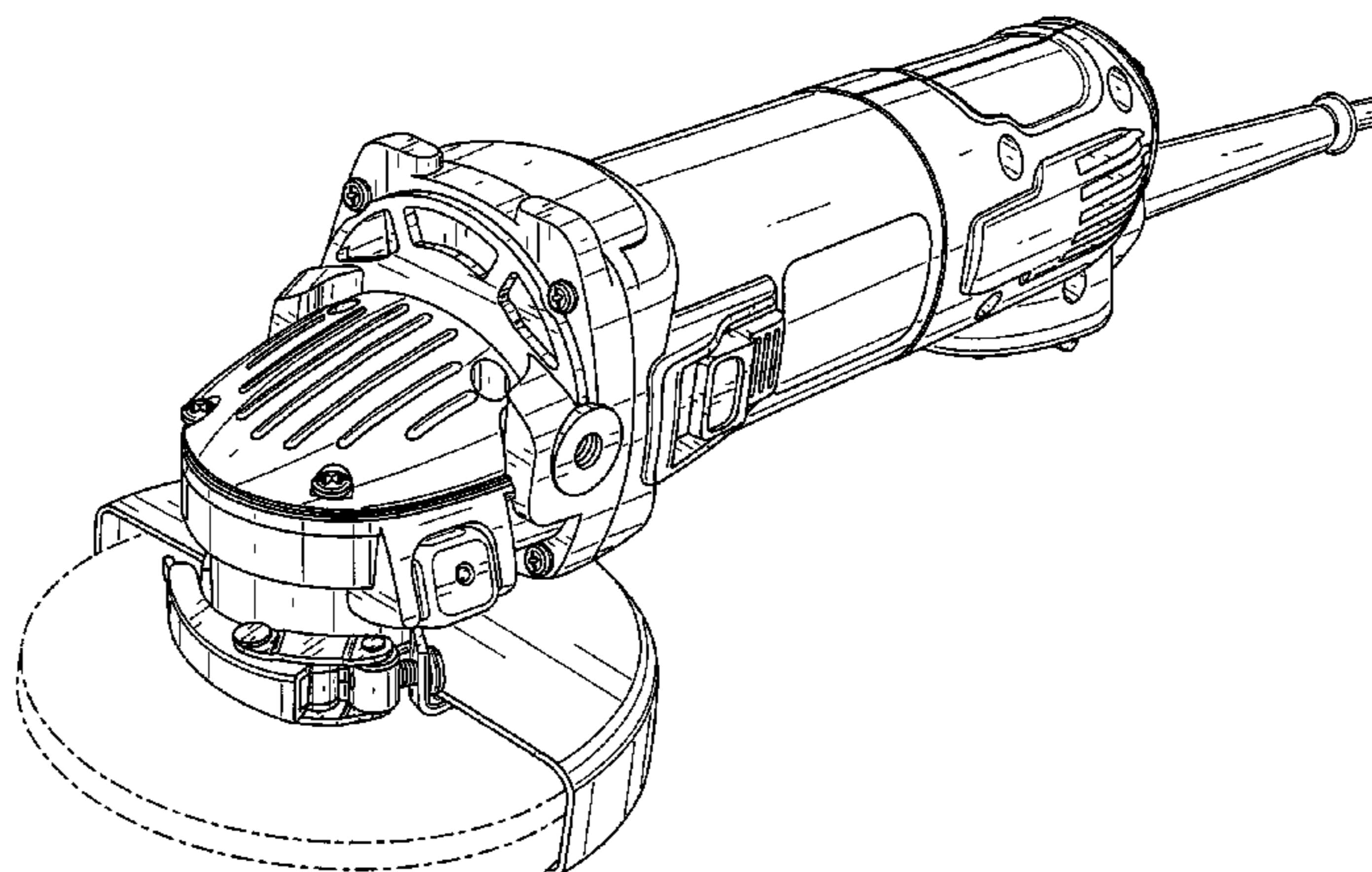
FIG. 12 is a left side elevational view thereof.

FIG. 13 is a top plan view thereof; and,

FIG. 14 is a bottom plan view thereof.

The broken lines shown in the drawings form no part of the claimed design.

1 Claim, 12 Drawing Sheets



US D528,887 S

Page 2

U.S. PATENT DOCUMENTS

D332,560 S	*	1/1993	Mikiya	D8/62	D437,199 S	*	2/2001	Robson	D8/62
D347,153 S	*	5/1994	Uneyama	D8/62	D438,077 S		2/2001	Schmid	
D351,772 S	*	10/1994	Price	D8/62	D447,029 S	*	8/2001	Sun et al.	D8/61
D378,183 S	*	2/1997	Dognini	D8/62	D453,098 S		1/2002	Pretzell	
D394,594 S		5/1998	Chung		D453,288 S		2/2002	Lui	
D396,175 S	*	7/1998	Chung	D8/62	D468,179 S		1/2003	Hayakawa et al.	
D402,870 S	*	12/1998	Etter et al.	D8/62	6,511,369 B1	*	1/2003	Chi	451/344
D408,244 S		4/1999	Price		D479,452 S		9/2003	Cho	
D411,424 S	*	6/1999	Saito	D8/62	D479,969 S	*	9/2003	Robson et al.	D8/62
D423,898 S	*	5/2000	Kelley	D8/64	D491,033 S		6/2004	Bian	
6,120,362 A		9/2000	Etter et al.		D500,945 S		1/2005	Wright	
D433,906 S		11/2000	Heun						

* cited by examiner

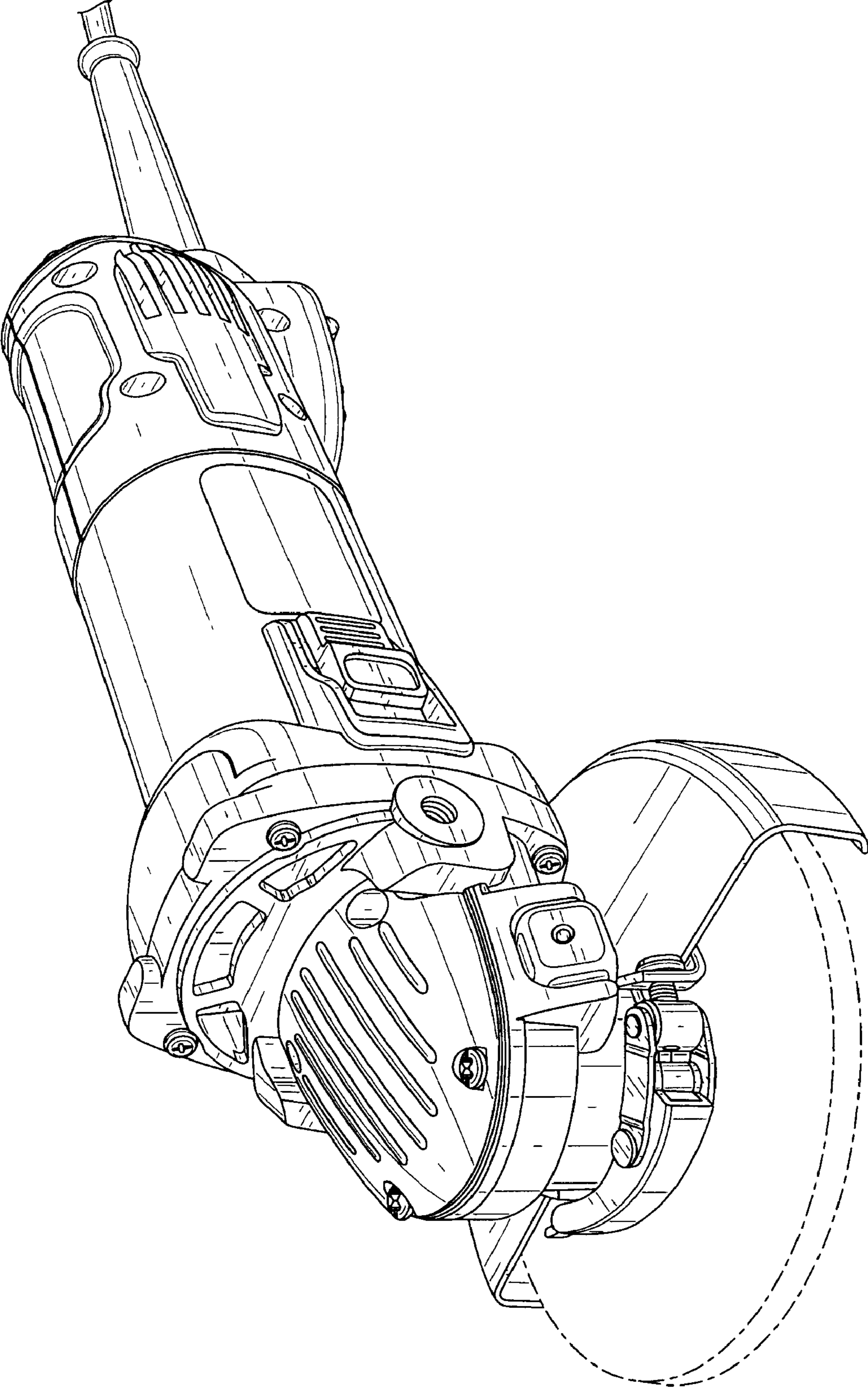


FIG. 1

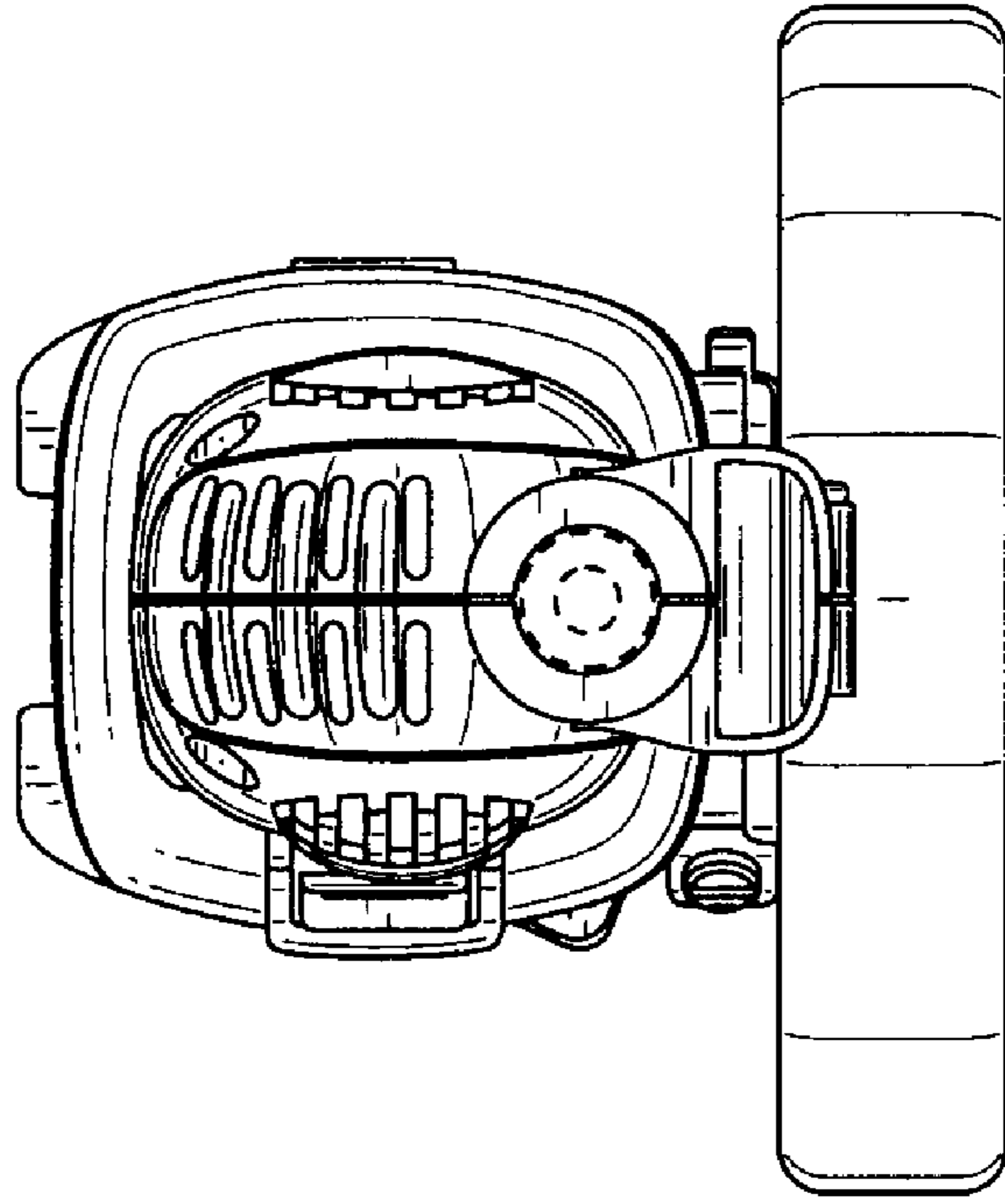


FIG. 3

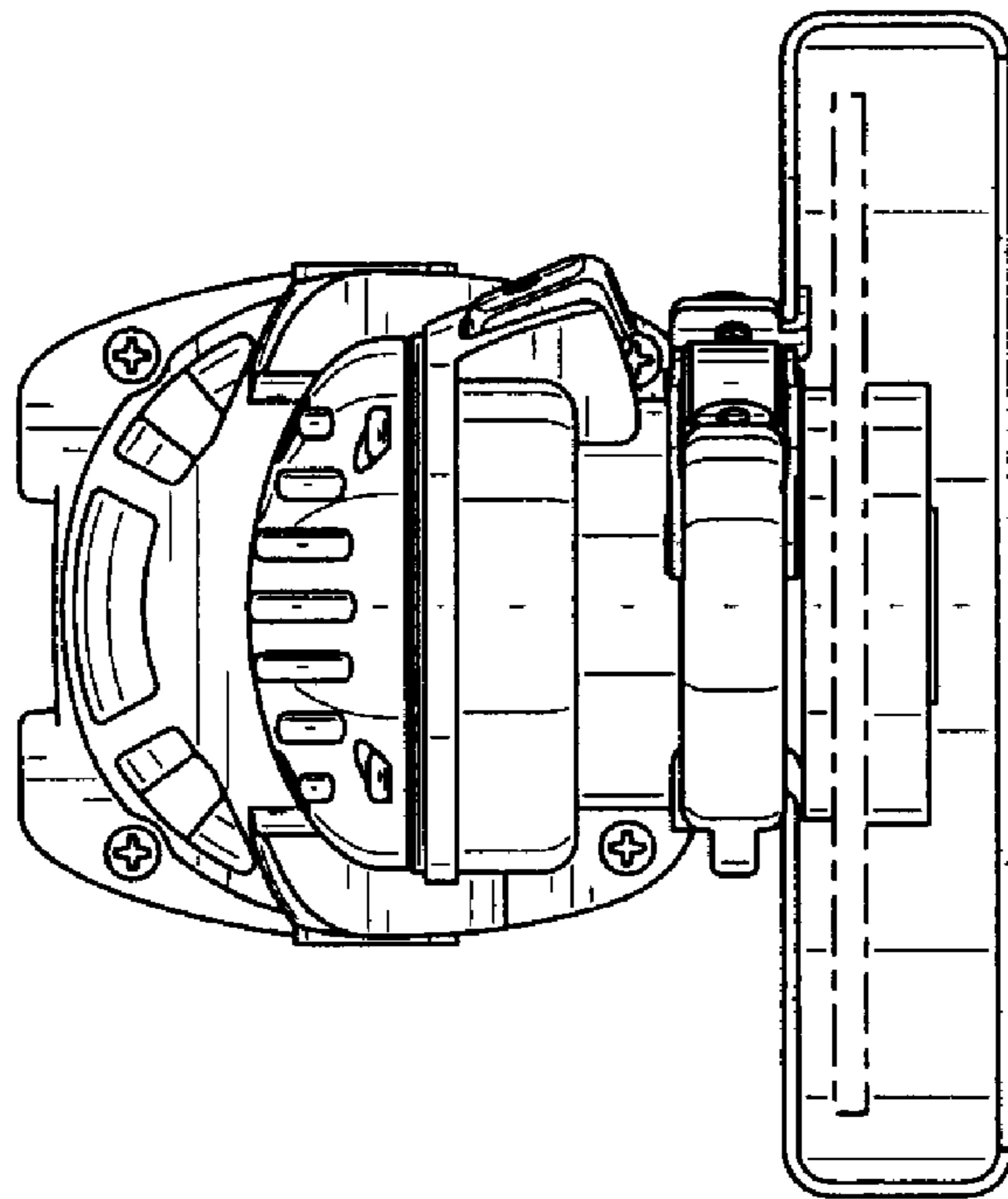


FIG. 2

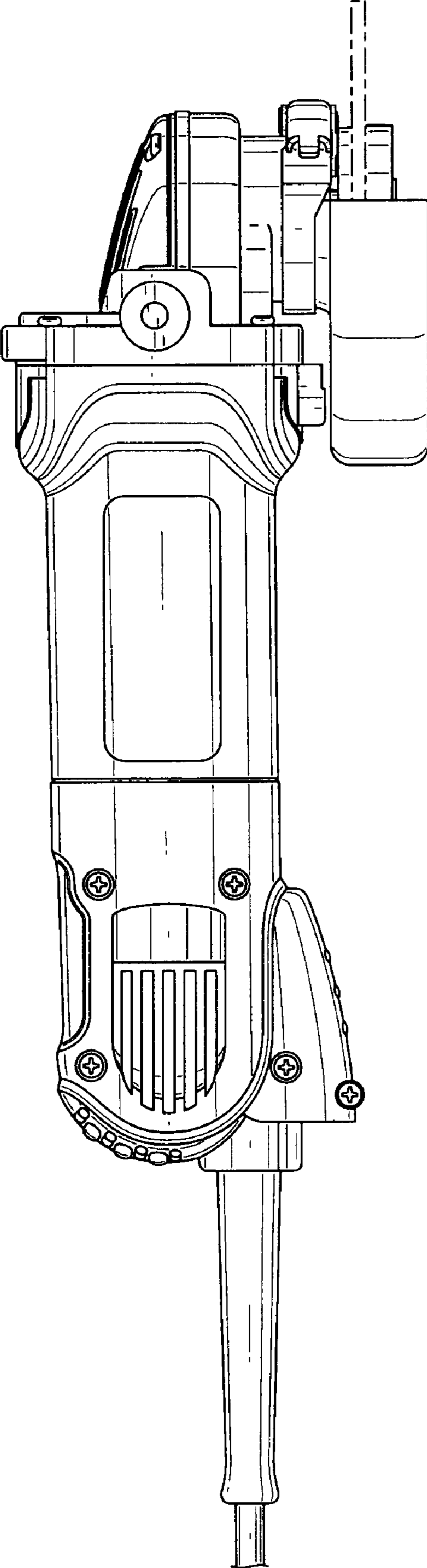


FIG. 4

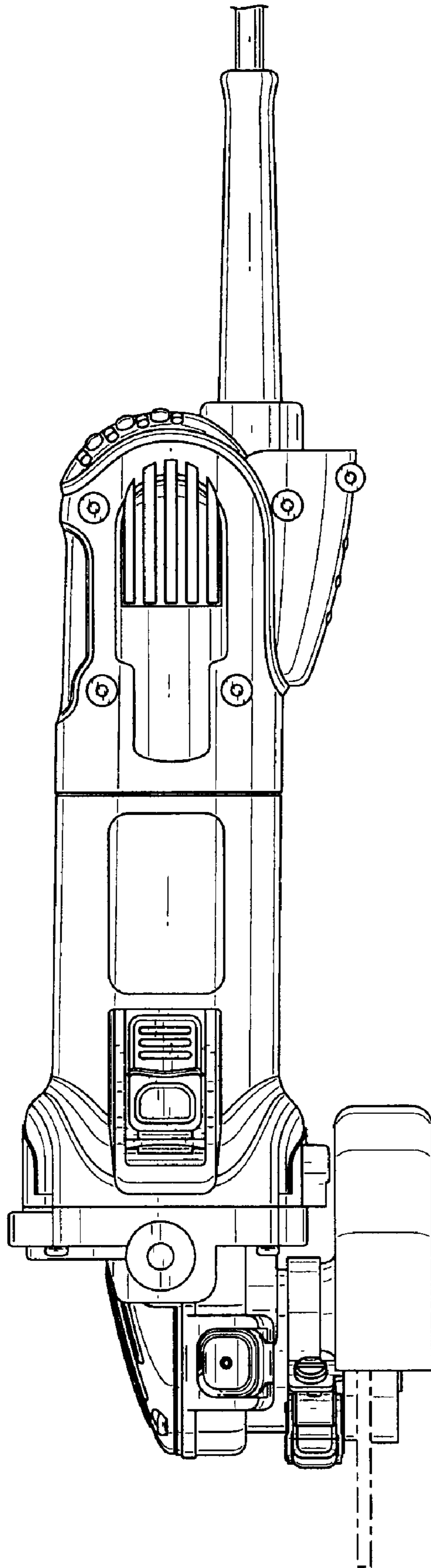


FIG. 5

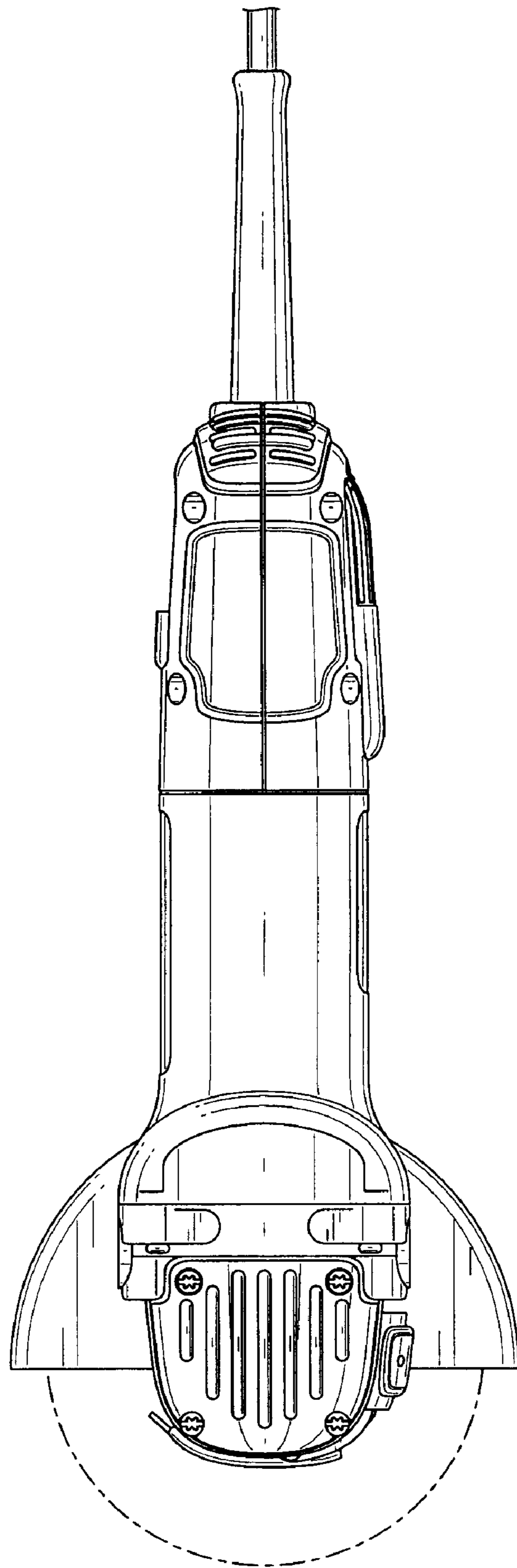


FIG. 6

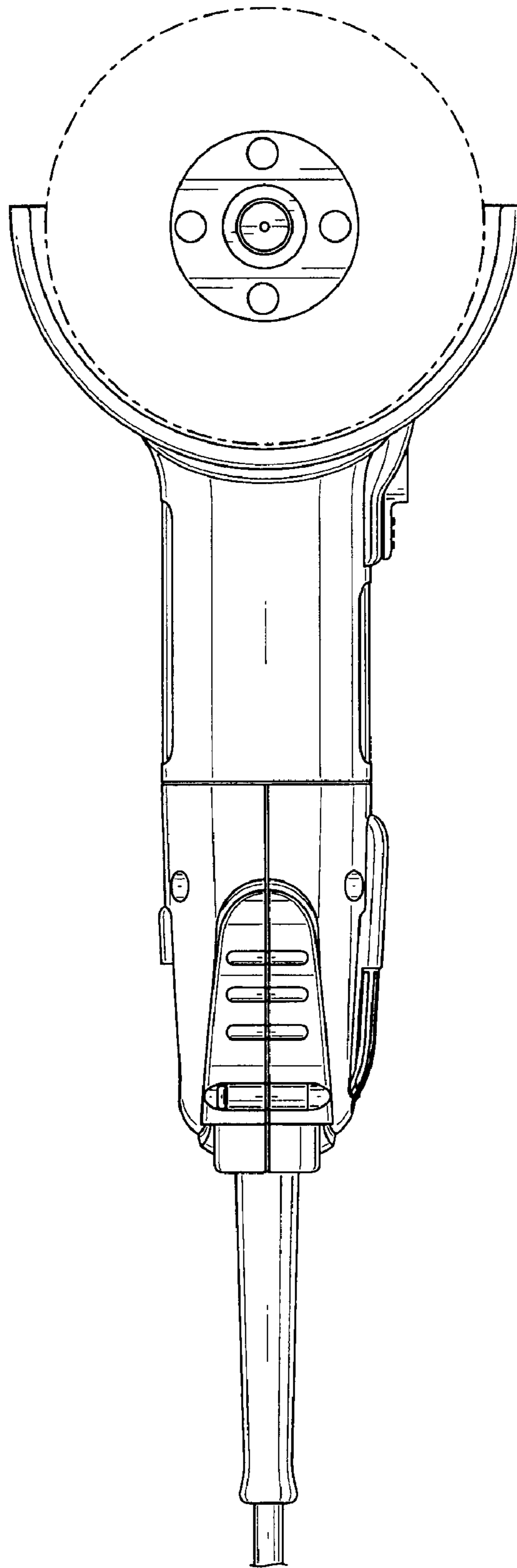


FIG. 7

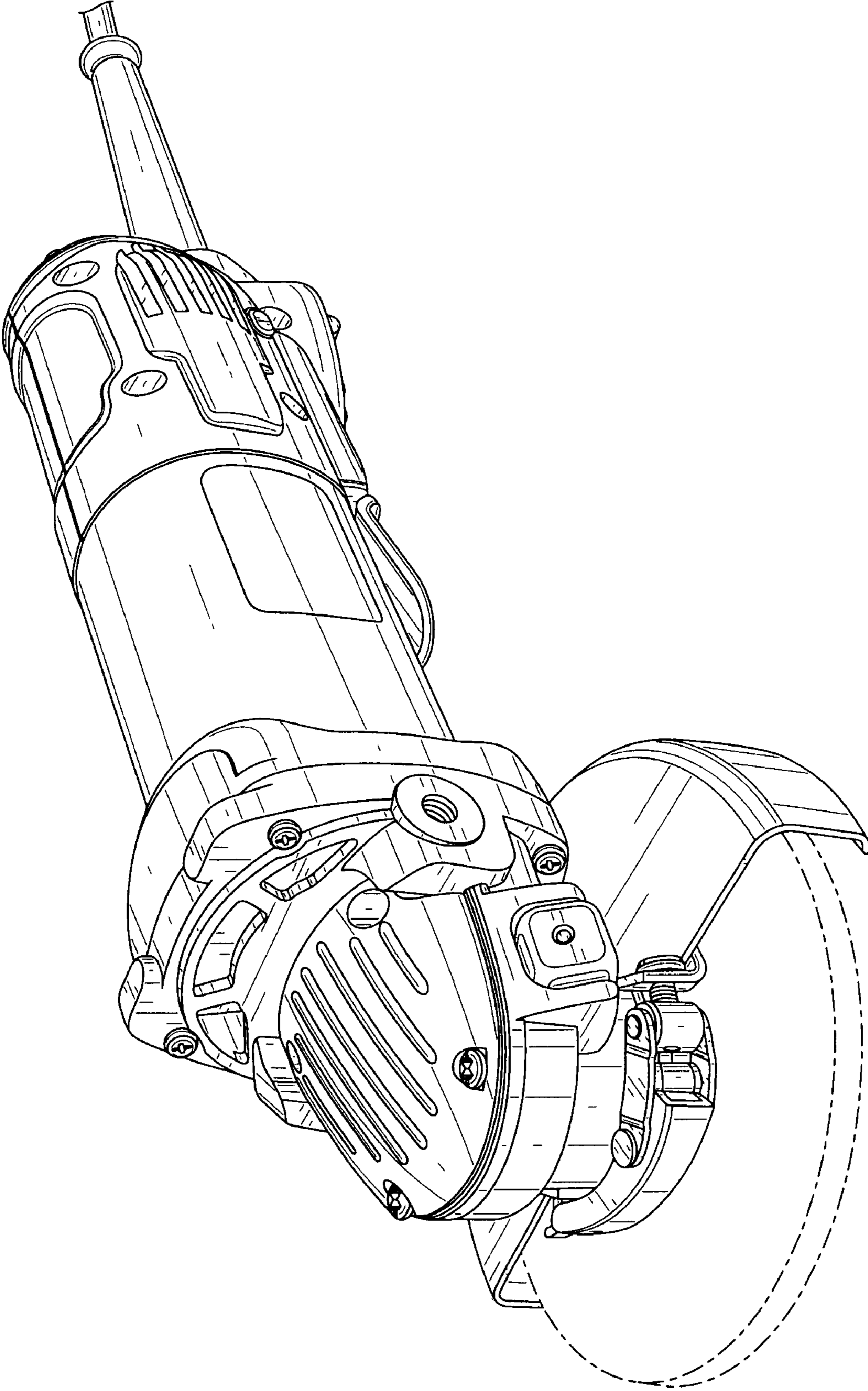


FIG. 8

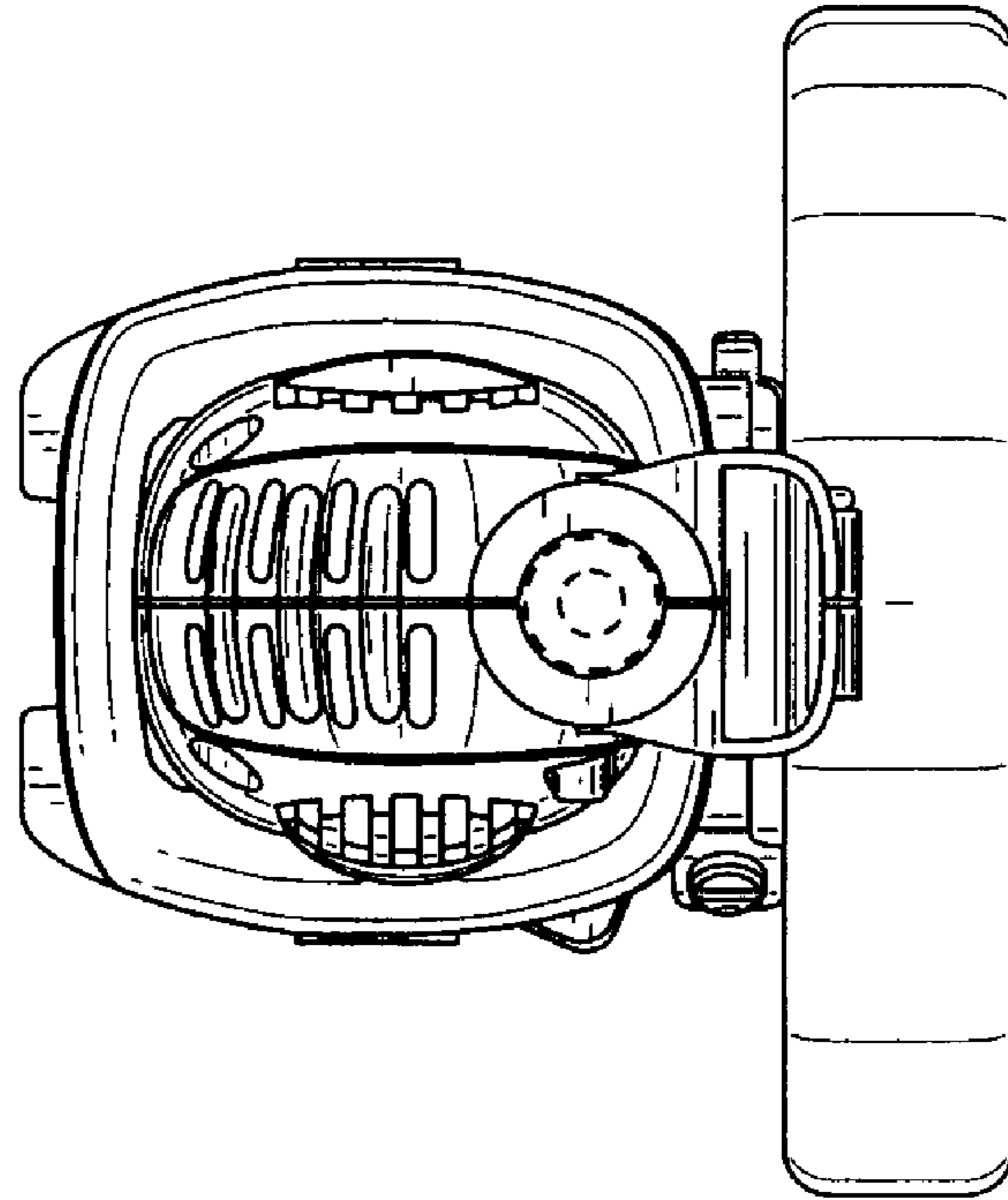


FIG. 9

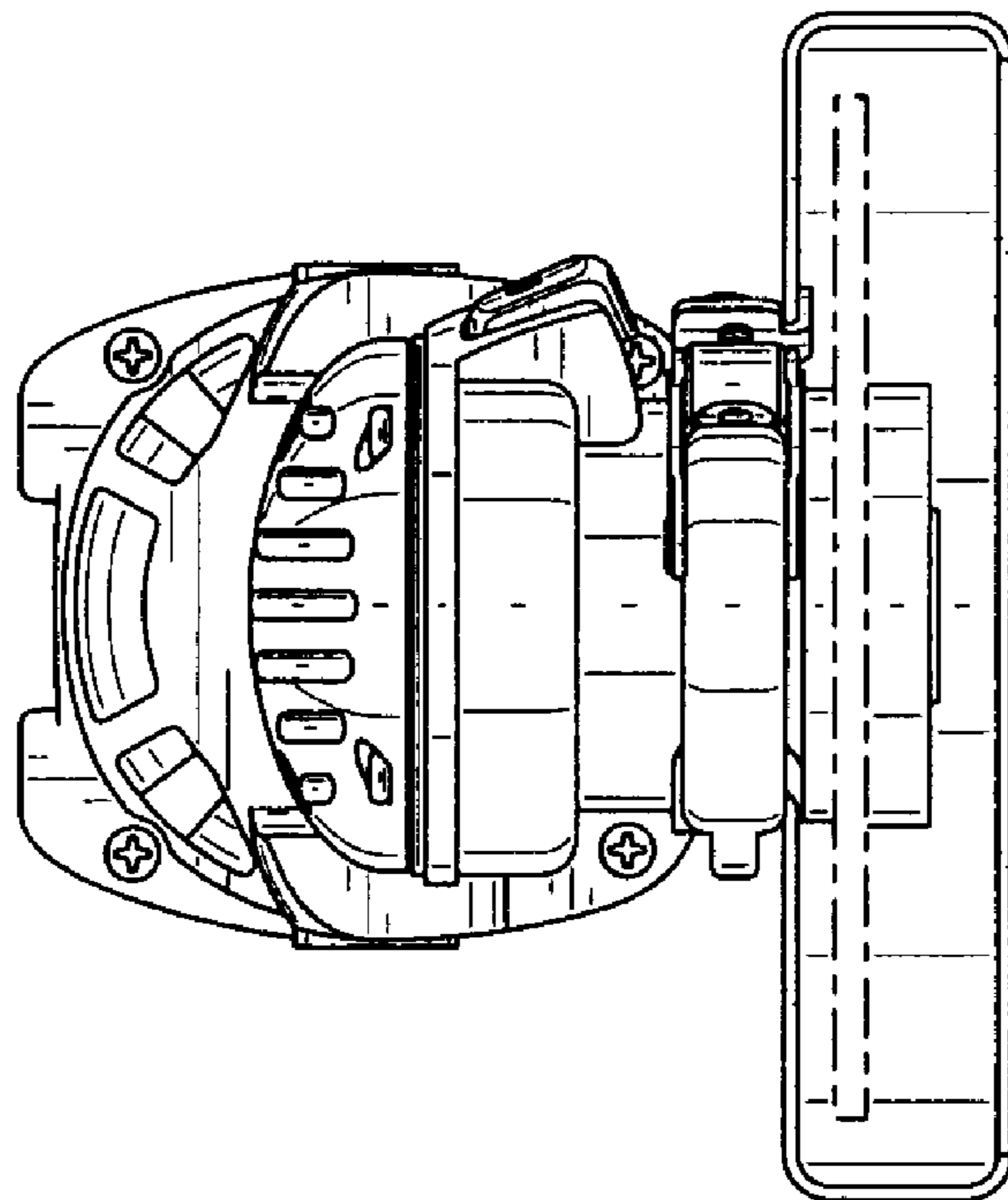


FIG. 10

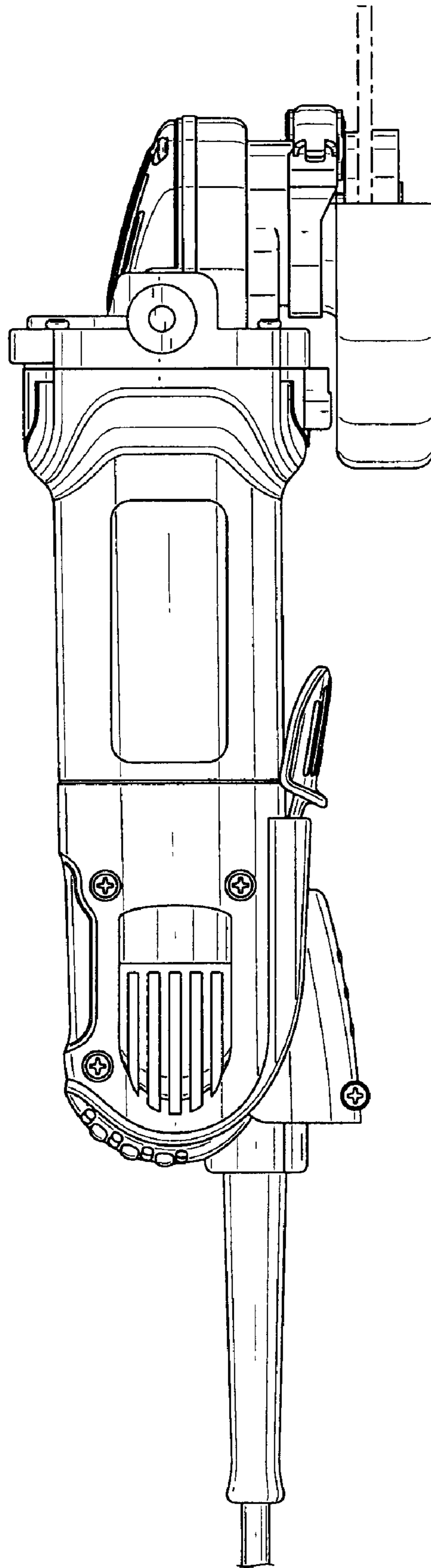


FIG. 11

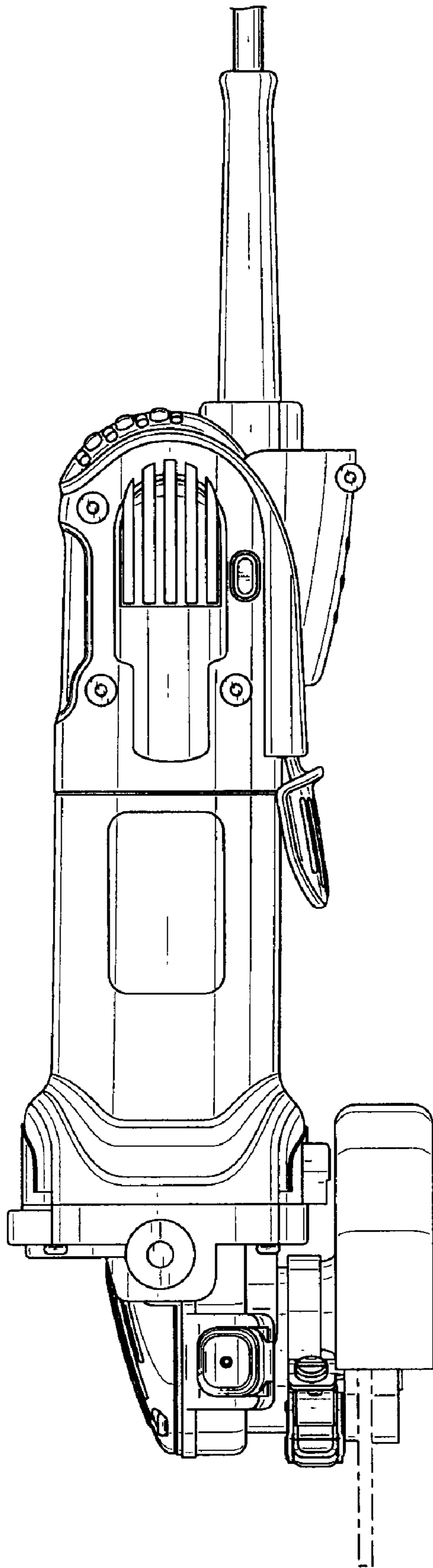


FIG. 12

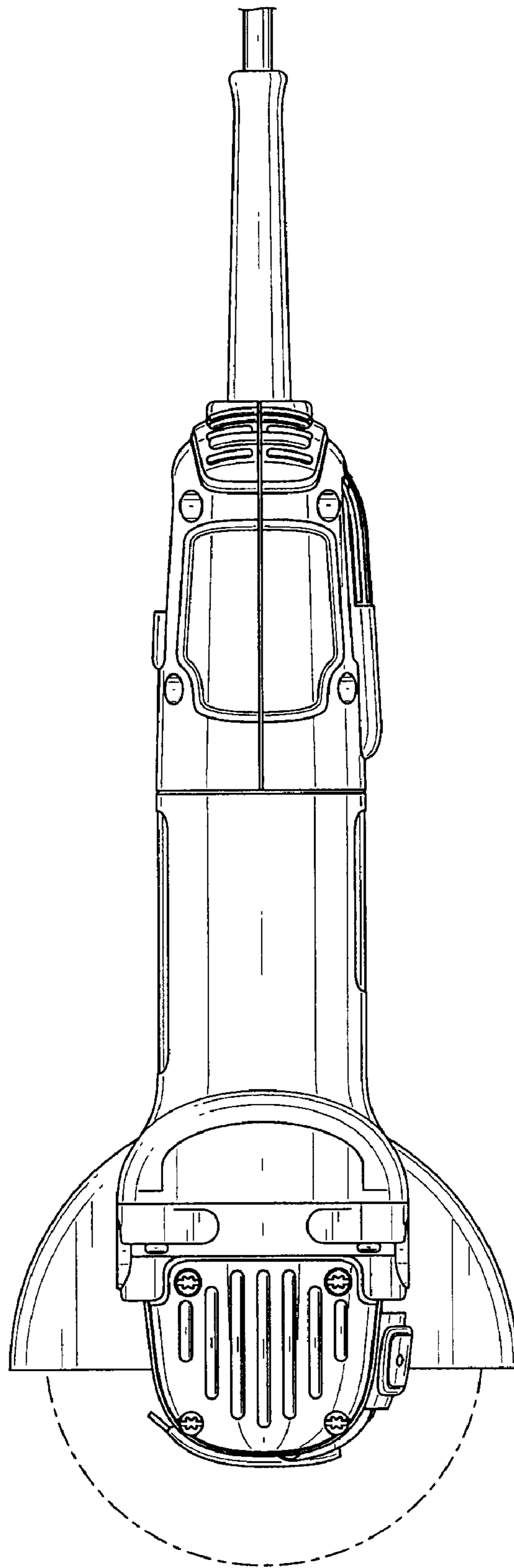


FIG. 13

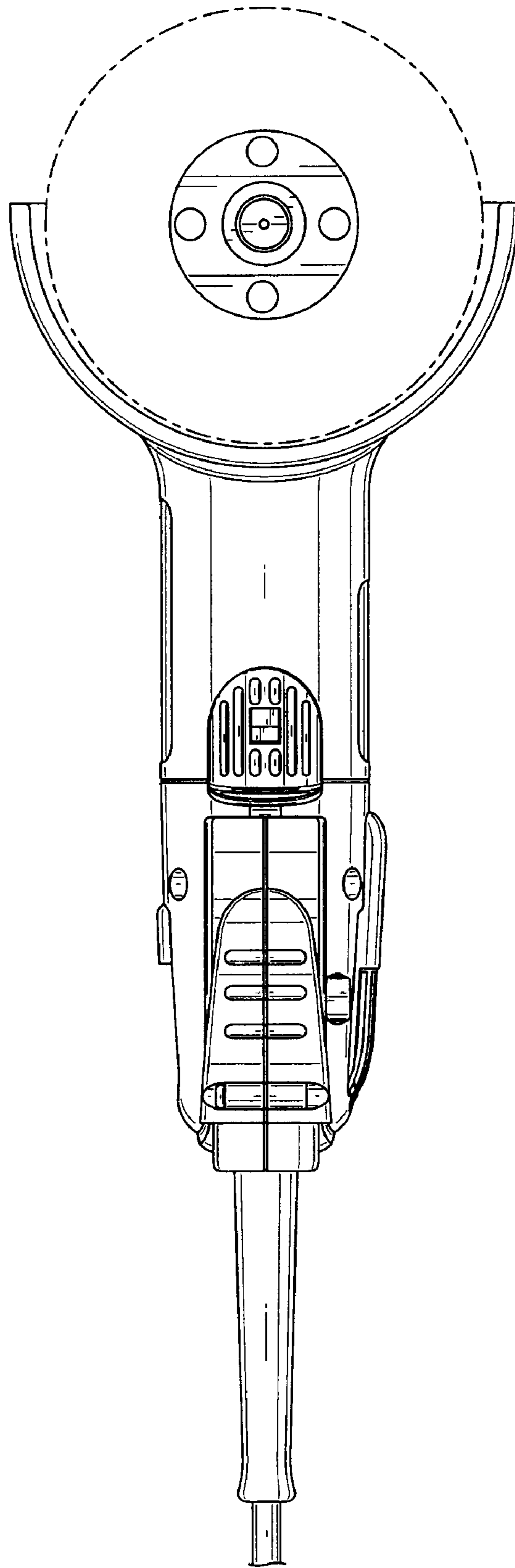


FIG. 14