



US00D528886S

(12) **United States Design Patent**
Heun

(10) **Patent No.:** **US D528,886 S**

(45) **Date of Patent:** **** Sep. 26, 2006**

(54) **ELECTRIC SANDER**

(75) Inventor: **Ping Hay Heun**, Aberdeen (CN)

(73) Assignee: **Choon Nang Electrical Appliance Mfy., Ltd.**, Aberdeen (HK)

(**) Term: **14 Years**

(21) Appl. No.: **29/222,131**

(22) Filed: **Jan. 25, 2005**

(30) **Foreign Application Priority Data**

Dec. 15, 2004 (HK) 0412877

(51) **LOC (8) Cl.** **08-01**

(52) **U.S. Cl.** **D8/62**

(58) **Field of Classification Search** D8/67,
D8/62, 61; D32/15, 17, 19; D4/102; 451/456,
451/451, 359, 358, 357, 356, 355, 354, 353,
451/351, 344

See application file for complete search history.

(56) **References Cited**

U.S. PATENT DOCUMENTS

D326,398 S * 5/1992 Fushiya et al. D8/62
D332,734 S * 1/1993 Fushiya et al. D4/102
5,419,737 A * 5/1995 Brazell et al. 451/453
D386,376 S * 11/1997 Kaneko et al. D8/62

D392,861 S * 3/1998 Gildersleeve et al. D8/62
D416,112 S * 11/1999 Holliday et al. D32/19
D448,262 S * 9/2001 Heun D8/62
D468,178 S * 1/2003 Wright et al. D8/62
D469,933 S * 2/2003 Liang-Ming D32/15
D478,488 S * 8/2003 Bruno et al. D8/62
D509,417 S * 9/2005 Wikle et al. D8/62

* cited by examiner

Primary Examiner—Cathron C. Brooks

Assistant Examiner—Austin Murphy

(74) *Attorney, Agent, or Firm*—Alix, Yale & Ristas, LLP

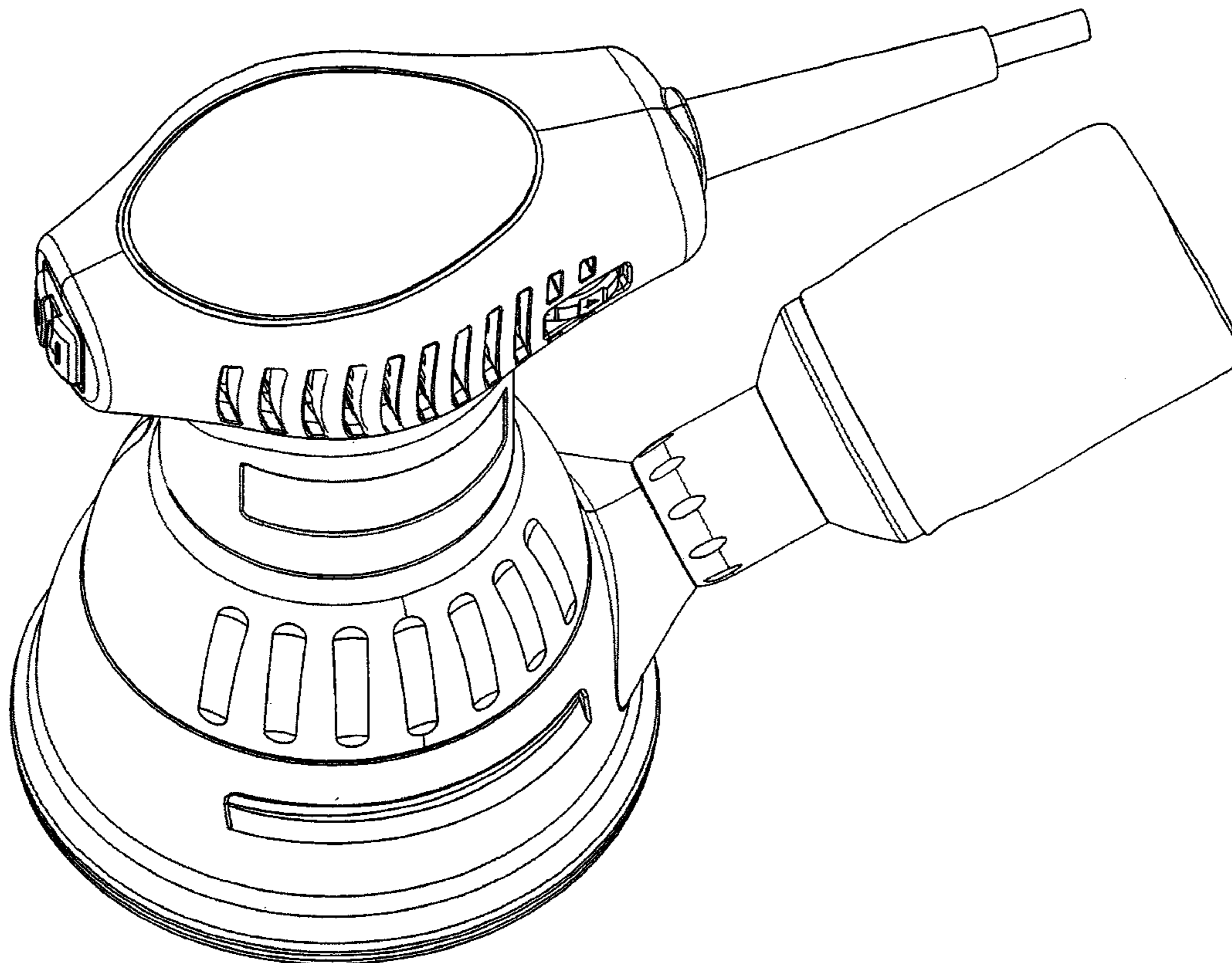
(57) **CLAIM**

The ornamental design for an electric sander, as shown and described.

DESCRIPTION

FIG. 1 is a front, left side and top perspective view of an electric sander showing my new design;
FIG. 2 is a rear, right side and top perspective view thereof;
FIG. 3 is a left side elevational view thereof;
FIG. 4 is a right side elevational view thereof;
FIG. 5 is a front side elevational view thereof;
FIG. 6 is a rear side elevational view thereof;
FIG. 7 is a top plan view thereof; and,
FIG. 8 is a bottom plan view thereof.

1 Claim, 7 Drawing Sheets



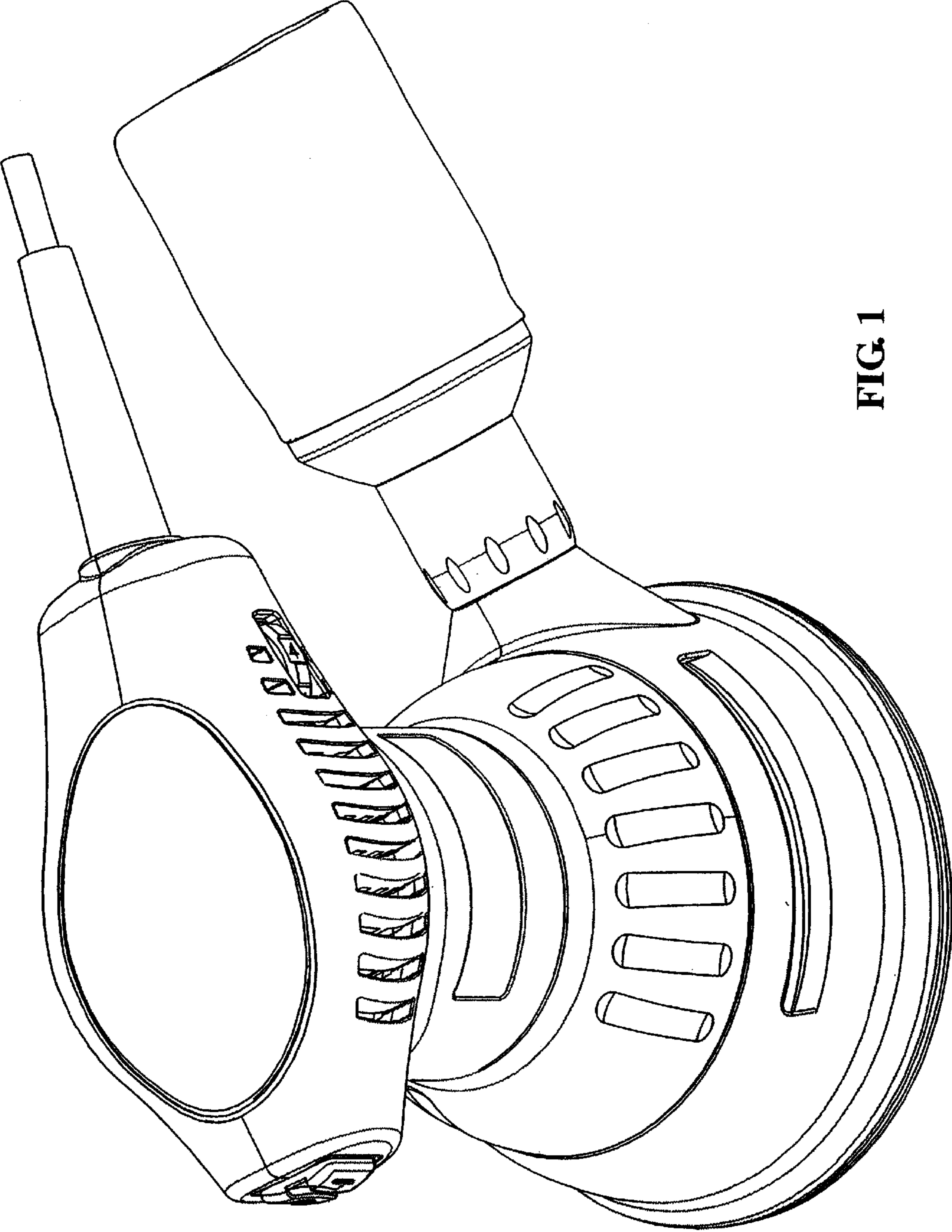


FIG. 1

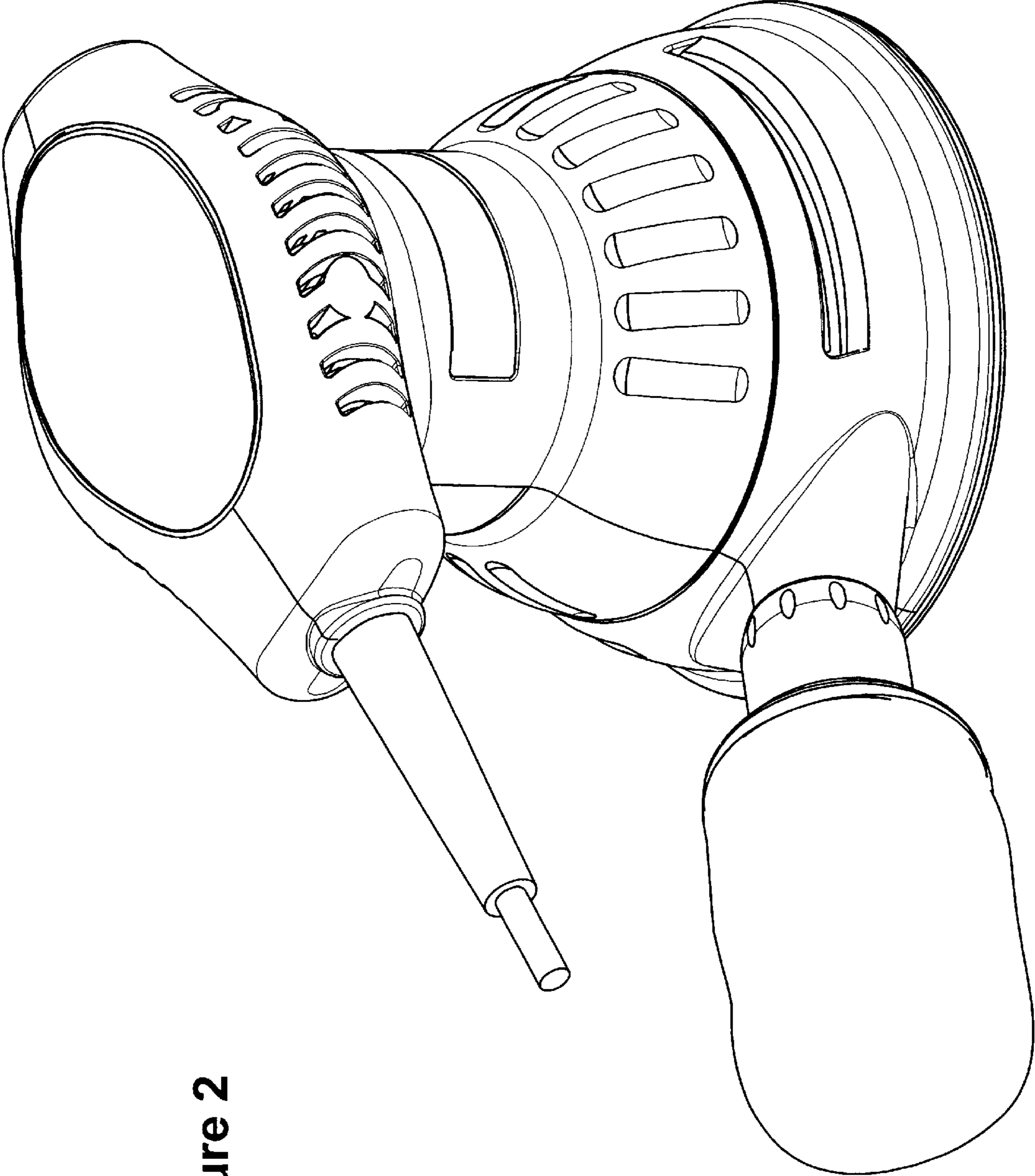


Figure 2

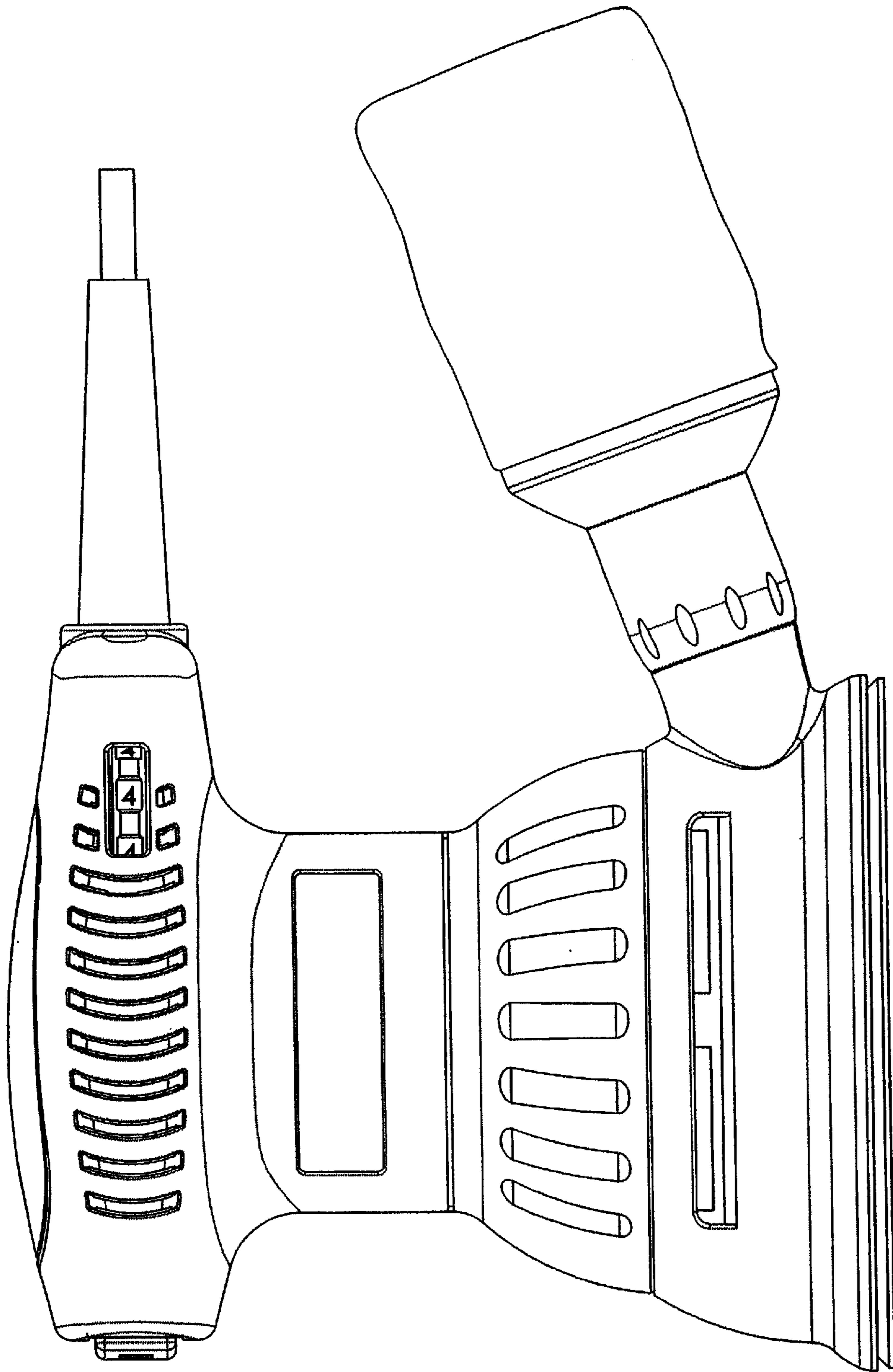


FIG. 3

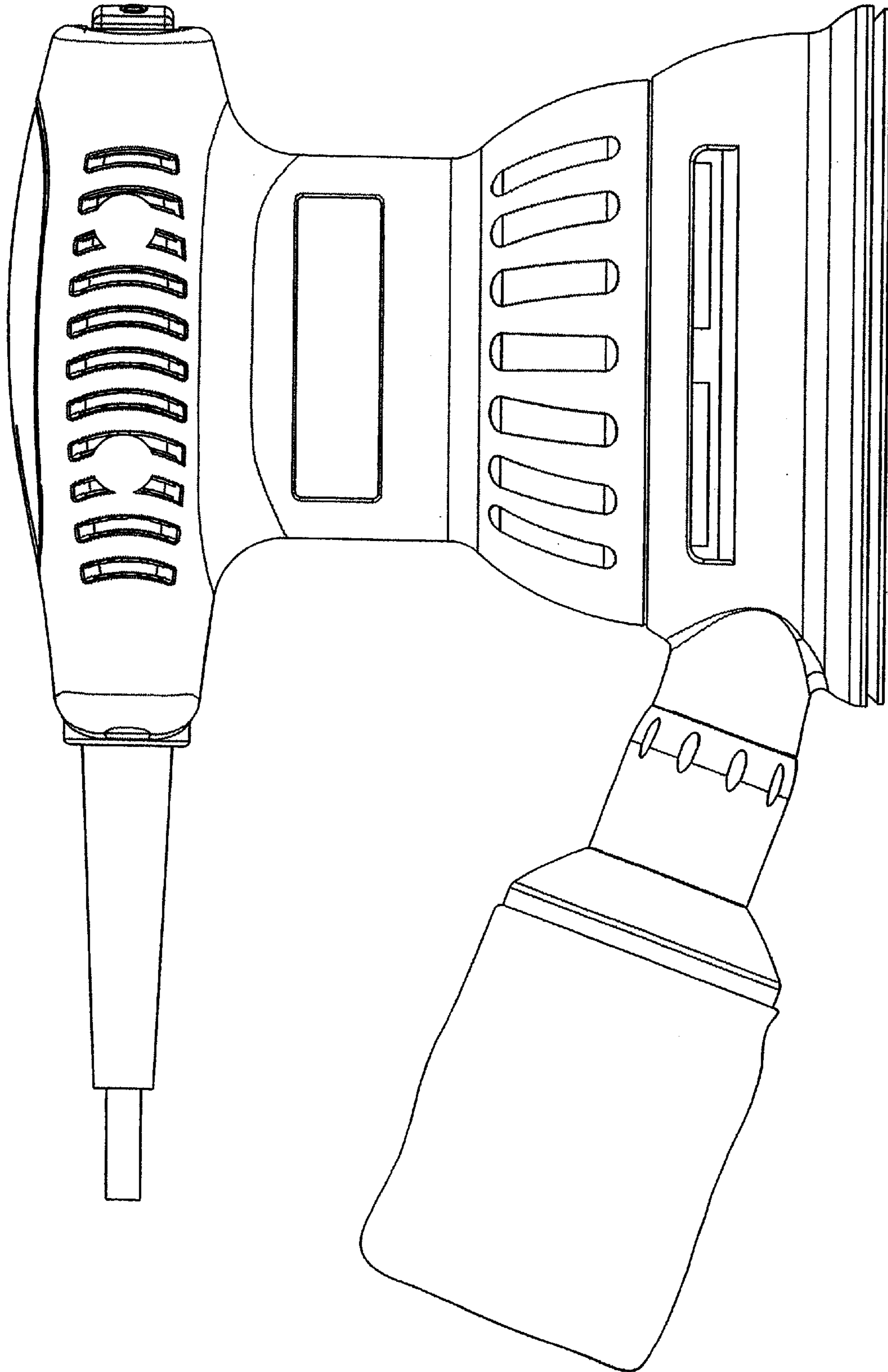


FIG. 4

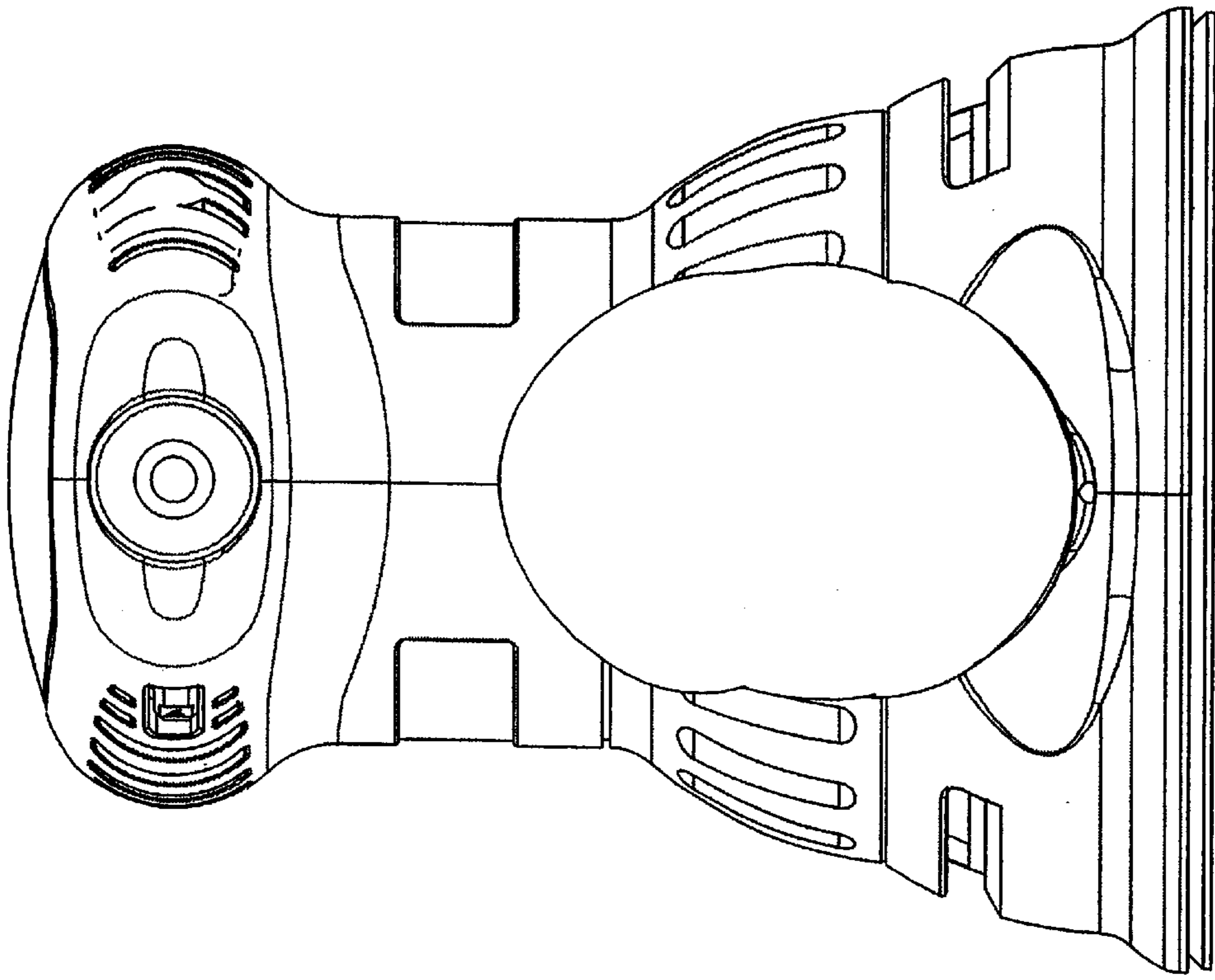


FIG. 6

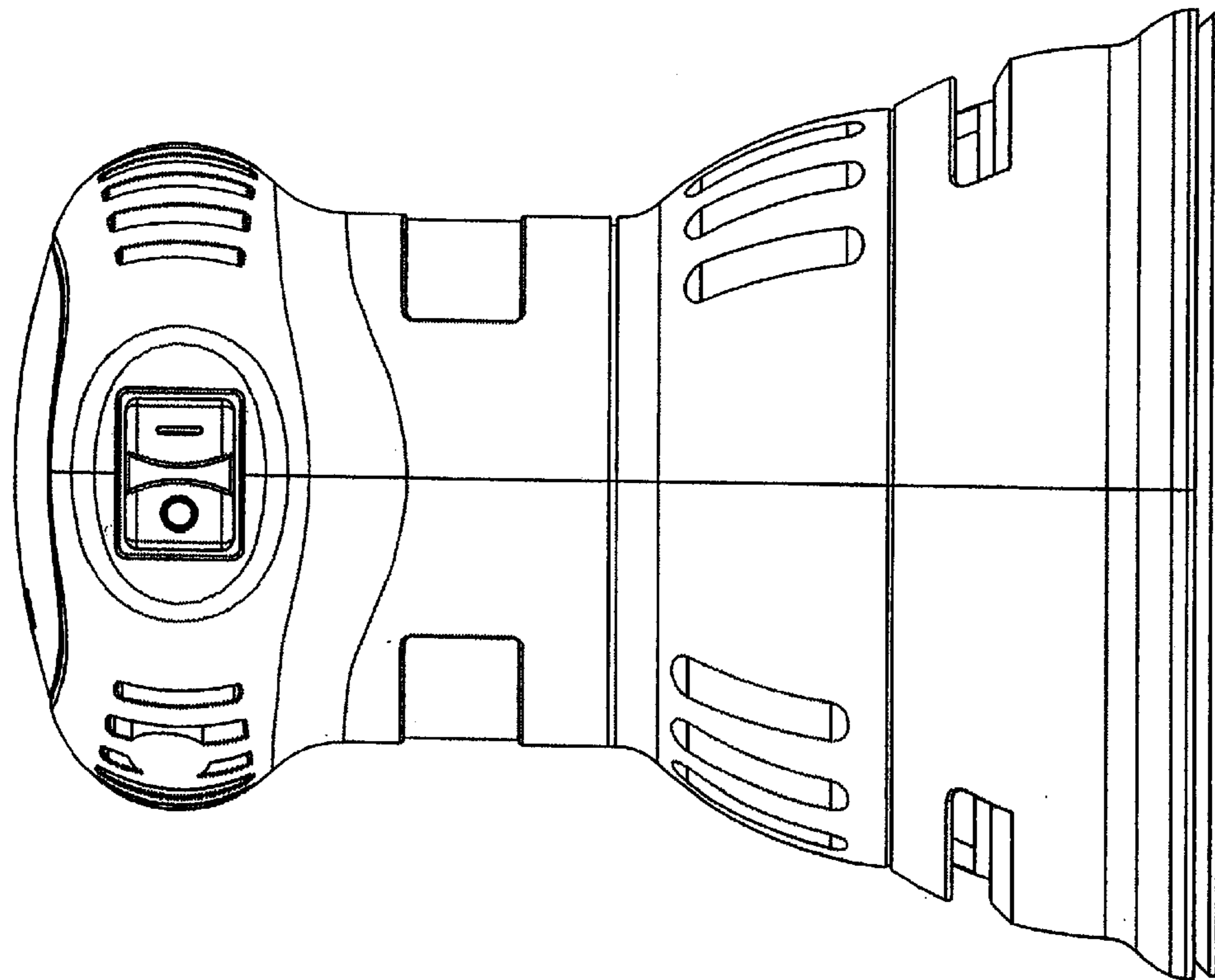


FIG. 5

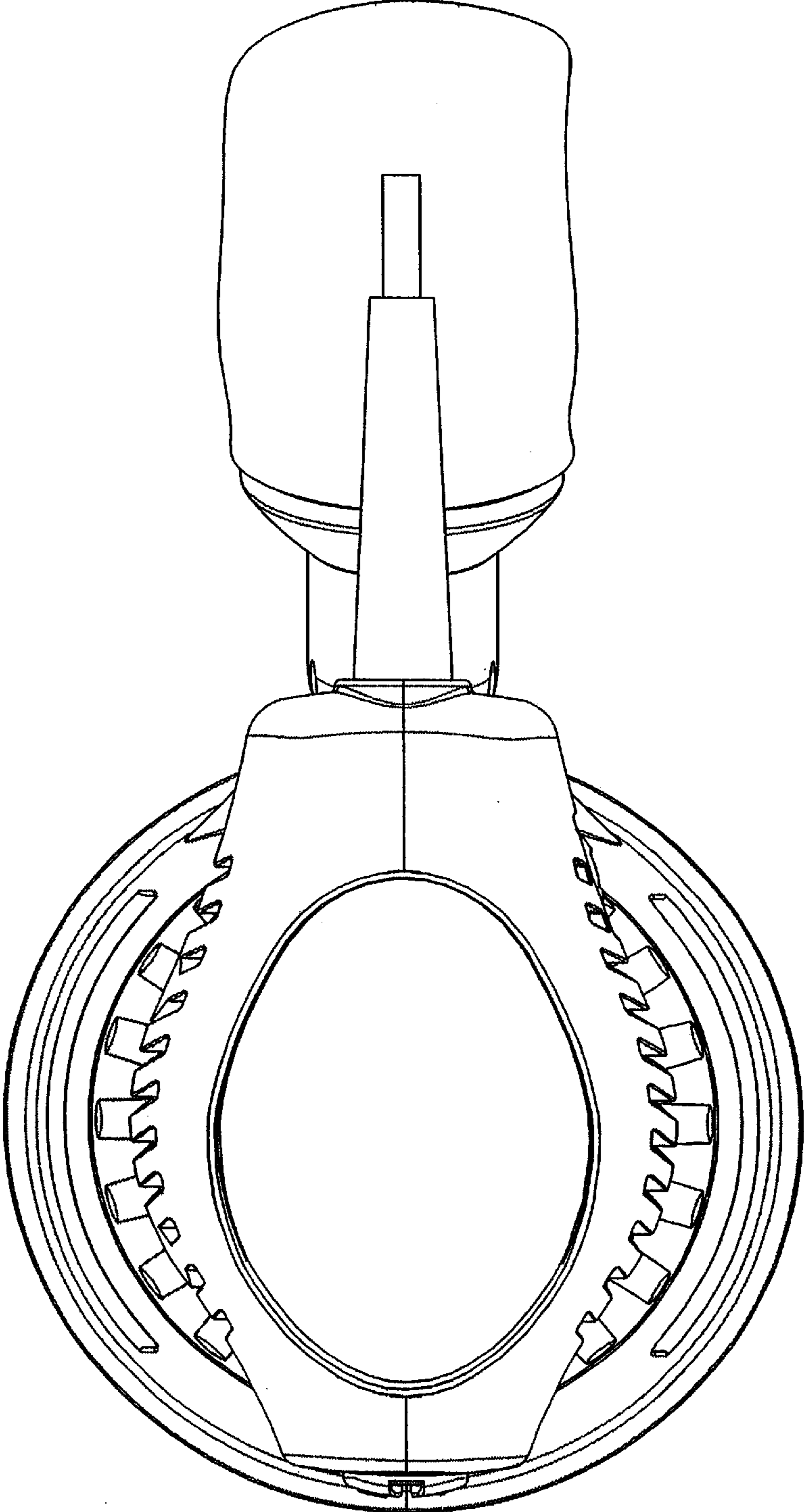


FIG. 7

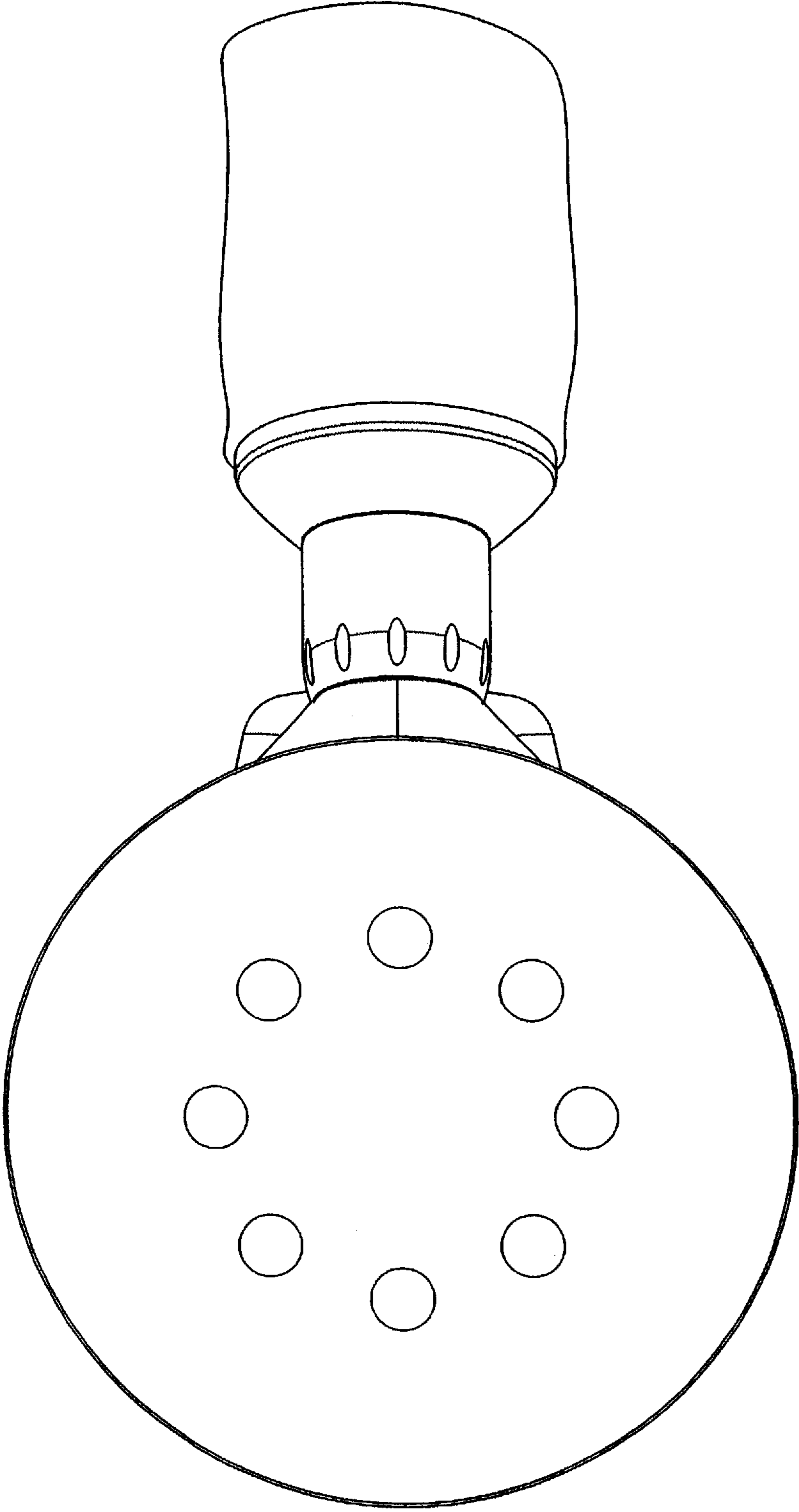


FIG. 8