



US00D52885S

(12) **United States Design Patent**
Tsai

(10) **Patent No.:** **US D528,885 S**

(45) **Date of Patent:** **** Sep. 26, 2006**

(54) **STAPLER**

(76) Inventor: **Ching-Tsung Tsai**, No. 364, Sec. 2,
Mei Liao, Rd, Chu In Li, Ho Mei,
Chang Hua (TW)

(**) Term: **14 Years**

(21) Appl. No.: **29/217,844**

(22) Filed: **Nov. 24, 2004**

(51) **LOC (8) Cl.** **08-01**

(52) **U.S. Cl.** **D8/50**

(58) **Field of Classification Search** D8/49,
D8/50, 61; D19/72; 227/120, 127, 128, 131,
227/132, 134, 156

See application file for complete search history.

(56) **References Cited**

U.S. PATENT DOCUMENTS

D384,259 S	*	9/1997	Smith	D8/50
5,797,535 A	*	8/1998	Lovegrove et al.	227/120
D414,999 S	*	10/1999	Wilson et al.	D8/50
D422,862 S	*	4/2000	Wilson et al.	D8/50
6,601,747 B1	*	8/2003	Chi Kuo	227/76

D479,449 S	*	9/2003	Kramer et al.	D8/50
D482,584 S	*	11/2003	Racamier	D8/50
D514,905 S	*	2/2006	Bhavnani	D8/50
D516,397 S	*	3/2006	Kent et al.	D8/50

* cited by examiner

Primary Examiner—Cathron C. Brooks

Assistant Examiner—Austin Murphy

(74) *Attorney, Agent, or Firm*—Troxell Law Office, PLLC

(57) **CLAIM**

I claim the ornamental design for a stapler, as shown and described.

DESCRIPTION

FIG. 1 is a front perspective view of a stapler showing my new design;

FIG. 2 is a front elevational view thereof;

FIG. 3 is a rear elevational view thereof.

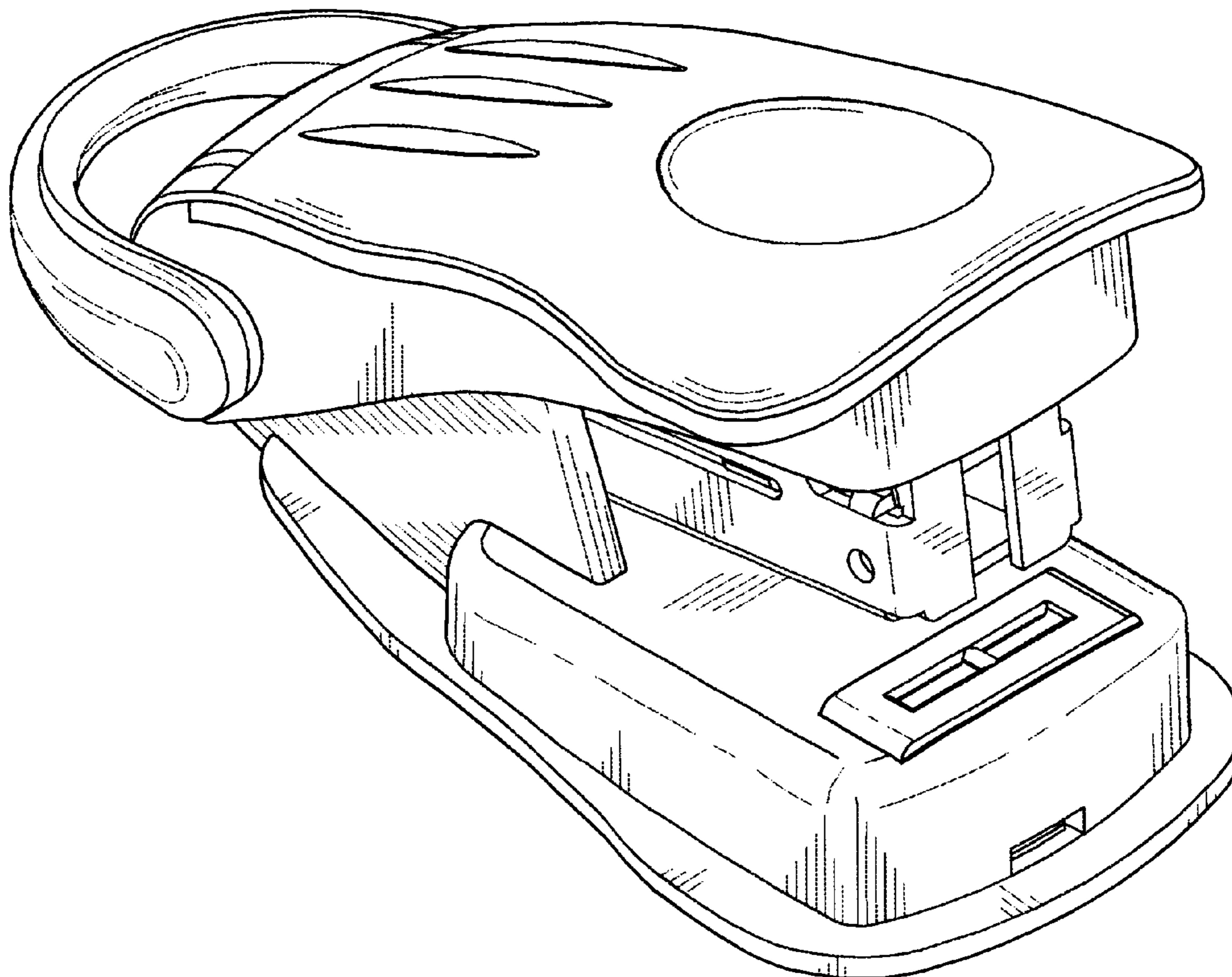
FIG. 4 is a left side elevational view thereof;

FIG. 5 is a right side elevational view thereof;

FIG. 6 is a top plan view thereof; and,

FIG. 7 is a bottom plan view thereof.

1 Claim, 7 Drawing Sheets



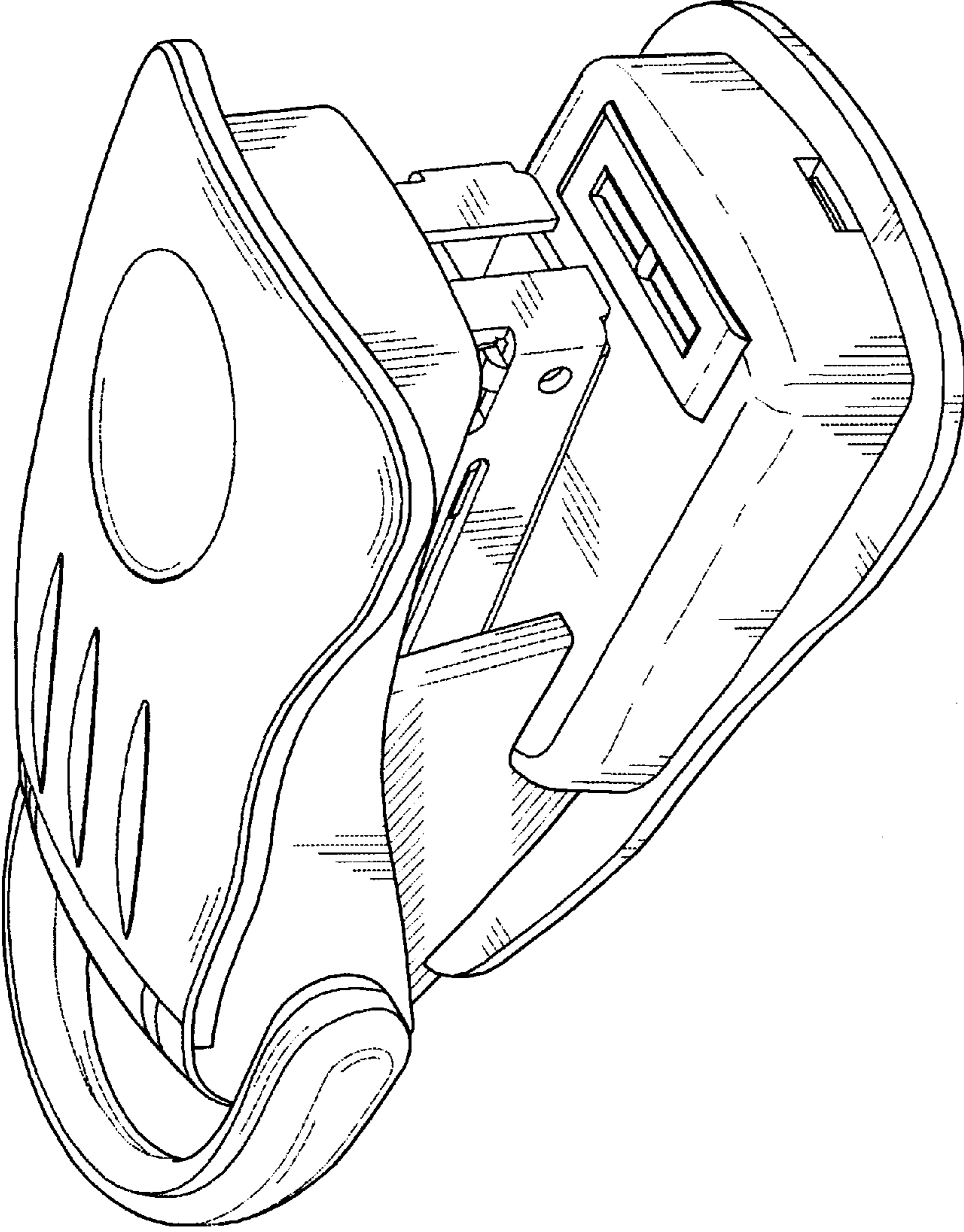


FIG. 1

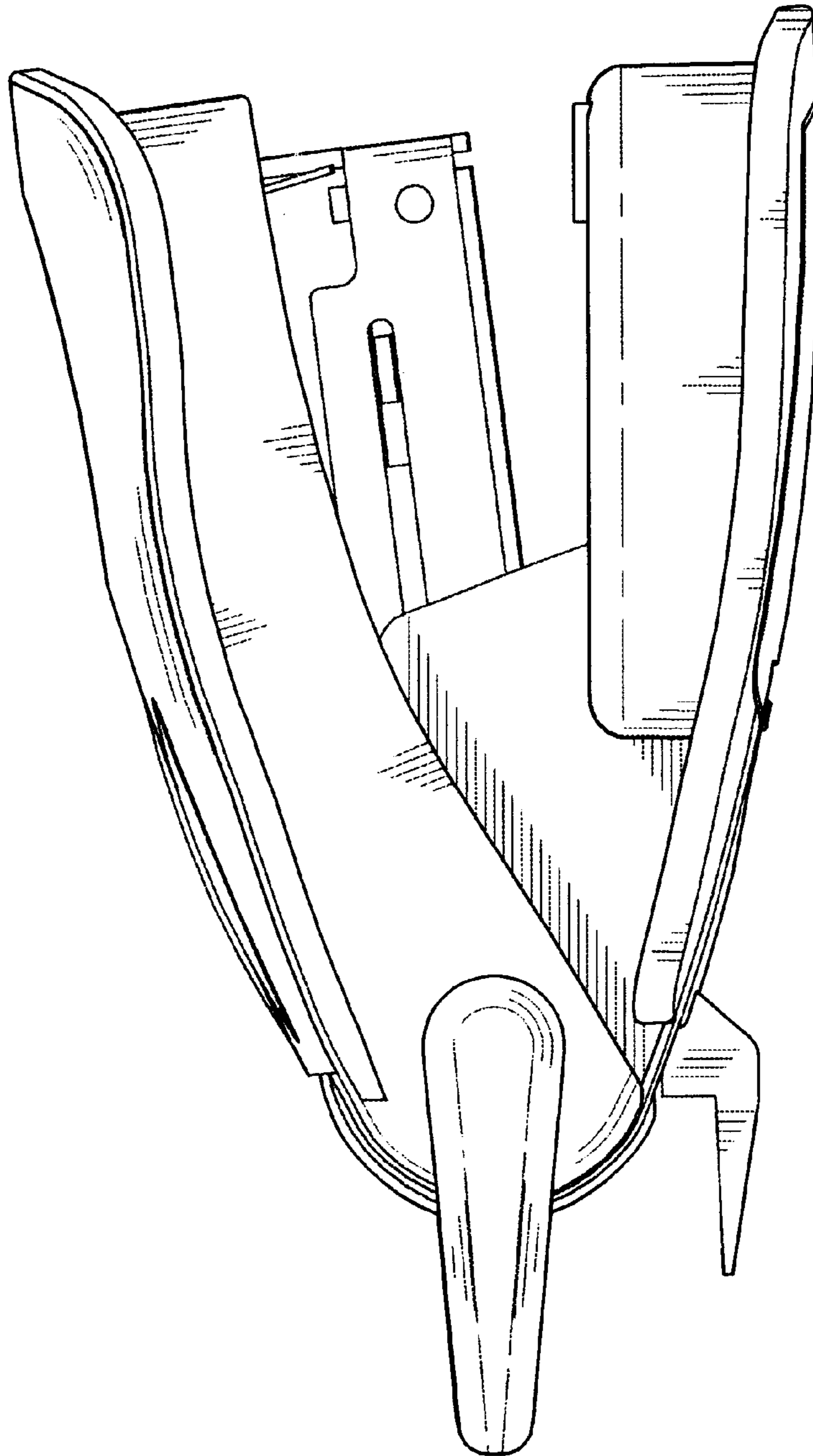


FIG. 2

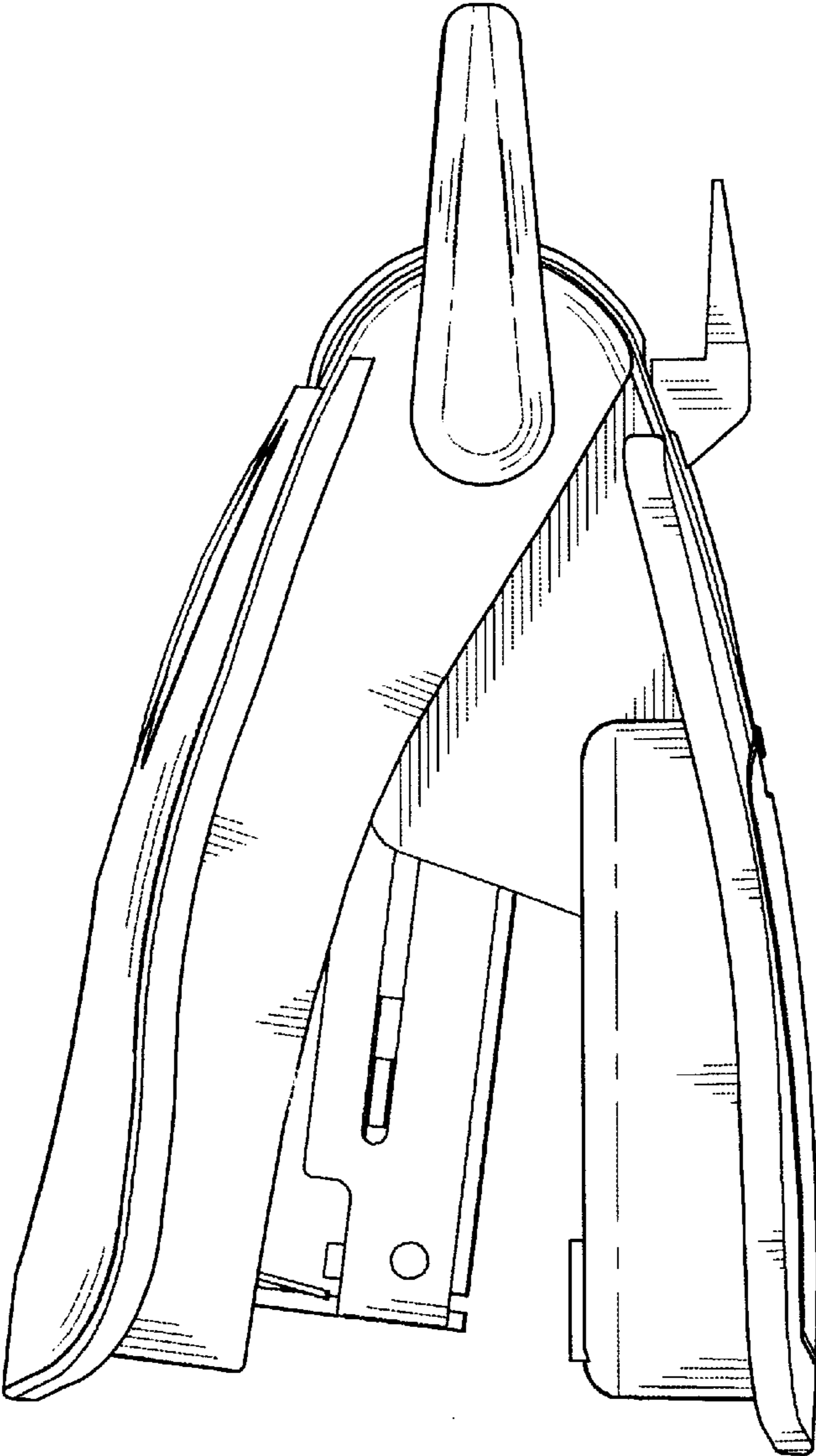


FIG. 3

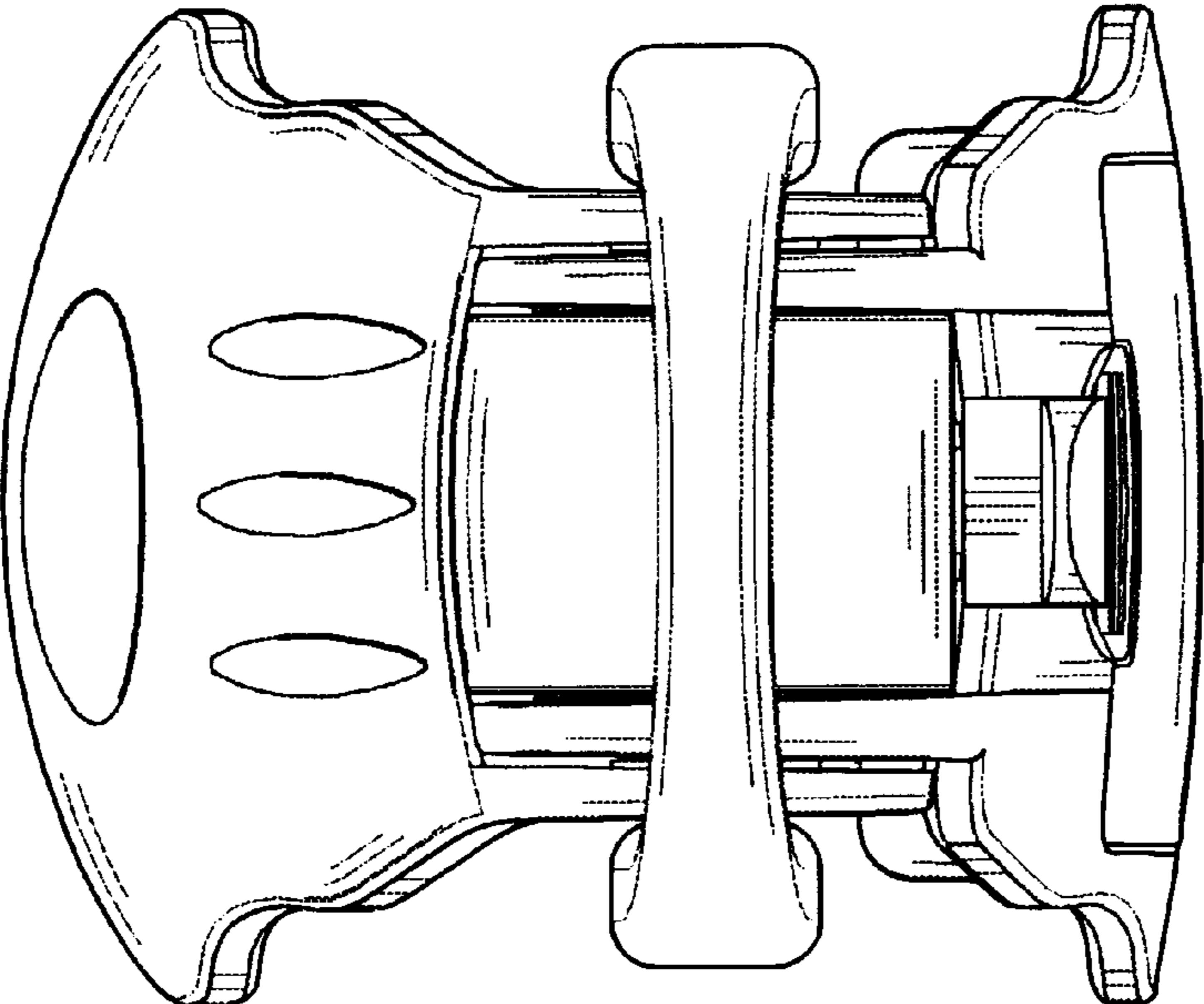


FIG. 4

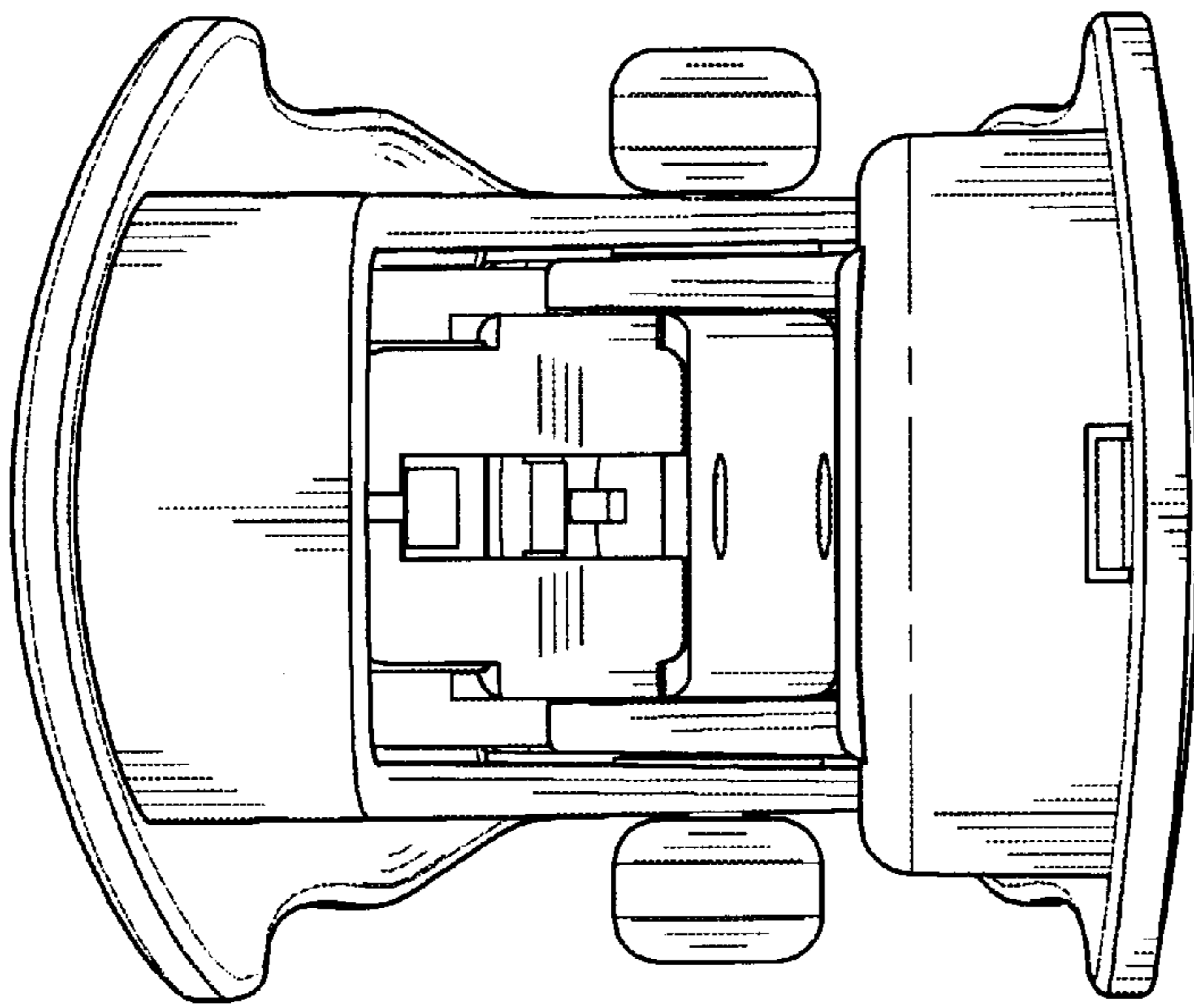


FIG. 5

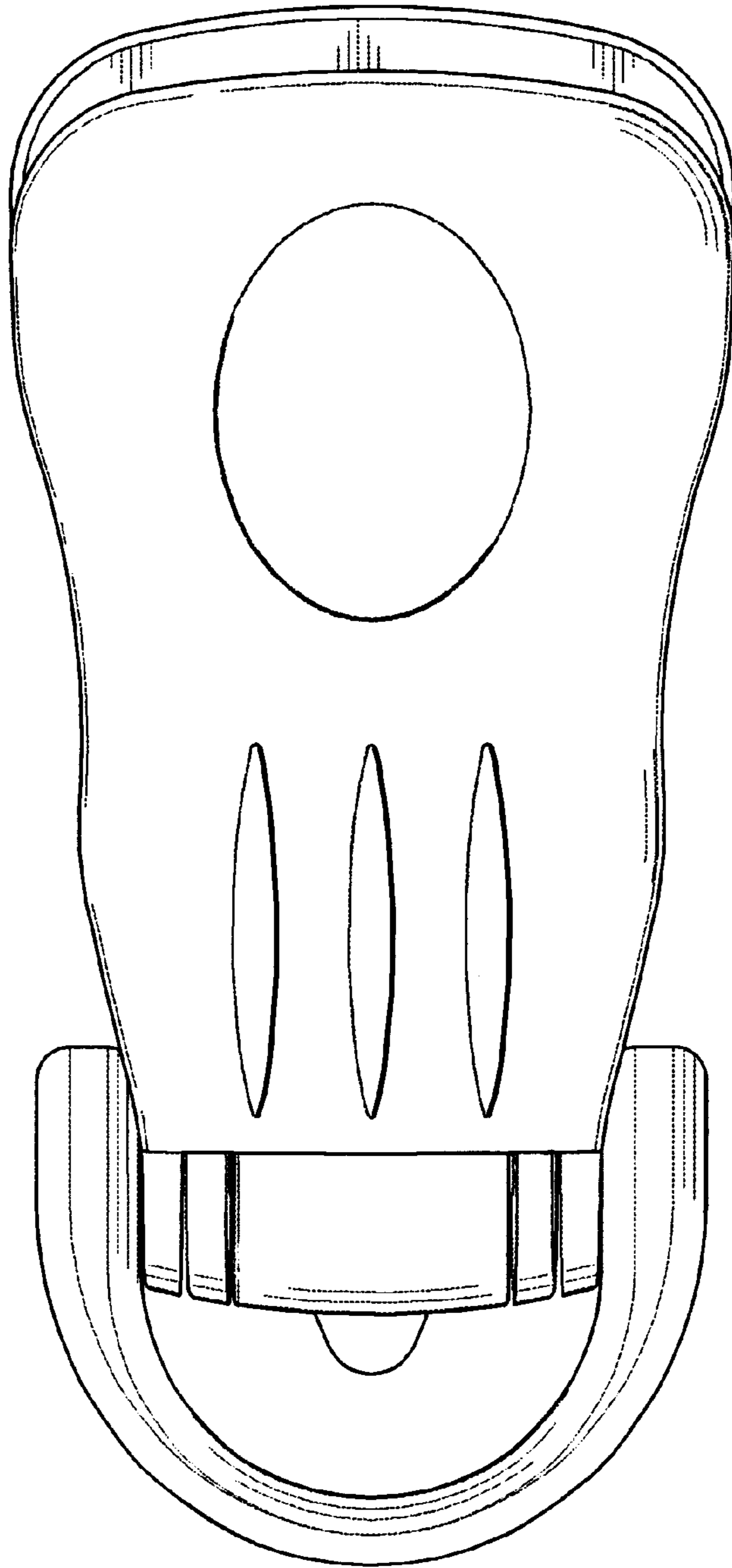


FIG. 6

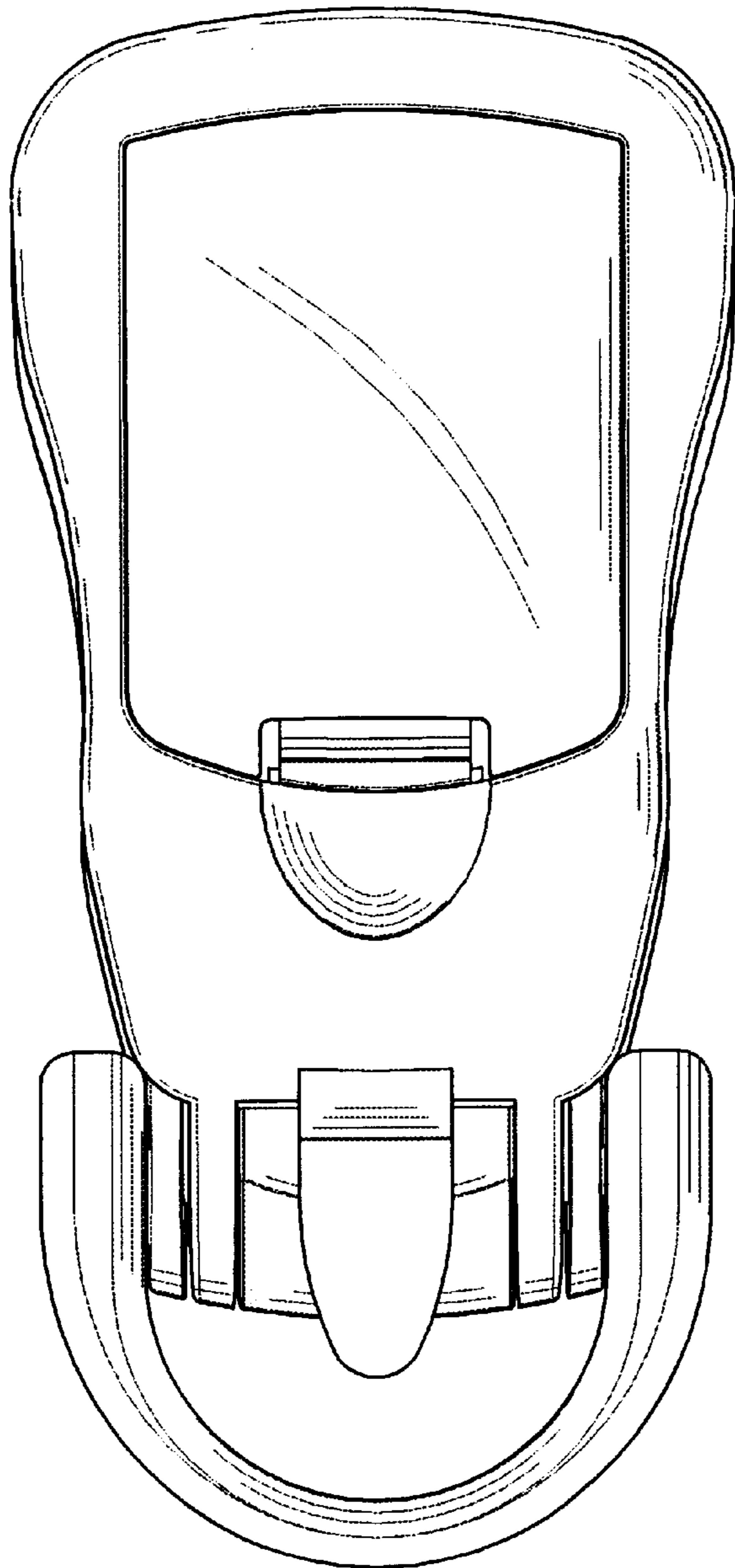


FIG. 7