



US00D528884S

(12) **United States Design Patent**
Shevin-Sandy

(10) **Patent No.:** **US D528,884 S**

(45) **Date of Patent:** **** Sep. 26, 2006**

(54) **COMBINATION STAPLER AND TAPE DISPENSER**

D486,521 S * 2/2004 Crawford et al. D19/69
D496,690 S * 9/2004 Crawford et al. D19/69

(75) Inventor: **Bonni Shevin-Sandy**, Morton Grove, IL (US)

OTHER PUBLICATIONS

Copy of U.S. Appl. No. 11/014,397, filed Dec. 14, 2004.

(73) Assignee: **Dard Products, Inc.**, Evanston, IL (US)

* cited by examiner

(**) Term: **14 Years**

Primary Examiner—Cathron C. Brooks

Assistant Examiner—Austin Murphy

(21) Appl. No.: **29/236,087**

(74) *Attorney, Agent, or Firm*—Greer, Burns & Crain, Ltd.

(22) Filed: **Aug. 11, 2005**

(57) **CLAIM**

(51) **LOC (8) Cl.** **19-02**

The ornamental design for a combination stapler and tape dispenser, as shown and described.

(52) **U.S. Cl.** **D8/49**; D19/69

(58) **Field of Classification Search** D8/49,

D8/50, 61; D19/72, 65, 69; 227/120, 127,

227/128, 131, 132, 134, 156

See application file for complete search history.

DESCRIPTION

FIG. 1 is a front, left side perspective view of a combination stapler and tape dispenser;

FIG. 2 is a front elevational view thereof;

FIG. 3 is an elevational view of a right side thereof;

FIG. 4 is a rear elevational view thereof;

FIG. 5 is a bottom plan view thereof; and,

FIG. 6 is a top plan view thereof.

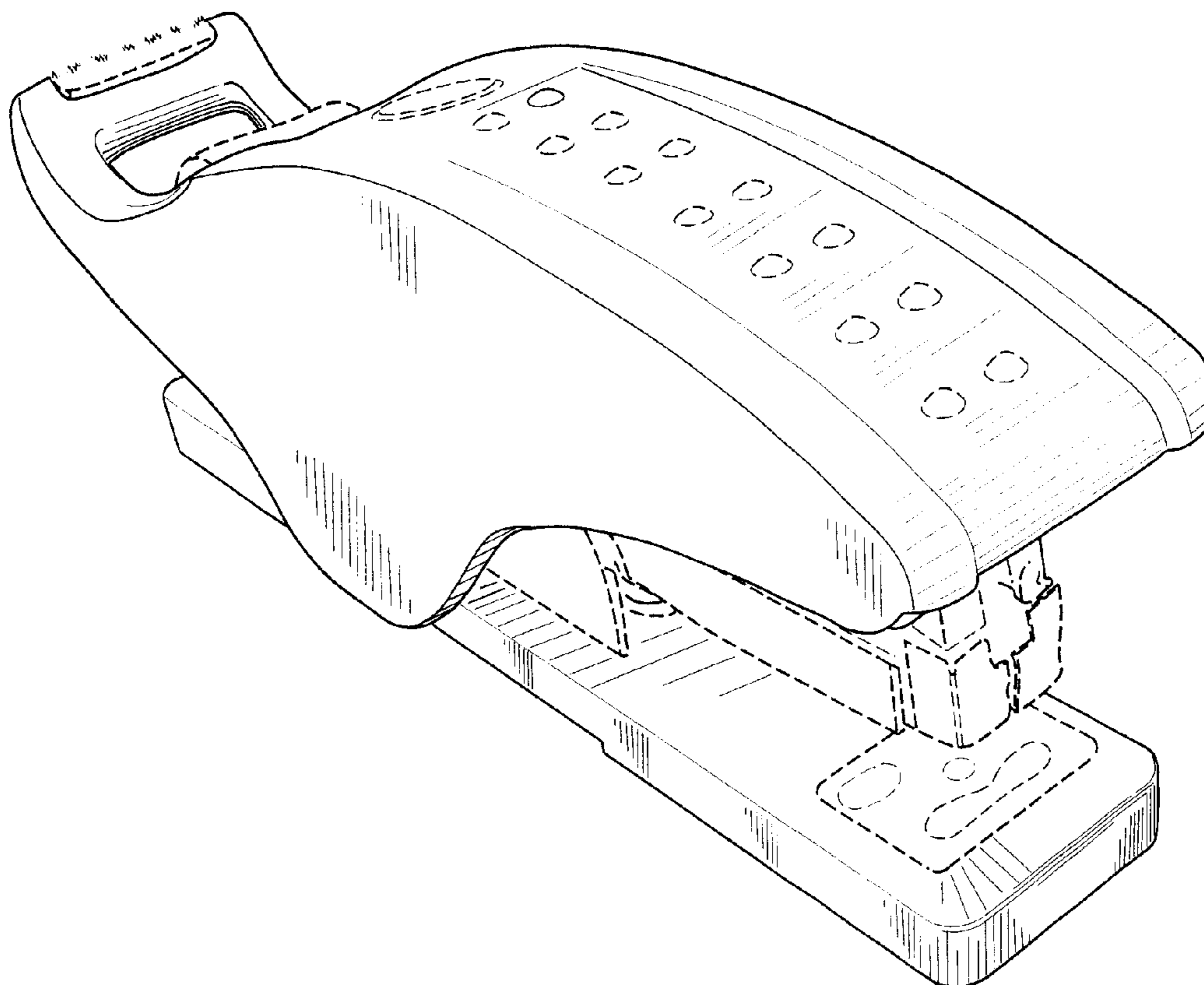
The broken lines shown in the drawings form no part of the claimed design.

(56) **References Cited**

U.S. PATENT DOCUMENTS

- D182,978 S * 6/1958 Ruskin D8/50
- 2,926,549 A * 3/1960 Ruskin 74/612
- D276,354 S * 11/1984 Spitzer D19/69
- D372,183 S * 7/1996 Bourque D8/98
- D377,950 S * 2/1997 Shen et al. D19/69
- D383,783 S * 9/1997 Jeter et al. D19/65

1 Claim, 6 Drawing Sheets



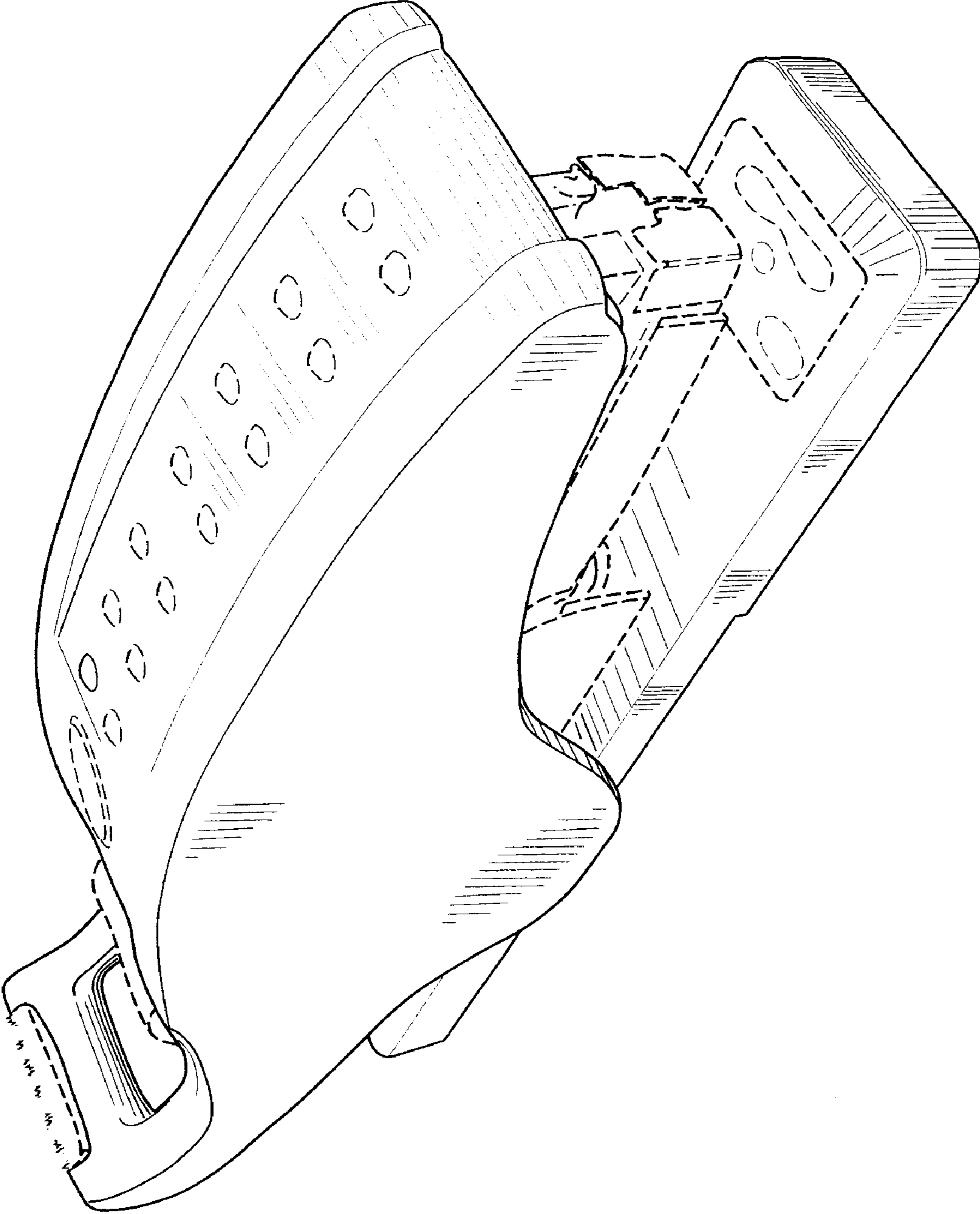


FIG. 1

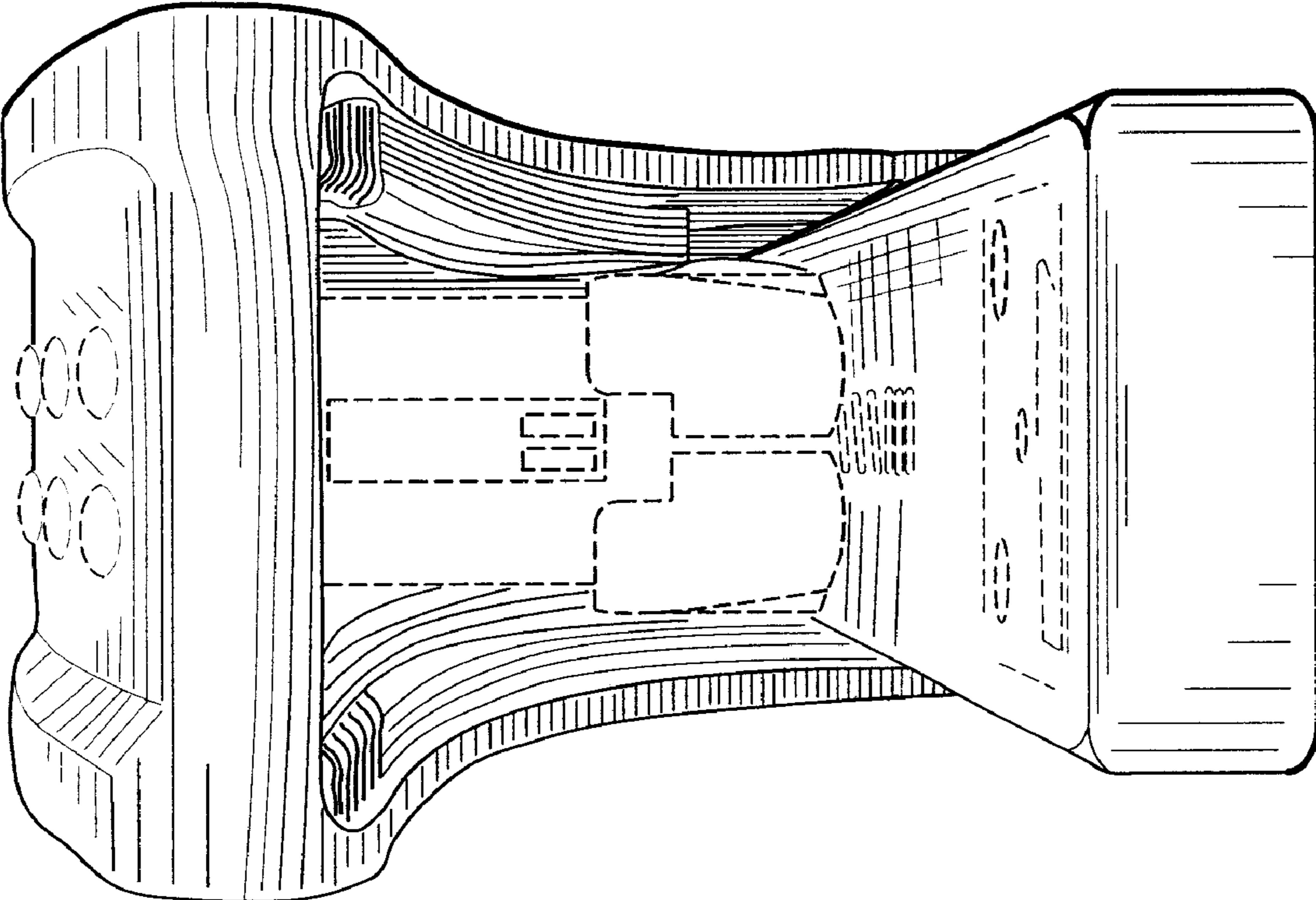
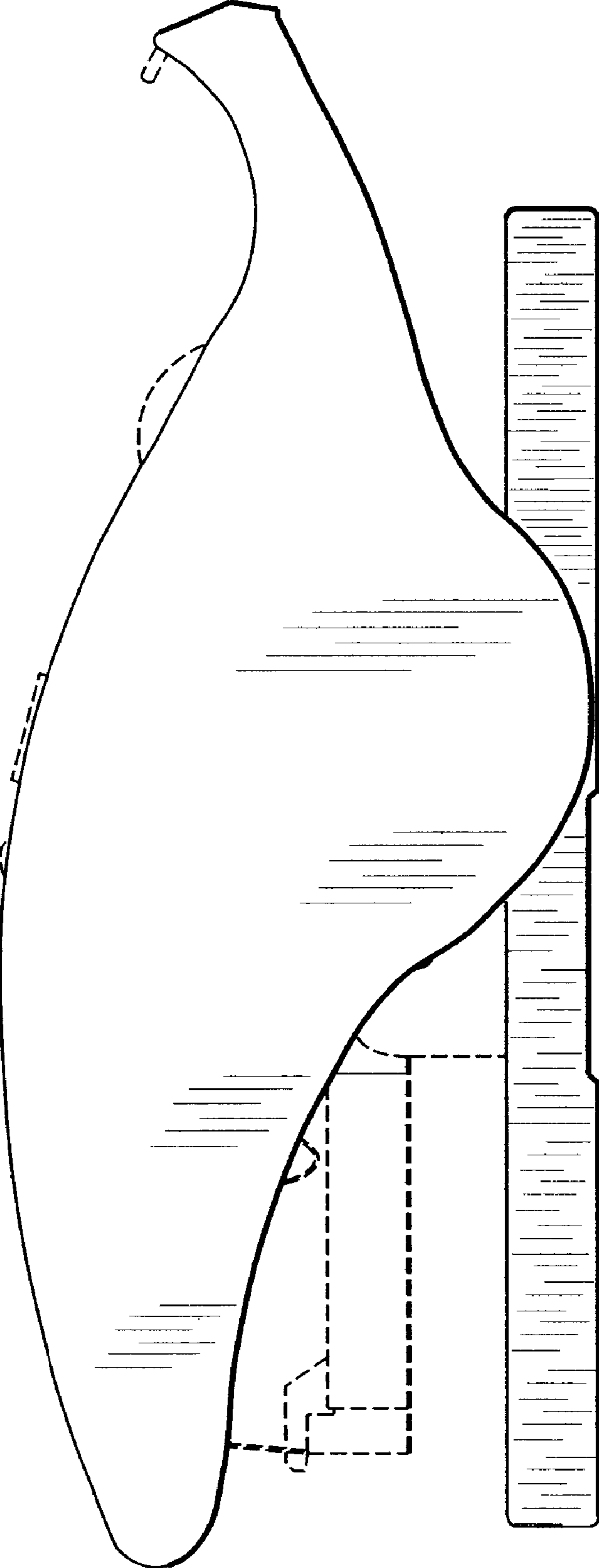


FIG. 2

FIG. 3



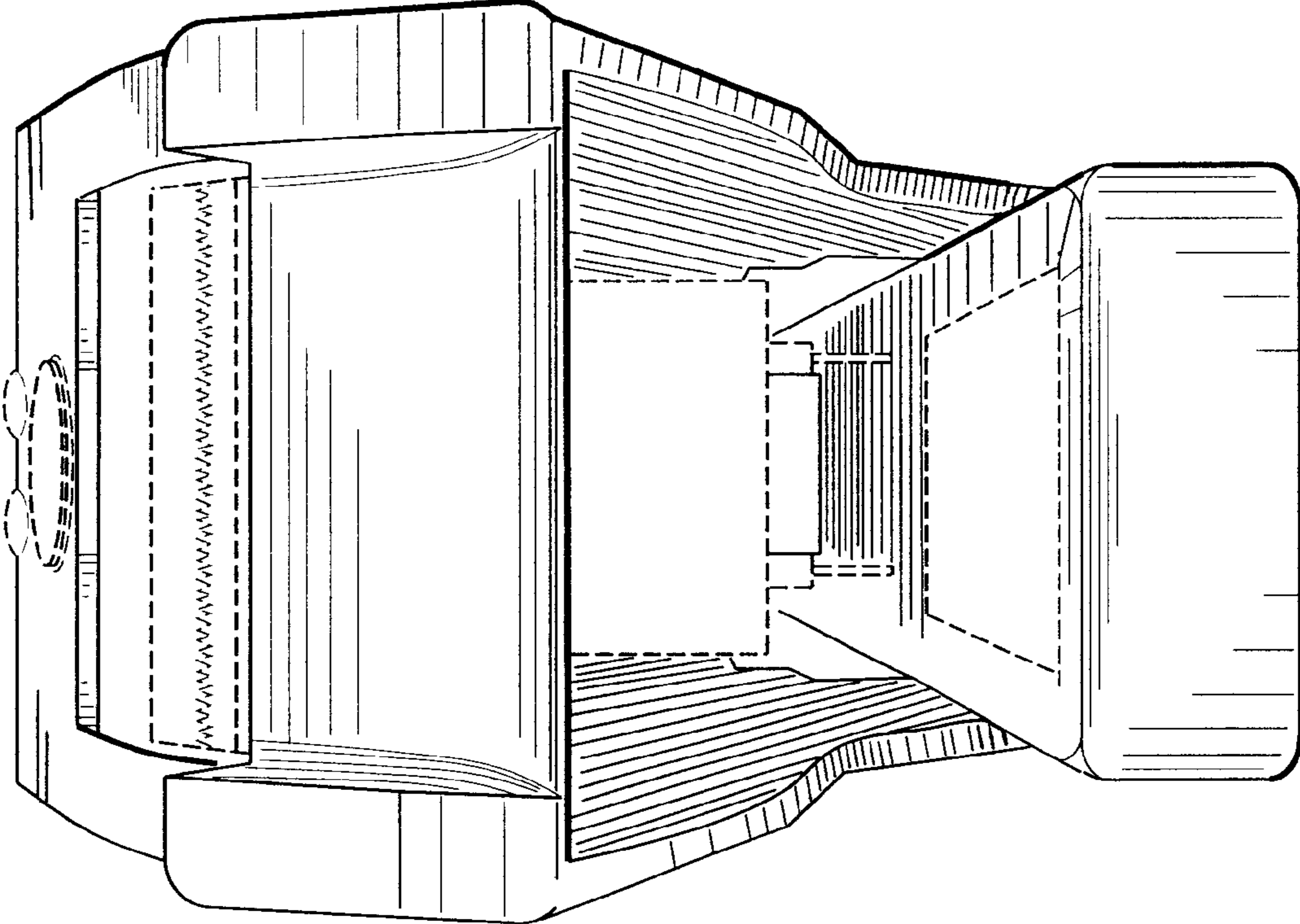


FIG. 4

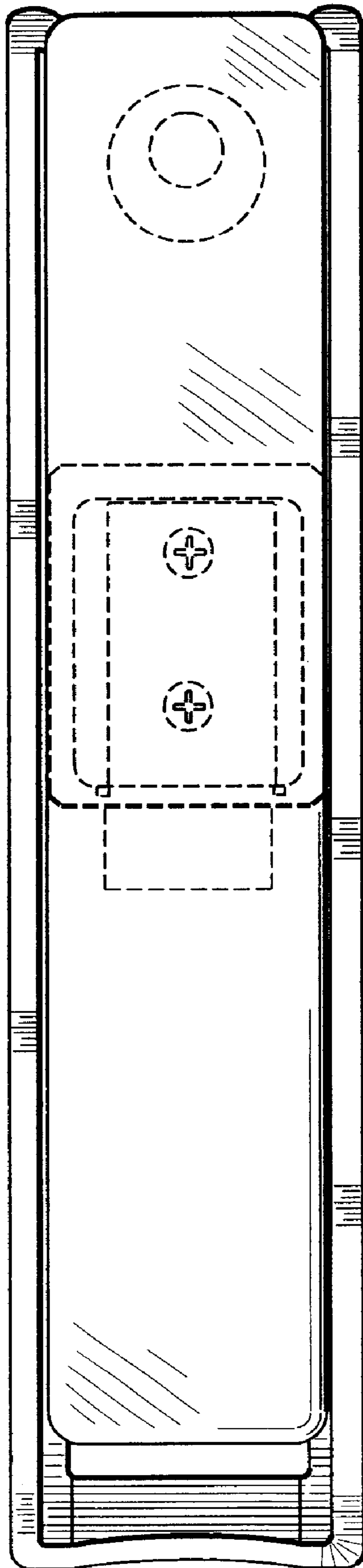


FIG. 5

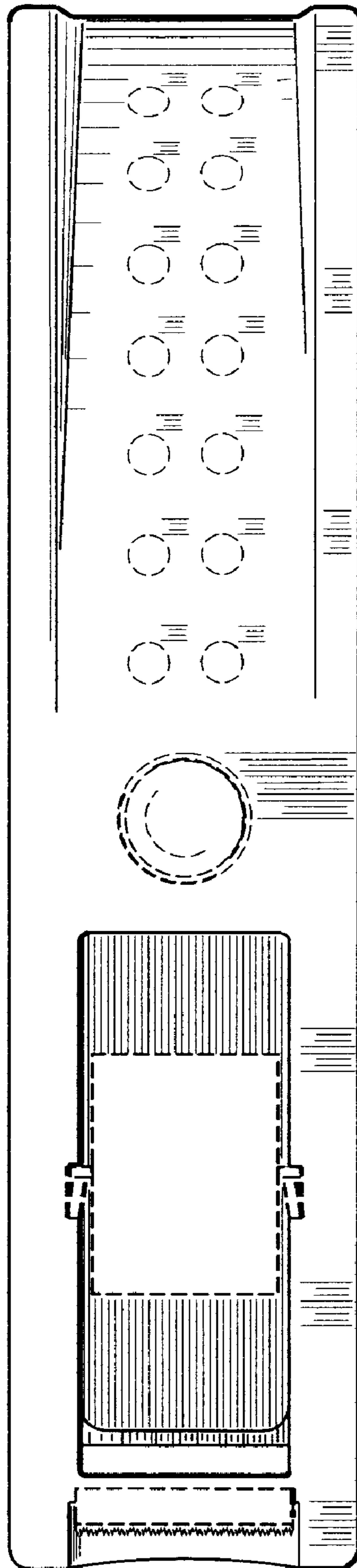


FIG. 6