

US00D528883S

(12) **United States Design Patent**
Hu

(10) **Patent No.:** **US D528,883 S**

(45) **Date of Patent:** **** Sep. 26, 2006**

(54) **WRENCH**

(76) **Inventor:** **Bobby Hu**, 8F, No. 536-1, Ta Chin Street, Taichung (TW)

(**) **Term:** **14 Years**

(21) **Appl. No.:** **29/219,219**

(22) **Filed:** **Dec. 14, 2004**

(51) **LOC (8) Cl.** **08-05**

(52) **U.S. Cl.** **D8/25**

(58) **Field of Classification Search** D8/17,
D8/21-29; 81/60-63.2, 119, 121.1, 125,
81/124.3, 124.4, 124.7, 125.1, 185, 186,
81/180.1, 185.2

See application file for complete search history.

(56) **References Cited**

U.S. PATENT DOCUMENTS

1,334,154	A	*	3/1920	Harrison	81/124.6
2,708,865	A	*	5/1955	Frevik et al.	172/753
4,542,666	A	*	9/1985	White	81/176.1
D284,637	S	*	7/1986	Erickson et al.	D8/21
D313,153	S	*	12/1990	Lockman	D8/21
D357,617	S	*	4/1995	Morrisette	D8/21

D417,383	S	*	12/1999	Gutierrez	D8/107
6,516,691	B1	*	2/2003	Wei	81/63.2
6,688,195	B1	*	2/2004	Hsien	81/60
D488,037	S	*	4/2004	Tuanmu	D8/25
D506,370	S	*	6/2005	Tuanmu	D8/25
D507,464	S	*	7/2005	Hu	D8/25

* cited by examiner

Primary Examiner—Raphael Barkai

Assistant Examiner—Randall H. Gholson

(74) *Attorney, Agent, or Firm*—Alan D. Kamrath; Nikolai & Mersereau, P.A.

(57) **CLAIM**

The ornamental design for wrench, as shown and described.

DESCRIPTION

FIG. 1 is a perspective view of a wrench showing my new design;

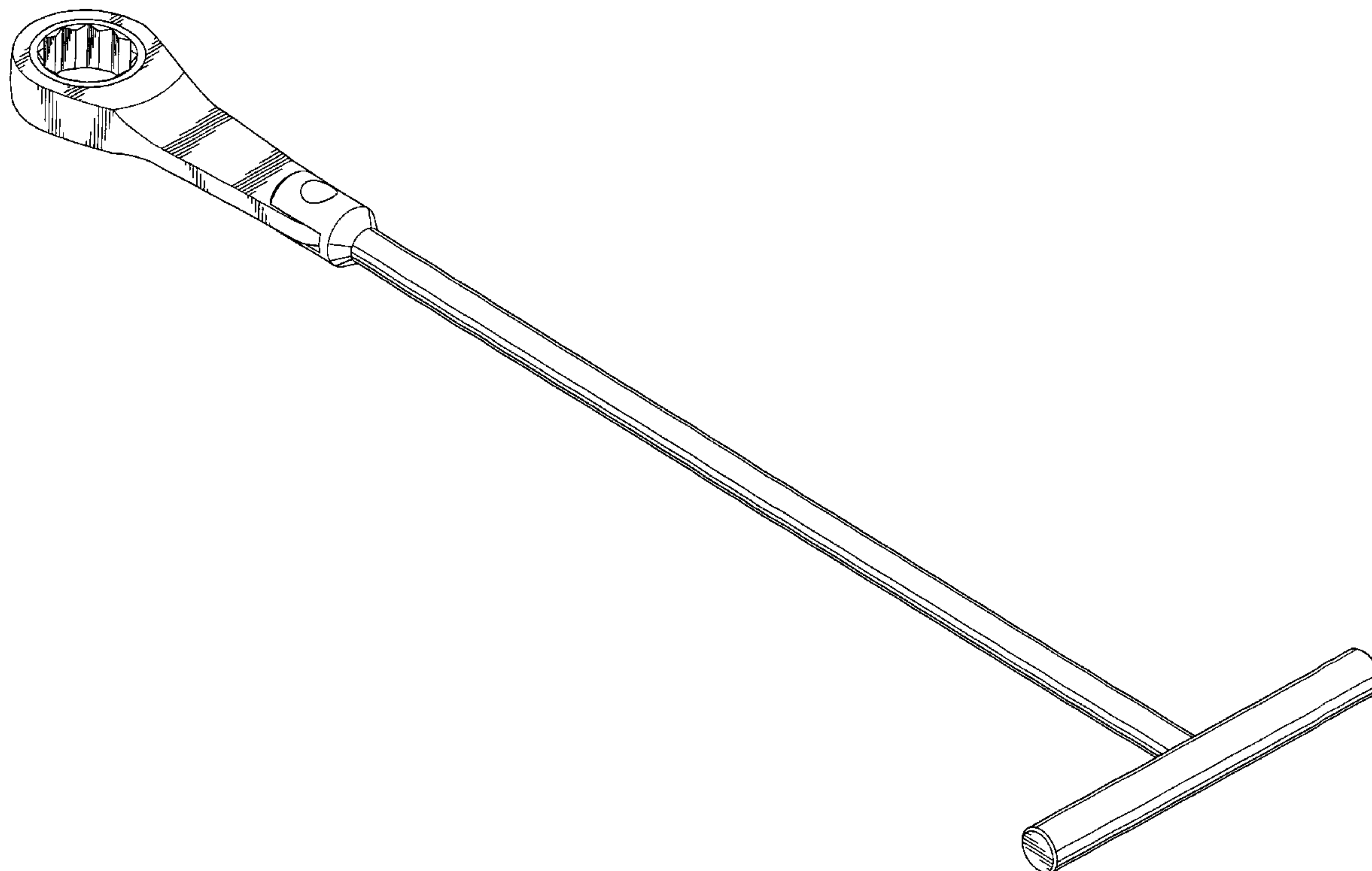
FIG. 2 is a front view thereof; the opposite side being a mirror image of the shown;

FIG. 3 is a left view thereof;

FIG. 4 is a right view thereof; and,

FIG. 5 is a top view thereof.

1 Claim, 2 Drawing Sheets



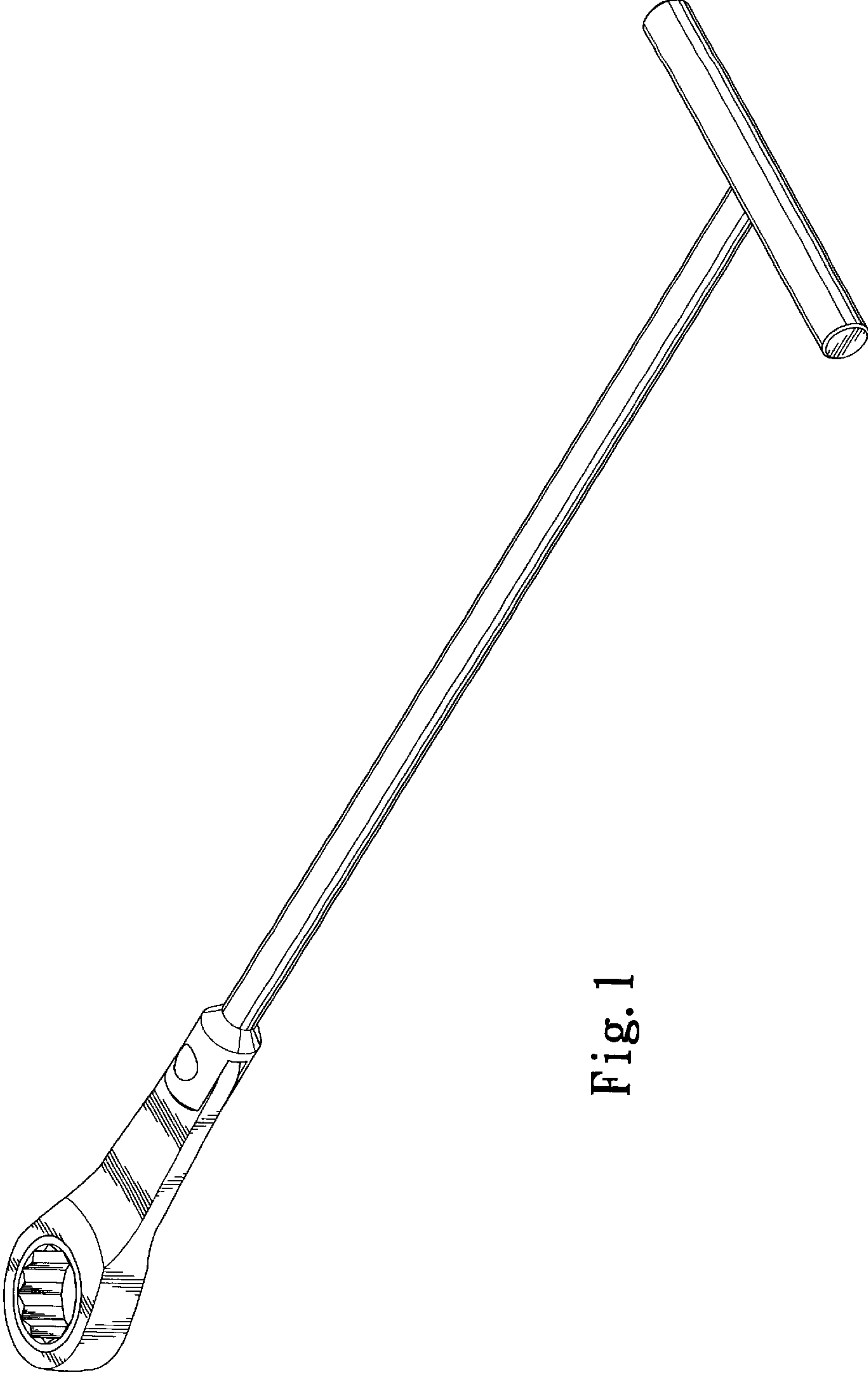


Fig. 1

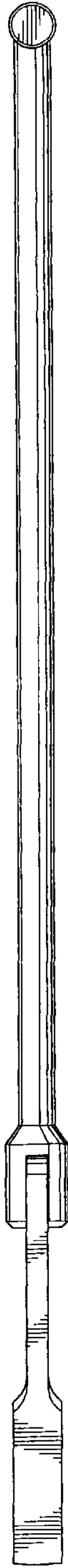


Fig. 2



Fig. 3

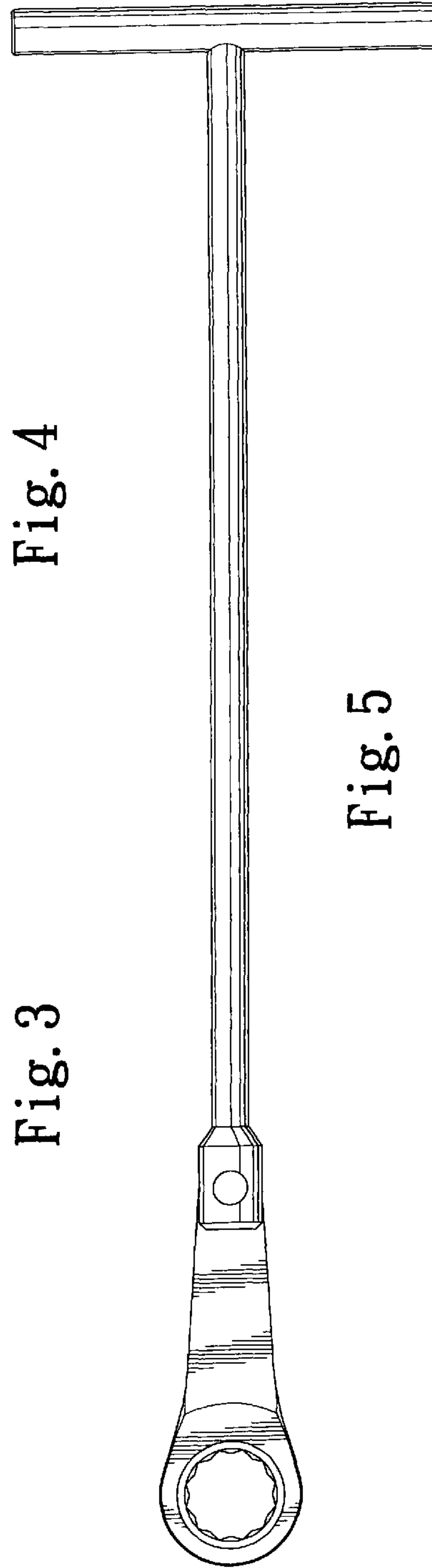


Fig. 4

Fig. 5