



US00D528877S

(12) **United States Design Patent**
Goodman et al.

(10) **Patent No.:** **US D528,877 S**

(45) **Date of Patent:** **** Sep. 26, 2006**

(54) **WINE RACK**

5,638,809 A * 6/1997 Wienhold 126/337 R
5,823,100 A * 10/1998 Wienhold et al. 211/181.1

(75) Inventors: **Sheldon H. Goodman**, Solon, OH
(US); **Kent W. Murphy**, Wooster, OH
(US)

* cited by examiner

Primary Examiner—Terry A. Wallace

(73) Assignee: **Spectrum Diversified Designs, Inc.**,
Streetsboro, OH (US)

(74) *Attorney, Agent, or Firm*—Pearne & Gordon LLP

(**) Term: **14 Years**

(57) **CLAIM**

The ornamental design for a wine rack, as shown and described.

(21) Appl. No.: **29/236,946**

DESCRIPTION

(22) Filed: **Aug. 24, 2005**

(51) **LOC (8) Cl.** **06-04**

(52) **U.S. Cl.** **D7/704**

(58) **Field of Classification Search** D7/701–708;
D6/462–467, 566, 569–571; 211/71.01, 74,
211/181.1

See application file for complete search history.

FIG. 1 is a front elevational view of a wine rack showing our new design;

FIG. 2 is a side elevational view thereof;

FIG. 3 is a top plan view thereof;

FIG. 4 is a perspective view thereof; and

FIG. 5 is a bottom plan view thereof;

FIG. 6 is a perspective view of a second embodiment of a stackable wine rack showing a three-tier version of our new design;

FIG. 7 is a front elevational view thereof; and,

FIG. 8 is a side elevational view thereof.

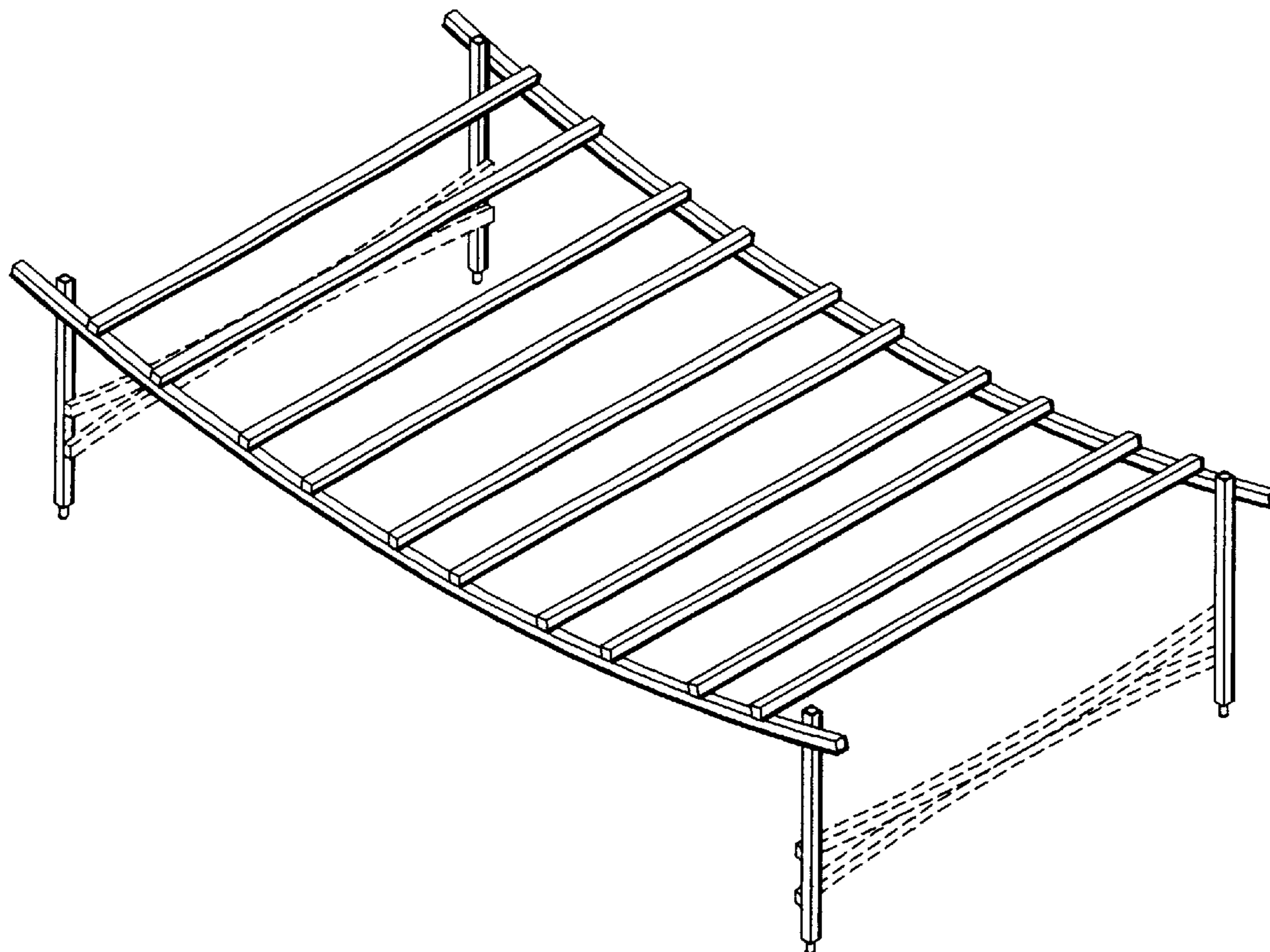
The broken-line disclosure of elements in the views is for illustrative purposes only and forms no part of the claimed design.

(56) **References Cited**

U.S. PATENT DOCUMENTS

1,946,711 A * 2/1934 Quisenberry 211/181.1
2,558,611 A * 6/1951 Emmart 211/74
4,191,160 A * 3/1980 Elliott 211/181.1
D278,196 S * 4/1985 Koves D6/465
4,998,631 A * 3/1991 Fridjhon 211/74

1 Claim, 4 Drawing Sheets



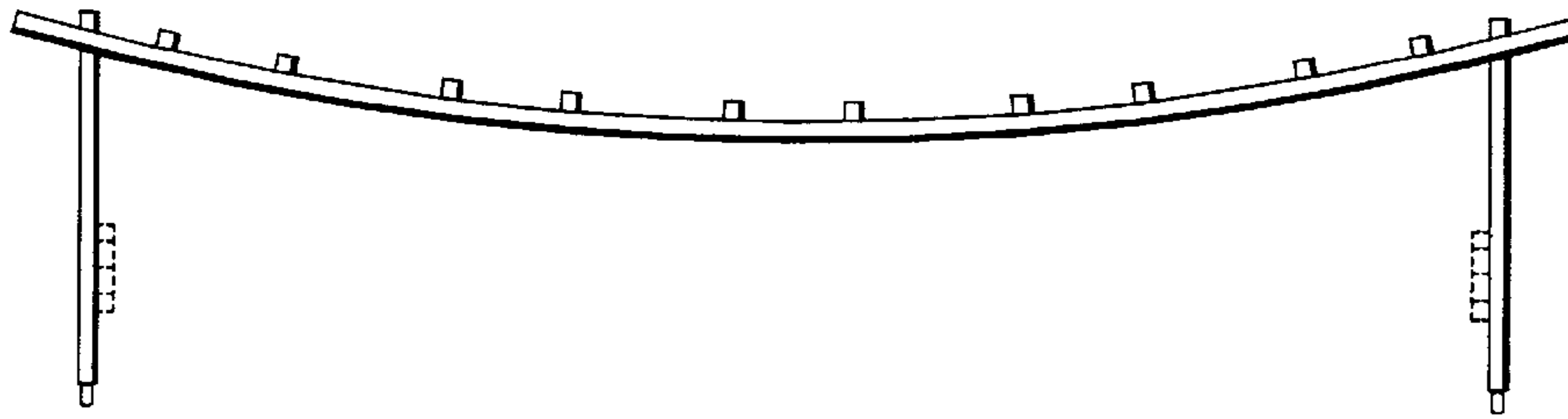


FIG. 1

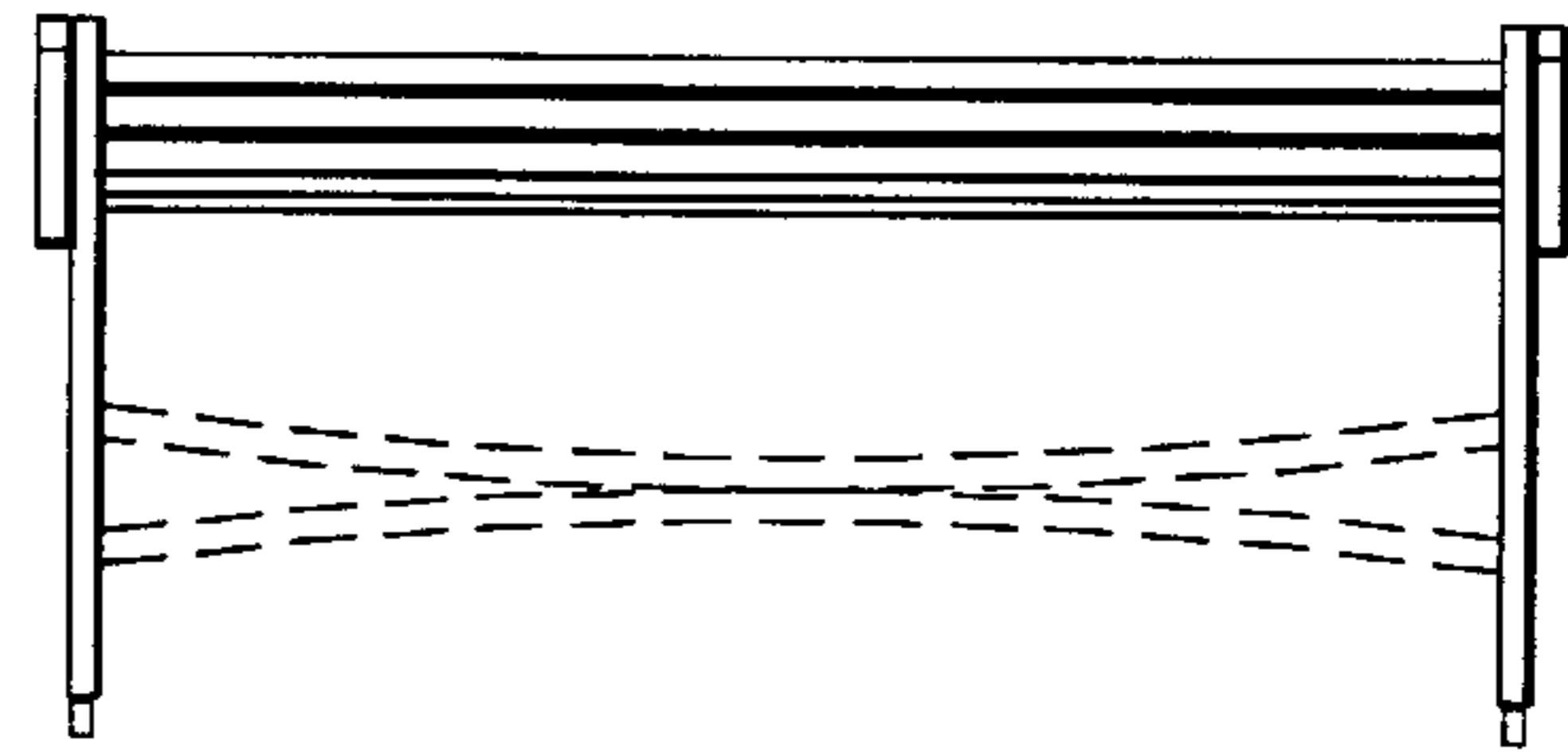


FIG. 2

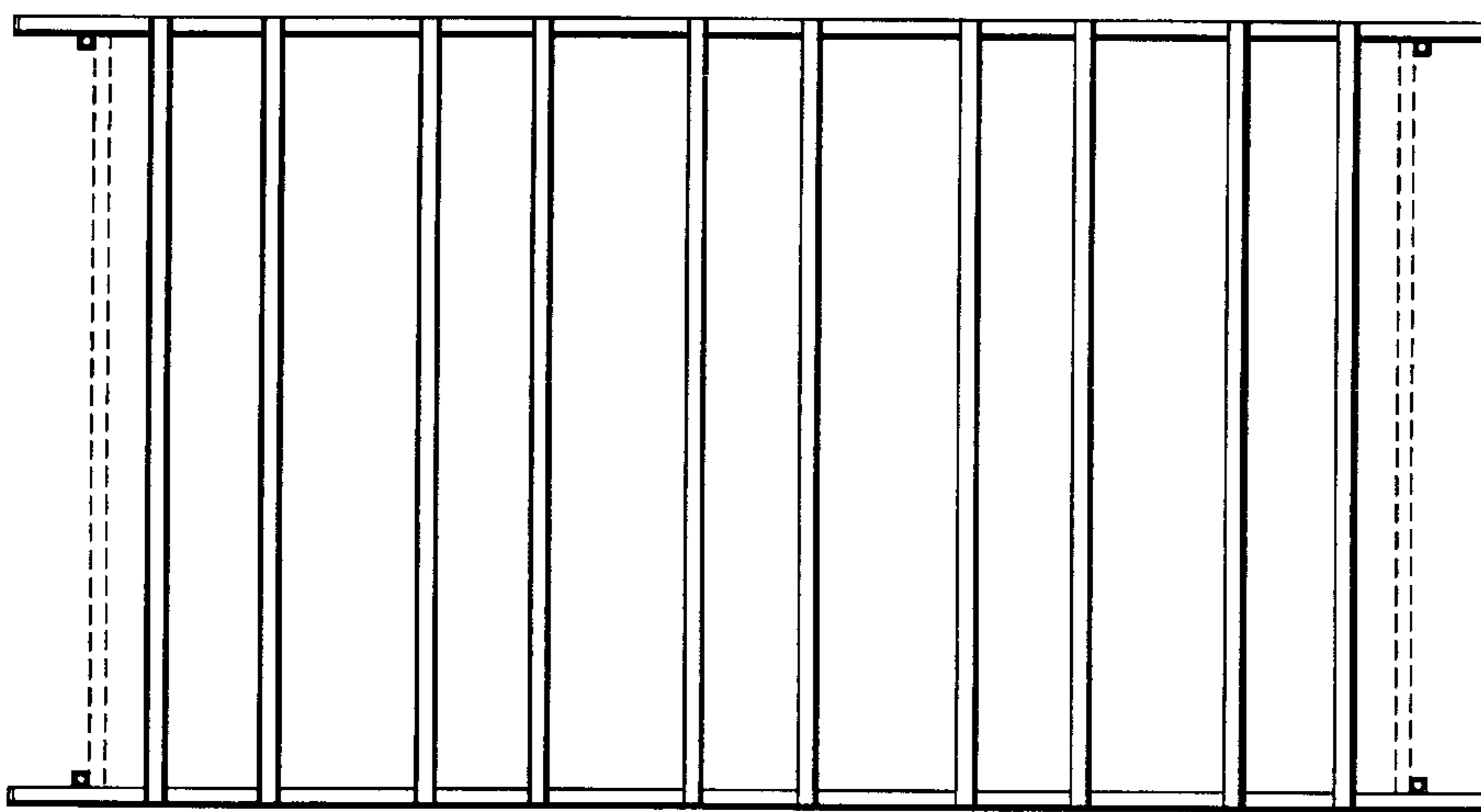


FIG. 3

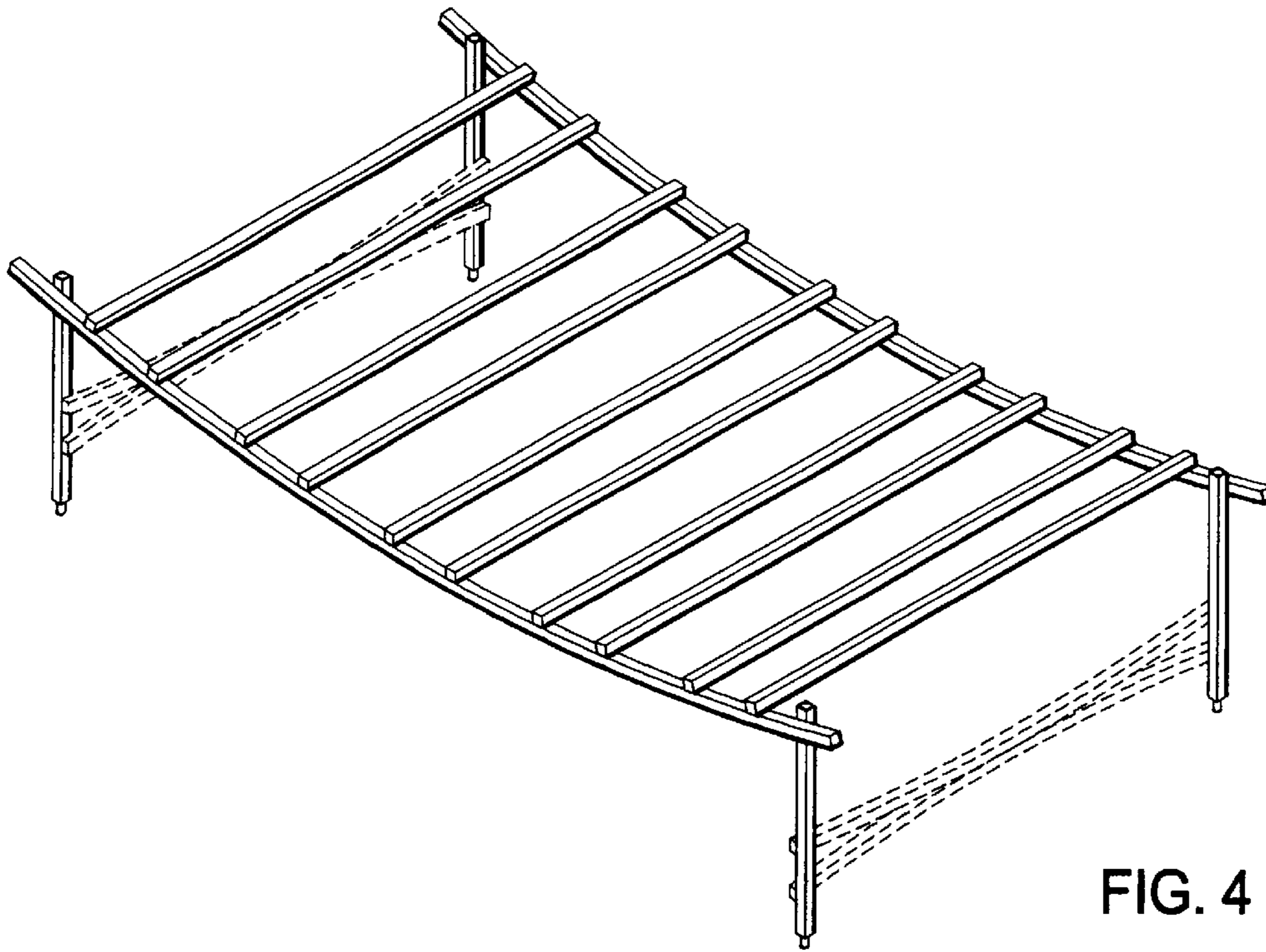


FIG. 4

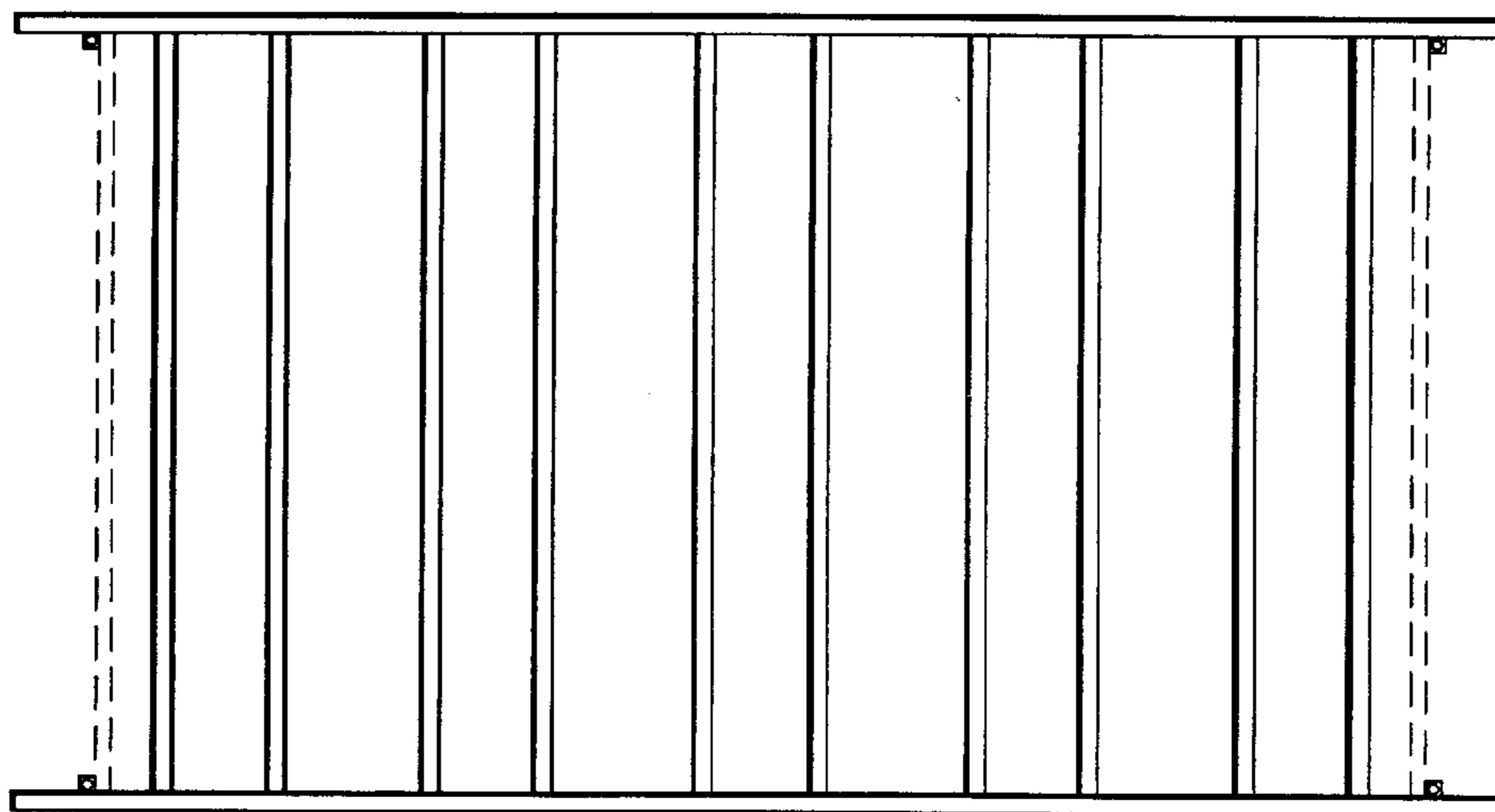


FIG. 5

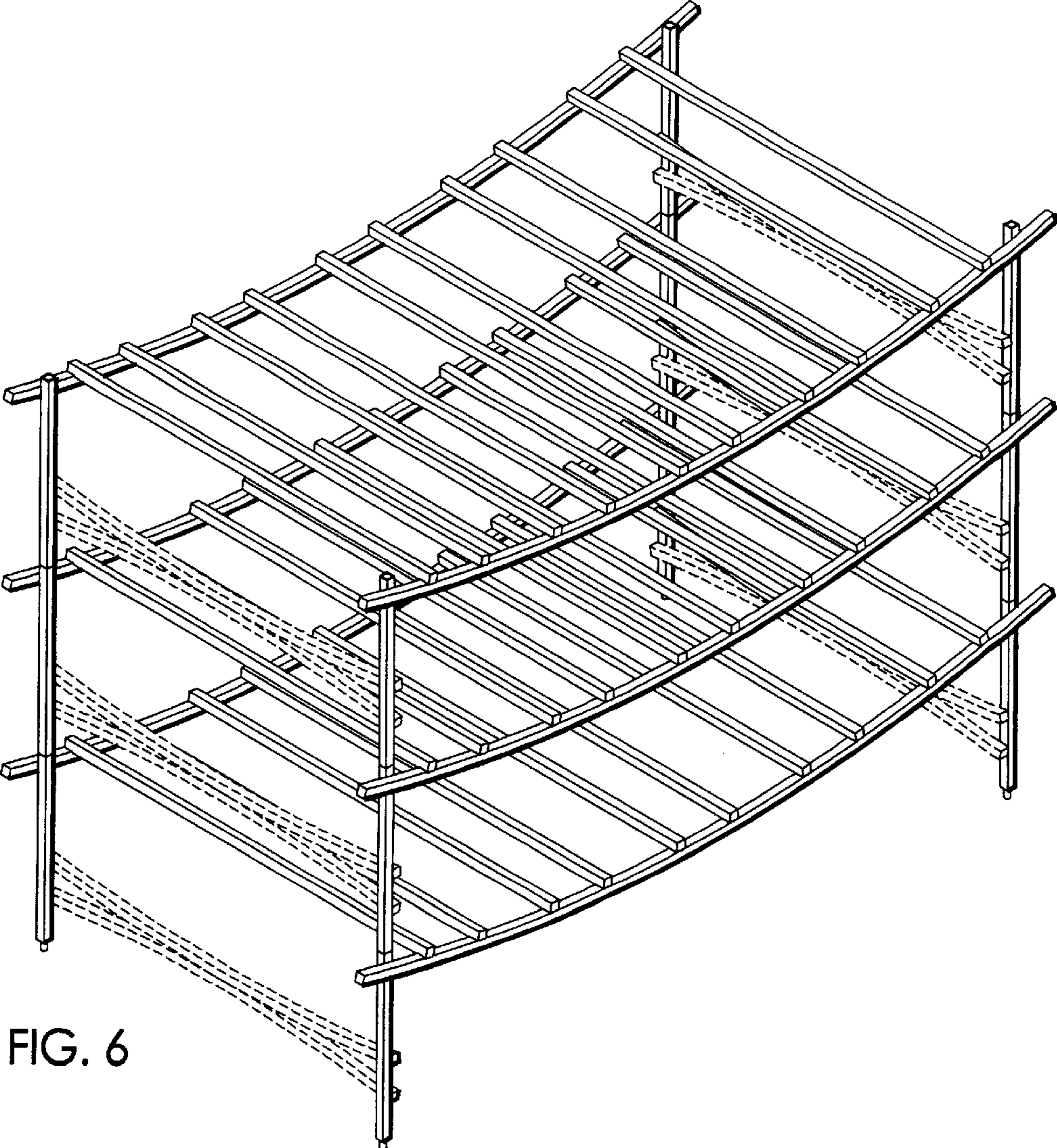


FIG. 6

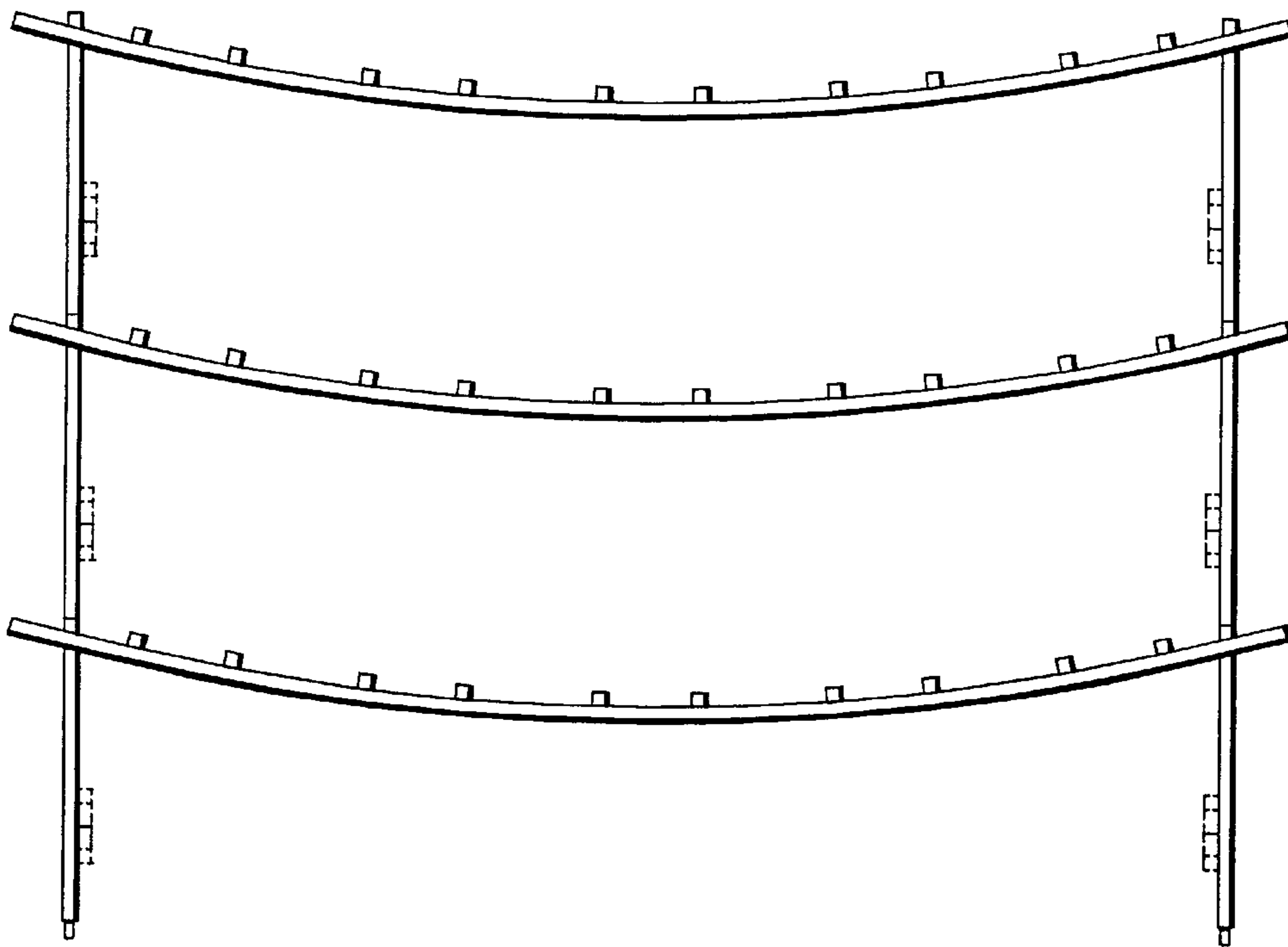


FIG. 7

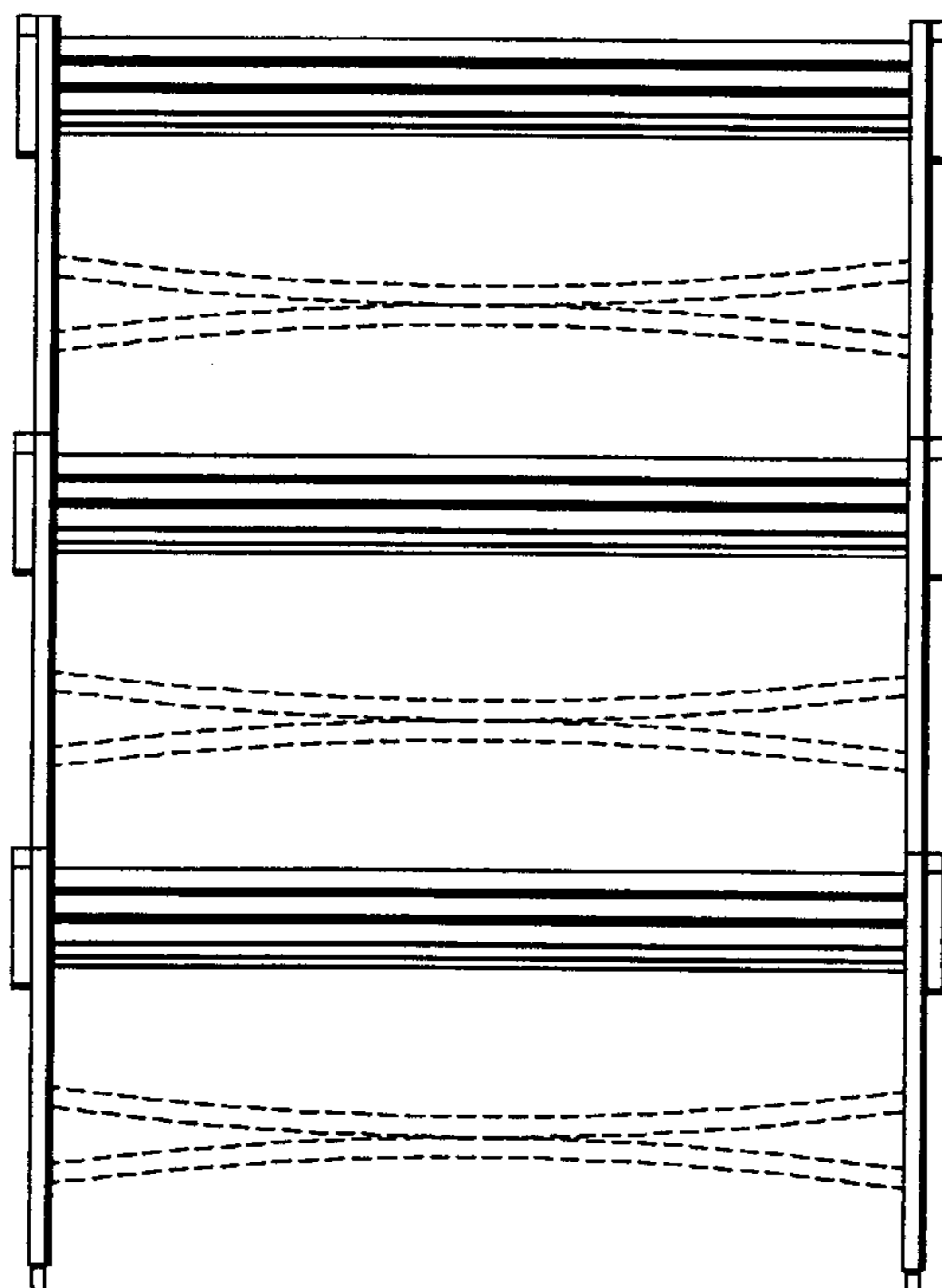


FIG. 8