



US00D528873S

(12) **United States Design Patent**
Hensel

(10) **Patent No.:** **US D528,873 S**

(45) **Date of Patent:** **** Sep. 26, 2006**

(54) **COMPACT JUICER**

D332,899 S * 2/1993 Shun D7/666
6,397,736 B1 * 6/2002 Tseng et al. 99/511

(75) Inventor: **Keith James Hensel**, Lane Cove (AU)

* cited by examiner

(73) Assignee: **Breville Pty Limited**

Primary Examiner—Terry A. Wallace

(**) Term: **14 Years**

(74) *Attorney, Agent, or Firm*—Molins & Co.

(21) Appl. No.: **29/243,412**

(57) **CLAIM**

(22) Filed: **Nov. 25, 2005**

The ornamental design for a compact juicer, as shown and described.

(30) **Foreign Application Priority Data**

DESCRIPTION

Jun. 3, 2005 (AU) 12388/05

(51) **LOC (8) Cl.** **31-00**

(52) **U.S. Cl.** **D7/665**

(58) **Field of Classification Search** D7/665,
D7/666, 372-374; 99/492, 495, 497, 499,
99/348, 357, 501-513; 241/33, 36, 37.5,
241/100, 282.1, 282.2

See application file for complete search history.

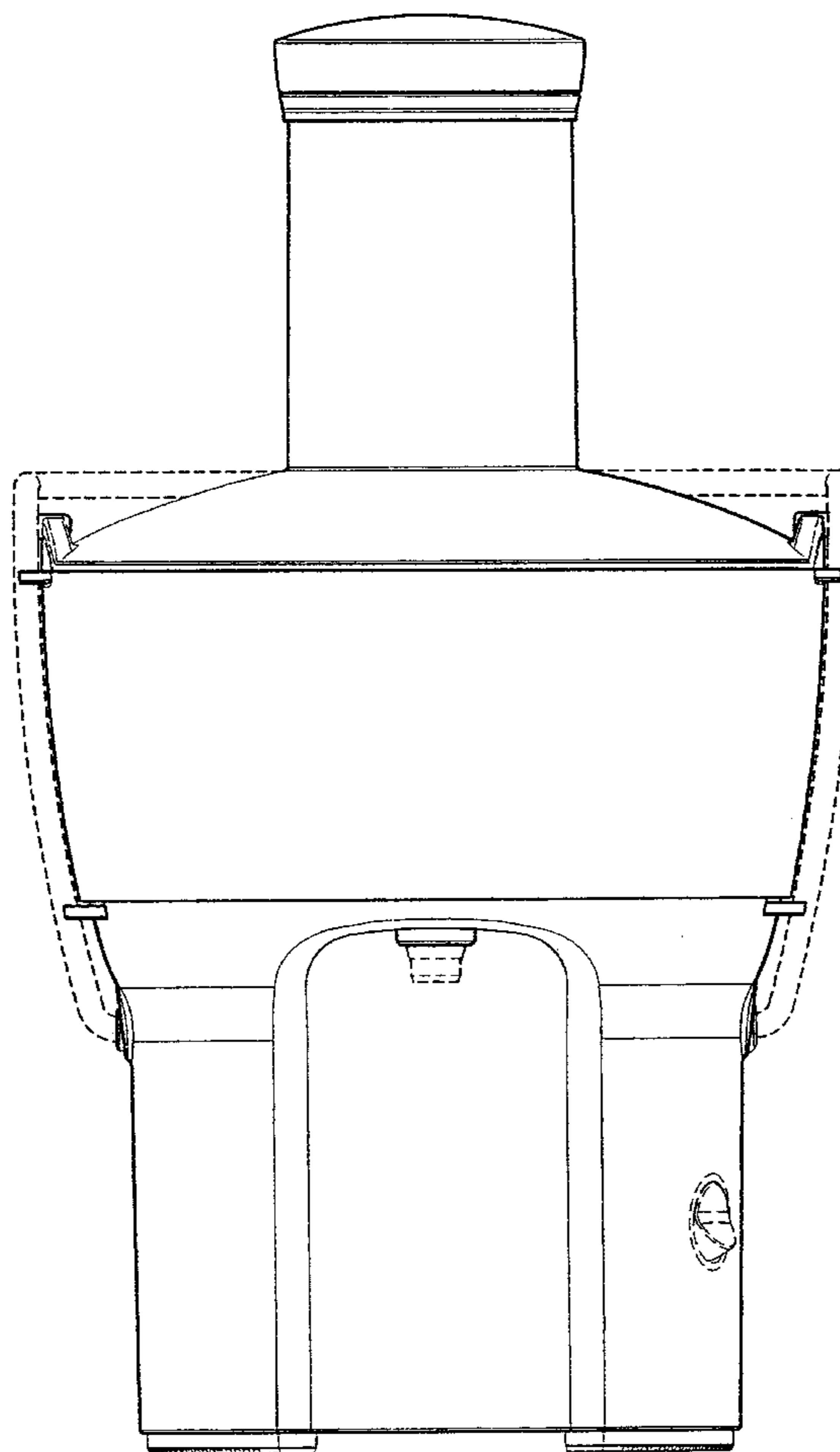
FIG. 1 is a front elevation view of a compact juicer showing my new design;
FIG. 2 is a right elevation view thereof;
FIG. 3 is a rear elevation view thereof;
FIG. 4 is a left elevation view thereof;
FIG. 5 is a top view thereof;
FIG. 6 is a bottom view thereof;
FIG. 7 is a front perspective view thereof; and,
FIG. 8 is a rear underside perspective view thereof.
The broken lines are for illustrative purposes only and form no part of the claimed design.

(56) **References Cited**

U.S. PATENT DOCUMENTS

D318,402 S * 7/1991 Barrault D7/665

1 Claim, 8 Drawing Sheets



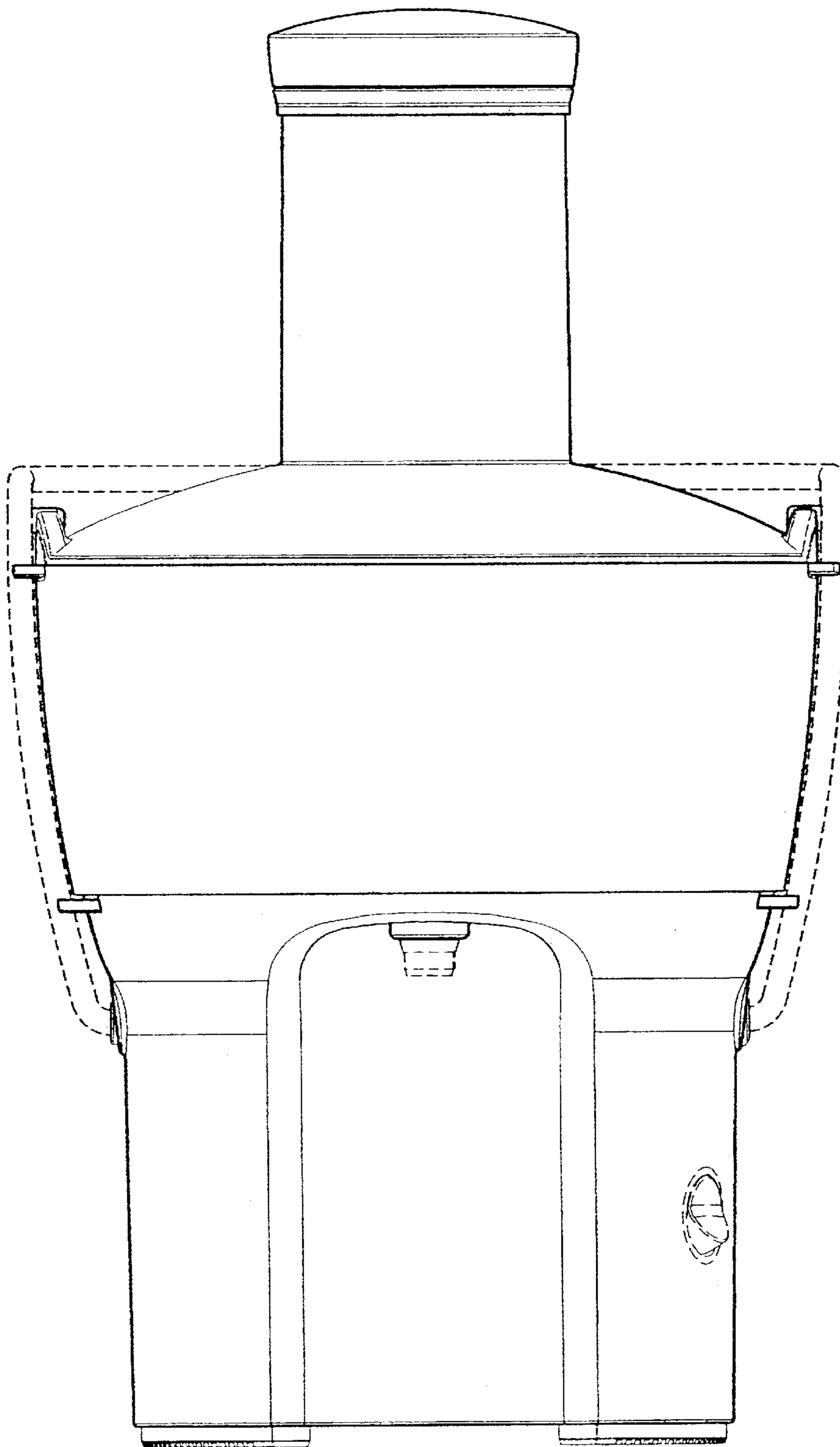


FIG. 1

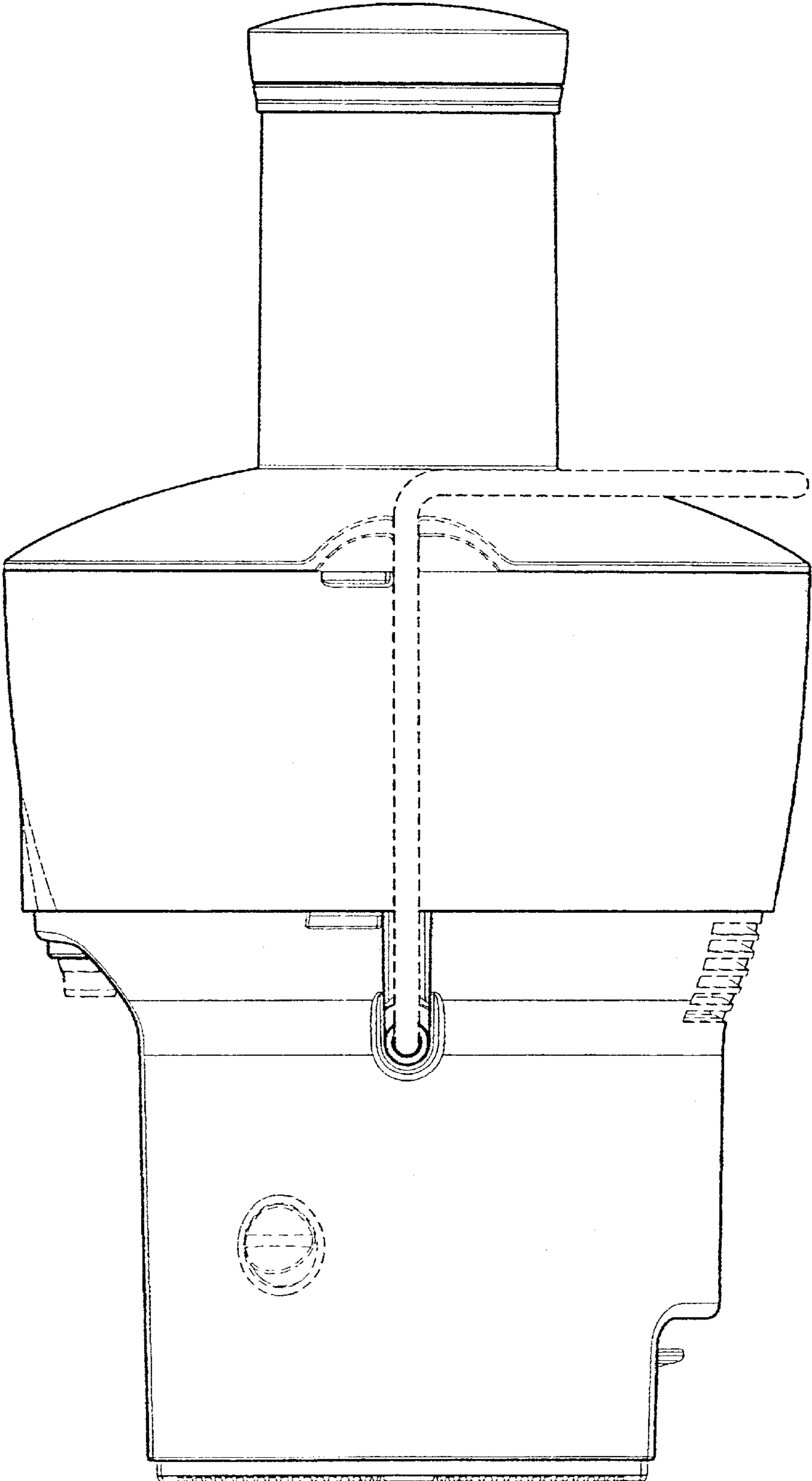


FIG. 2

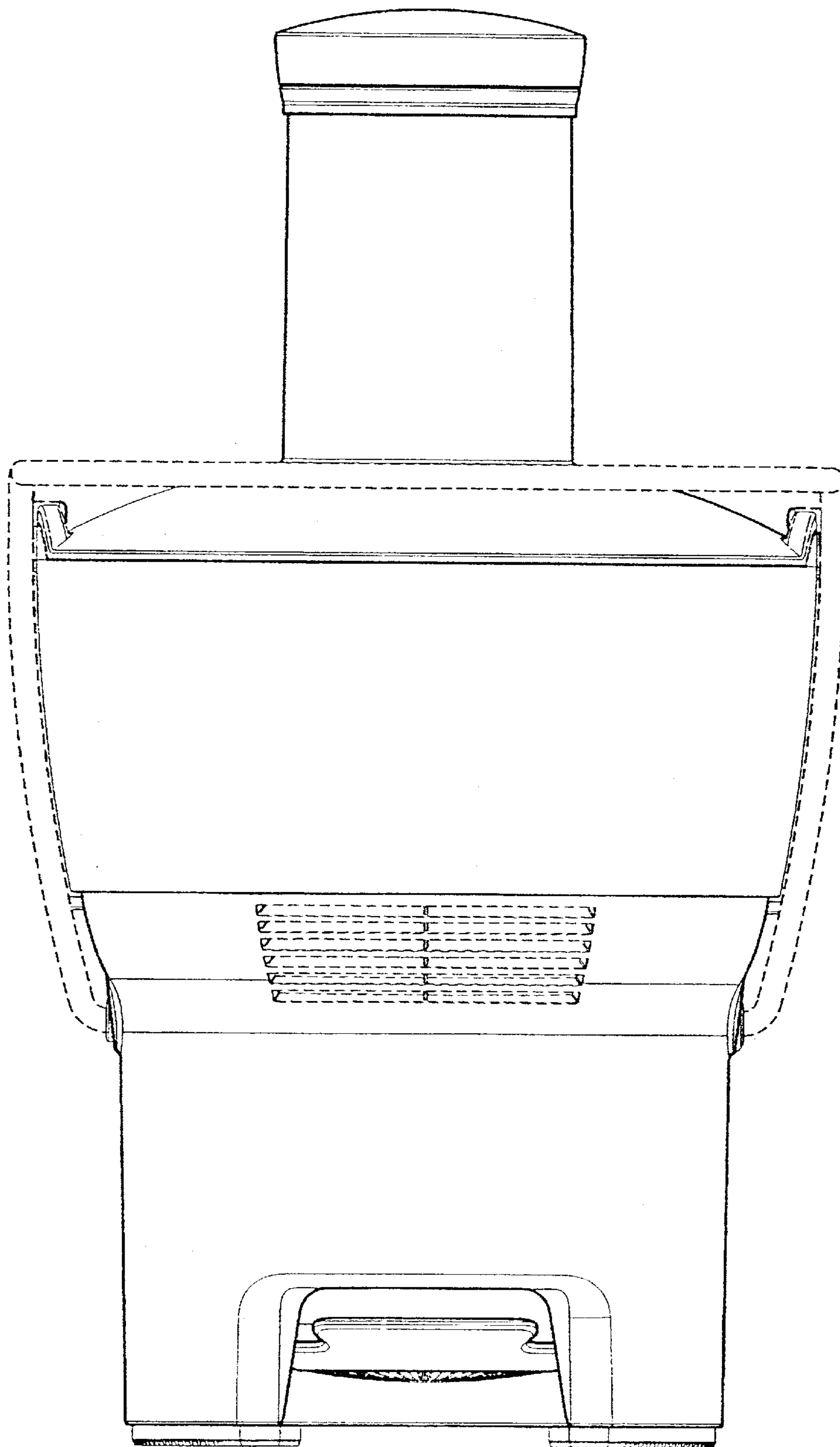


FIG. 3

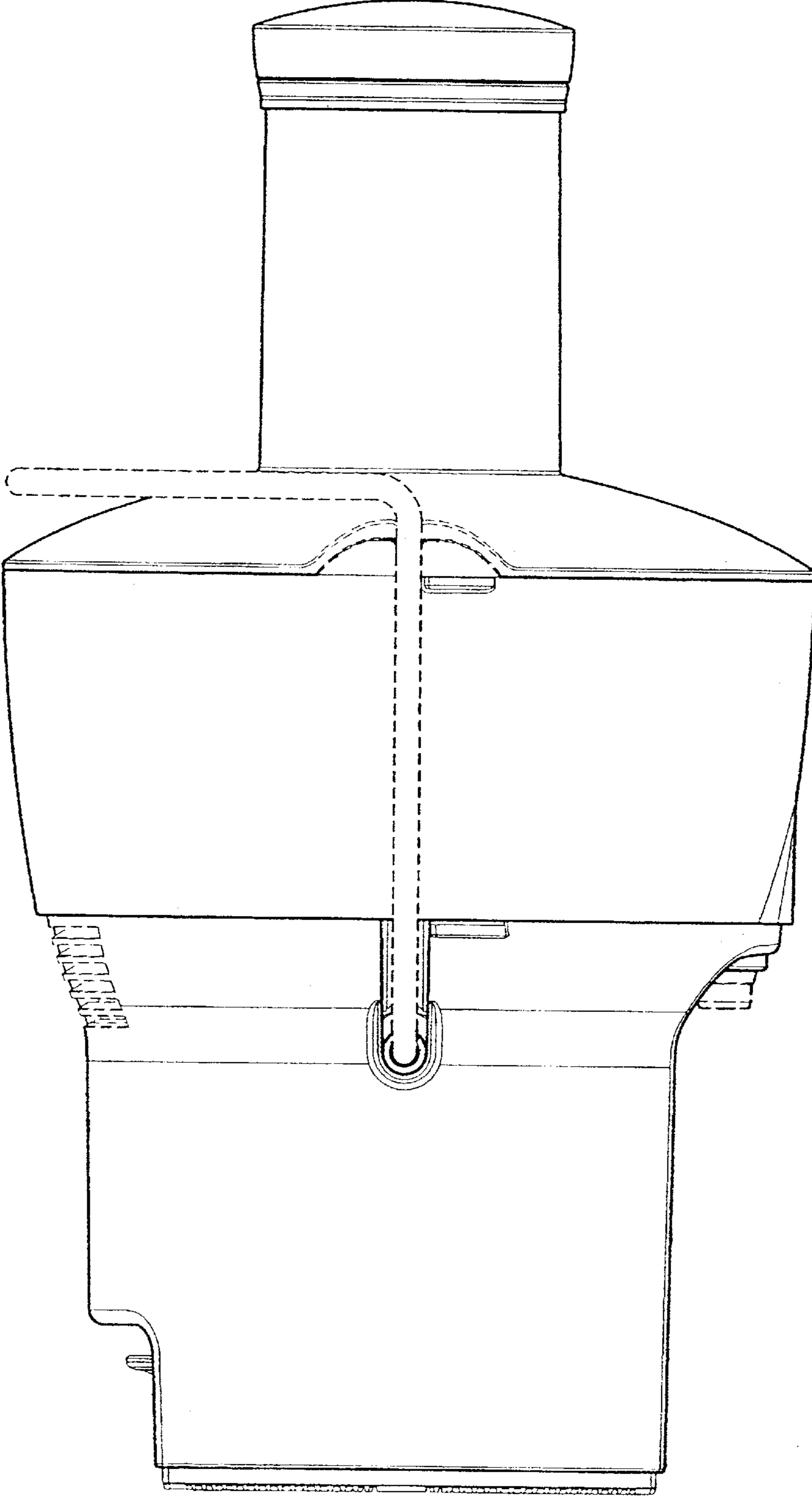


FIG. 4

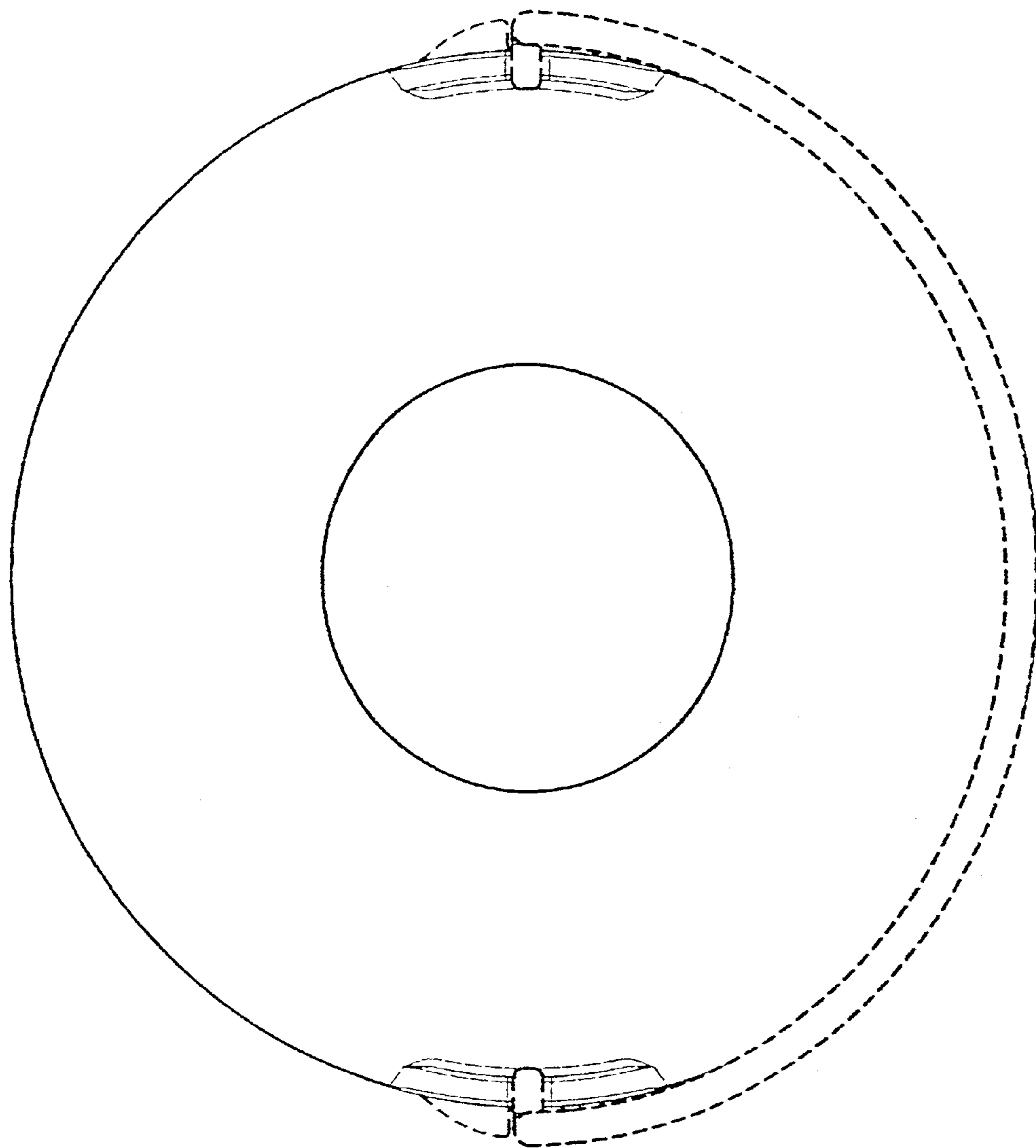


FIG. 5

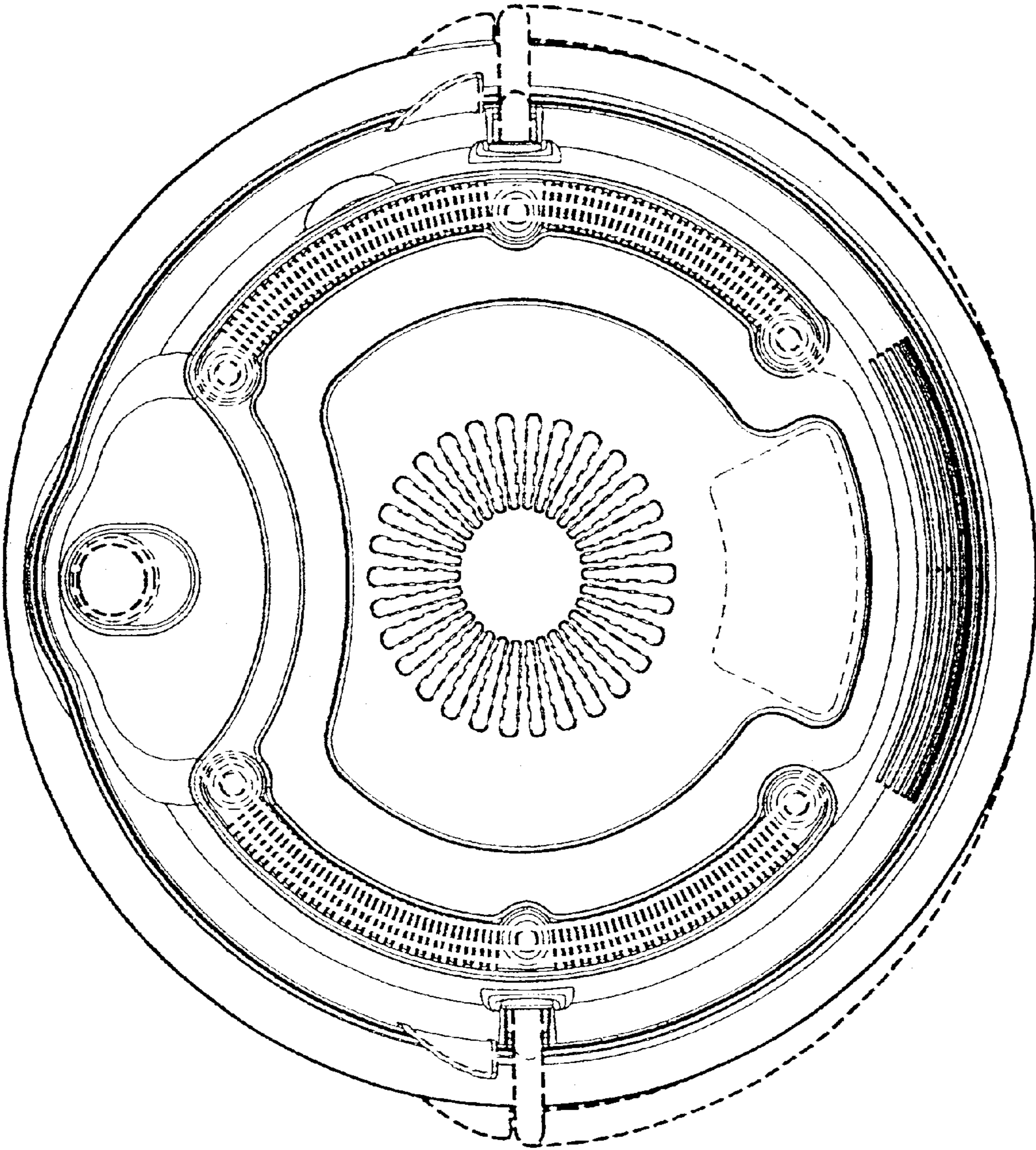


FIG. 6

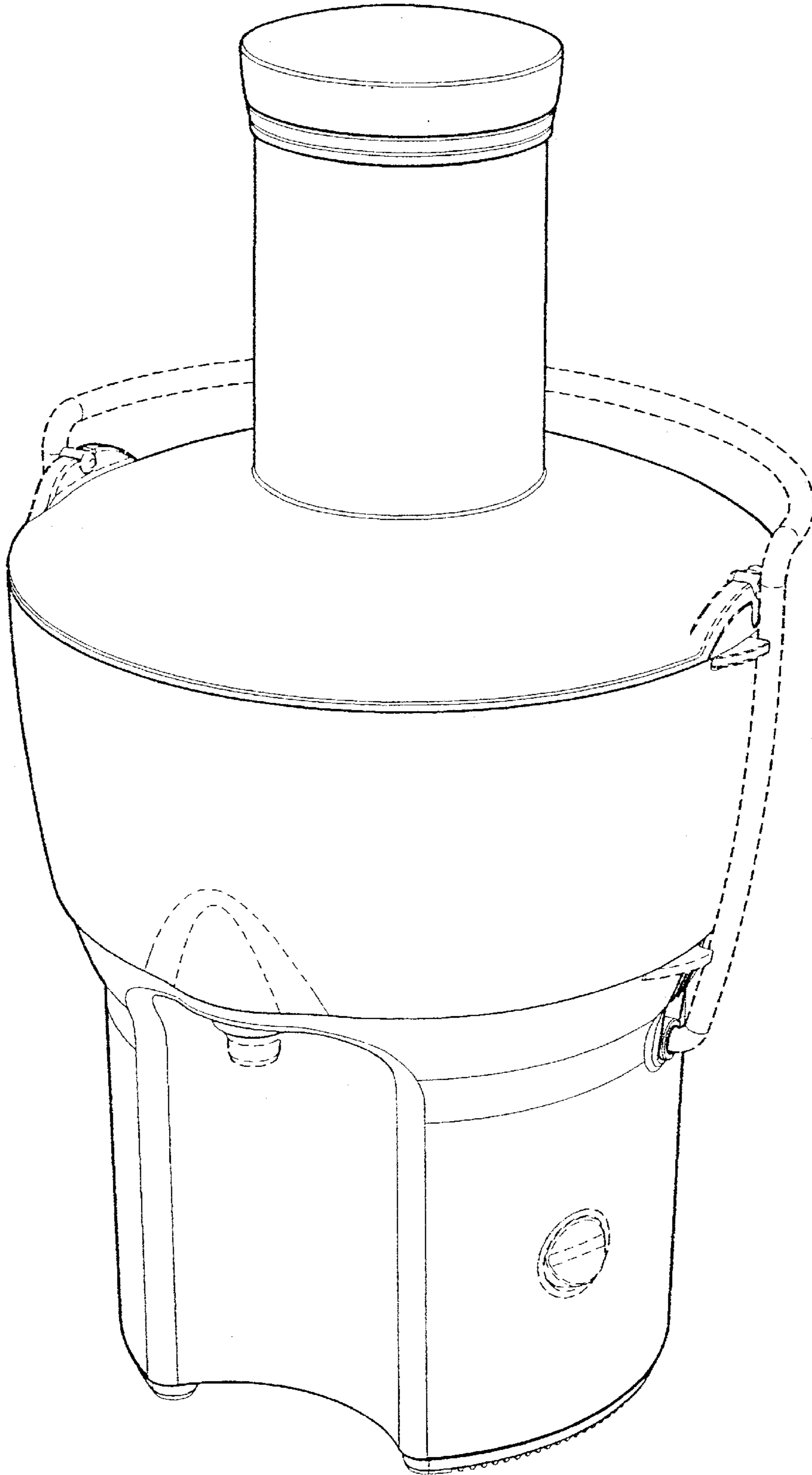


FIG. 7

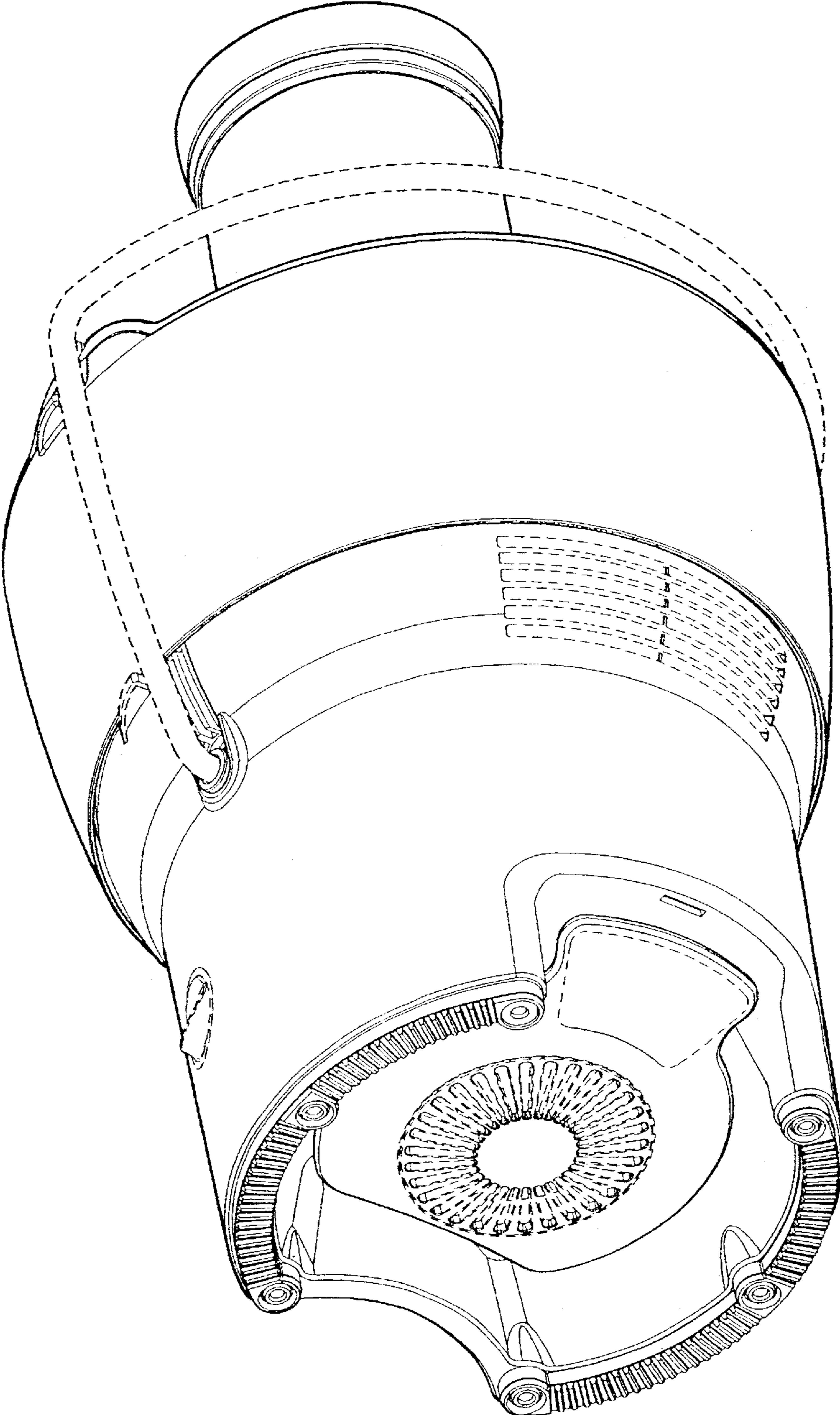


FIG. 8