



US00D528871S

(12) **United States Design Patent**
Zeiron

(10) **Patent No.:** **US D528,871 S**

(45) **Date of Patent:** **** Sep. 26, 2006**

(54) **PAPER PRODUCTS DISPENSER**

(75) Inventor: **Kent Zeiron**, Saro (SE)

(73) Assignee: **SCA Hygiene Products AB**,
Gothenburg (SE)

(**) Term: **14 Years**

(21) Appl. No.: **29/216,687**

(22) Filed: **Nov. 8, 2004**

(30) **Foreign Application Priority Data**

May 7, 2004 (EM) 000179080

(51) **LOC (8) Cl.** **09-03**

(52) **U.S. Cl.** **D7/631**

(58) **Field of Classification Search** D6/515-518;
D7/631-634; 206/233, 494; 211/13.1, 45,
211/50-51, 59.2; 221/33, 45, 48, 282, 284
See application file for complete search history.

(56) **References Cited**

U.S. PATENT DOCUMENTS

D263,669 S * 4/1982 Collins D7/631

D336,597 S * 6/1993 Renquist et al. D7/631
D405,655 S * 2/1999 Michaeli D7/631

* cited by examiner

Primary Examiner—Brian N Vinson

(74) *Attorney, Agent, or Firm*—Young & Thompson

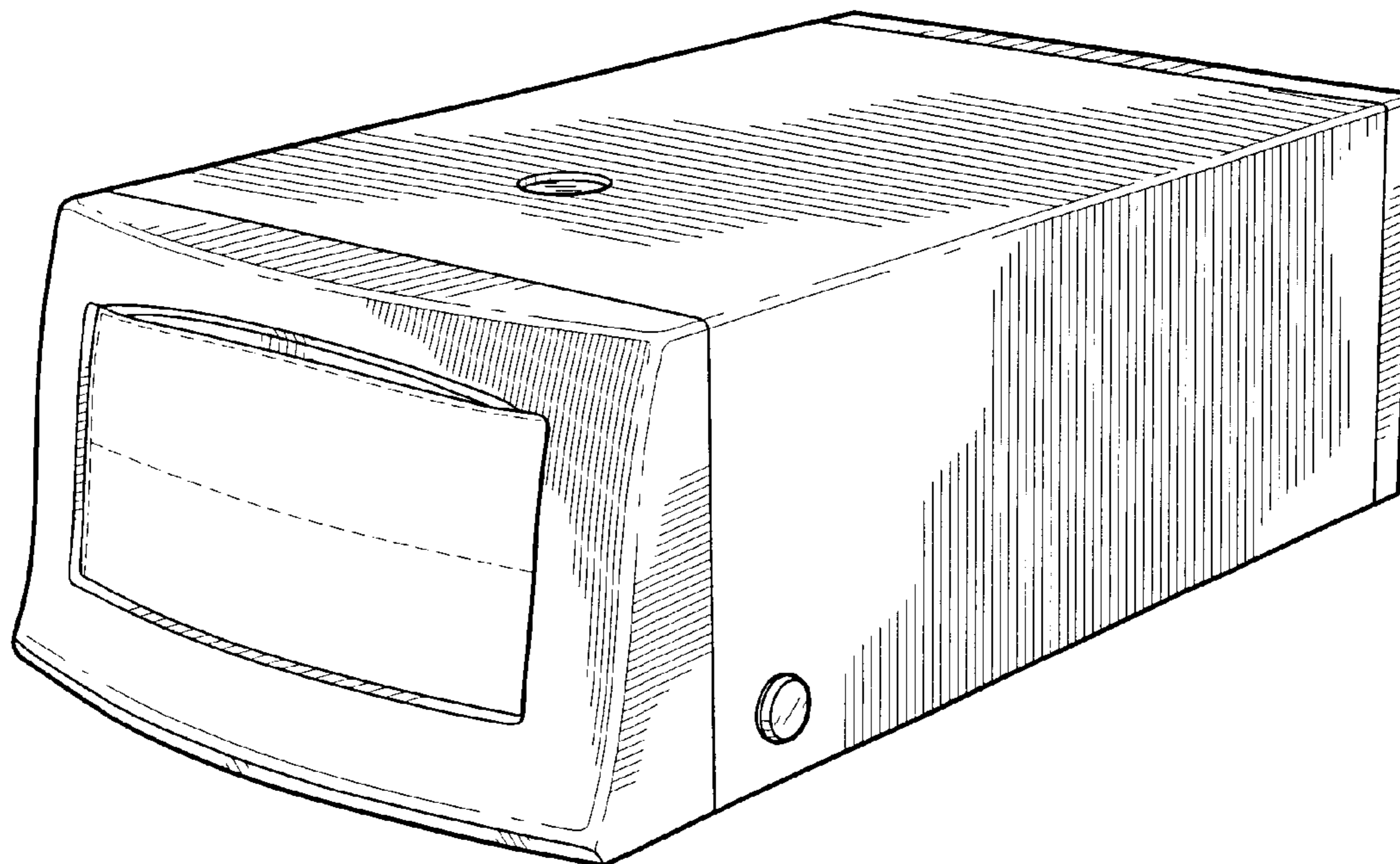
(57) **CLAIM**

The ornamental design for a paper products dispenser, as shown and described.

DESCRIPTION

FIG. 1 is a front, top and side perspective view showing a paper products dispenser according to the invention; FIG. 2 is a front elevational view thereof; FIG. 3 is a side elevational view thereof from the right of FIG. 2, the side opposite that shown in FIG. 2 being the mirror image thereof; FIG. 4 is a rear elevational view thereof; and, FIG. 5 is a bottom plan view thereof. The dashed lines visible through the dispensing opening signify paper products inside the dispenser. Neither the appearance of the paper products nor the appearance of the dispenser interior is claimed.

1 Claim, 2 Drawing Sheets



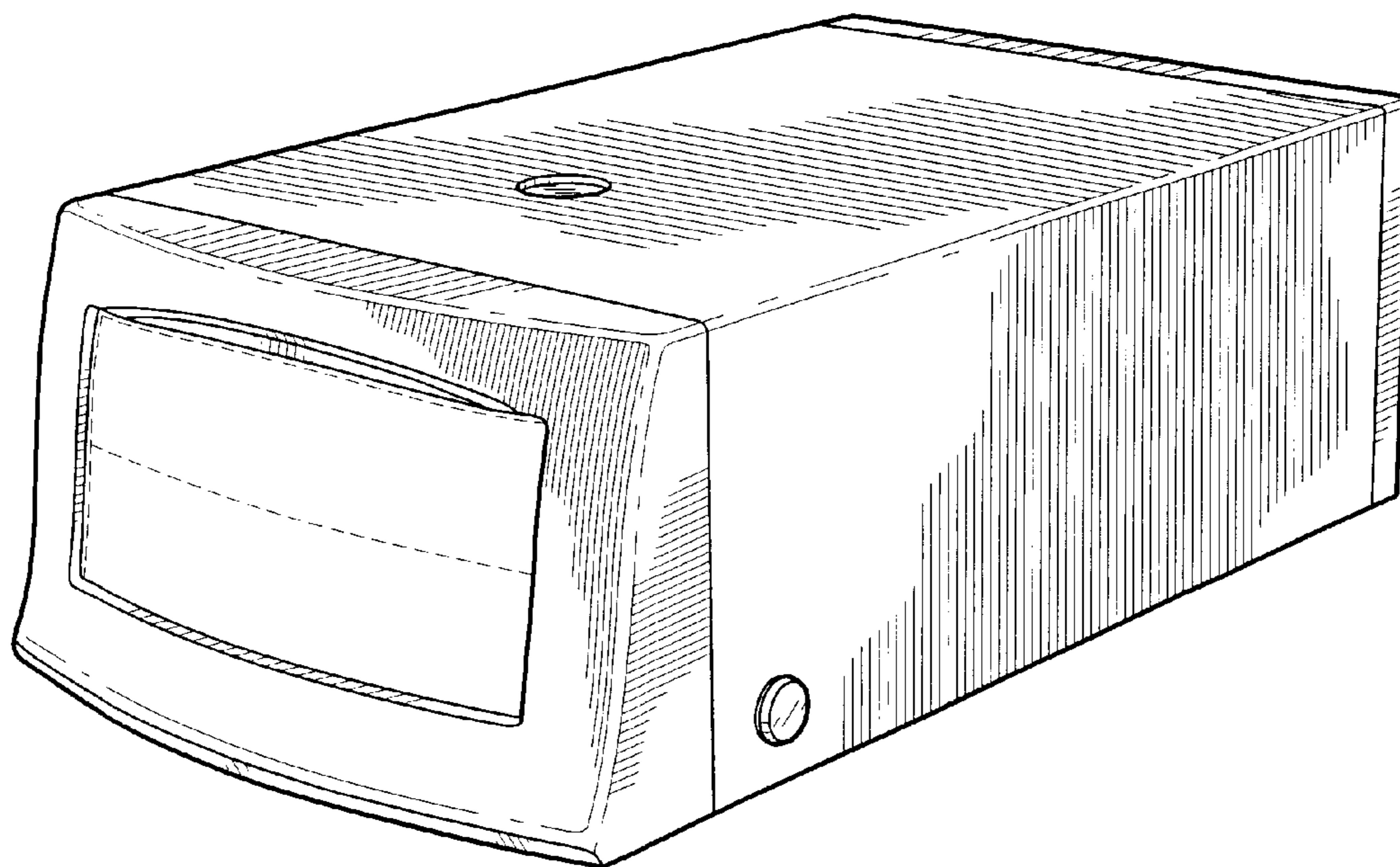


FIG. 1

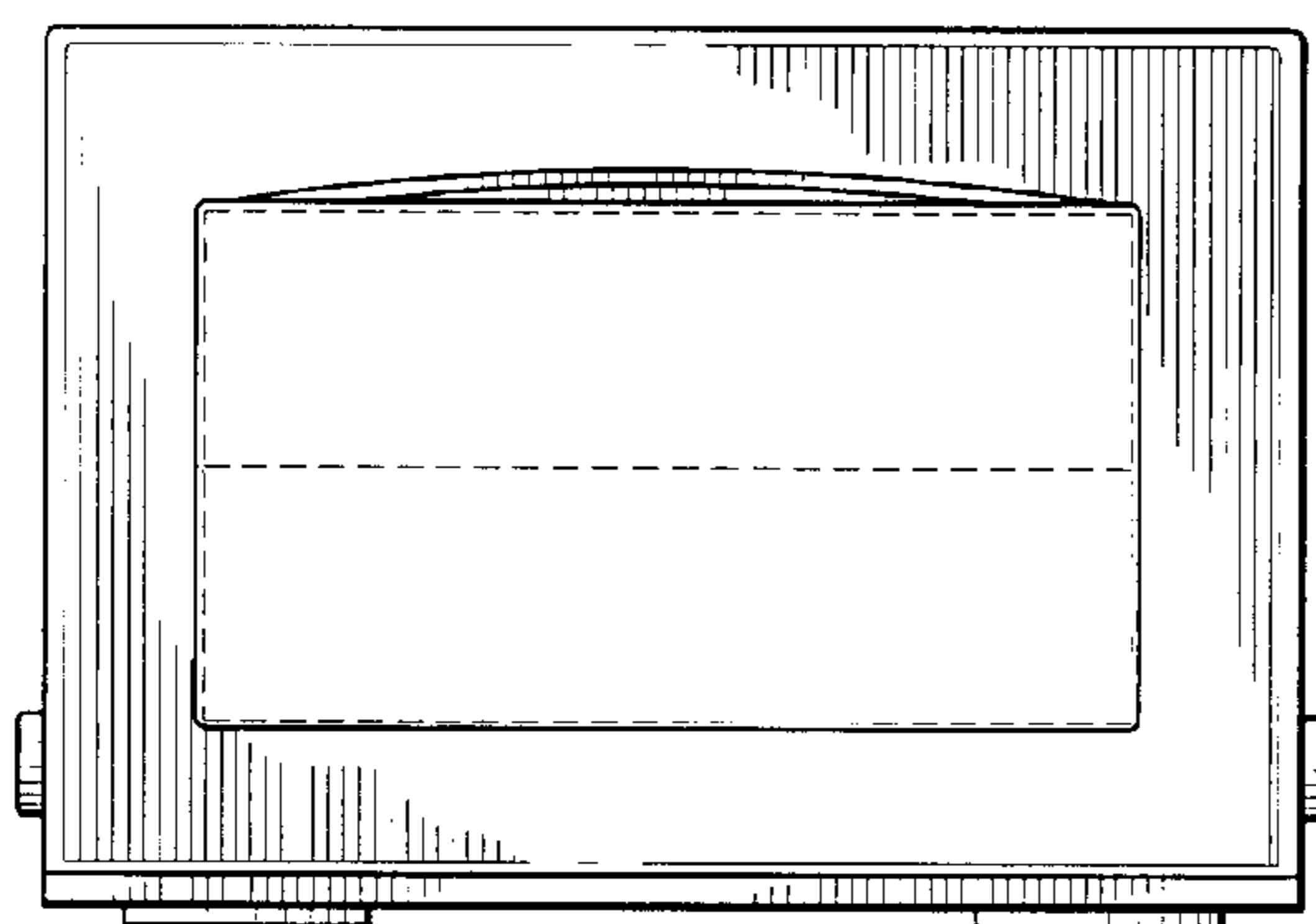


FIG. 2

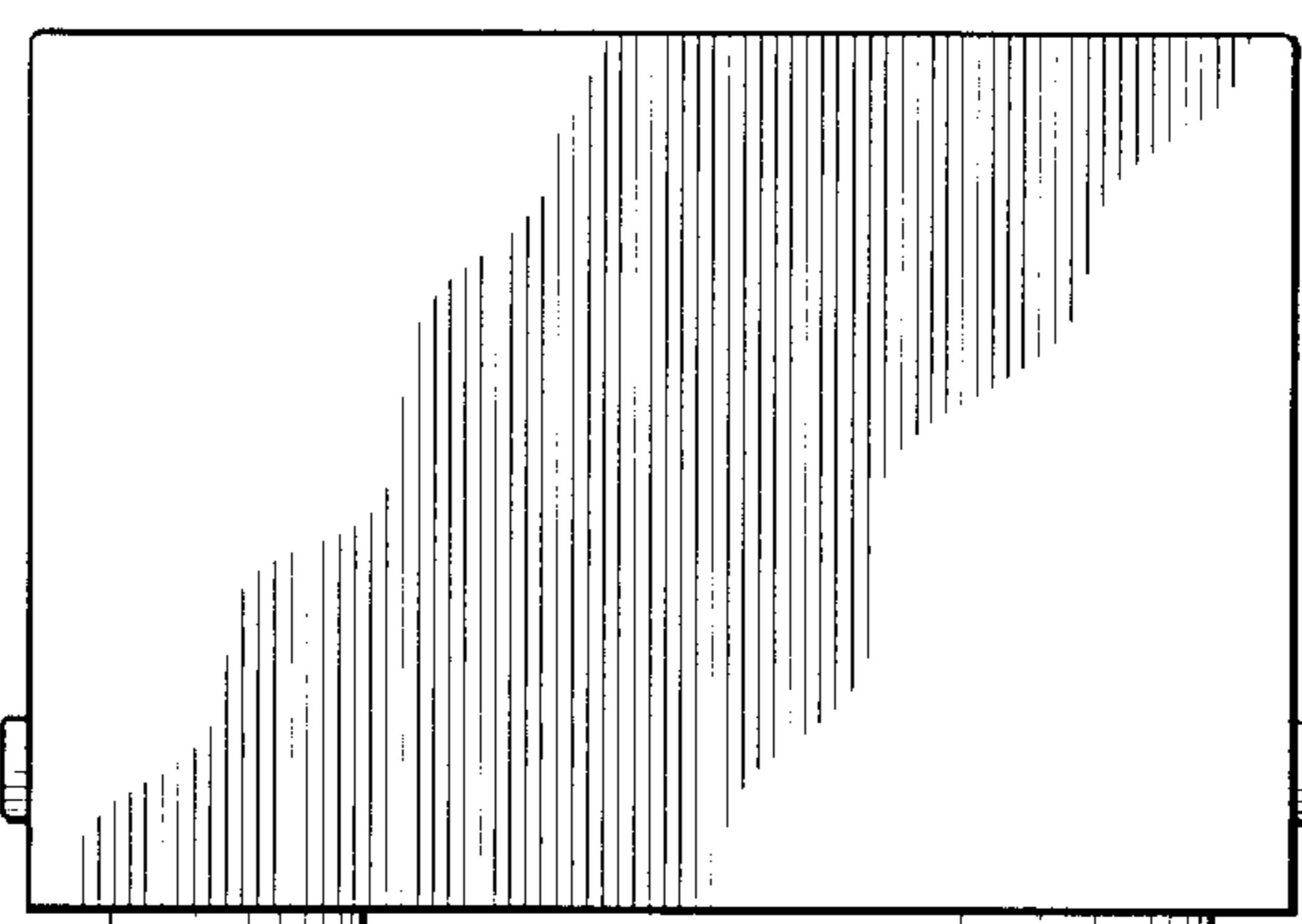


FIG. 4



FIG. 3

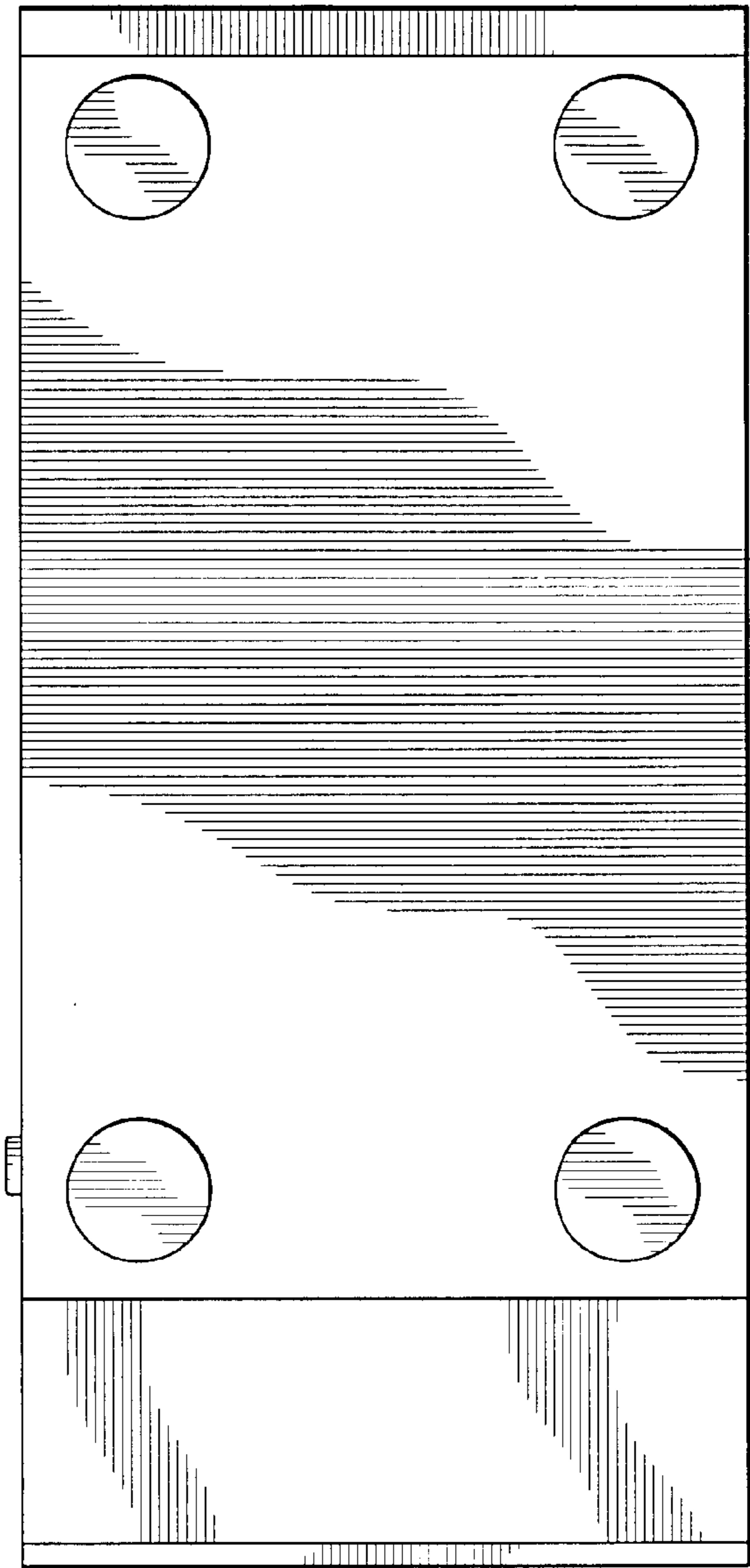


FIG. 5