

US00D528868S

(12) **United States Design Patent**
Yong

(10) **Patent No.:** **US D528,868 S**

(45) **Date of Patent:** **** Sep. 26, 2006**

(54) **CONDIMENT SHAKER**

(75) Inventor: **Kim L. Yong**, Pomona, CA (US)

(73) Assignee: **Sinoglass Co. LTD**, Gaomi (CN)

(**) Term: **14 Years**

(21) Appl. No.: **29/230,865**

(22) Filed: **May 31, 2005**

(51) **LOC (8) Cl.** **07-06**

(52) **U.S. Cl.** **D7/597**

(58) **Field of Classification Search** D7/590-599,
D7/701, 707, 708, 679, 401.1, 629; D9/501-504,
D9/549, 559; 211/74, 71.01; 222/142.1-142.9,
222/480; 248/311.2

See application file for complete search history.

(56) **References Cited**

U.S. PATENT DOCUMENTS

3,731,819	A	*	5/1973	Sandhage	211/74
4,019,638	A	*	4/1977	Miller	211/74
D407,306	S	*	3/1999	Saab	D7/701
D468,162	S	*	1/2003	Martin	D7/592
D503,075	S	*	3/2005	Martin	D7/592

* cited by examiner

Primary Examiner—Terry A. Wallace

(74) *Attorney, Agent, or Firm*—Raymond Y. Chan; David and Raymond Patent Group

(57) **CLAIM**

The ornamental design for a condiment shaker, as shown and described.

DESCRIPTION

FIG. 1 is a perspective view showing my new design.

FIG. 2 is a front end view thereof.

FIG. 3 is a rear end view thereof.

FIG. 4 is a left view thereof.

FIG. 5 is a right view thereof.

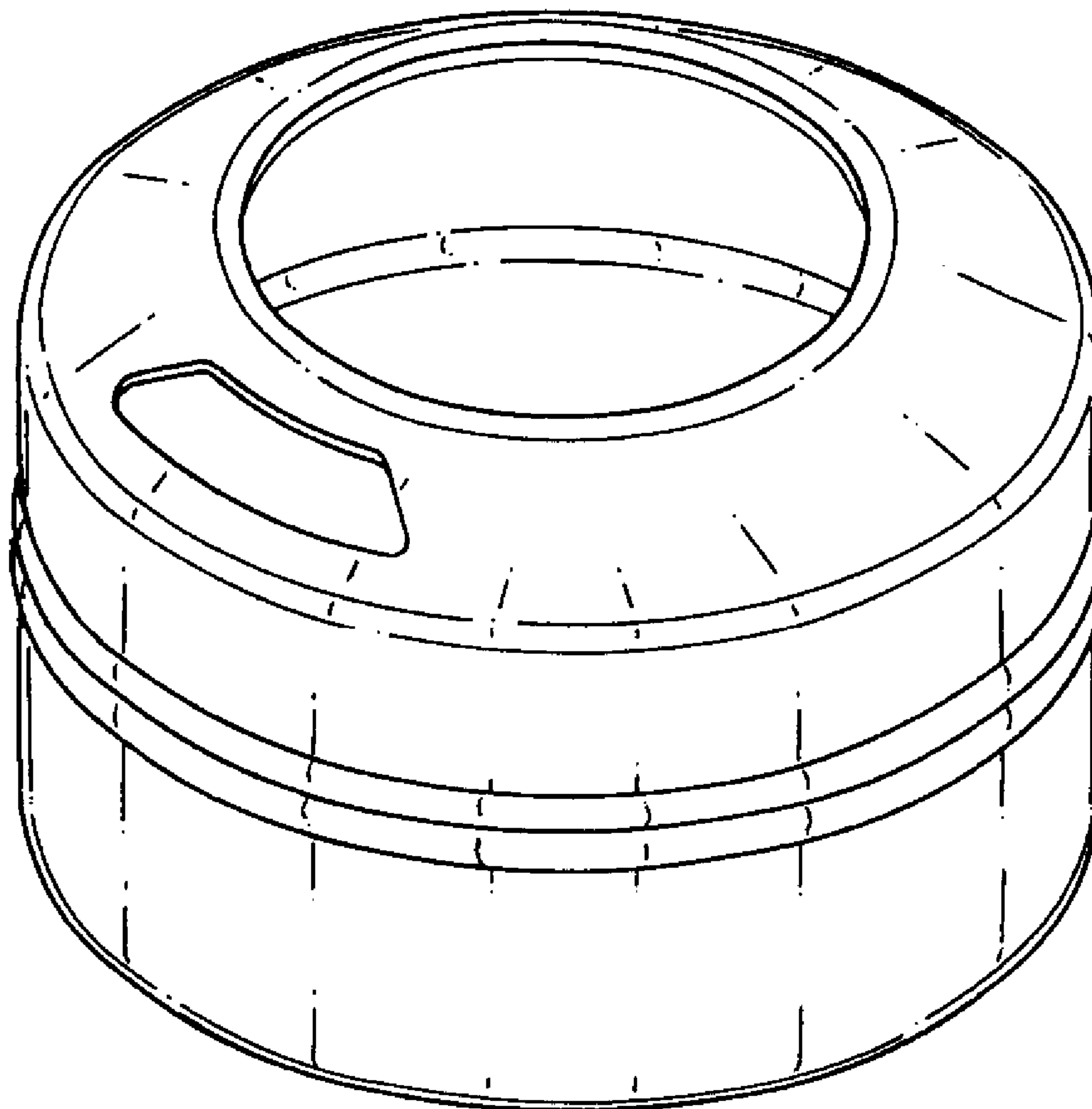
FIG. 6 is a top view thereof.

FIG. 7 is a bottom view thereof.

FIG. 8 is an exploded perspective view of my new design, illustrating the condiment shaker adapted for placing on condiment shaker tray, wherein the broken lines of the condiment shaker tray shown in FIG. 8 form no part of the claimed design; and,

FIG. 9 is a perspective view of my new design, illustrating a plurality of condiment shaker on condiment shaker tray, wherein the broken lines of the condiment shaker tray shown in FIG. 9 form no part of the claimed design.

1 Claim, 9 Drawing Sheets



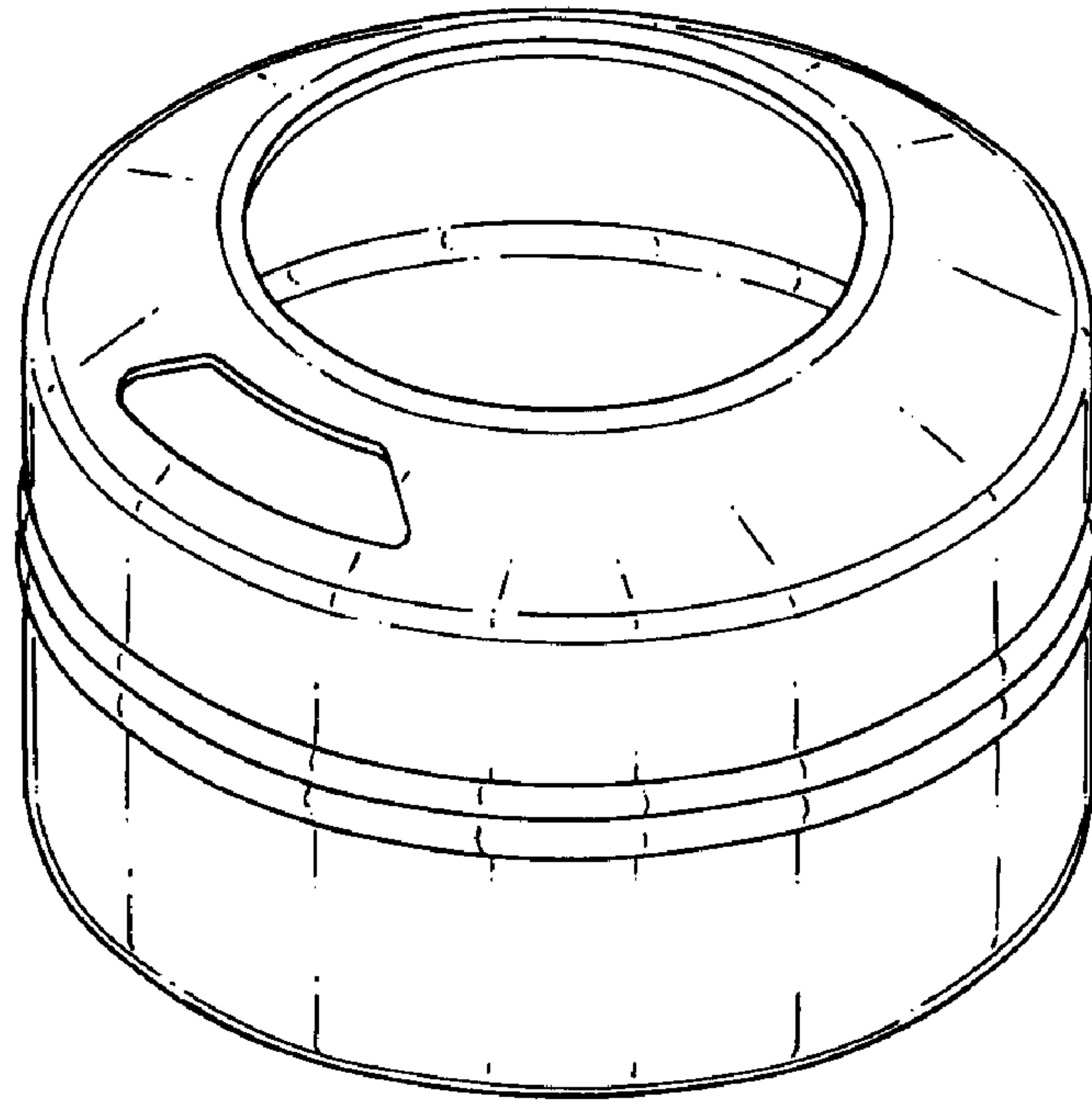


FIG. 1

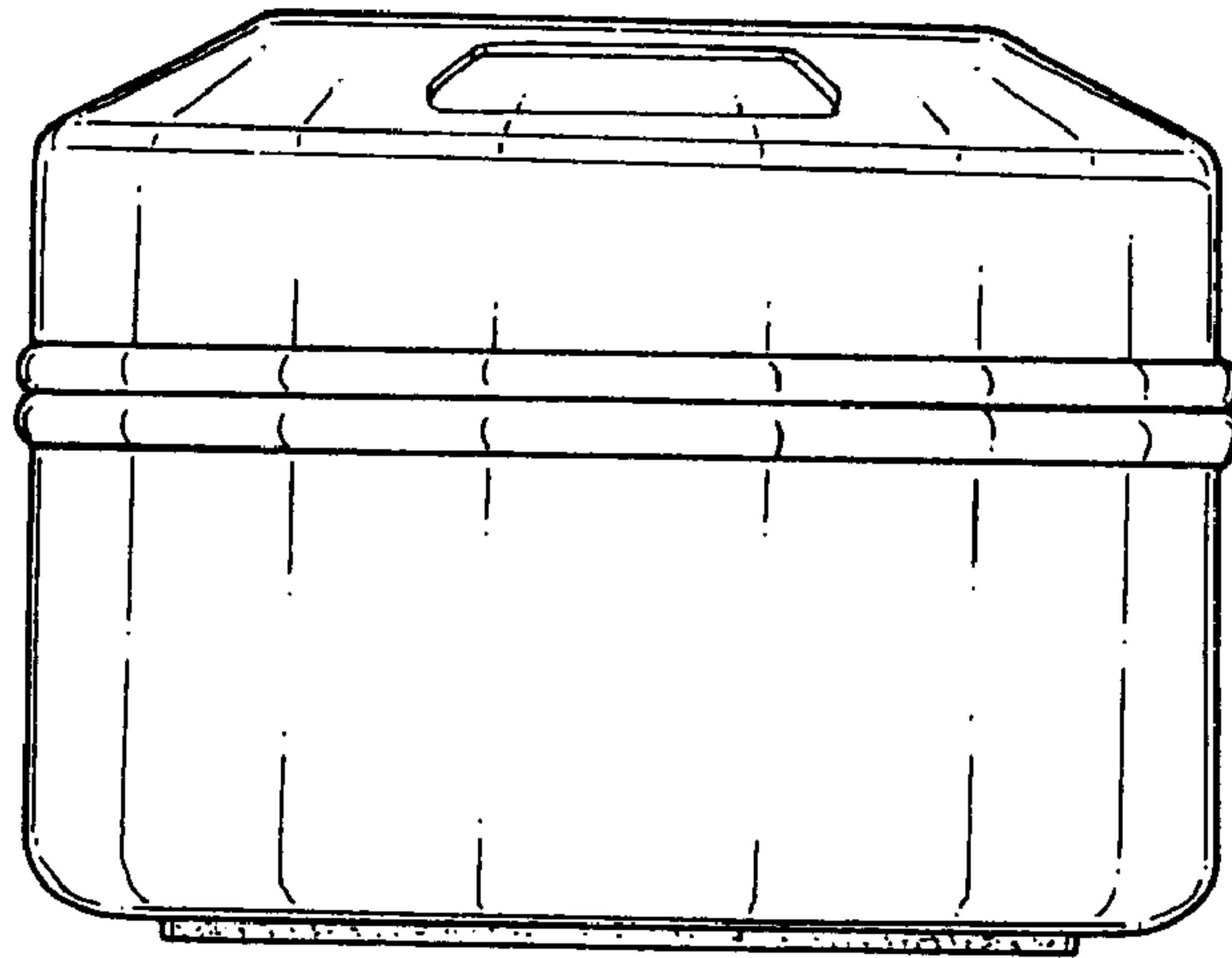


FIG. 2

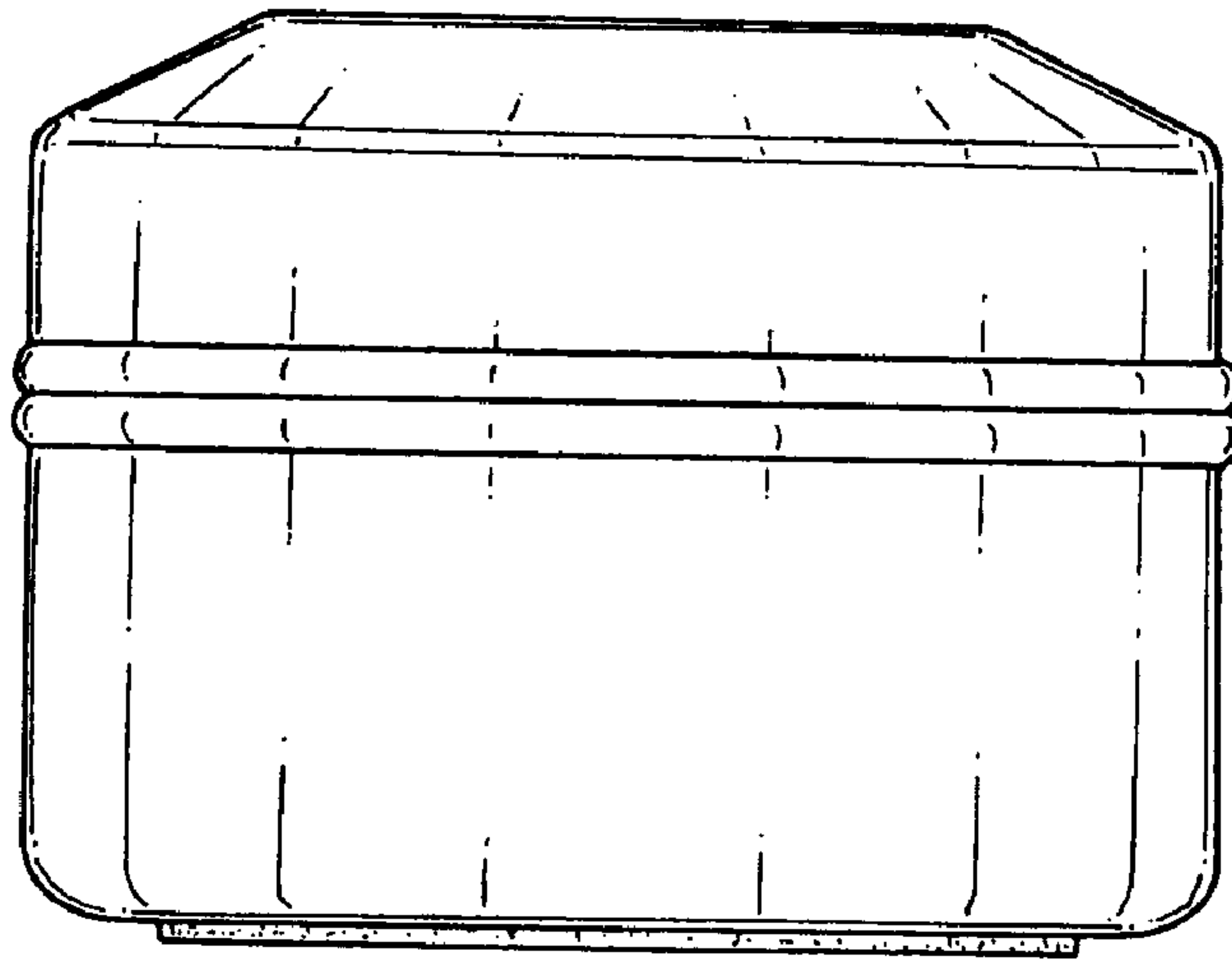


FIG. 3

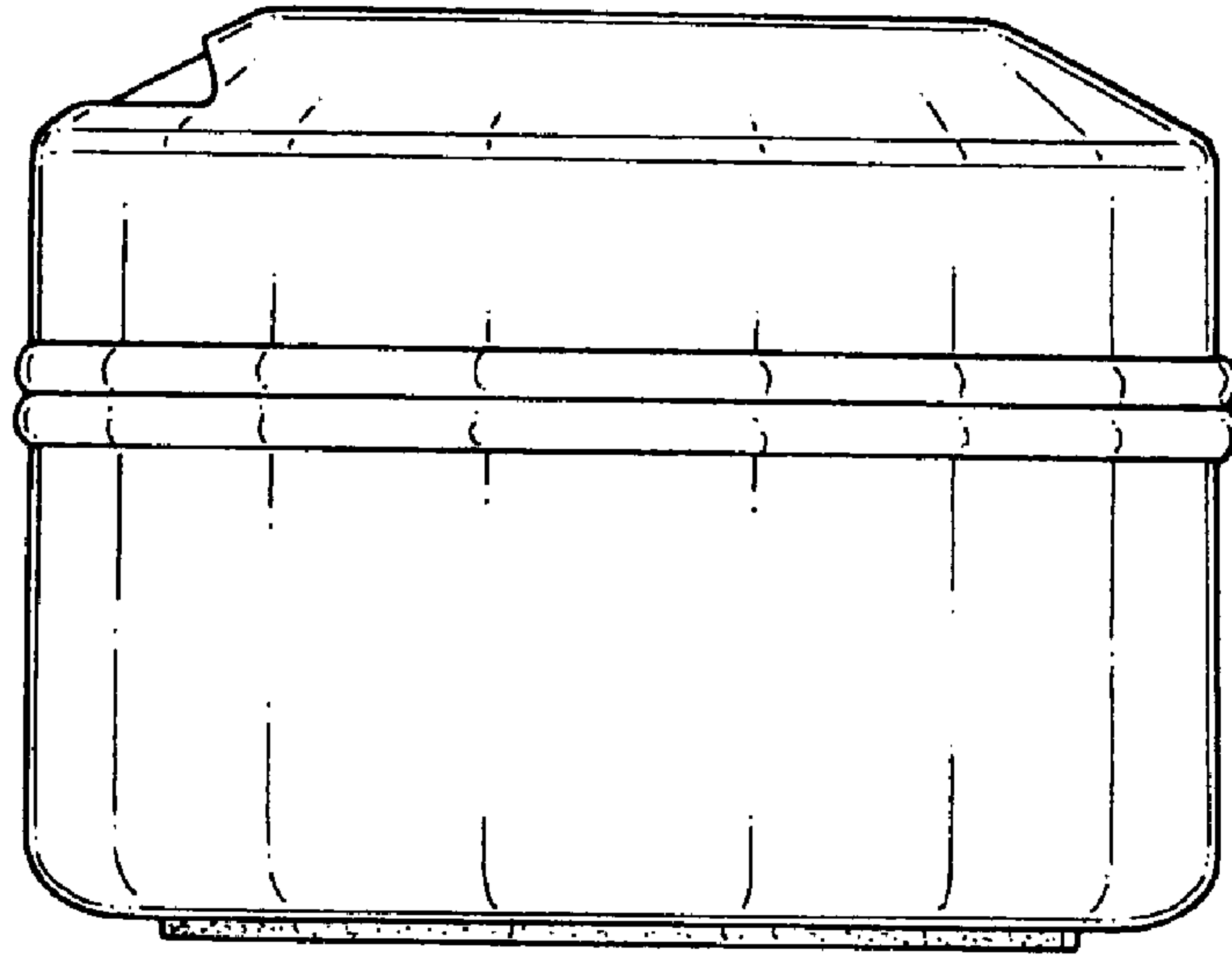


FIG. 4

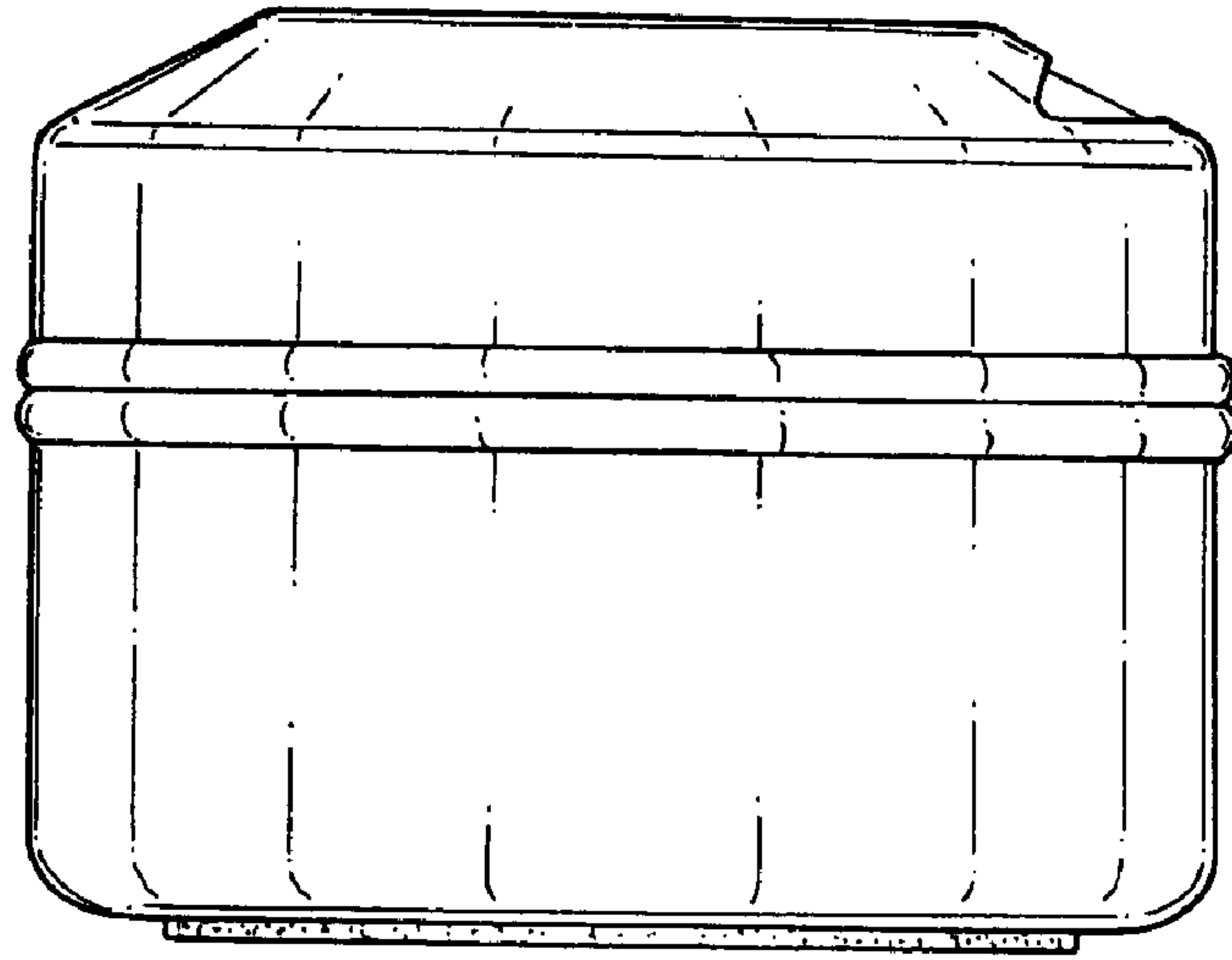


FIG. 5

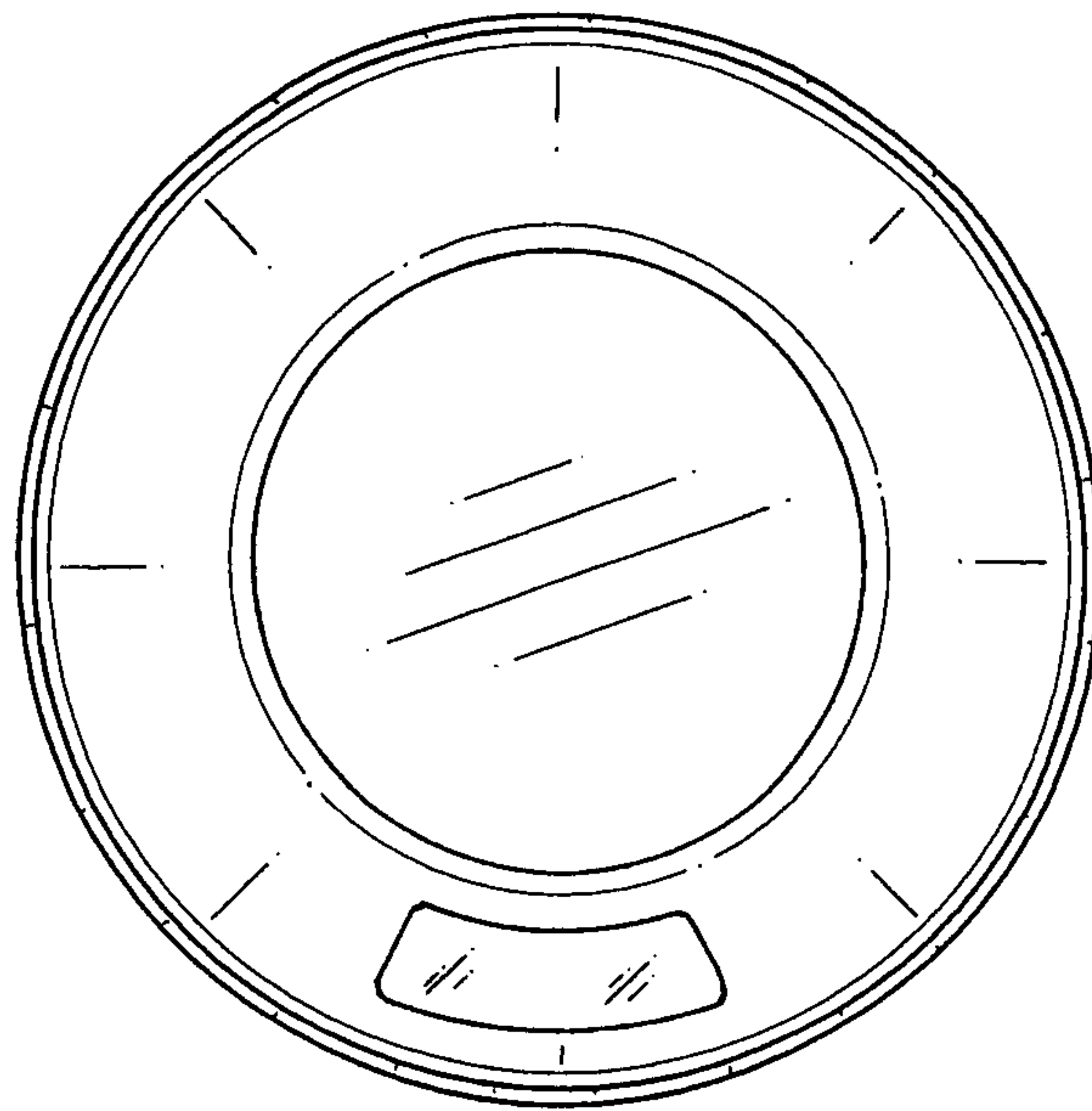


FIG. 6

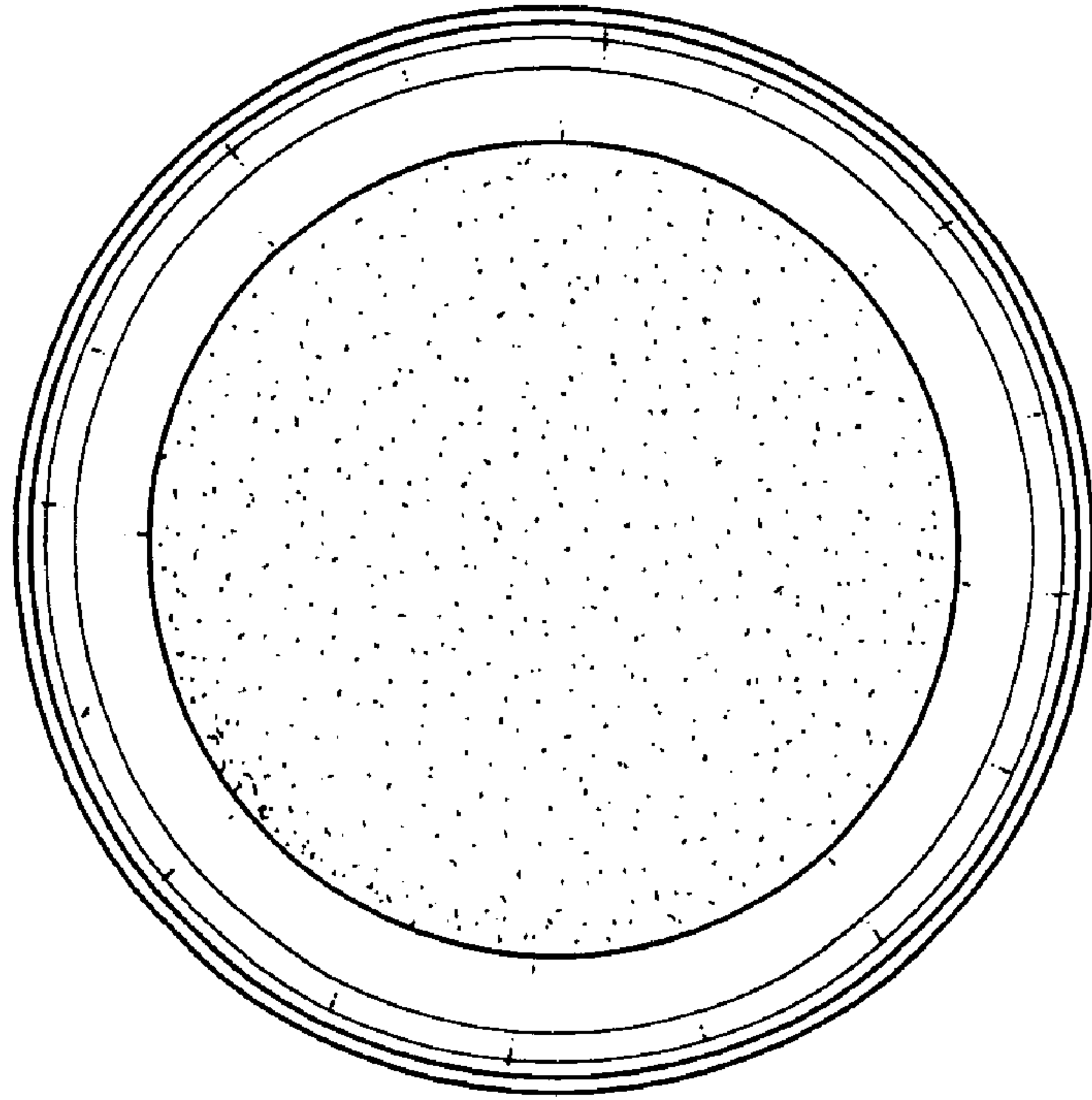


FIG. 7

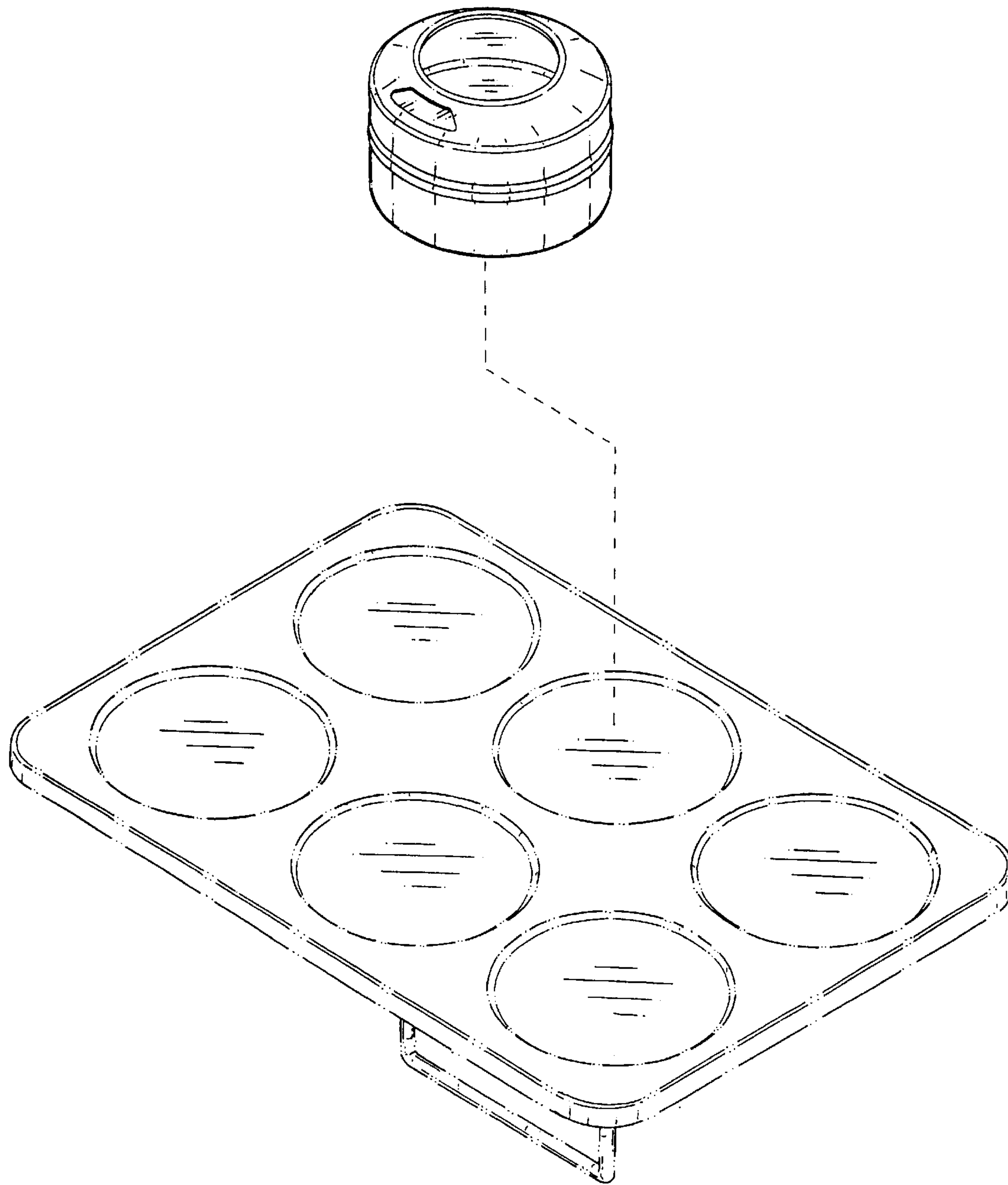


FIG. 8

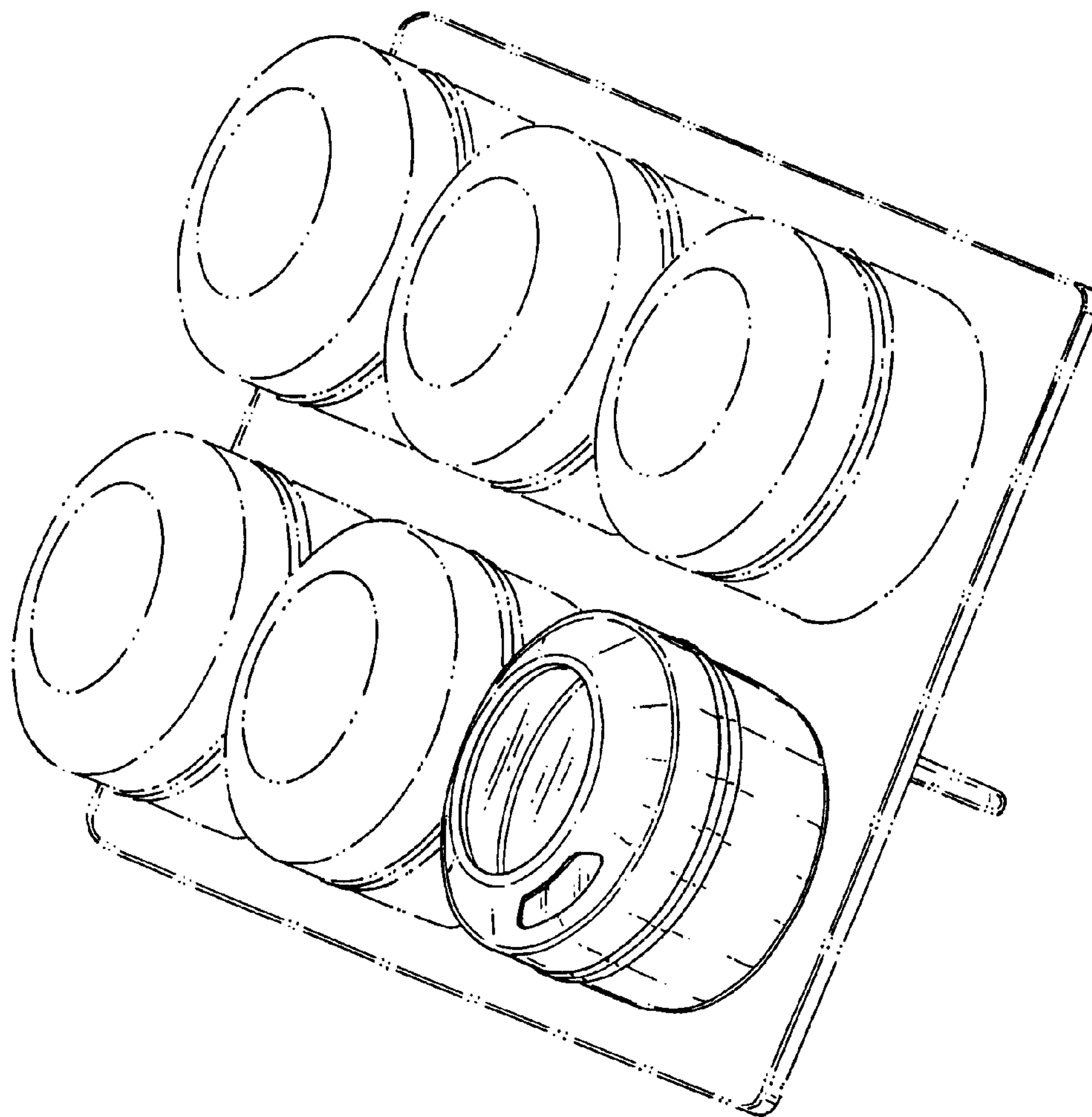


FIG. 9