



US00D528862S

(12) **United States Design Patent**  
**Li**

(10) **Patent No.:** **US D528,862 S**

(45) **Date of Patent:** **\*\* Sep. 26, 2006**

(54) **BEVERAGE BOTTLE**

(75) **Inventor:** **Jack K. Y. Li**, Hong Kong (HK)

(73) **Assignee:** **CDI International, Inc.**, West Chester, PA (US)

(\*\*) **Term:** **14 Years**

(21) **Appl. No.:** **29/216,773**

(22) **Filed:** **Nov. 9, 2004**

(51) **LOC (8) Cl.** ..... **07-01**

(52) **U.S. Cl.** ..... **D7/510; D7/511; D7/523**

(58) **Field of Classification Search** ..... D7/510,  
D7/511, 509, 523; D9/503, 502, 539, 530,  
D9/549, 689, 504, 446, 445; 220/212, 729,  
220/705, 703, 708, 712, 711; 215/395, 388,  
215/12.1

See application file for complete search history.

(56) **References Cited**

**U.S. PATENT DOCUMENTS**

D233,116 S	*	10/1974	Swett	.....	D7/300.1
D391,448 S	*	3/1998	Winer et al.	.....	D7/510
D408,221 S	*	4/1999	Asberg	.....	D7/511
D426,773 S	*	6/2000	Warner et al.	.....	D9/503
D436,041 S	*	1/2001	Bang	.....	D9/503
D467,179 S	*	12/2002	Nelson et al.	.....	D9/503
D478,779 S	*	8/2003	Stamper et al.	.....	D7/510
D480,267 S	*	10/2003	Freed et al.	.....	D7/510

D480,305 S	*	10/2003	Nusbaum et al.	.....	D9/447
D486,966 S	*	2/2004	Steendyk	.....	D6/349
D501,792 S	*	2/2005	Priestman	.....	D9/500
D501,794 S	*	2/2005	Kunesh et al.	.....	D9/521
D502,844 S	*	3/2005	Rohe	.....	D7/510
D512,874 S	*	12/2005	Poulson et al.	.....	D7/510
D515,357 S	*	2/2006	Ward et al.	.....	D7/510
D517,864 S	*	3/2006	Yu	.....	D7/510

**FOREIGN PATENT DOCUMENTS**

HK 0410295.OM003 2/2004

\* cited by examiner

*Primary Examiner*—M. N. Pandozzi

(74) *Attorney, Agent, or Firm*—Cook, Alex, McFarron, Manzo, Cummings & Mehler, Ltd.

(57) **CLAIM**

The ornamental design for a beverage bottle, as shown and described.

**DESCRIPTION**

FIG. 1 is a perspective side and top view of one side of the beverage bottle of the present invention.

FIG. 2 front view thereof;

FIG. 3 is a left side view thereof;

FIG. 4 is a rear view thereof;

FIG. 5 is a top view of the container of FIG. 1; and,

FIG. 6 is a bottom view of the container of FIG. 1.

**1 Claim, 3 Drawing Sheets**

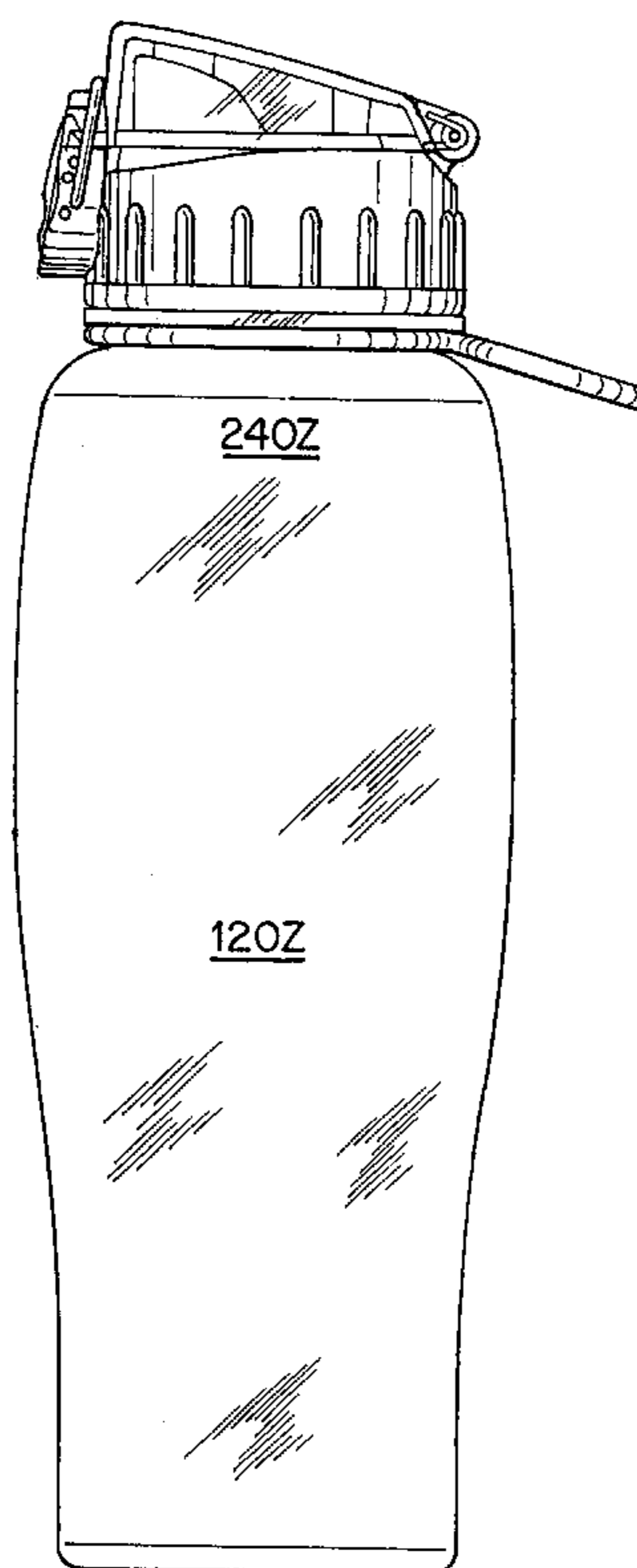
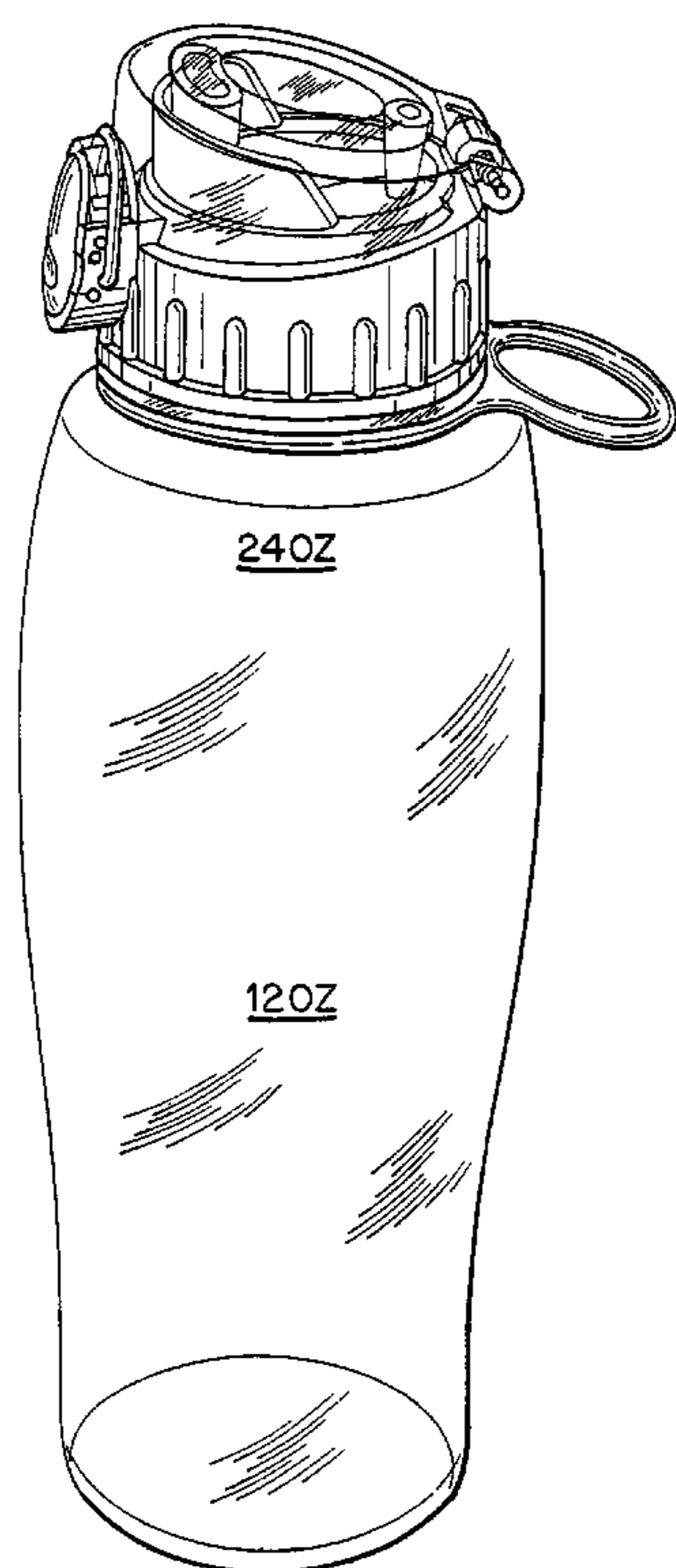


FIG. 1

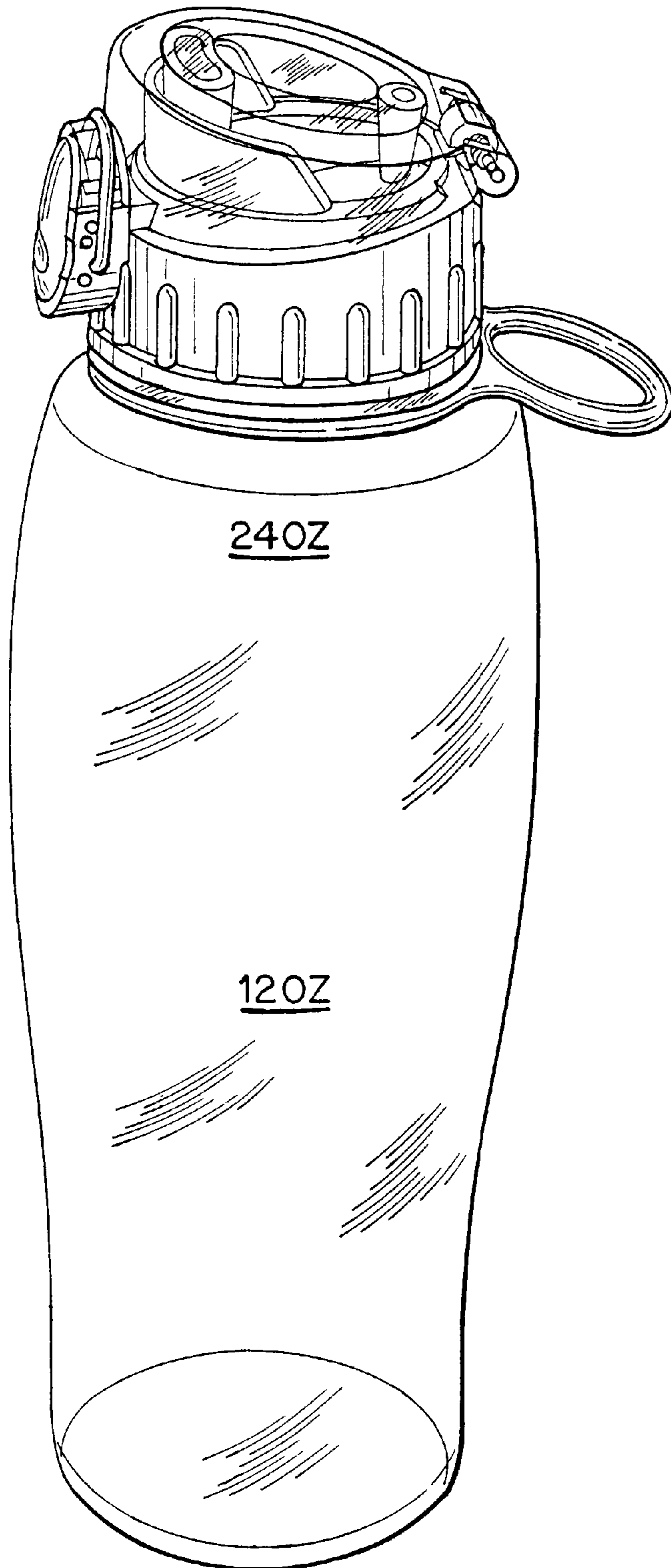


FIG.2

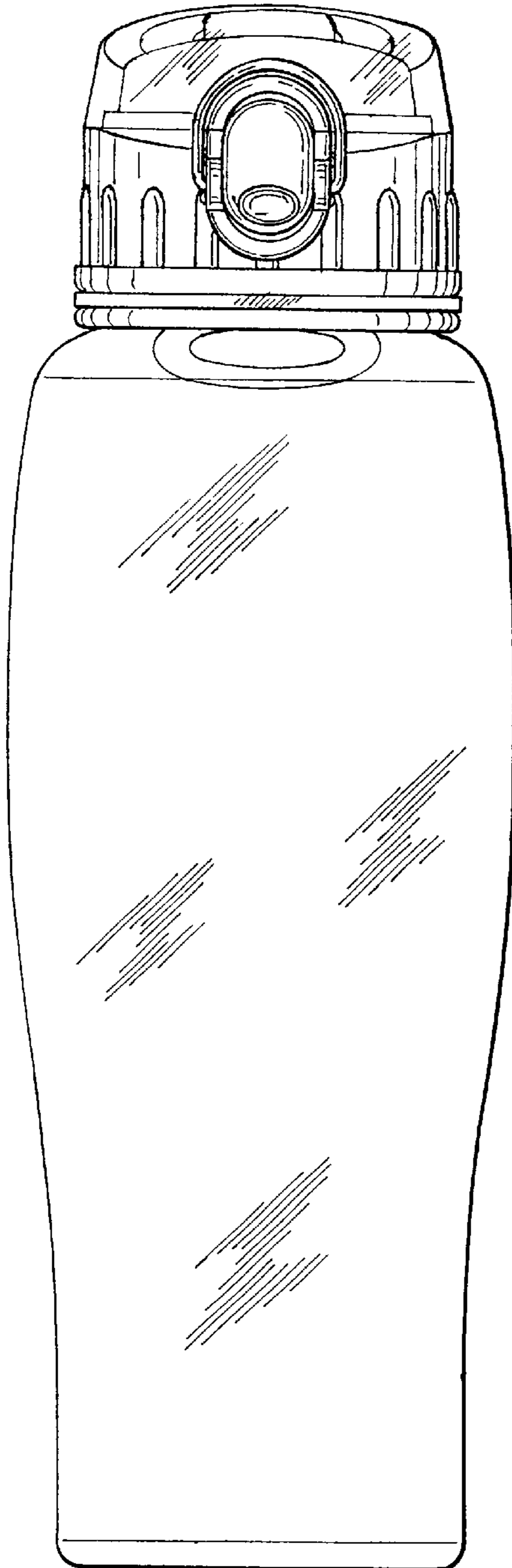


FIG.3

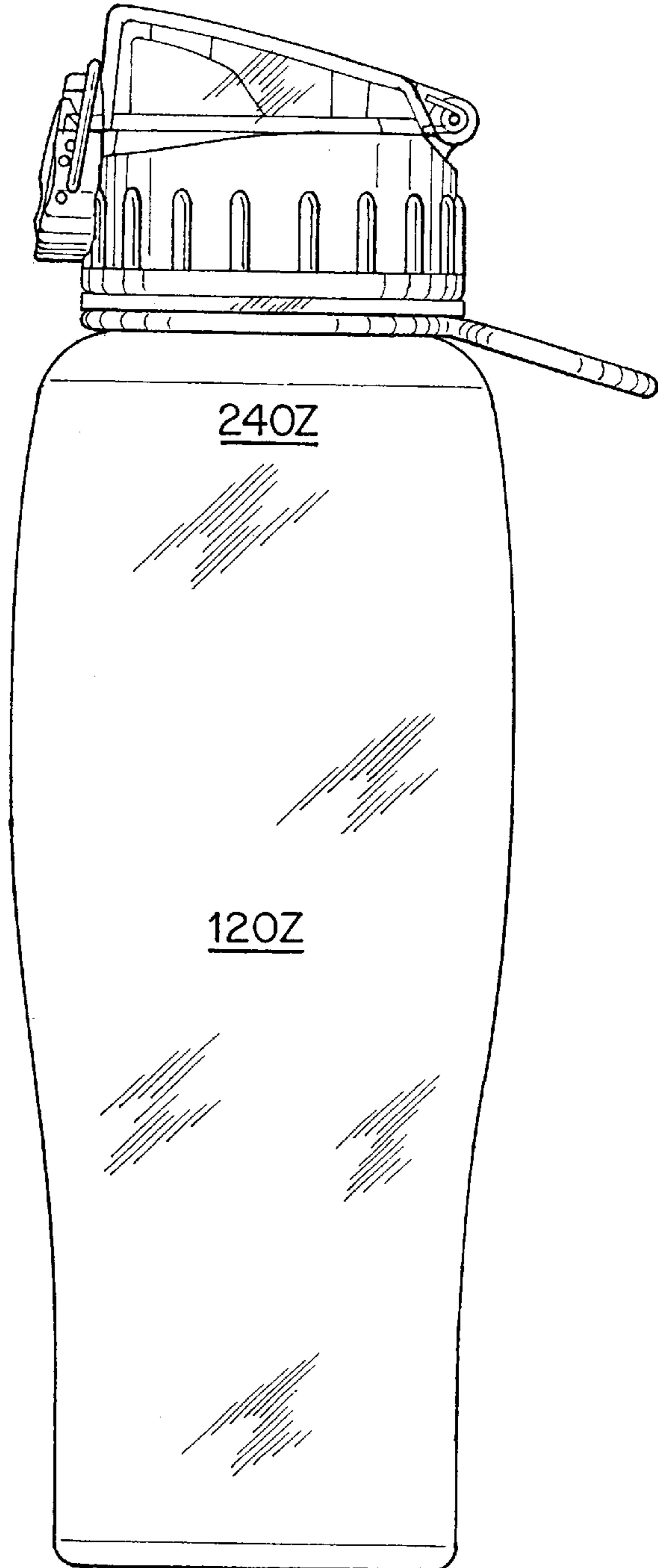


FIG.4

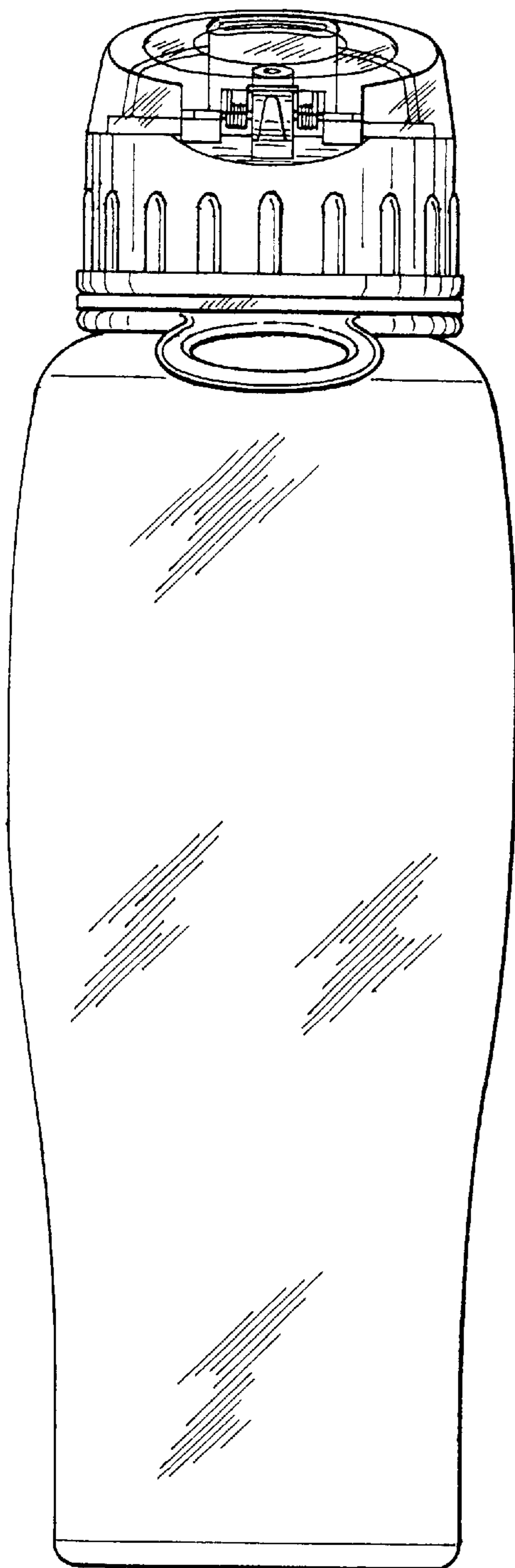


FIG.5

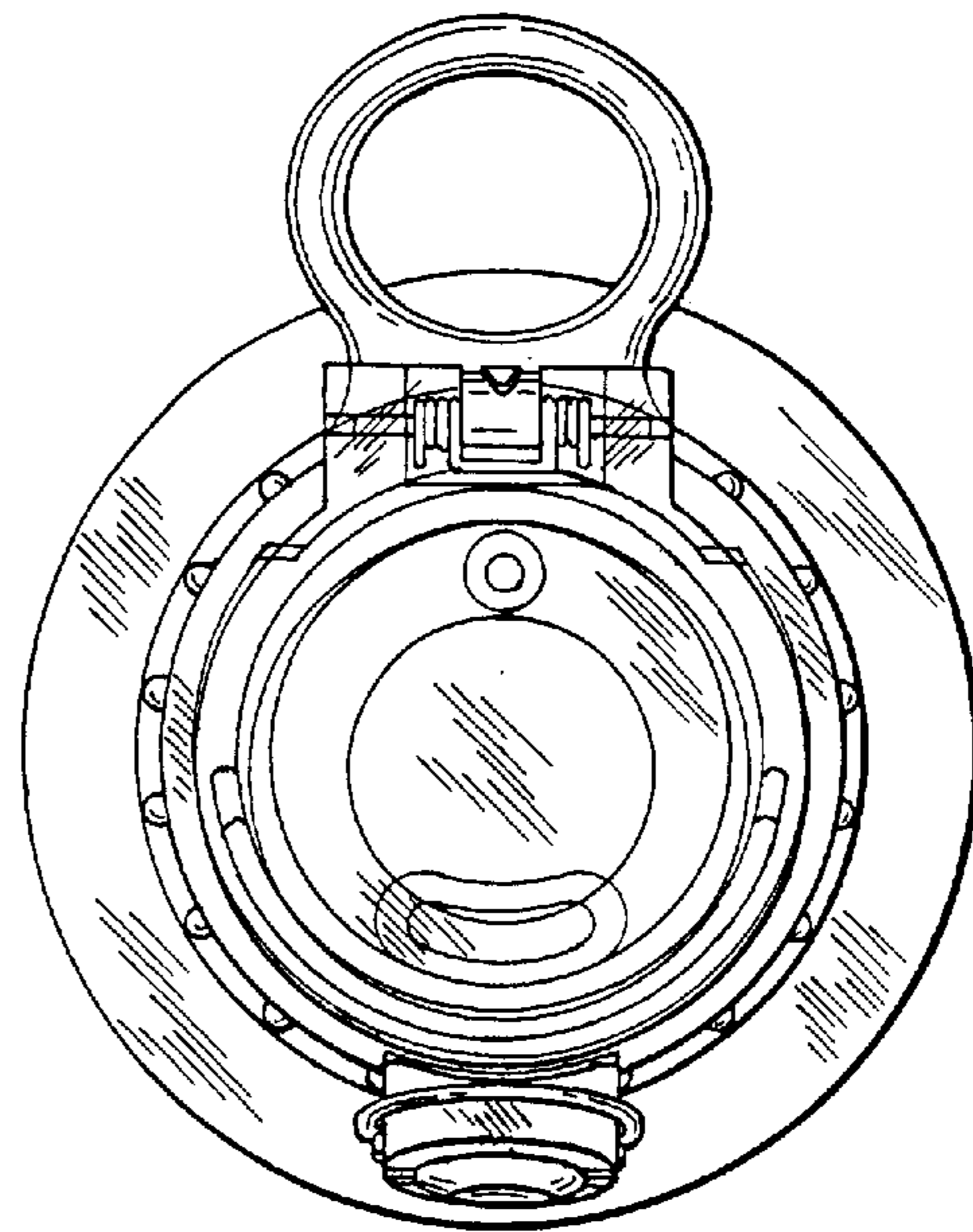


FIG.6

