



US00D528859S

(12) **United States Design Patent** (10) **Patent No.:** **US D528,859 S**  
**Boozer et al.** (45) **Date of Patent:** **\*\* Sep. 26, 2006**

(54) **BLENDER BLADE**

(75) Inventors: **Richard D. Boozer**, Wakeman, OH (US); **Michael D. Anton**, Olmsted Township, OH (US)  
(73) Assignee: **Vita-Mix Corporation**, Cleveland, OH (US)  
(\*\*) Term: **14 Years**

(21) Appl. No.: **29/215,760**

(22) Filed: **Oct. 25, 2004**

(51) **LOC (8) Cl.** ..... **31-00**

(52) **U.S. Cl.** ..... **D7/412**

(58) **Field of Classification Search** ..... D7/306, D7/309, 311, 376-386, 412, 413, 415, 509, D7/523, 529, 530; 99/348, 509-511; 241/30, 241/33, 36, 37.5, 168, 101.01, 101.1, 199, 241/101.2, 279, 282.2, 285.1, 285.2, 199.12, 241/282.1, 291, 292.1, 301; 366/64-67, 98, 366/100, 129, 130, 146, 192, 219, 197-214, 366/241-254, 279, 282, 314, 318, 325.3, 366/325.92, 325.93, 325.94, 327.2, 328.2, 366/329.1, 330.1, 330.2, 330.3, 330.4, 330.5, 366/341-343, 349; D8/1, 16, 20, 9; D9/447

See application file for complete search history.

(56) **References Cited**

**U.S. PATENT DOCUMENTS**

2,702,571	A	2/1955	Murray	146/68
D181,373	S	11/1957	Schmidt	D7/412
2,897,862	A	8/1959	Malz et al.	241/199.12
3,036,614	A	5/1962	Knapp	241/292.1
3,333,831	A	8/1967	Chapman	366/129
3,368,800	A	2/1968	William	241/282.2
D268,641	S	* 4/1983	Bonforte	D15/17

(Continued)

**FOREIGN PATENT DOCUMENTS**

WO WO 2004103538 A2 \* 12/2004

**OTHER PUBLICATIONS**

Brochure "The World's Best Blender is . . .", K-Tec, Lindon, Utah, 4 pages, (undated).  
Brochure excerpt "Hamilton Beach", Hamilton Beach Commercial, Washington, North Carolina, 4 pages, (Aug. 1998).  
Brochure "vita-prep™ The Professional Chef's Power Tool", Vita-Mix Corporation, Cleveland, Ohio, 4 pages (May 1998).  
Brochure excerpt "Vita-Mix® Two-Speed Drink Machine™ The World's Best Blender Does it All!", Vita-Mix Corporation, Cleveland, Ohio, 1 page (undated).  
Brochure "What more can the world's best blender offer? More quiet.", Vita-Mix Corporation, Cleveland, Ohio, 4 pages, (Apr. 1998).  
Brochure excerpt "Get Trim & Fit Fast", Vita-Mix Corporation, Cleveland, Ohio, 7 pages, (Jan. 1999).  
Two sheets of prior art drawings filed with U.S. Appl. No. 10/847,157 on May 17, 2004.  
Two sheets of prior art drawings filed with U.S. Appl. No. 10/763,964 on Jan. 23, 2004.  
Two sheets of prior art drawings filed with U.S. Appl. No. 29/205,785 on May 19, 2005.

*Primary Examiner*—Cathron C. Brooks  
*Assistant Examiner*—Ricky Pham  
(74) *Attorney, Agent, or Firm*—Renner, Kenner, Greive, Bobak, Taylor & Weber

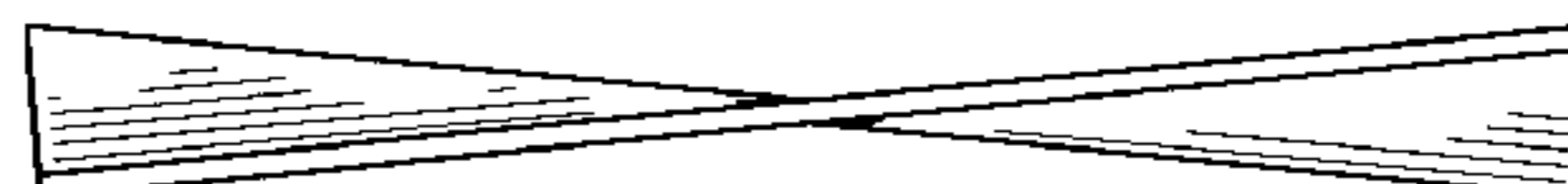
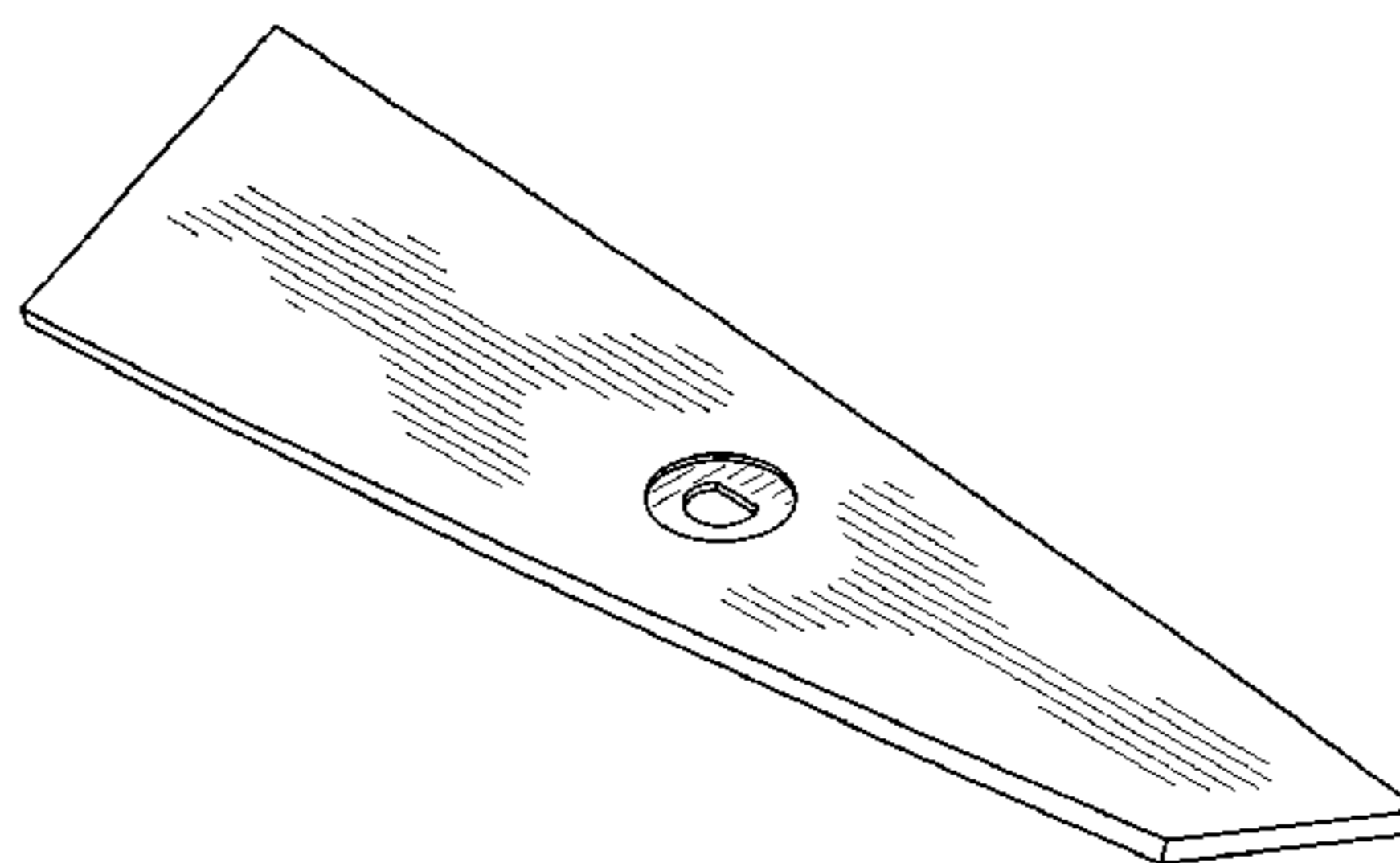
(57) **CLAIM**

The ornamental design for a blender blade, as shown and described.

**DESCRIPTION**

FIG. 1 is a top, front, right side perspective view of a blender blade showing our new design;  
FIG. 2 is a bottom, front, right side perspective view thereof;  
FIG. 3 is a top plan view thereof;  
FIG. 4 is a front elevational view thereof;  
FIG. 5 is a bottom plan view thereof;  
FIG. 6 is a left side elevational view thereof;  
FIG. 7 is a right side elevational view thereof; and,  
FIG. 8 is a rear elevational view thereof.

**1 Claim, 2 Drawing Sheets**



# US D528,859 S

Page 2

---

## U.S. PATENT DOCUMENTS

5,599,103	A	*	2/1997	Linscott	.....	366/343			
5,647,546	A	*	7/1997	Sinovas et al.	.....	241/292.1			
5,655,834	A		8/1997	Dickson	.....	366/205			
D389,382	S	*	1/1998	Houle	.....	D8/8			
D433,282	S		11/2000	Bohannon, Jr. et al.	.....	D7/412			
D435,192	S		12/2000	Bohannon, Jr. et al.	.....	D7/413			
6,481,655	B1		11/2002	Feigel, Jr.	.....	241/294			
D488,347	S		4/2004	Boozer et al.	.....	D7/412			
							6,805,481	B1	* 10/2004 Kumar et al. .... 366/314
							6,834,818	B1	* 12/2004 Lee ..... 241/292.1
							D502,185	S	* 2/2005 Byrne ..... D15/17
							6,960,014	B1	* 11/2005 Kongstad ..... 366/147
							2002/0139884	A1	* 10/2002 Williams et al. .... 241/282.1
							2005/0036401	A1	* 2/2005 Dickson ..... 366/205
							2005/0162973	A1	* 7/2005 Katz et al. .... 366/343

\* cited by examiner

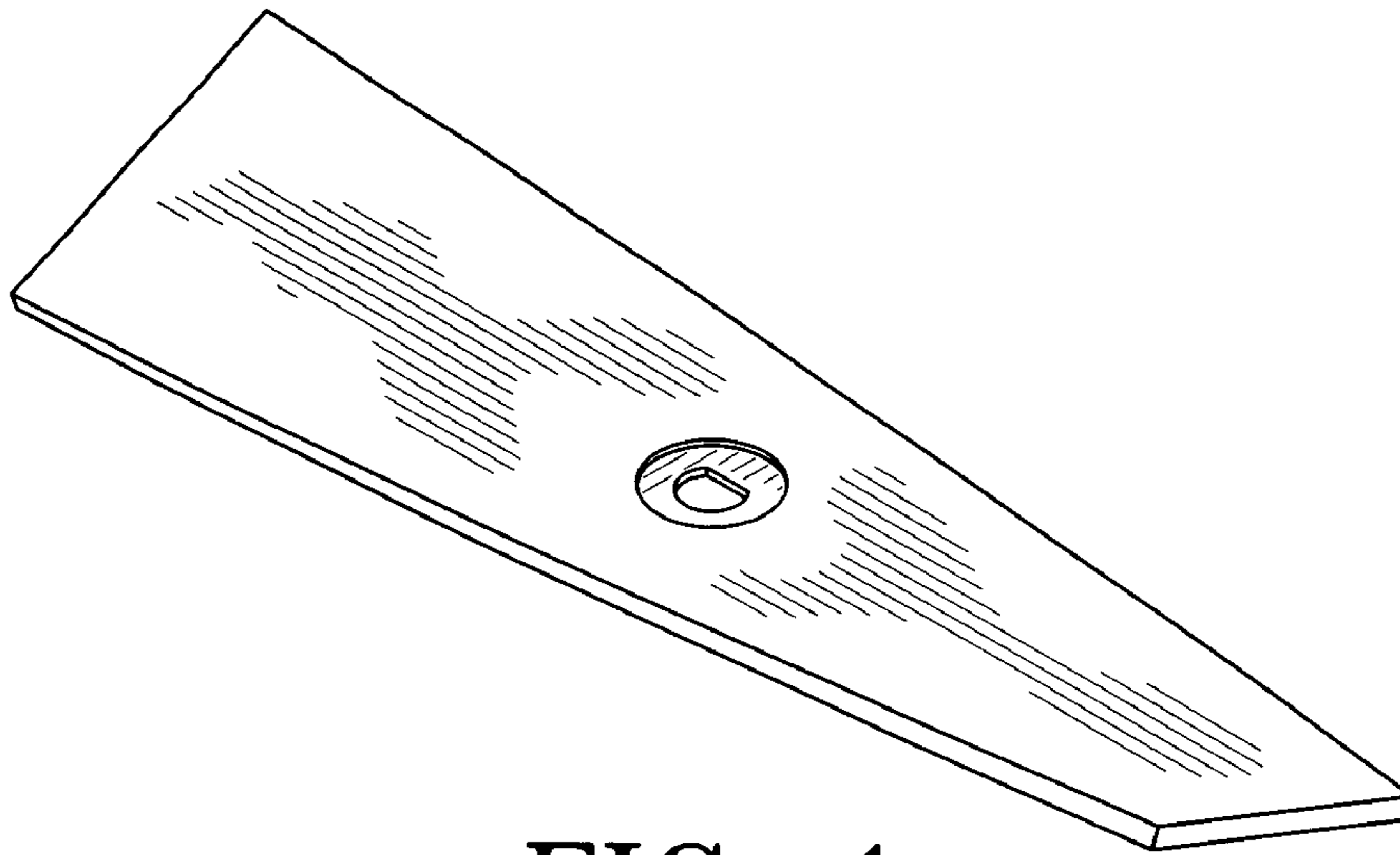


FIG-1

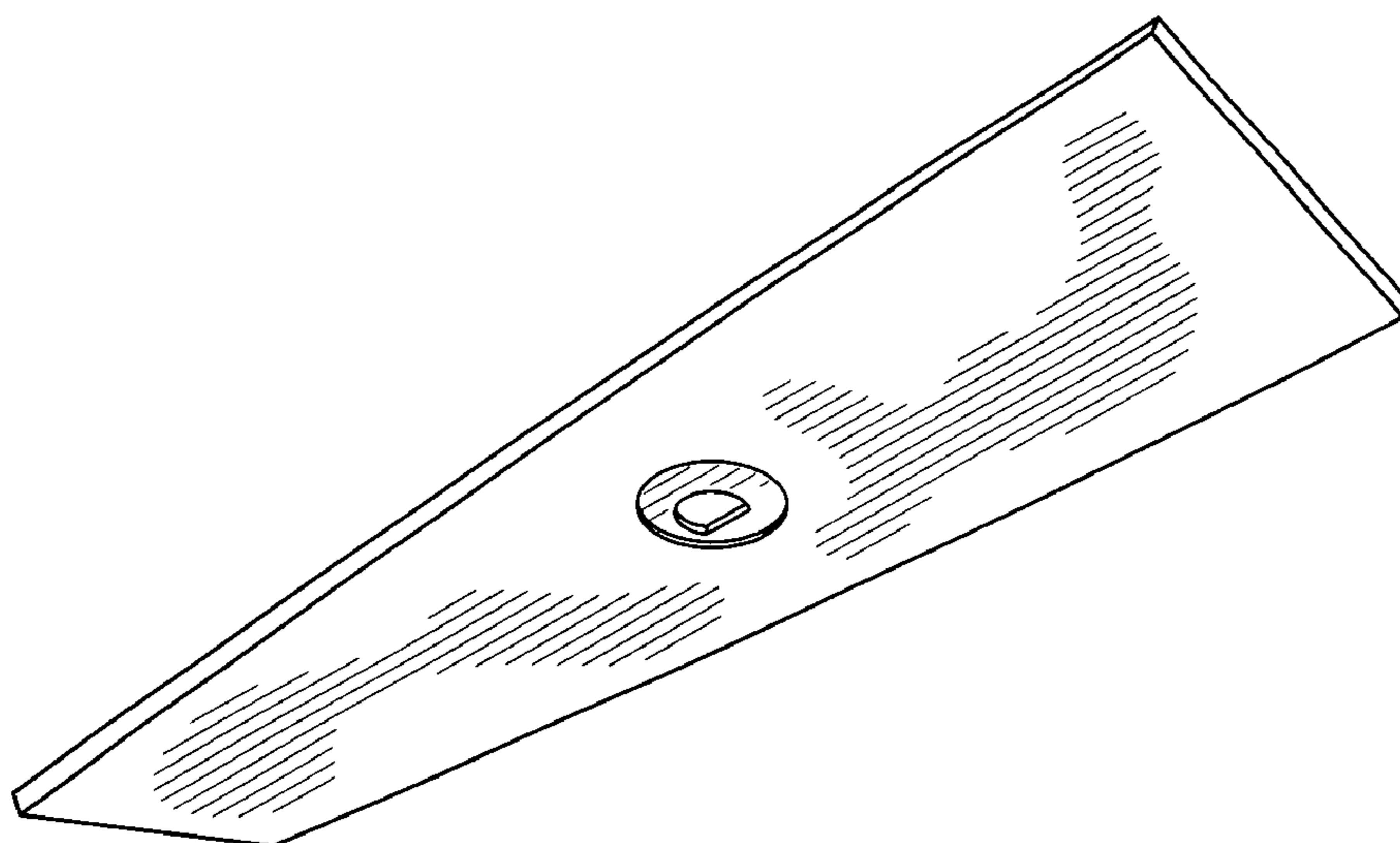


FIG-2

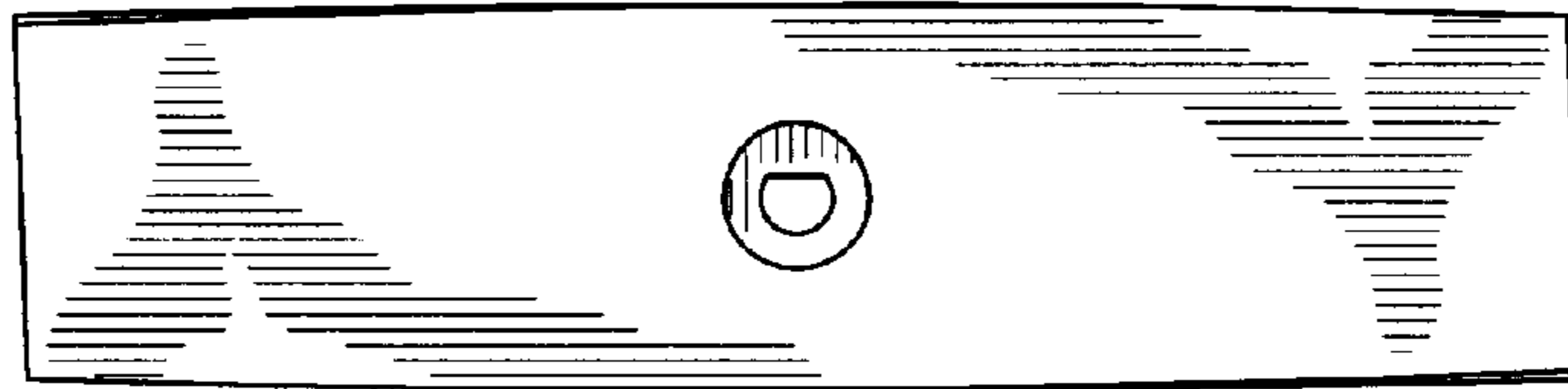


FIG-3

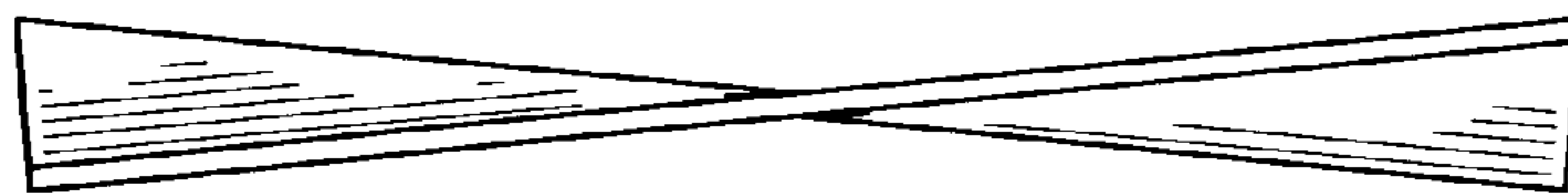


FIG-4

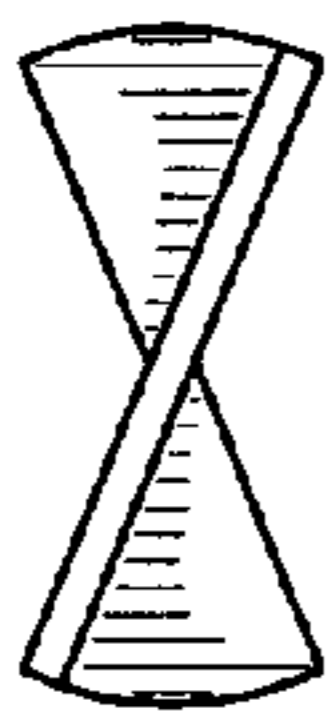


FIG-6

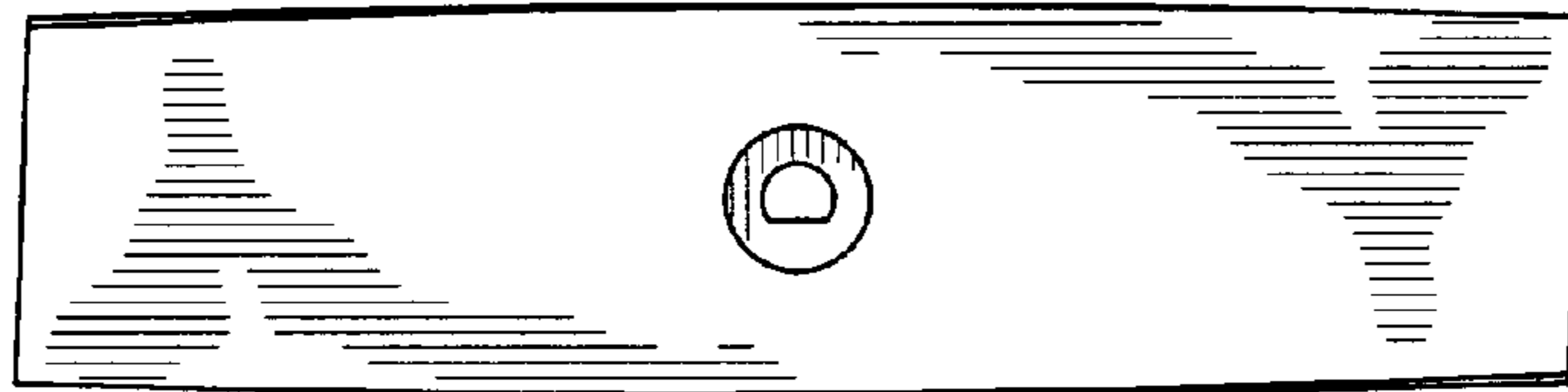


FIG-5

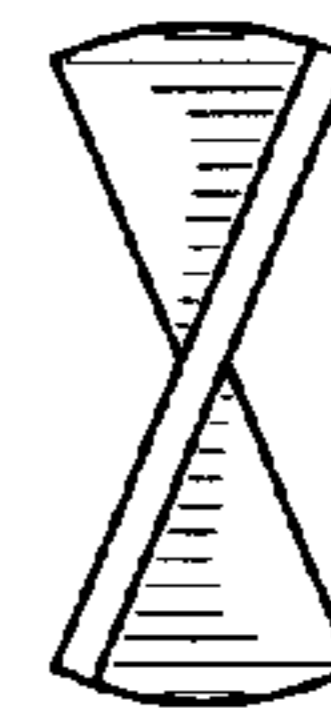


FIG-7



FIG-8