

US00D528854S

(12) **United States Design Patent**
Upah et al.

(10) **Patent No.:** **US D528,854 S**
(45) **Date of Patent:** **** Sep. 26, 2006**

(54) **APPARATUS FOR MAKING, STORING AND DISPENSING SHAVED OR CRUSHED ICE**

(76) Inventors: **Tad D. Upah**, 607 Reynolds Rd., Marshalltown, IA (US) 50158; **Kevin Kinch**, 742 NE. 8th St., Ankeny, IA (US) 50021

(**) **Term:** **14 Years**

(21) **Appl. No.:** **29/253,919**

(22) **Filed:** **Feb. 15, 2006**

Related U.S. Application Data

(62) Division of application No. 09/223,310, filed on Feb. 11, 2005.

(51) **LOC (8) Cl.** **07-02**

(52) **U.S. Cl.** **D7/374**

(58) **Field of Classification Search** D7/372-376, D7/384, 309-310; 241/100, 249; 99/304, 99/306, 268, 586; D9/640

See application file for complete search history.

(56) **References Cited**

U.S. PATENT DOCUMENTS

D195,312 S 5/1963 McCollum et al. D9/640
D429,597 S * 8/2000 Lee D7/374

D462,568 S * 9/2002 Li D7/374
D463,951 S 10/2002 Wade D7/374
D469,302 S 1/2003 Li D7/374
D471,059 S * 3/2003 Chuang D7/374
D483,985 S 12/2003 Huang D7/374

* cited by examiner

Primary Examiner—Catherine R. Oliver

(74) *Attorney, Agent, or Firm*—McKee, Voorhees & Sease, P.L.C.

(57) **CLAIM**

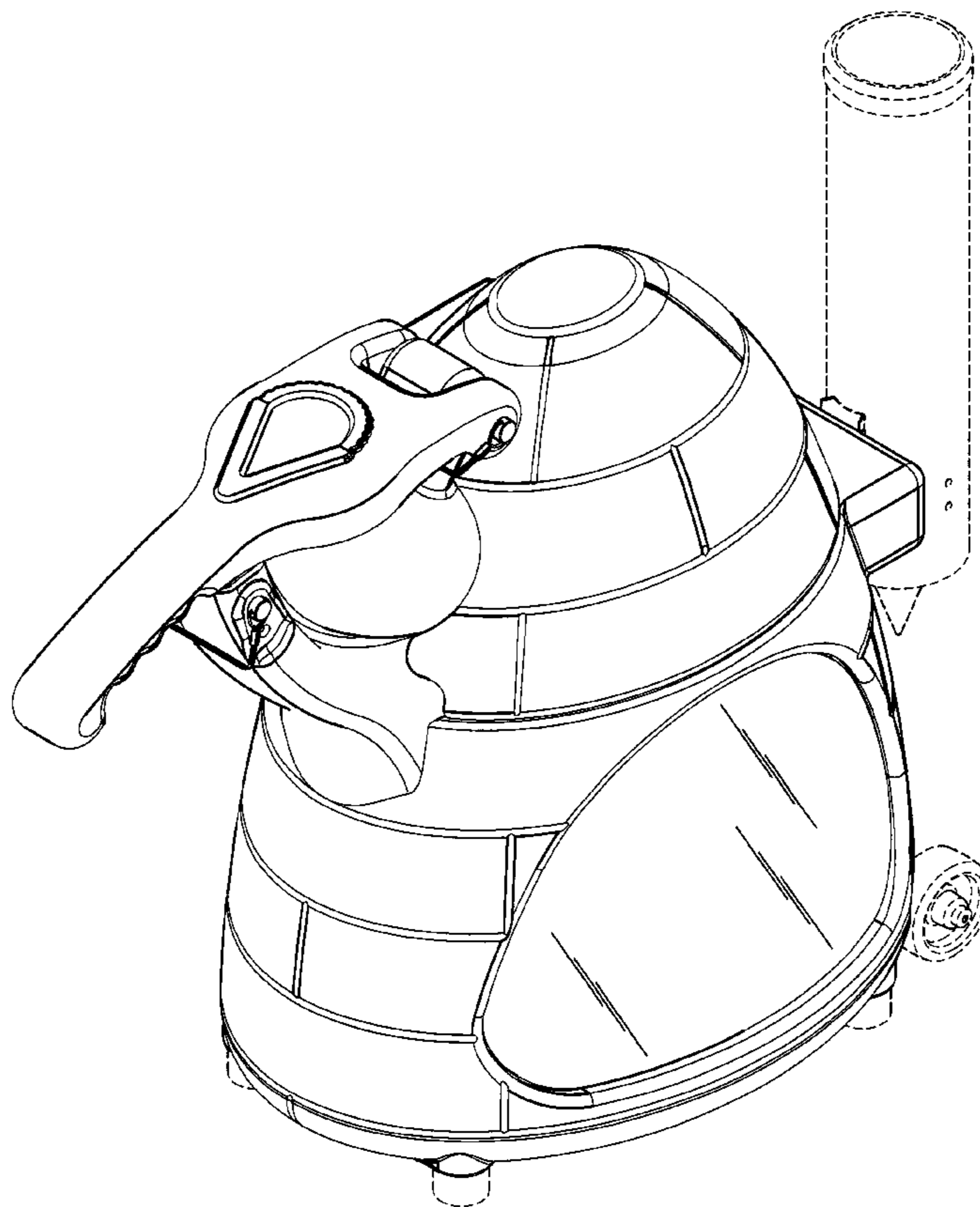
We claim the ornamental design for an apparatus for making, storing and dispensing shaved or crushed ice, or similar article substantially as shown and described.

DESCRIPTION

FIG. 1 is a front perspective view of the apparatus for making, storing and dispensing of shaved or crushed ice; FIG. 2 is a front elevation view thereof; FIG. 3 is a top plan view thereof; FIG. 4 is a left side view thereof; FIG. 5 is a bottom plan view thereof; FIG. 6 is a right side view; and, FIG. 7 is a rear elevation view.

In all the drawings, structure shown in ghost lines illustrate exemplary functional or optional structure and do not form a part of the claimed invention.

1 Claim, 7 Drawing Sheets



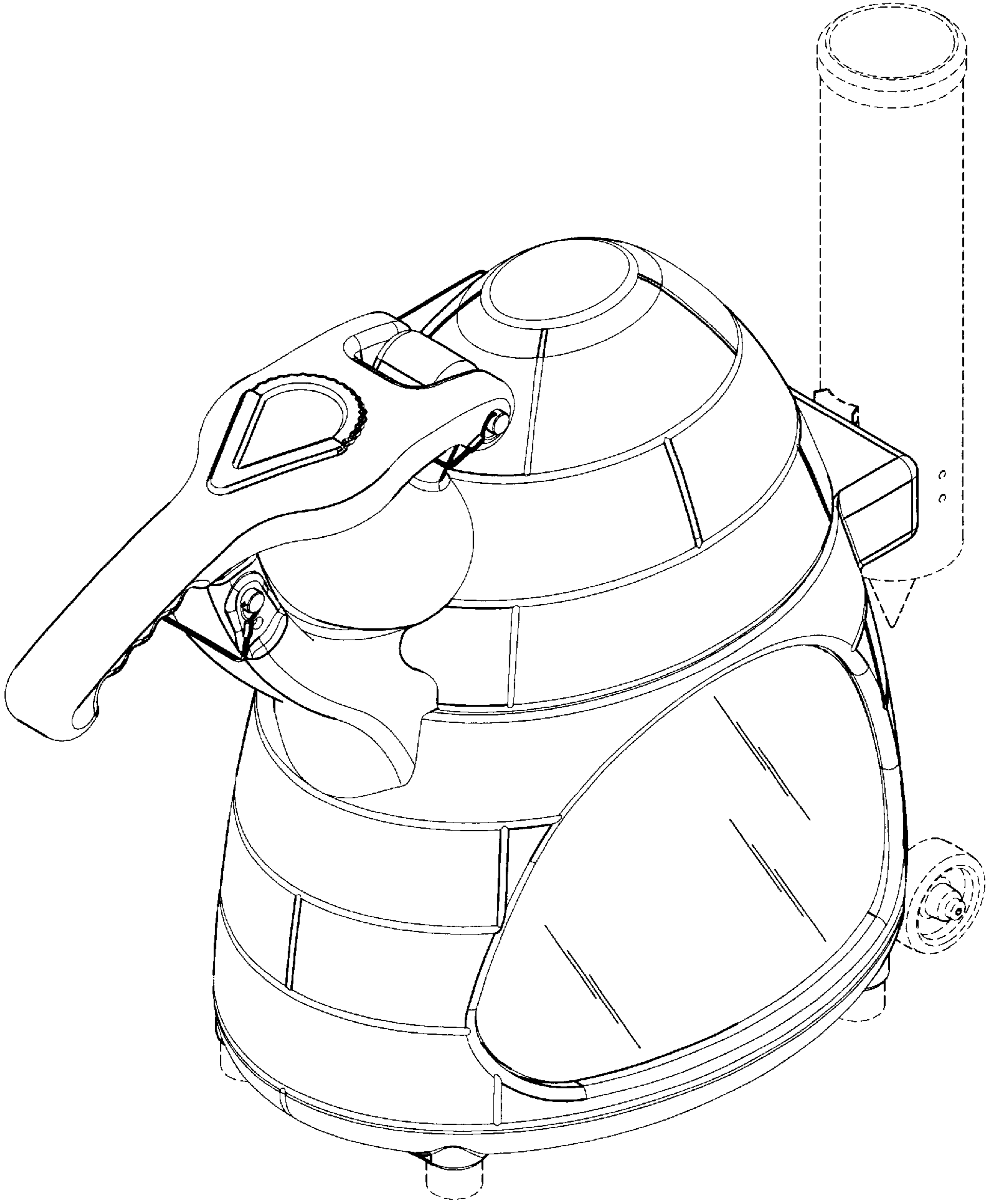


Fig. 1

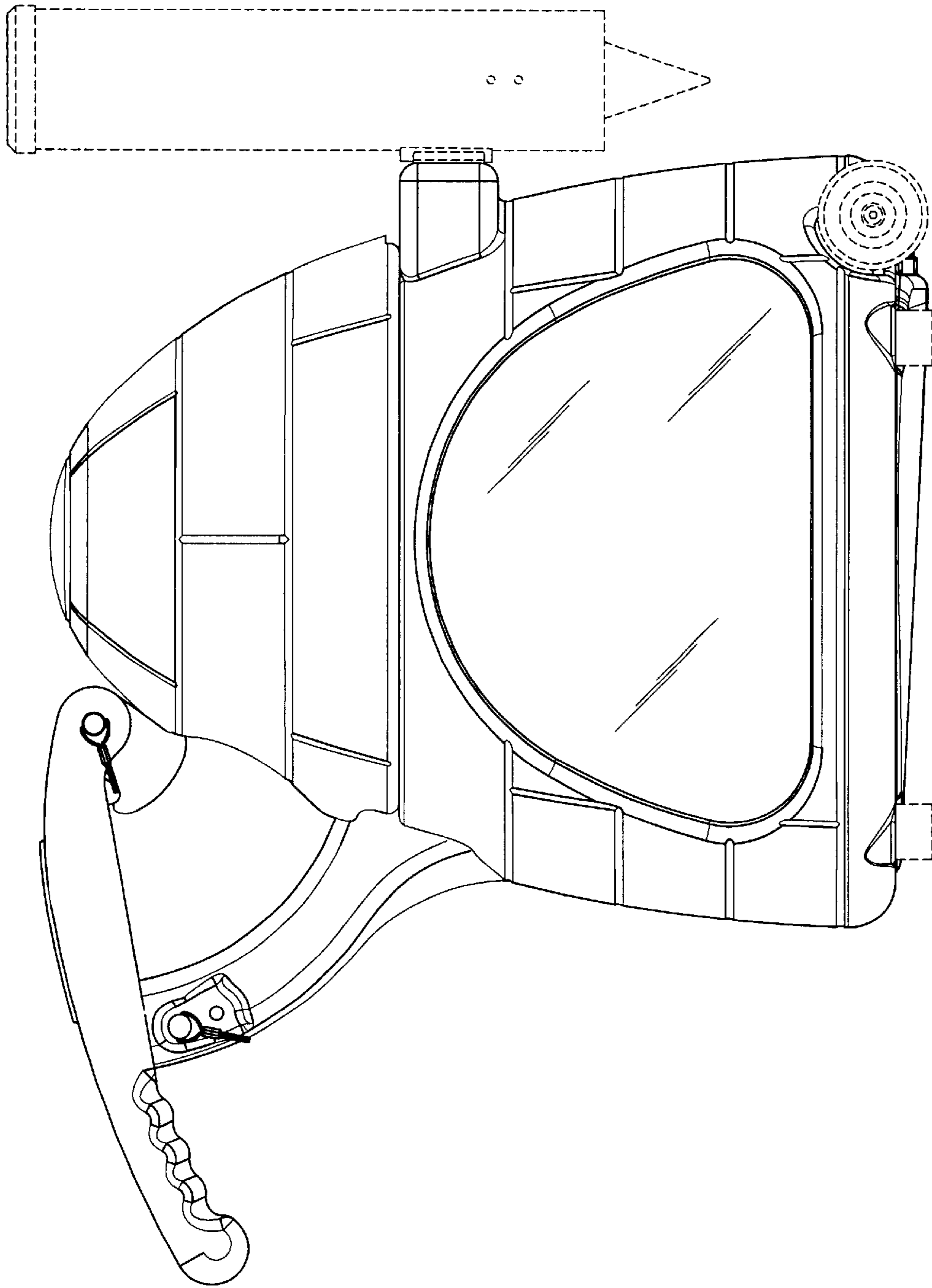


Fig. 2

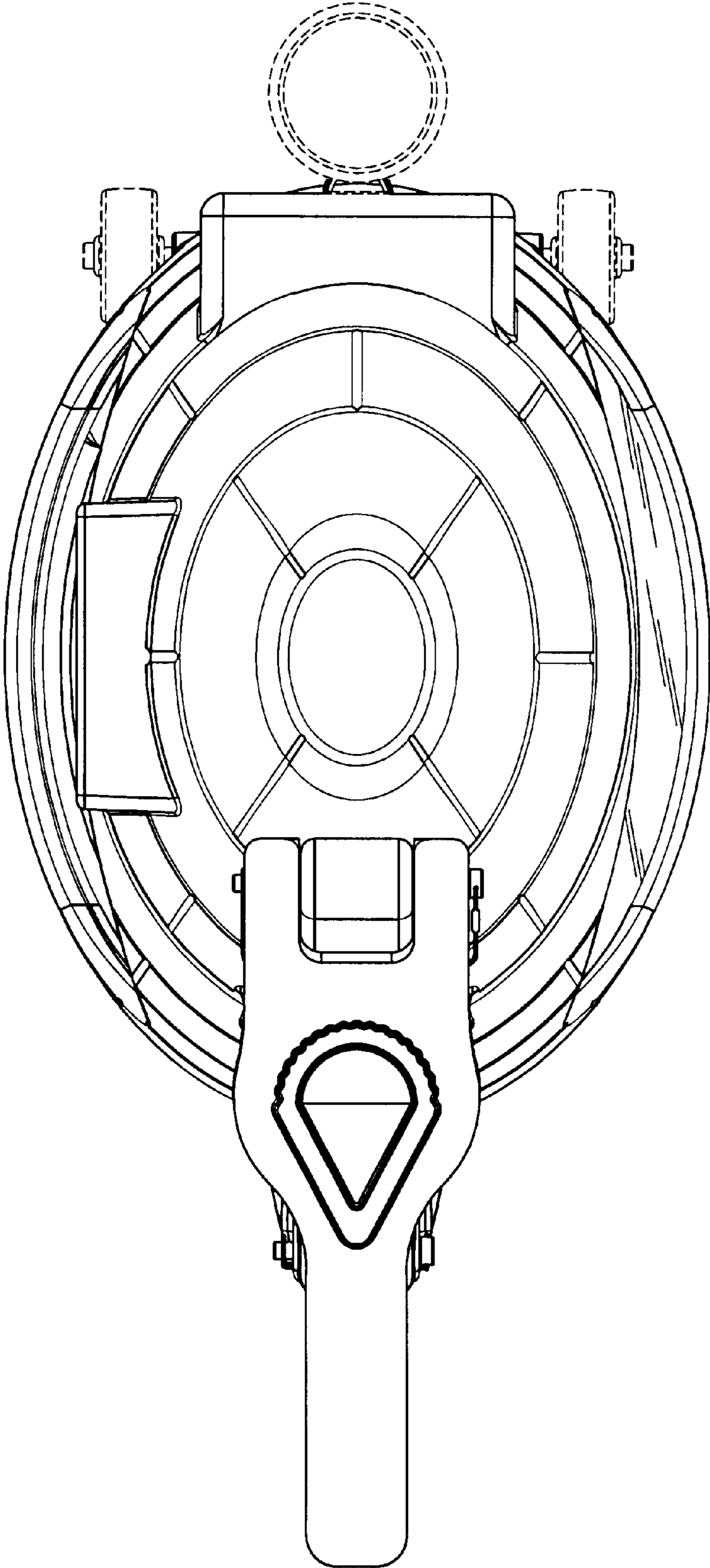


Fig. 3

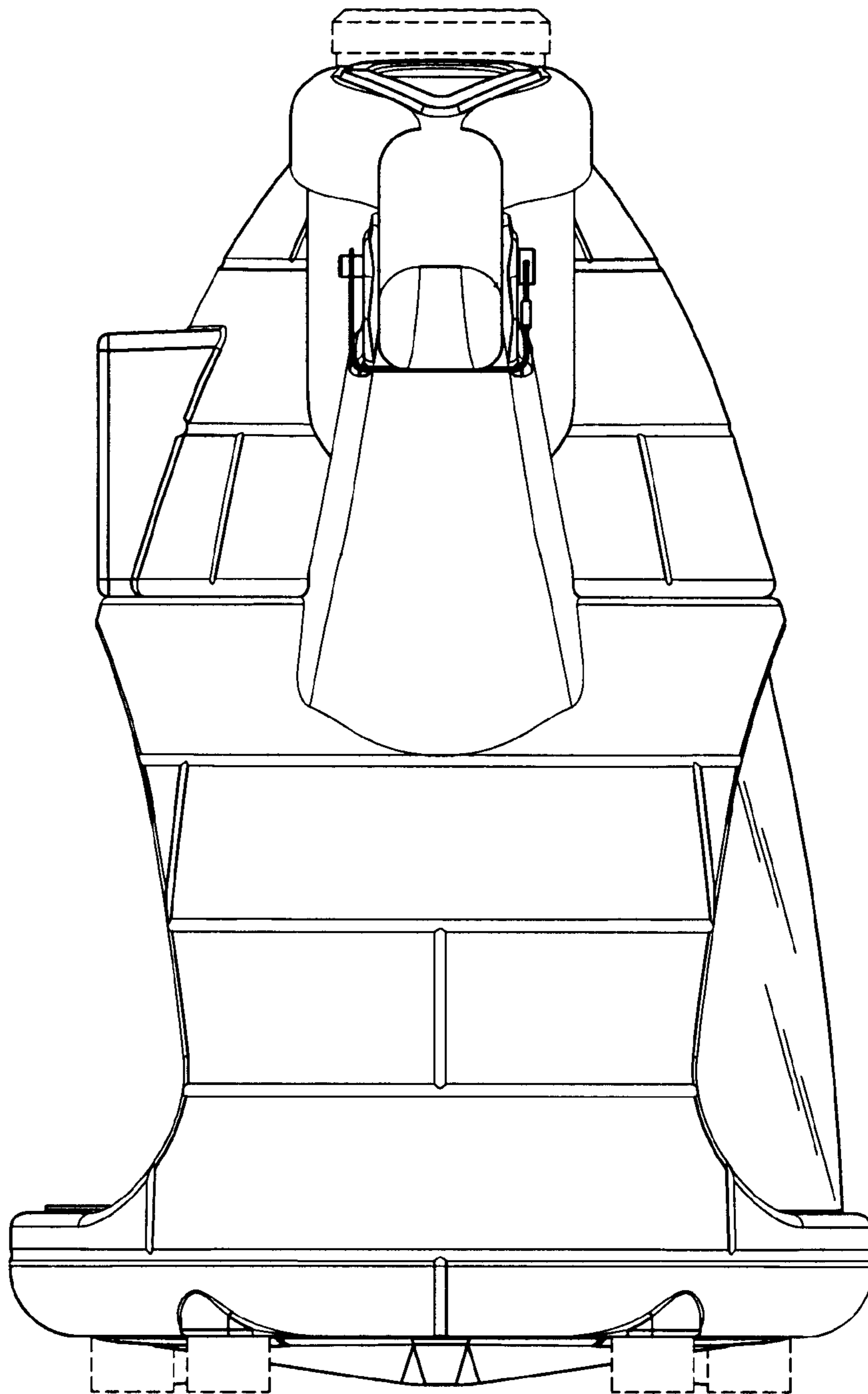


Fig. 4

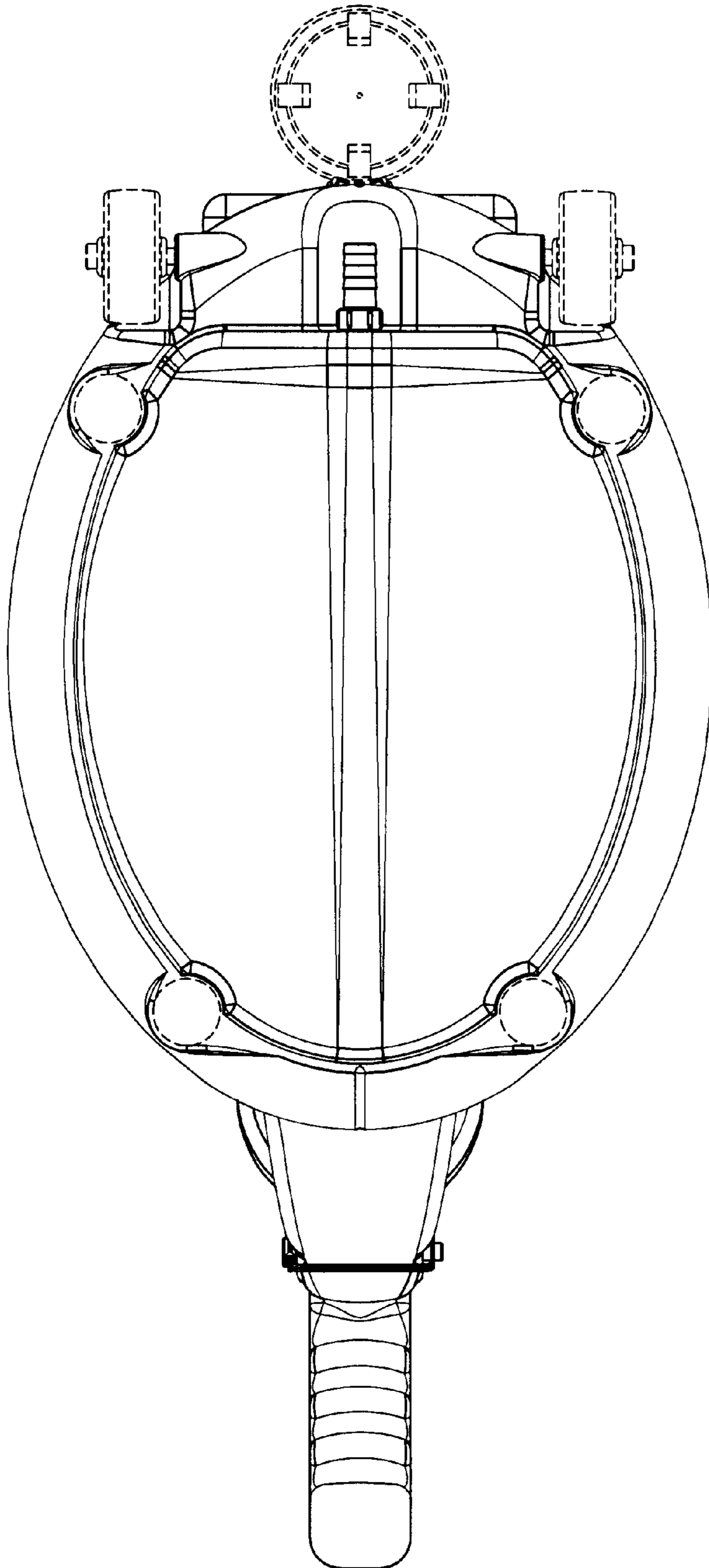


Fig. 5

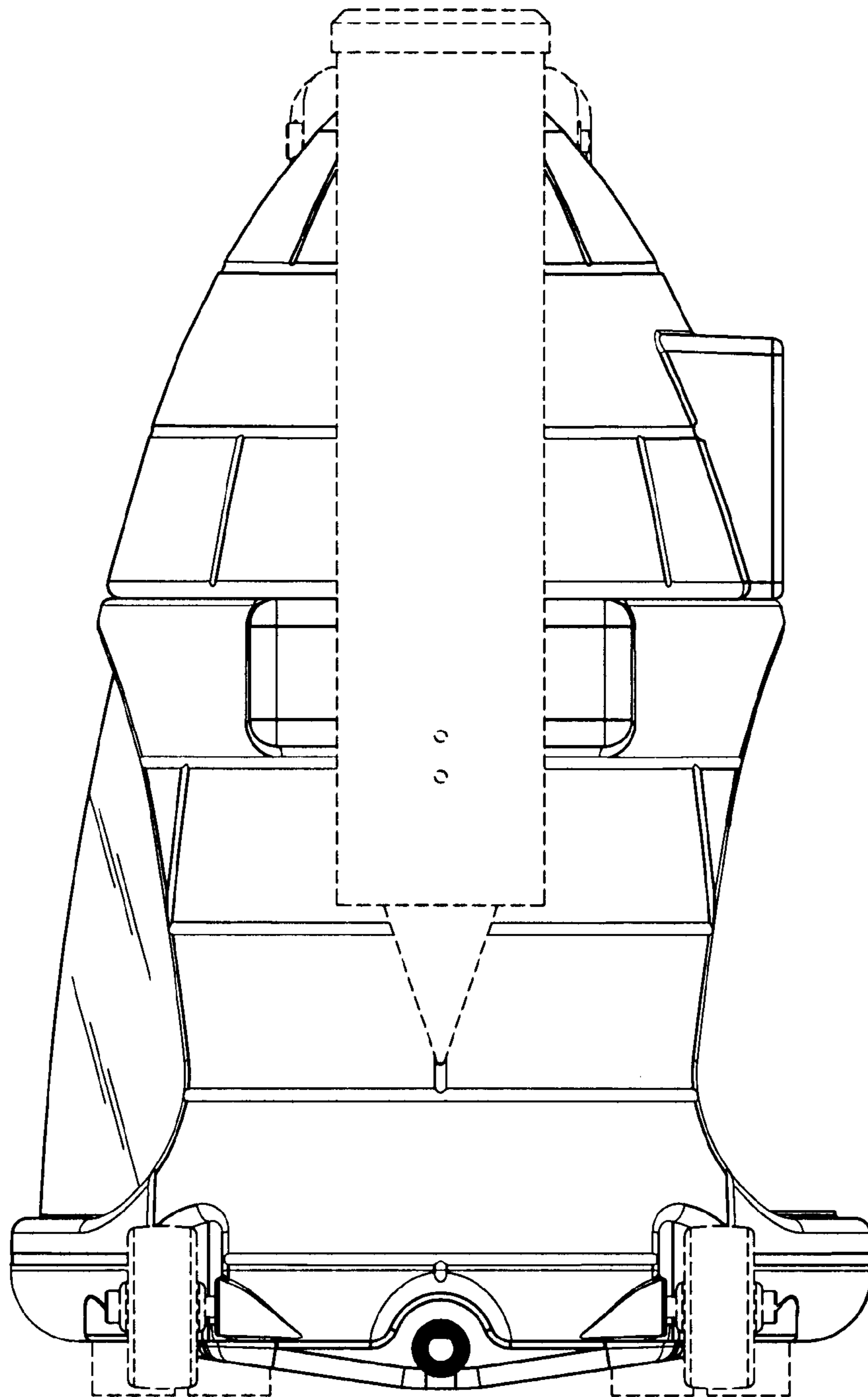


Fig. 6

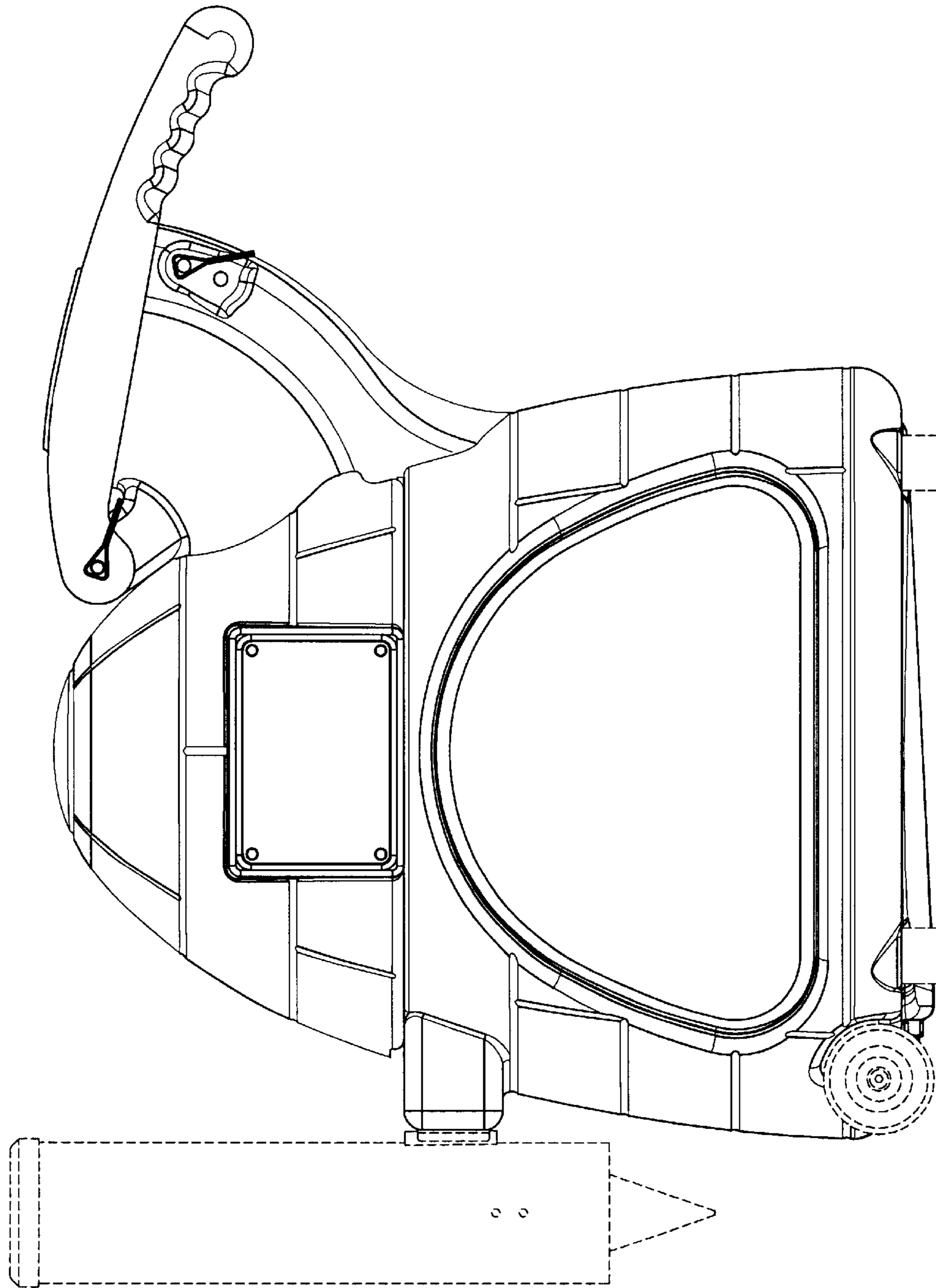


Fig. 7