

US00D528853S

(12) **United States Design Patent**
Lloyd

(10) **Patent No.:** **US D528,853 S**

(45) **Date of Patent:** **** Sep. 26, 2006**

(54) **DEEP FRYER**

(75) Inventor: **James Taylor Lloyd**, Old Greenwich,
CT (US)

(73) Assignee: **Conair Corporation**, Stamford, CT
(US)

(**) Term: **14 Years**

(21) Appl. No.: **29/221,795**

(22) Filed: **Jan. 20, 2005**

(51) **LOC (8) Cl.** **07-02**

(52) **U.S. Cl.** **D7/354**

(58) **Field of Classification Search** D7/323,
D7/354-361; 99/331, 403, 410, 411, 413;
219/429, 432, 438, 440

See application file for complete search history.

D414,072 S	*	9/1999	Powell	D7/354
D422,447 S		4/2000	Josancy		
D423,277 S	*	4/2000	Josancy	D7/354
D427,481 S		7/2000	De'Longi		
D427,841 S		7/2000	De'Longi		
D436,795 S		1/2001	Martres et al.		
D446,680 S	*	8/2001	Falt et al.	D7/354
D463,711 S	*	10/2002	Josancy	D7/354
D464,526 S		10/2002	Brown		
D474,937 S	*	5/2003	Josancy	D7/354

* cited by examiner

Primary Examiner—Caron D. Veynar

Assistant Examiner—Ricky Pham

(74) *Attorney, Agent, or Firm*—Lawrence Cruz; Steven A. Garzer

(57) **CLAIM**

The ornamental design for a deep fryer, as shown and described.

(56) **References Cited**

U.S. PATENT DOCUMENTS

D279,854 S	*	7/1985	Miller et al.	D7/361
D305,971 S	*	2/1990	Janssens	D7/360
D308,000 S		5/1990	Slany et al.		
D314,306 S	*	2/1991	Slany et al.	D7/360
D316,650 S	*	5/1991	Slany et al.	D7/360
D345,280 S	*	3/1994	Powell	D7/354
D365,723 S	*	1/1996	Powell	D7/354
D374,588 S	*	10/1996	Federico	D7/354
D376,724 S		12/1996	Mendelson		
D387,243 S	*	12/1997	Bumoux	D7/354
D395,786 S	*	7/1998	Rossi	D7/354
D412,263 S	*	7/1999	Jozancy	D7/354

DESCRIPTION

FIG. 1 is a perspective view of a deep fryer showing our new design;

FIG. 2 is a front view thereof;

FIG. 3 is a rear view thereof;

FIG. 4 is a right side view thereof;

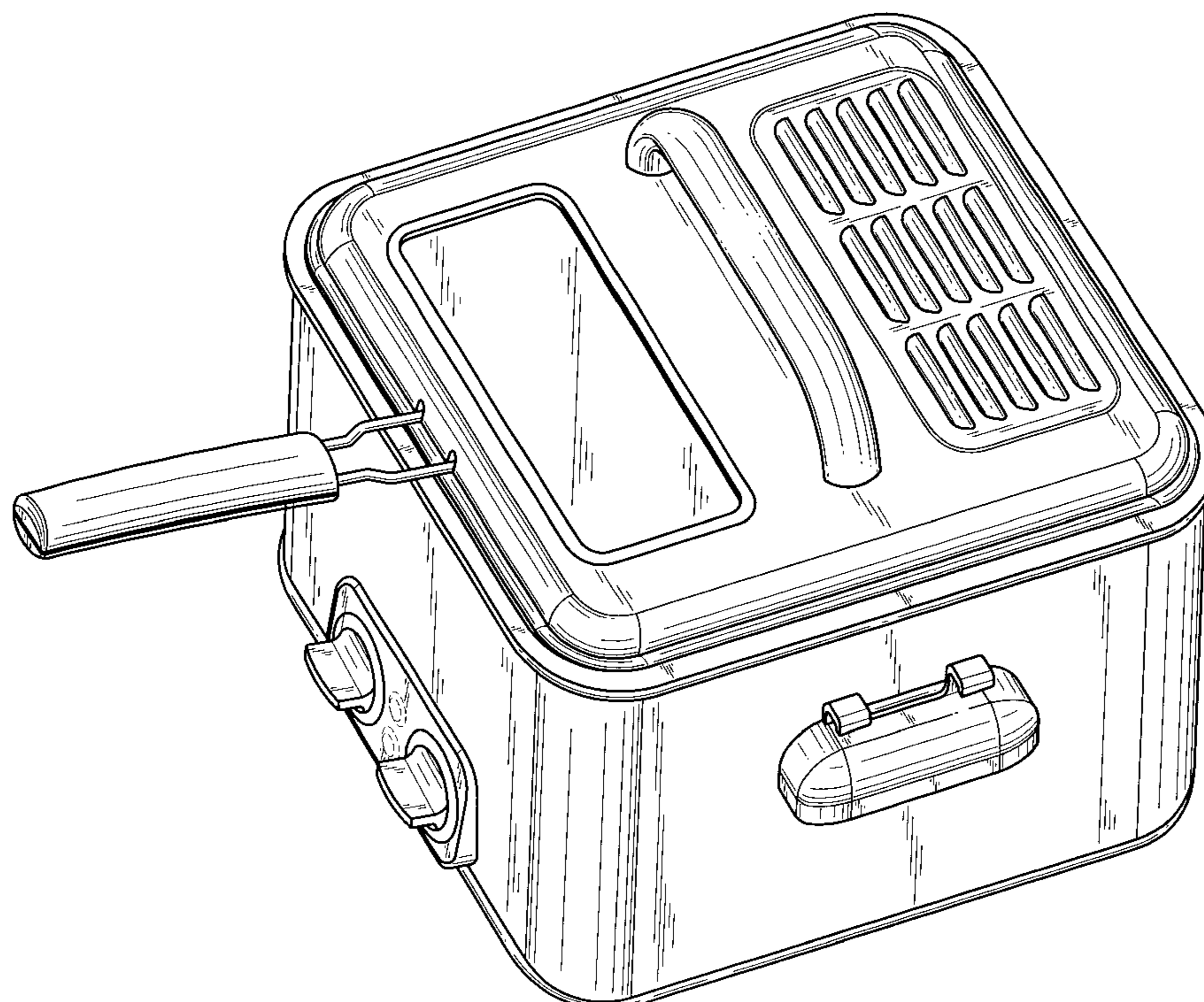
FIG. 5 is a left side view thereof;

FIG. 6 is a top view thereof; and,

FIG. 7 is a bottom view.

The broken lines are shown for illustrative purposes only and form no part of the claimed design.

1 Claim, 6 Drawing Sheets



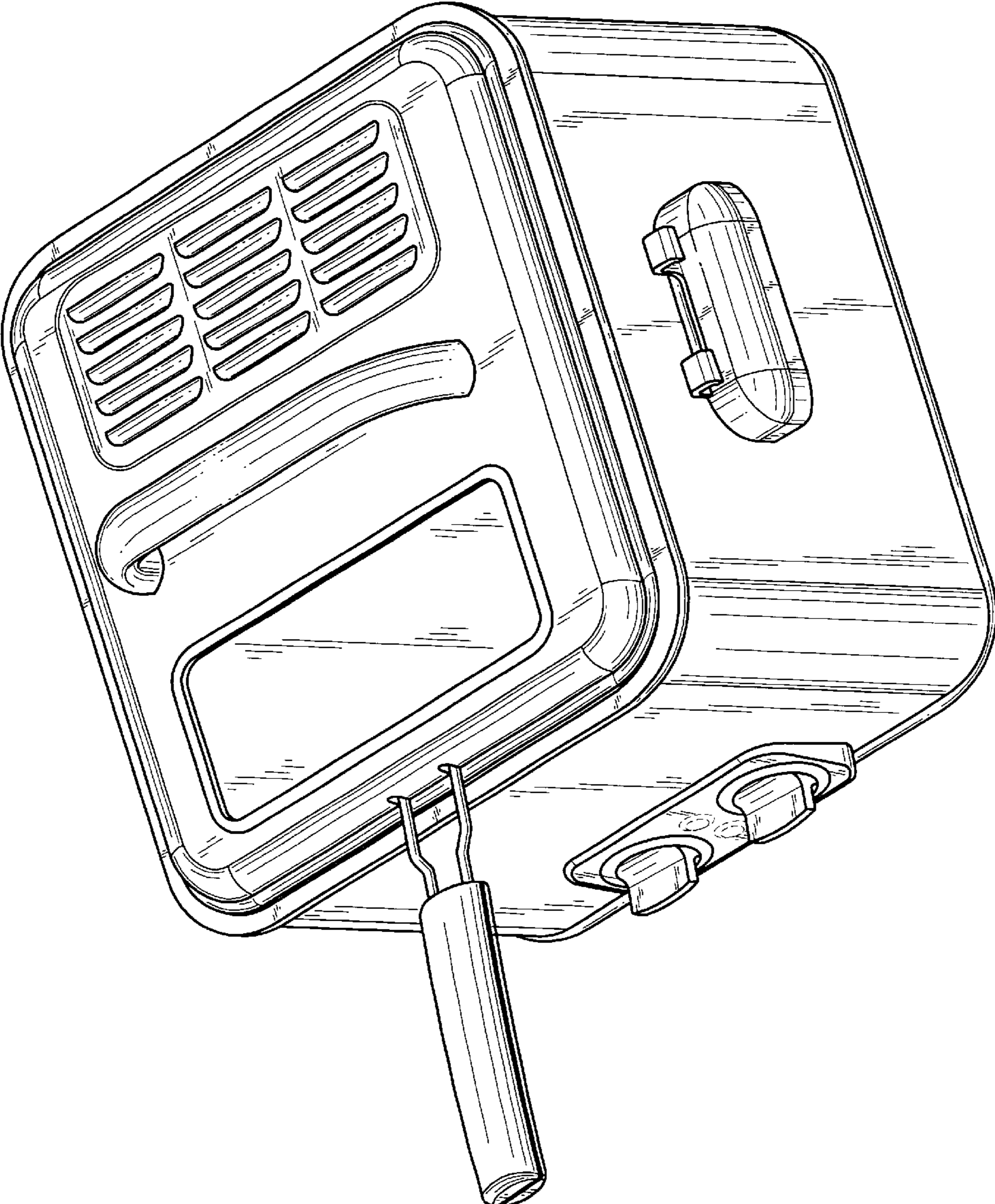


FIG. 1

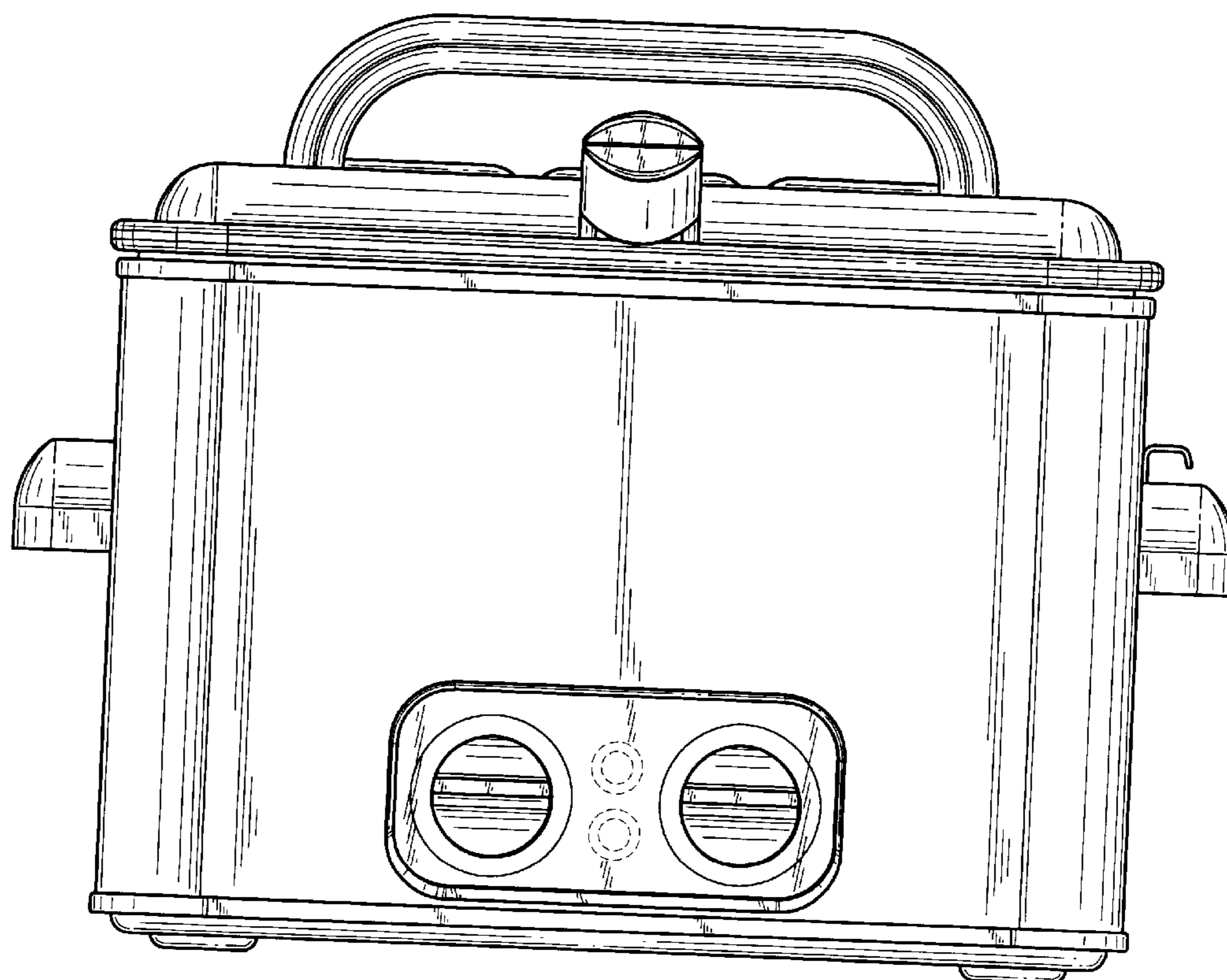


FIG. 2

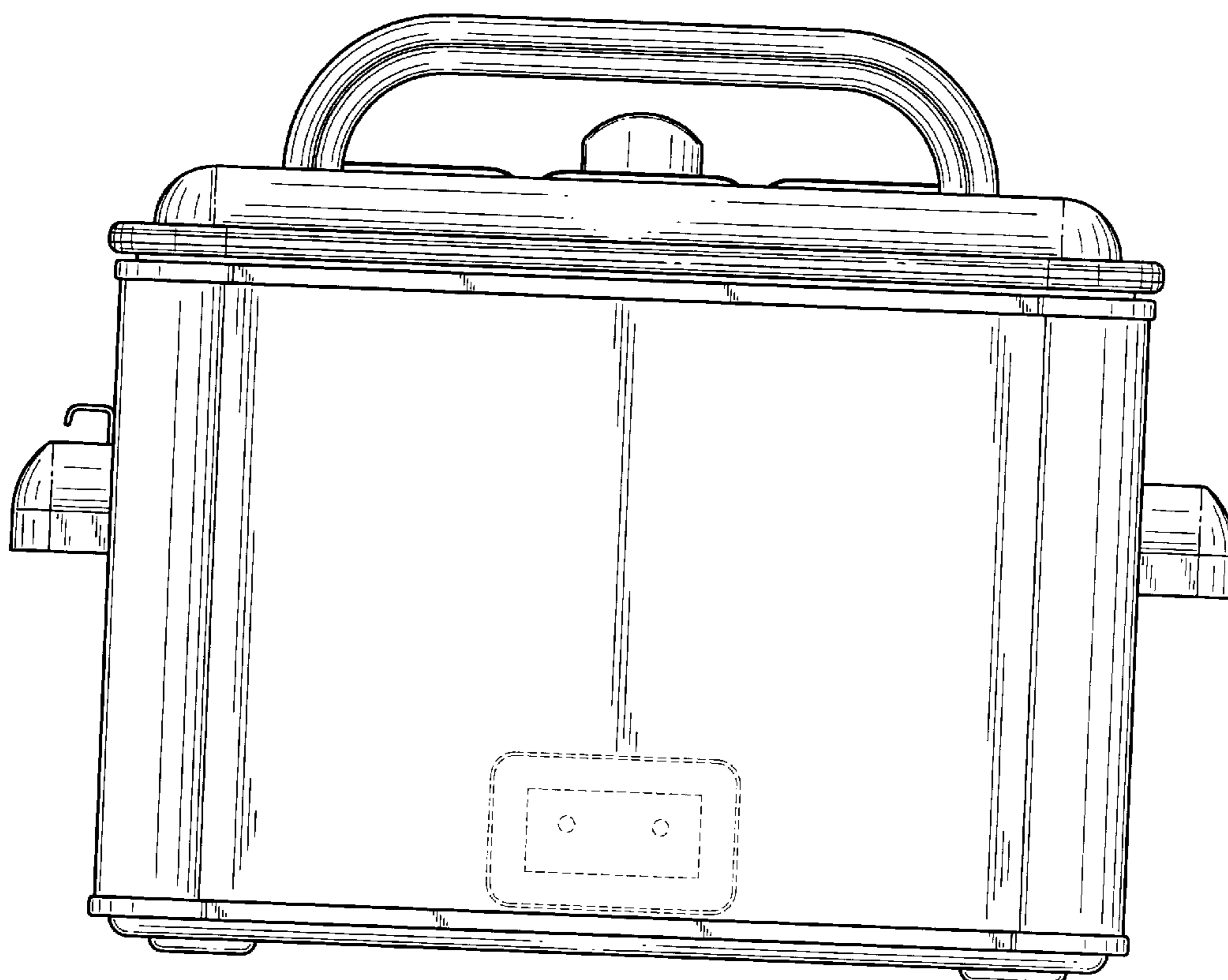


FIG. 3

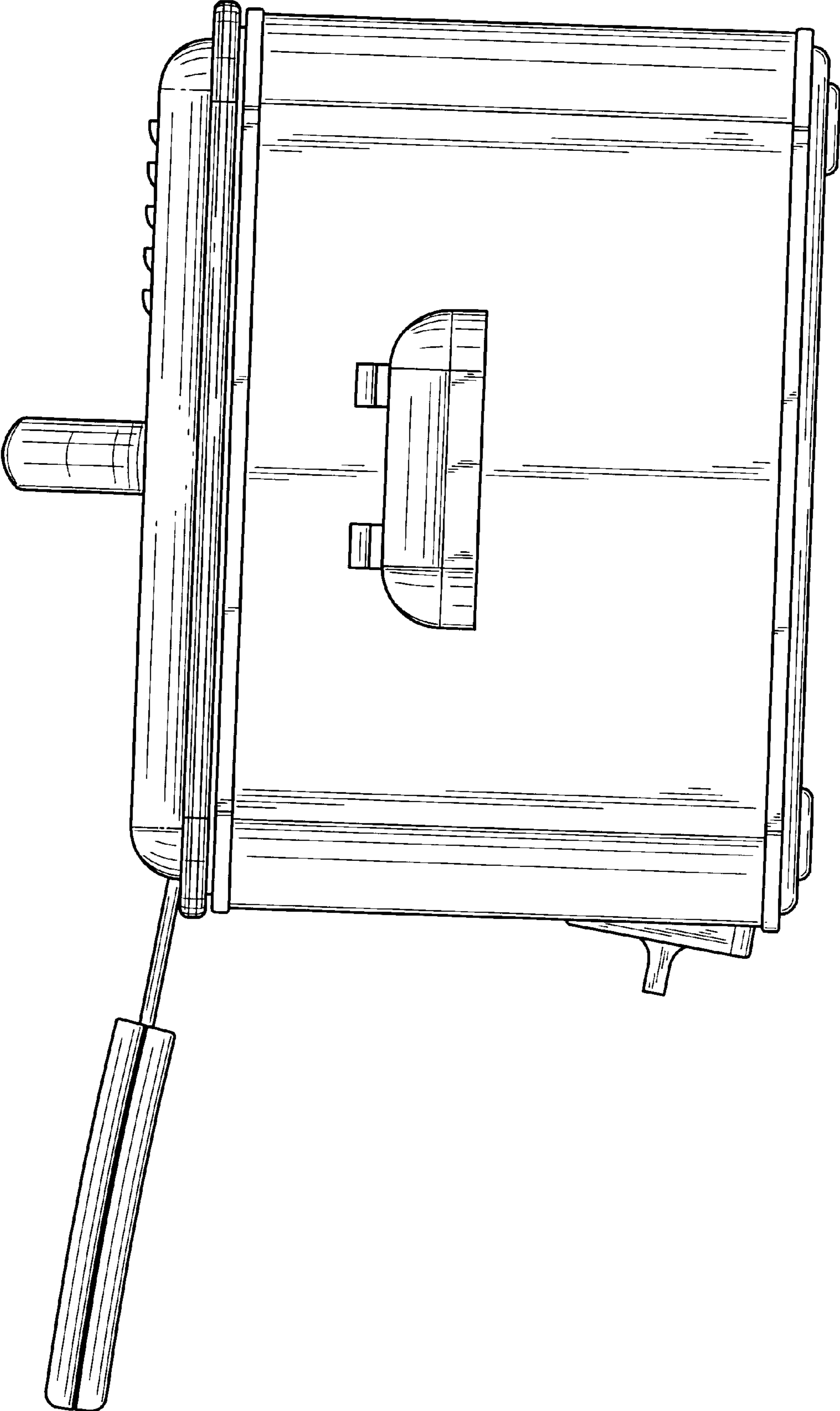


FIG. 4

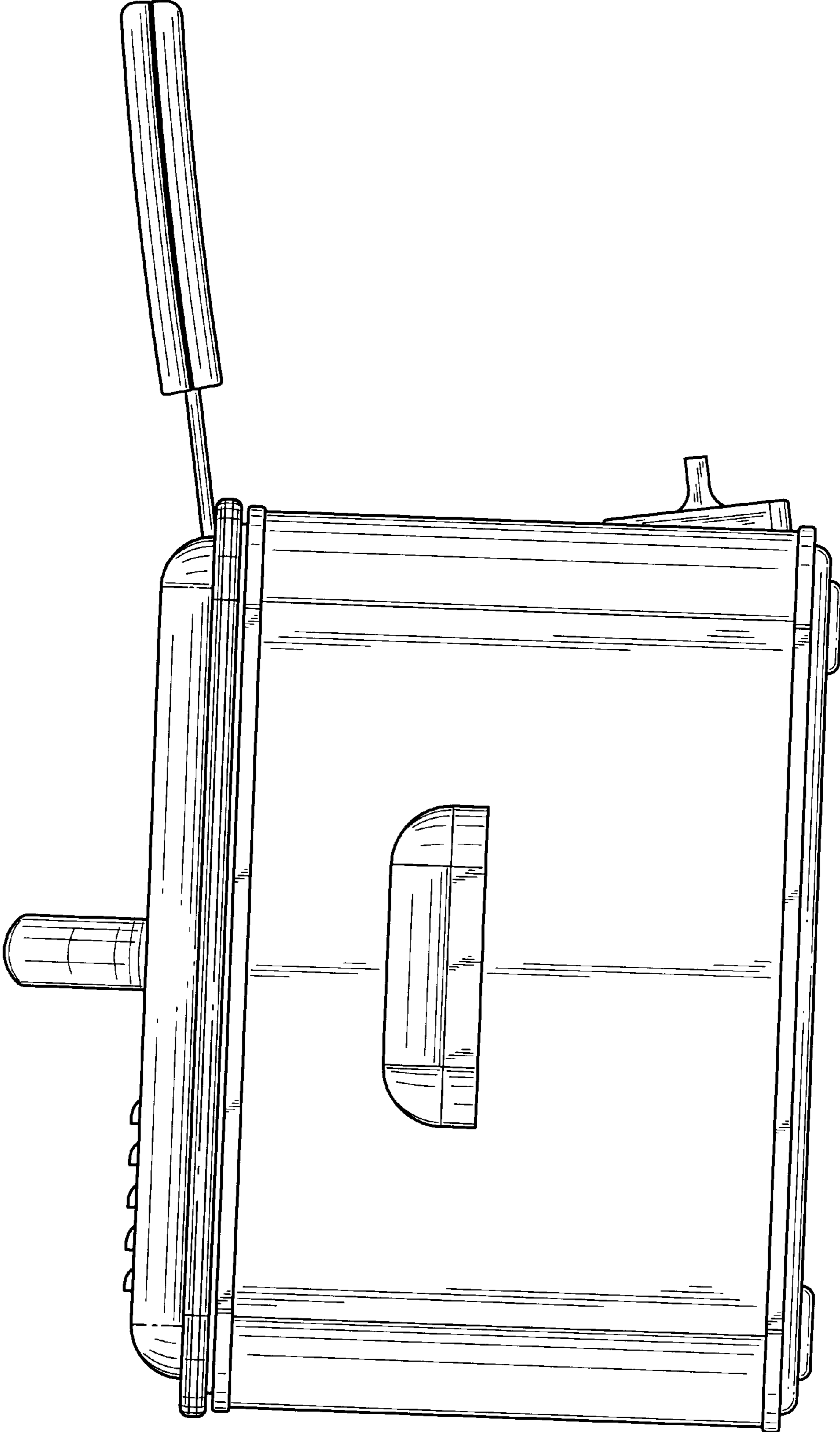


FIG. 5

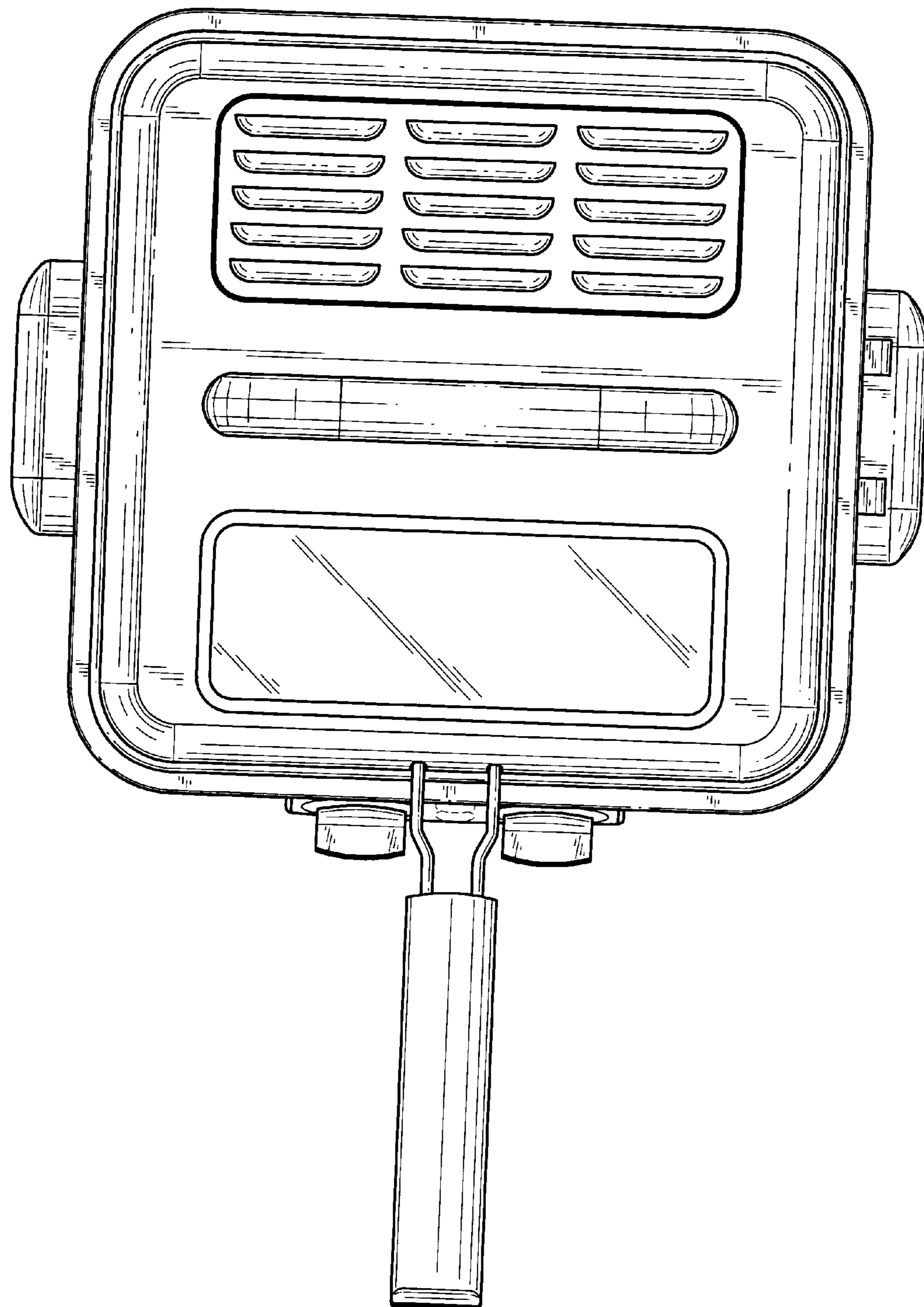


FIG. 6

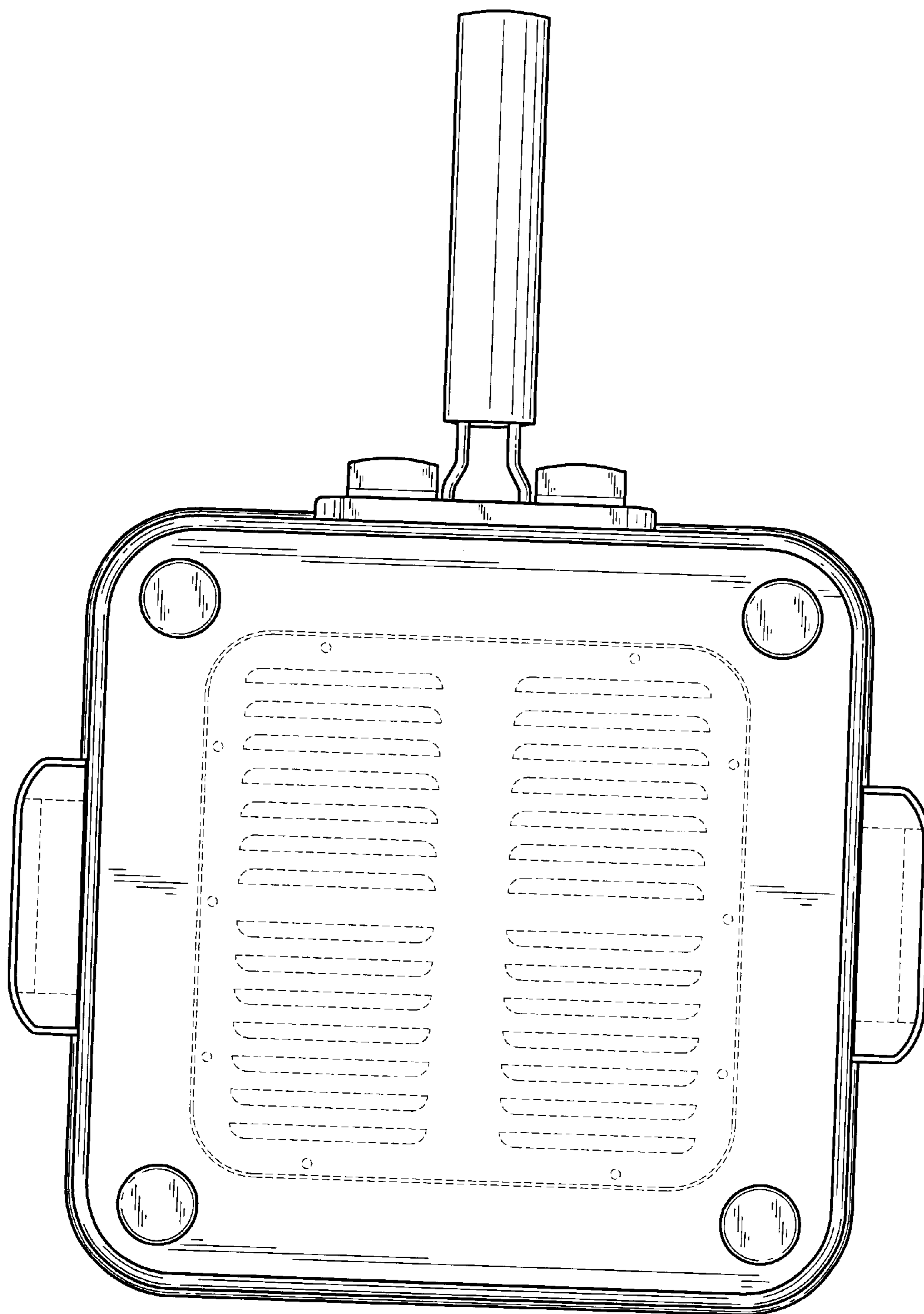


FIG. 7