

US00D528845S

(12) **United States Design Patent**  
**Zimmermann**

(10) **Patent No.:** **US D528,845 S**

(45) **Date of Patent:** **\*\* Sep. 26, 2006**

(54) **COFFEE ESPRESSO MACHINE**

(75) **Inventor:** **Dirk Hagen Zimmermann**, Dusseldorf (DE)

(73) **Assignee:** **WIK Far East, Ltd**, Hong Kong (CN)

(\*\*) **Term:** **14 Years**

(21) **Appl. No.:** **29/226,067**

(22) **Filed:** **Mar. 23, 2005**

(30) **Foreign Application Priority Data**

Sep. 24, 2004 (DE) ..... 4 04 05 486

(51) **LOC (8) Cl.** ..... **07-01**

(52) **U.S. Cl.** ..... **D7/309; D7/311**

(58) **Field of Classification Search** ..... D7/309-311,  
D7/305, 300; 222/146.6, 130, 129.1; 99/275,  
99/289 P, 288, 323.3, 299; D3/201, 212,  
D3/276, 315

See application file for complete search history.

(56) **References Cited**

**U.S. PATENT DOCUMENTS**

|             |   |         |                |        |
|-------------|---|---------|----------------|--------|
| 4,644,856 A | * | 2/1987  | Borgmann       | 99/295 |
| D355,562 S  | * | 2/1995  | DeFelip        | D7/309 |
| D385,455 S  | * | 10/1997 | Cortese        | D7/309 |
| D390,060 S  | * | 2/1998  | Seiffert       | D7/309 |
| D424,361 S  | * | 5/2000  | Kuboyama       | D7/309 |
| D444,986 S  | * | 7/2001  | Smith et al.   | D7/311 |
| D449,198 S  | * | 10/2001 | Cahen          | D7/309 |
| D481,580 S  | * | 11/2003 | Daniels et al. | D7/309 |
| D486,346 S  | * | 2/2004  | Jonsson        | D7/309 |

|            |   |        |                  |        |
|------------|---|--------|------------------|--------|
| D495,189 S | * | 8/2004 | Cahen            | D7/309 |
| D496,553 S | * | 9/2004 | Bodum            | D7/309 |
| D513,572 S | * | 1/2006 | Schaffeld et al. | D7/309 |

\* cited by examiner

*Primary Examiner*—M. N. Pandozzi

(74) *Attorney, Agent, or Firm*—Margaret Polson, Patent Law Offices of Rick Martin, PC

(57) **CLAIM**

The ornamental design for a coffee espresso machine, as shown and described.

**DESCRIPTION**

FIG. 1 is a front side elevation view of my new design for a coffee espresso machine.

FIG. 2 is a back side elevation view of FIG. 1.

FIG. 3 is a left side elevation view of FIG. 1.

FIG. 4 is a right side elevation view of FIG. 1.

FIG. 5 is a top side plan view of FIG. 1.

FIG. 6 is a bottom side plan view of FIG. 1.

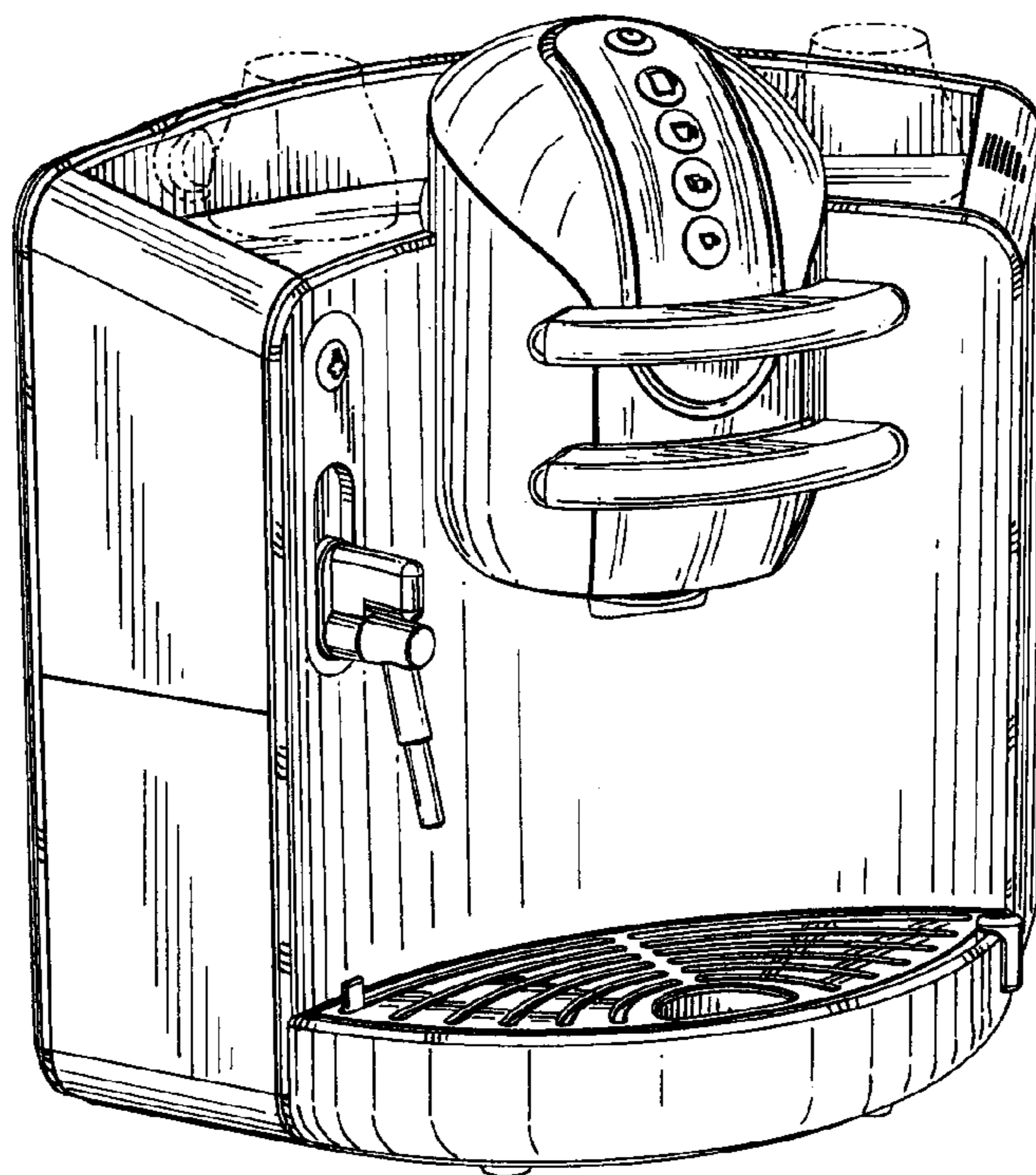
FIG. 7 is a front perspective view of FIG. 1.

FIG. 8 is a front perspective view of the coffee espresso machine with the activation lever raised.

FIG. 9 is a front perspective view of the coffee espresso machine with the cup warming plate depressed into the active position, the cups are shown in dotted line for illustration only and form no part of the claimed design; and,

FIG. 10 is a back perspective view of the coffee espresso machine with the cup warming plate depressed into the active position, the cups are shown in dotted line for illustration only and form no part of the claimed design.

**1 Claim, 4 Drawing Sheets**



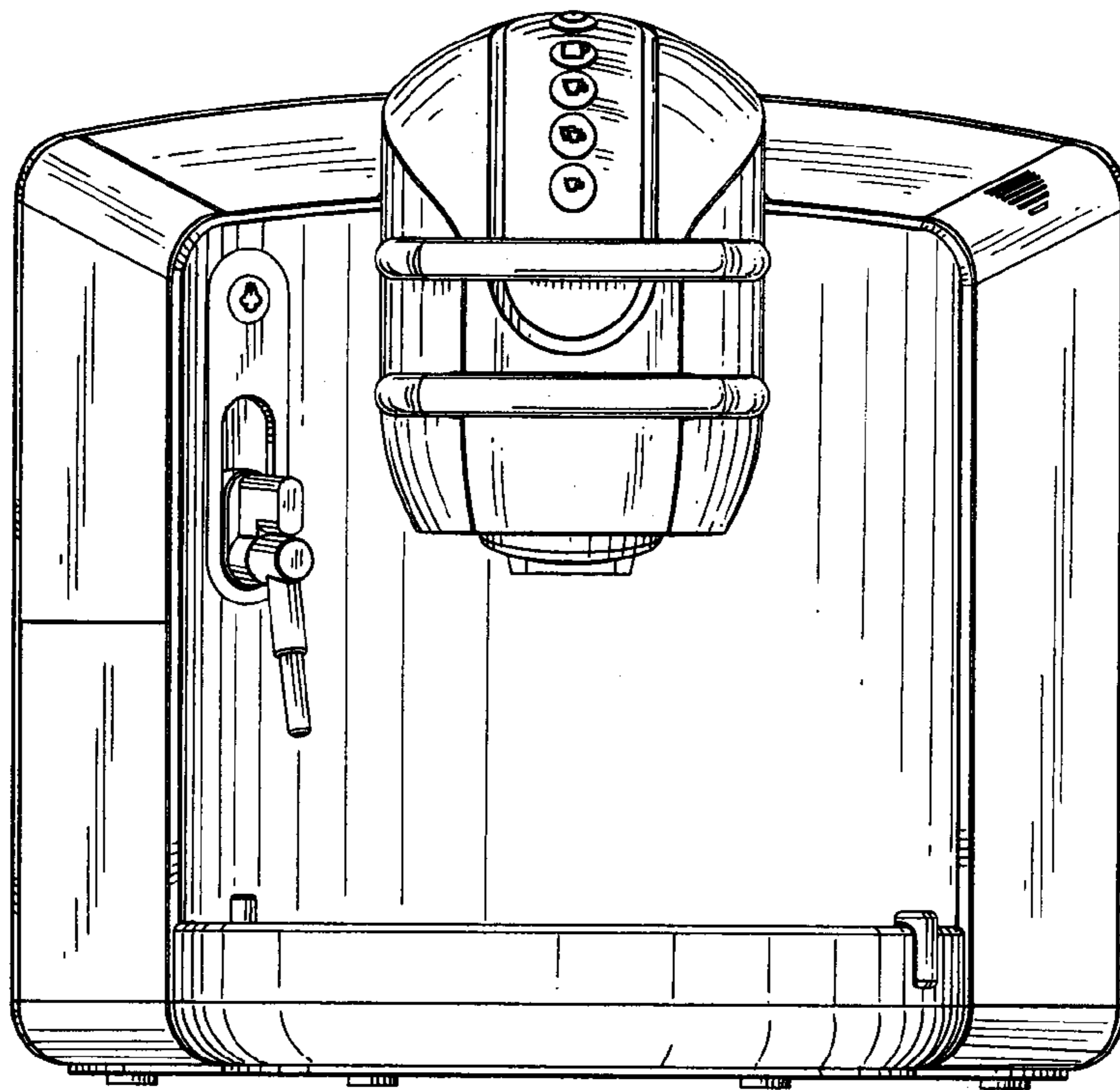


FIG.1

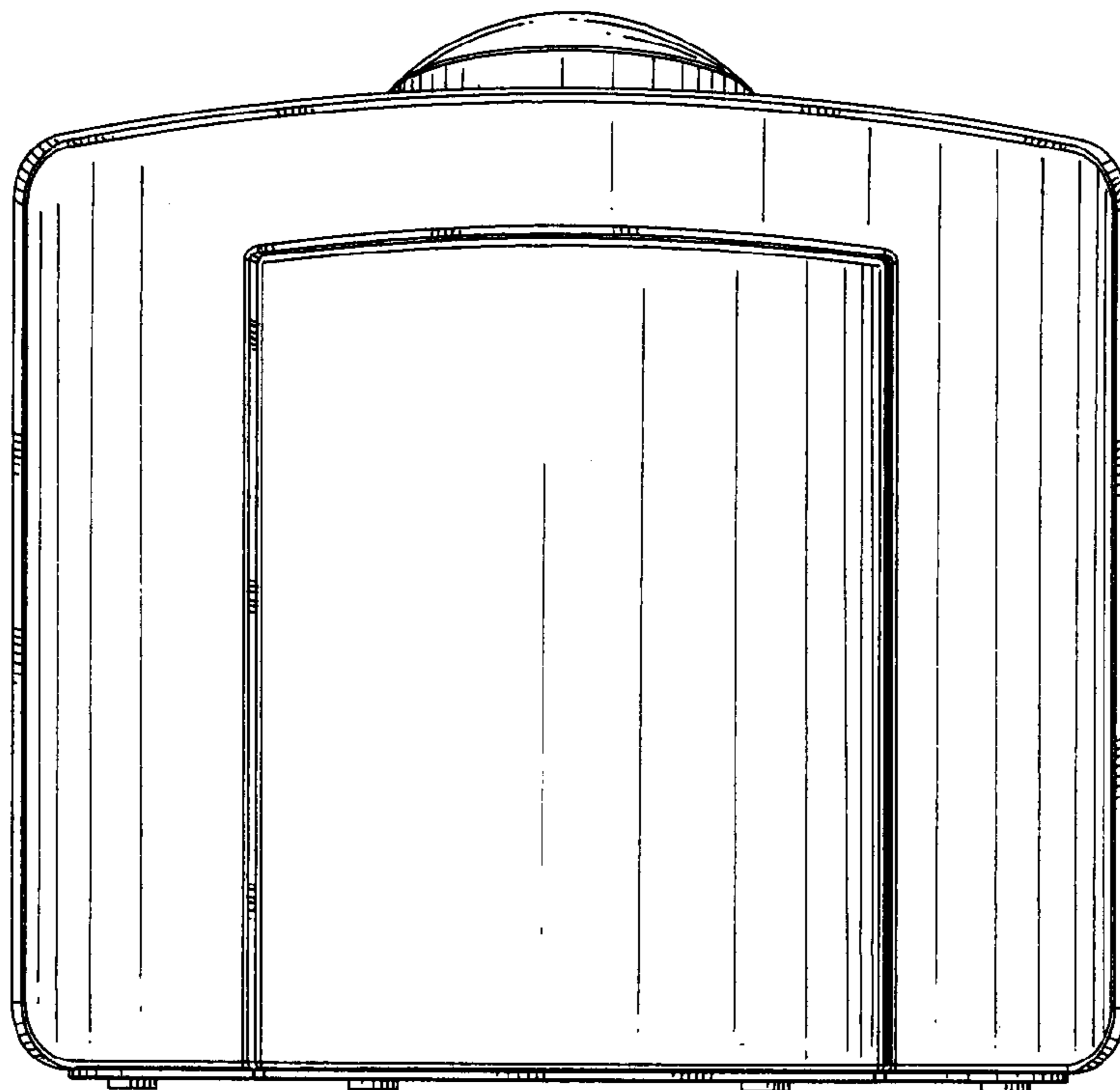


FIG.2

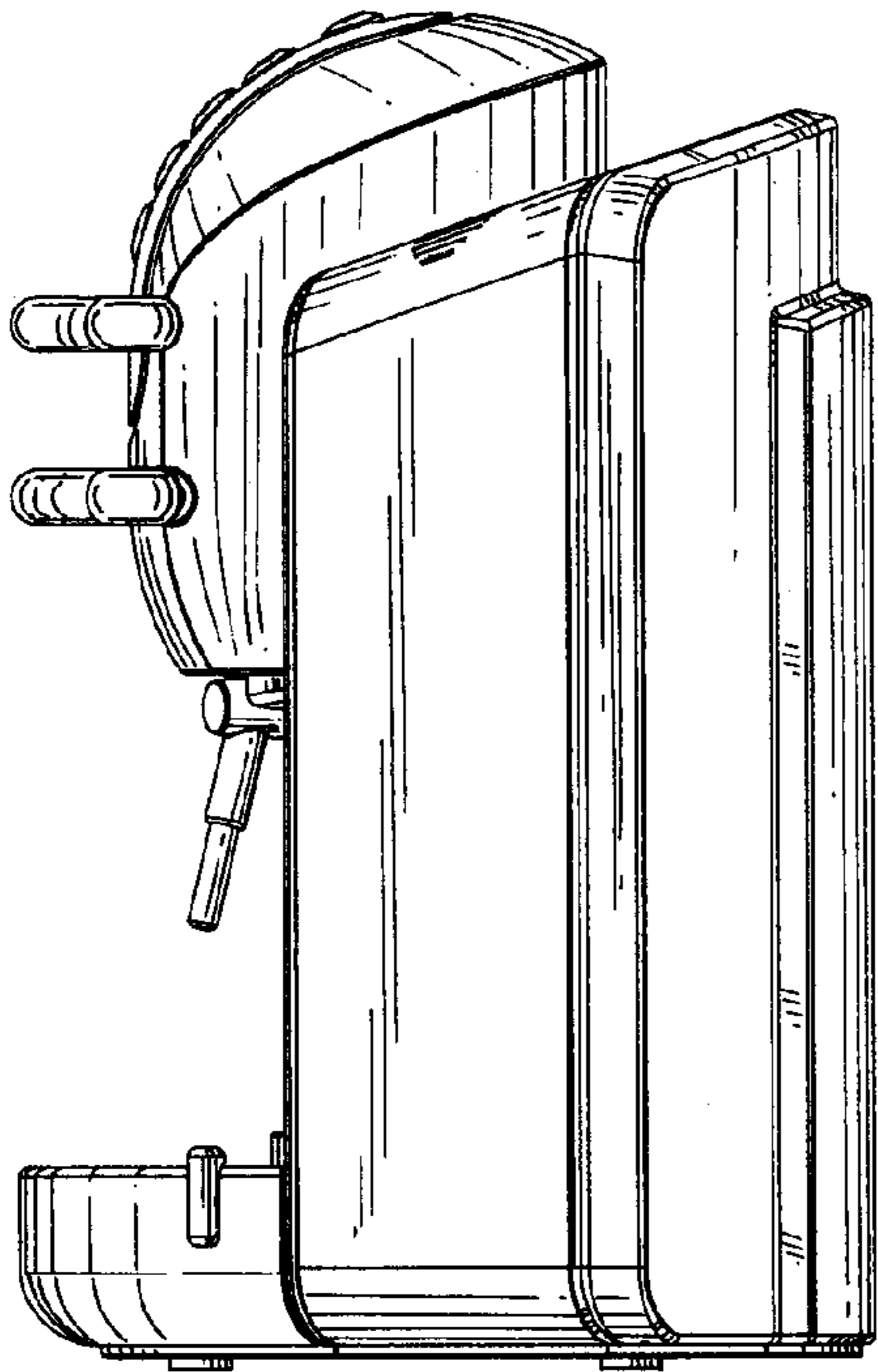


FIG.3

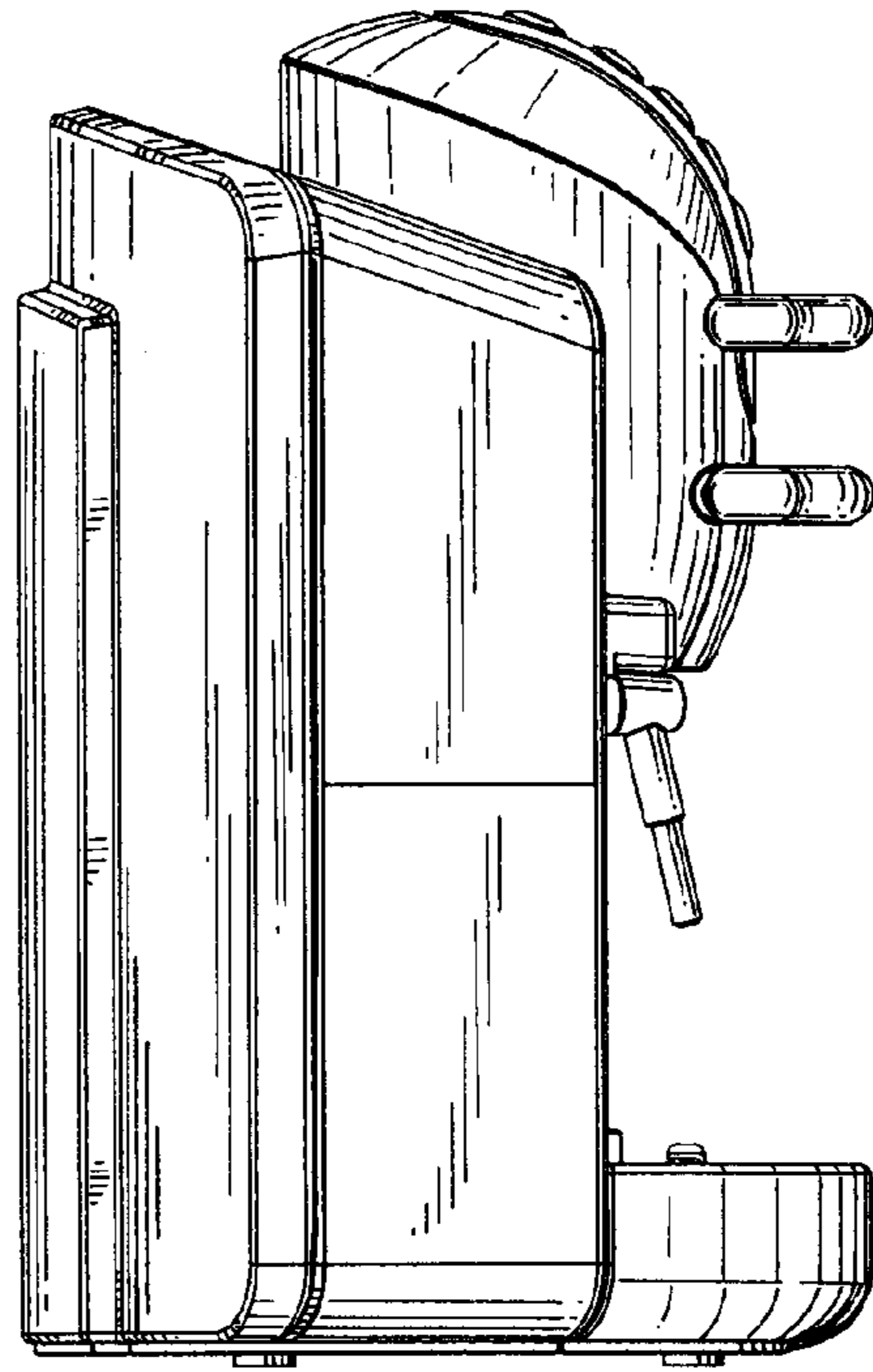


FIG.4

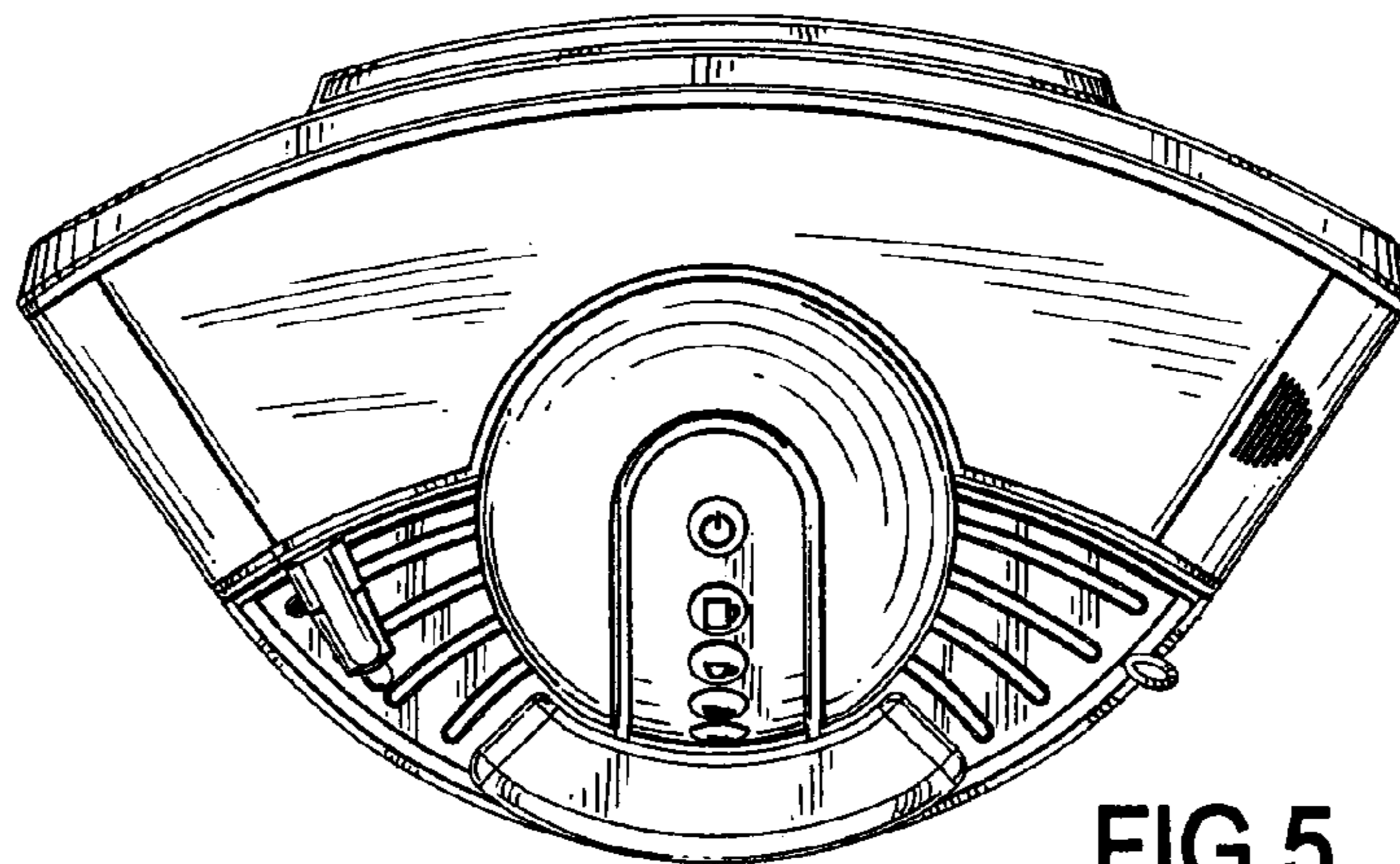


FIG.5

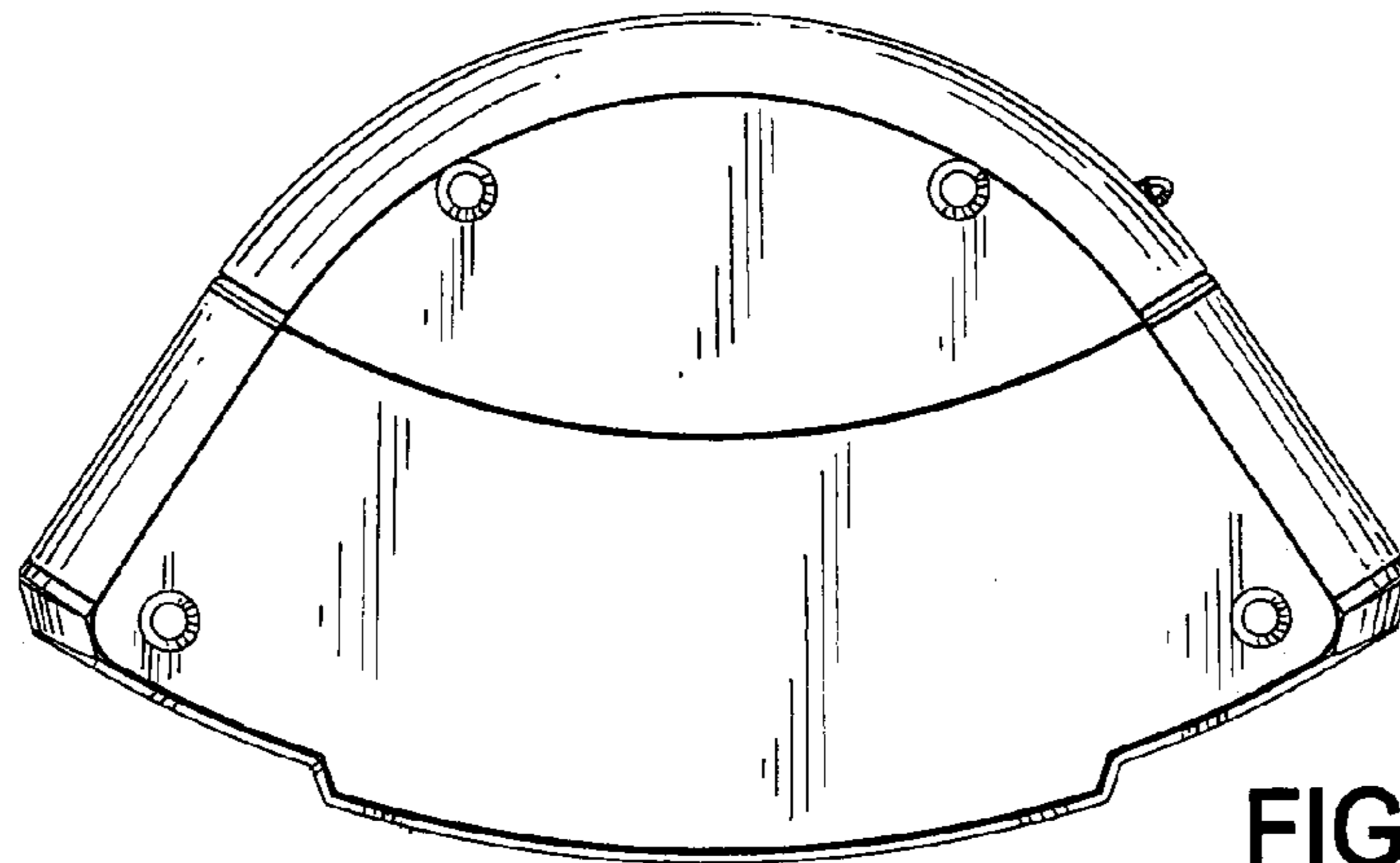


FIG.6

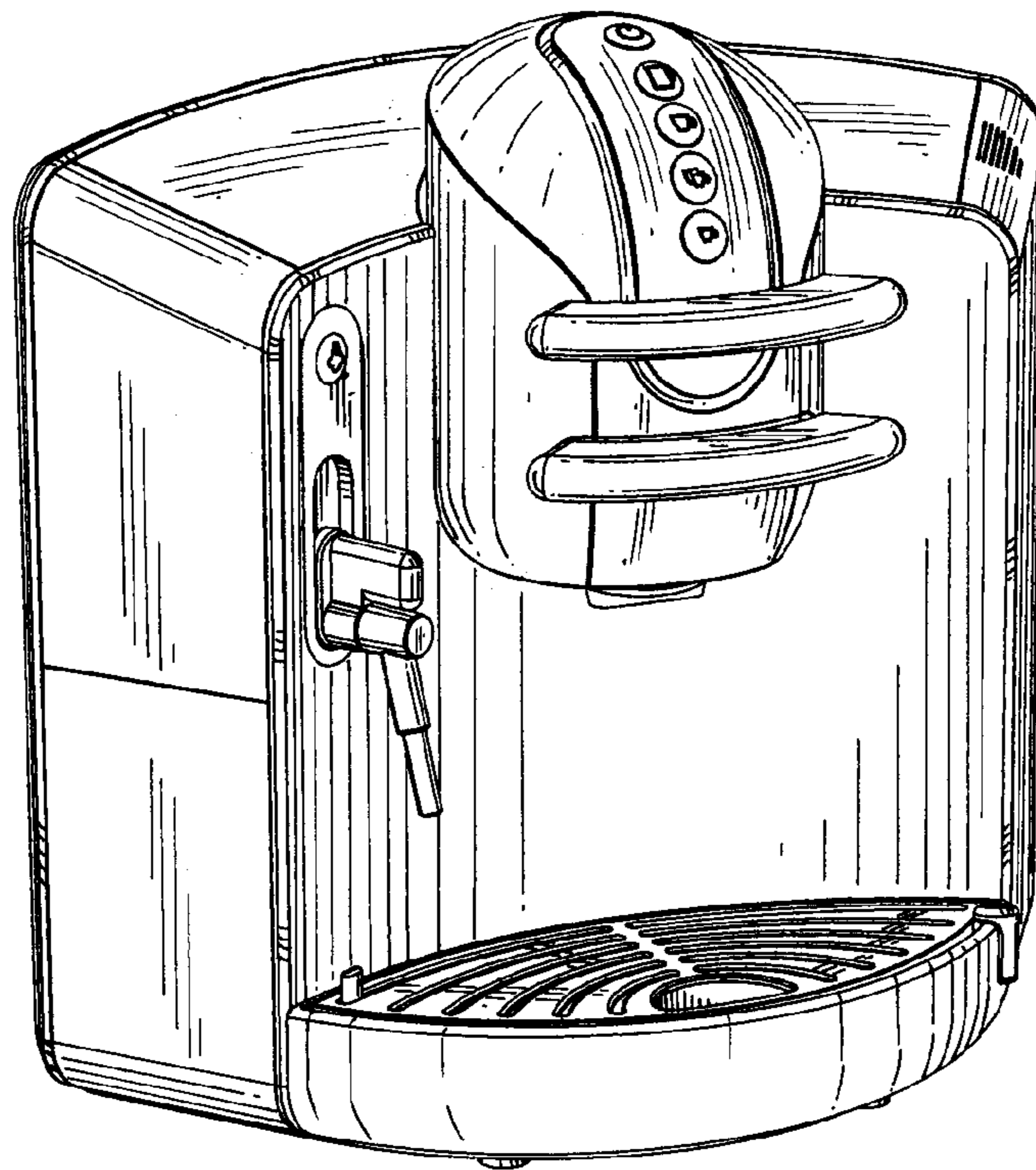


FIG. 7

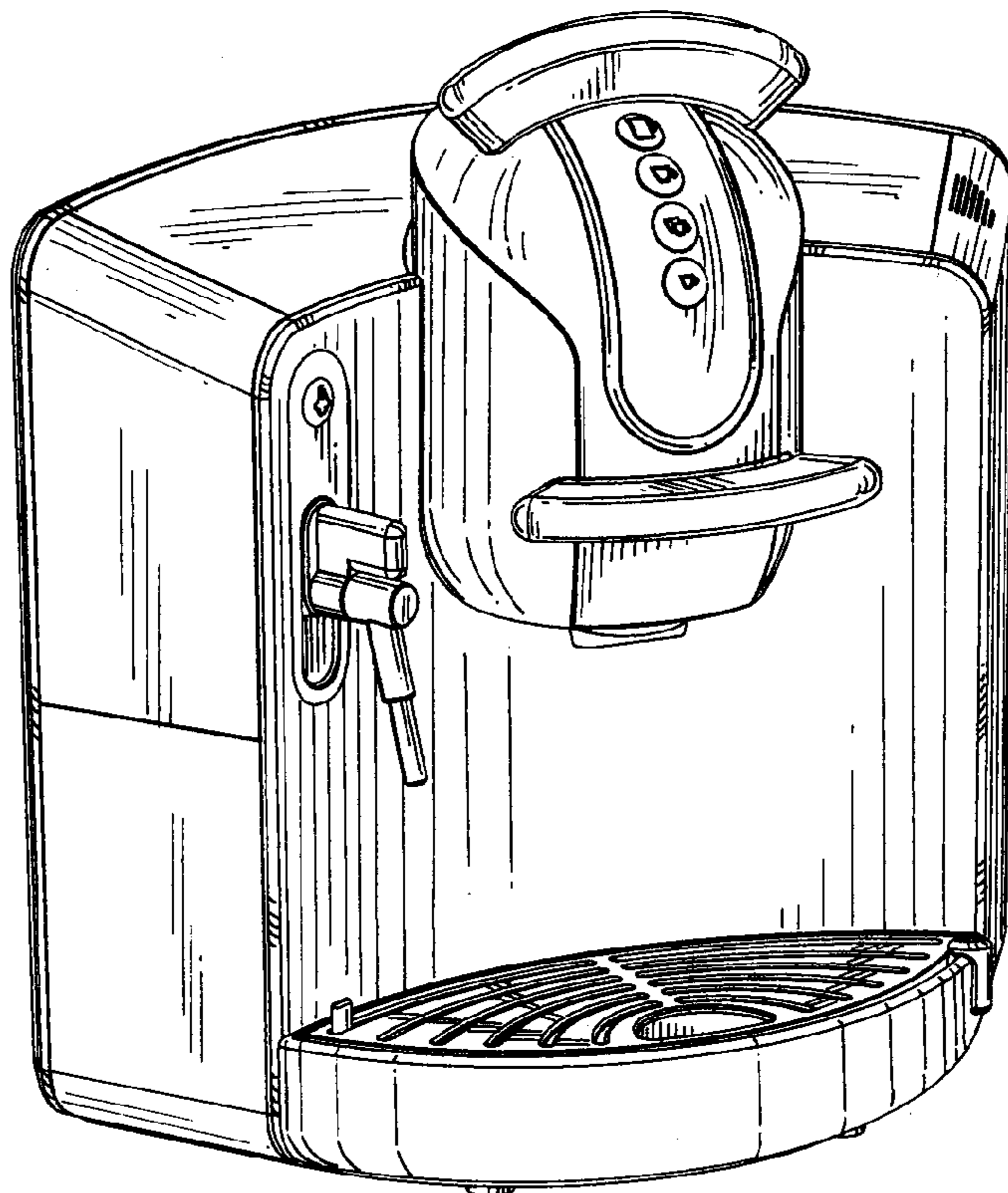


FIG. 8

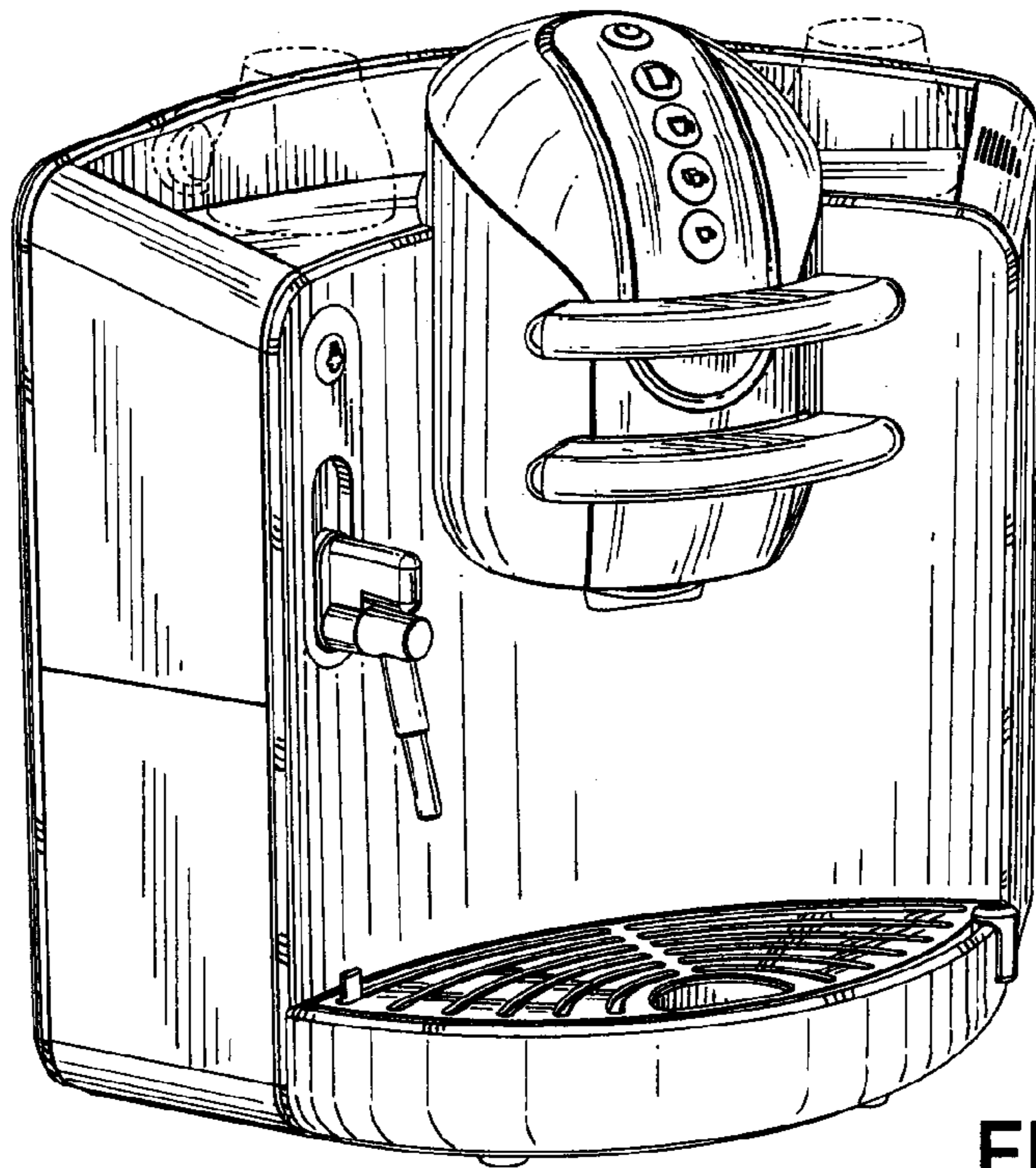


FIG.9

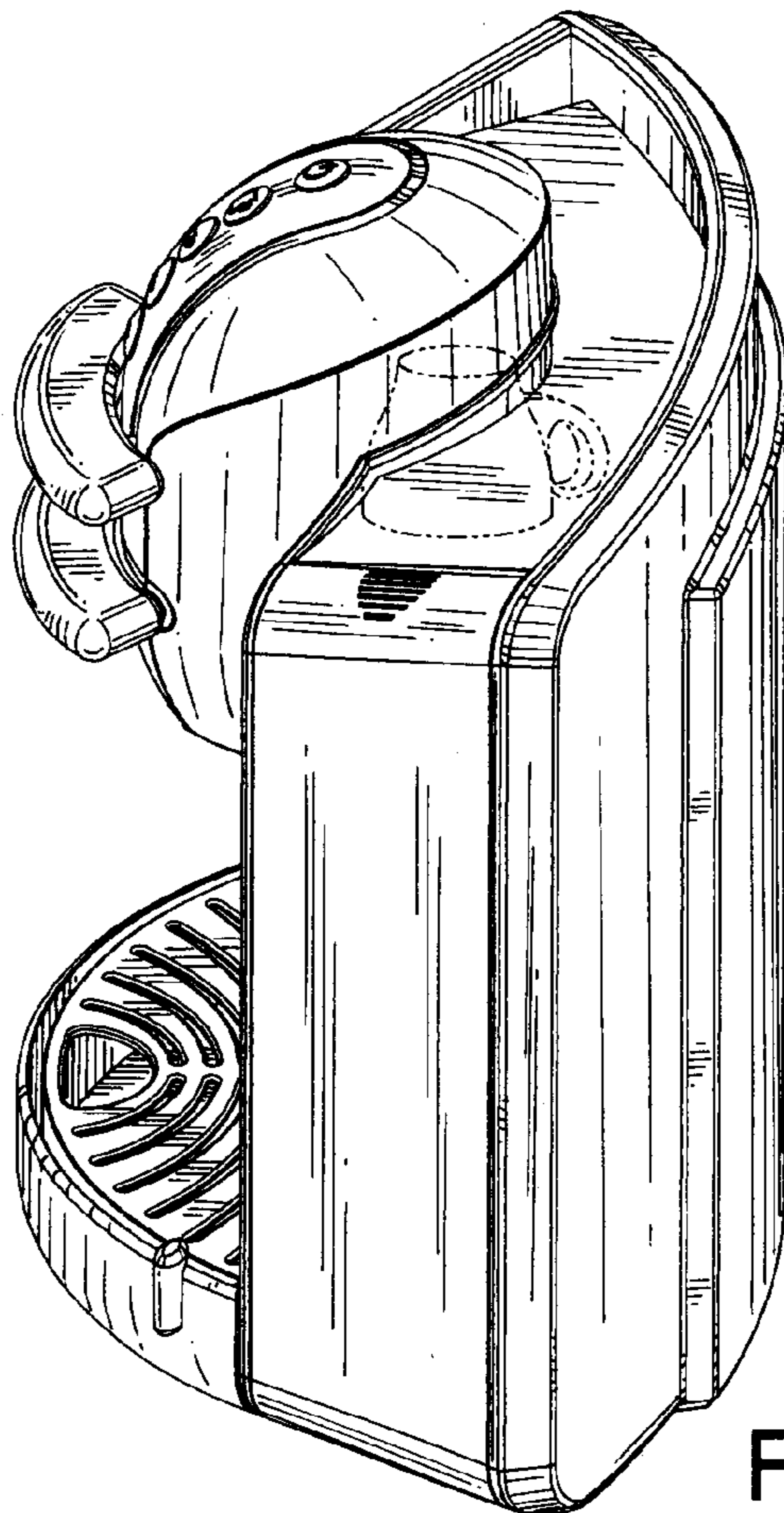


FIG.10