



US00D528844S

(12) **United States Design Patent**
Bond

(10) **Patent No.:** **US D528,844 S**

(45) **Date of Patent:** **** Sep. 26, 2006**

- (54) **CHOCOLATE FONDUE FOUNTAIN**
- (75) Inventor: **Gregg Bond**, Beverly Hills, CA (US)
- (73) Assignee: **The Helman Group, Ltd.**, Oxnard, CA (US)
- (**) Term: **14 Years**

D221,650 S *	8/1971	Gruber	D23/201
3,713,583 A *	1/1973	Gruber	239/17
D255,199 S *	6/1980	Gruber	D7/506
5,326,032 A *	7/1994	Quillin	239/20
D440,627 S *	4/2001	Wang	D23/201
2005/0092852 A1 *	5/2005	Muir et al.	239/16
2005/0092853 A1 *	5/2005	Muir et al.	239/16

- (21) Appl. No.: **29/222,419**
- (22) Filed: **Jan. 28, 2005**
- (51) **LOC (8) Cl.** **07-01**
- (52) **U.S. Cl.** **D7/304**
- (58) **Field of Classification Search** D7/558,
D7/590, 600.4, 505, 506, 300, 304, 306, 305,
D7/355, 356; 237/56; D23/201; D15/7; 239/30,
239/28, 24, 17, 20, 16, 302; 137/571; D1/122,
D1/124, 130, 199; 222/192; 99/310, 413;
426/306, 584, 103
See application file for complete search history.

OTHER PUBLICATIONS

Mr. C's Catering—Mr. C's Chocolate Waterfall Dessert Fountain, internet search, page modified Jan. 3, 2004.*
HE855 Chocolate fondue fountain#CCF-884, Internet Search ,updated site Nov. 28, 2004.*

* cited by examiner

Primary Examiner—M. N. Pandozzi
(74) *Attorney, Agent, or Firm*—Lewis Anten; Ying Chen

(57) **CLAIM**

The ornamental design for a chocolate fondue fountain, as shown.

(56) **References Cited**

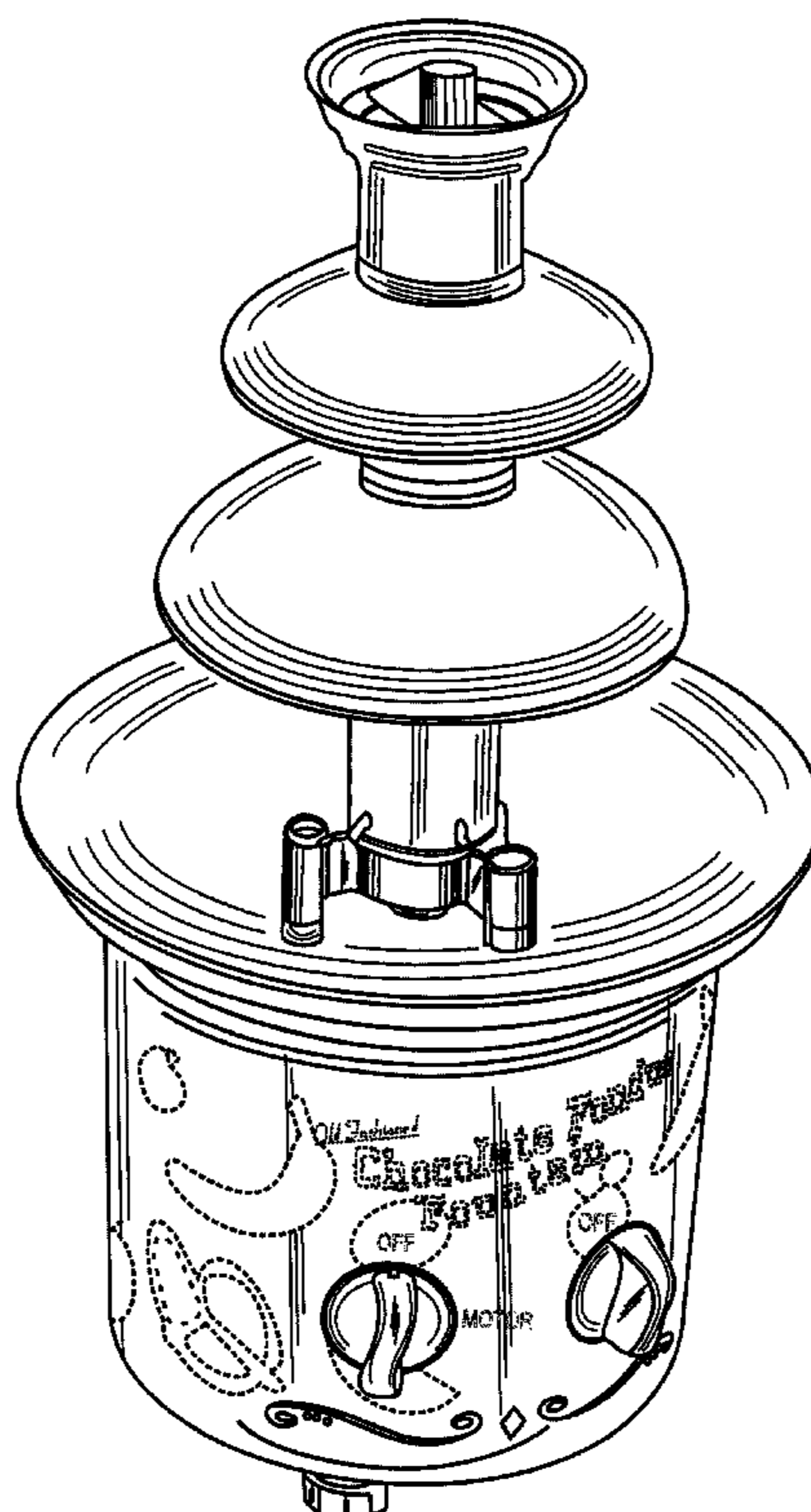
U.S. PATENT DOCUMENTS

D44,321 S *	7/1913	Page	D7/304
D46,797 S *	12/1914	Blackmarr	D7/304
1,322,803 A *	11/1919	MacFadden	237/56
1,939,803 A *	12/1933	Cataldi	239/17
D113,465 S *	2/1939	Ohrenschall	D23/201
D165,471 S *	12/1951	Krantos	D7/304
D182,725 S *	5/1958	Kaufmann	D23/201
3,022,010 A *	2/1962	Barnett	239/17
3,451,622 A *	6/1969	Forney	239/20

DESCRIPTION

FIG. 1 is a perspective view of a chocolate fondue fountain showing my new design;
FIG. 2 is a front elevation view thereof;
FIG. 3 is a rear elevation view thereof;
FIG. 4 is a right side elevation view thereof;
FIG. 5 is a left side elevation view thereof;
FIG. 6 is an enlarged top plan view thereof; and,
FIG. 7 is an enlarged bottom plan view thereof.

1 Claim, 7 Drawing Sheets



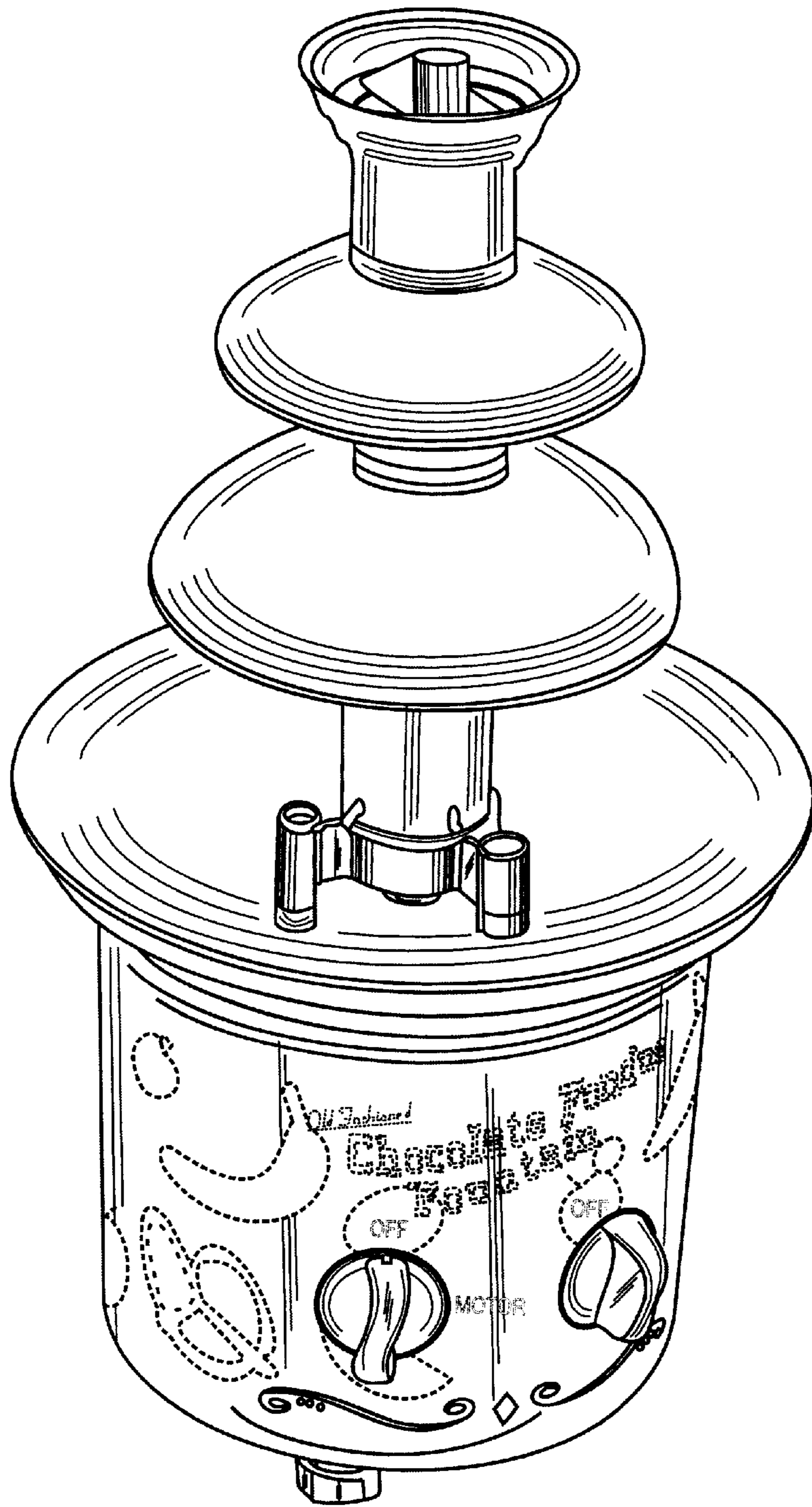


FIG. 1

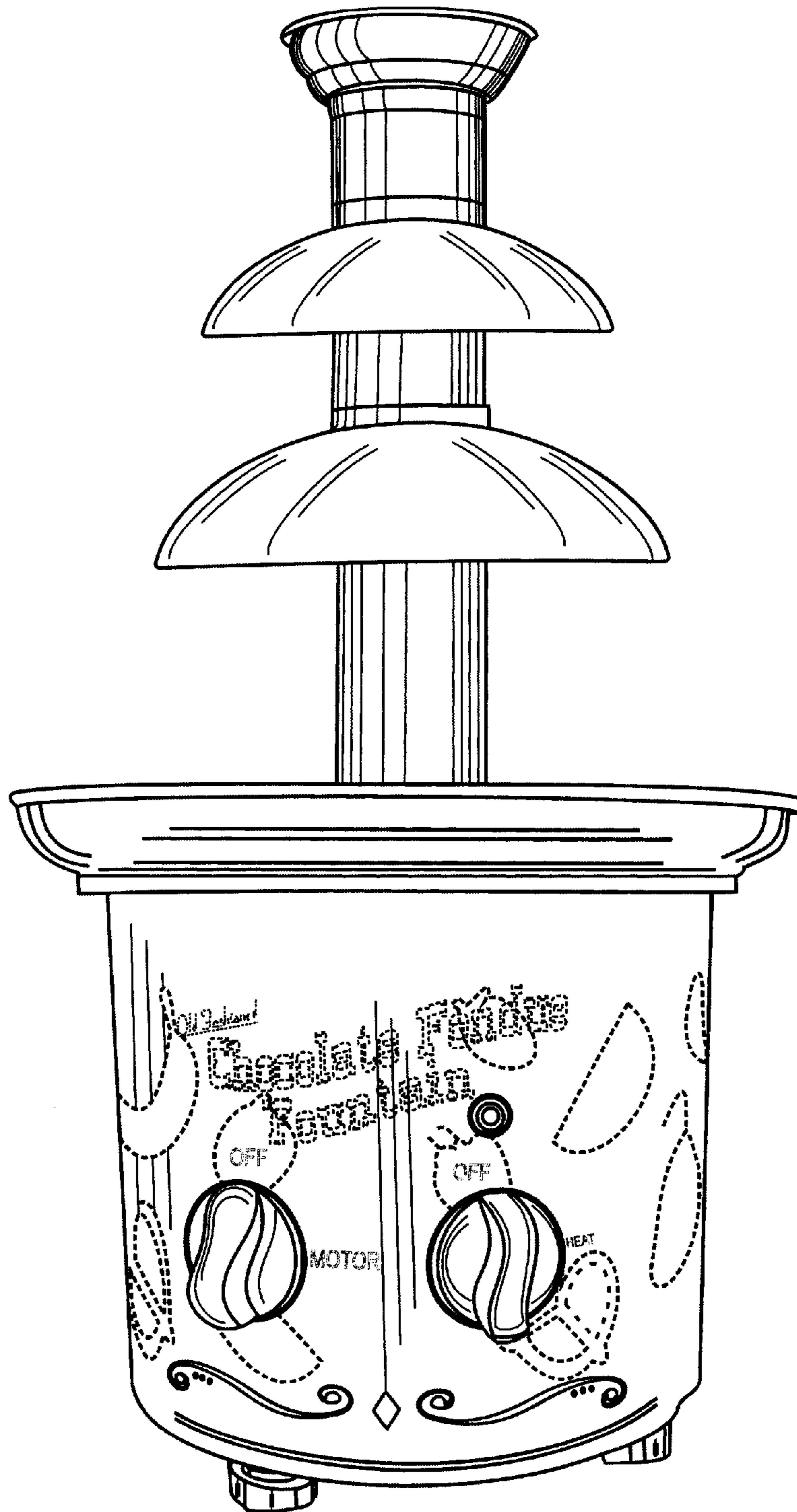


FIG. 2

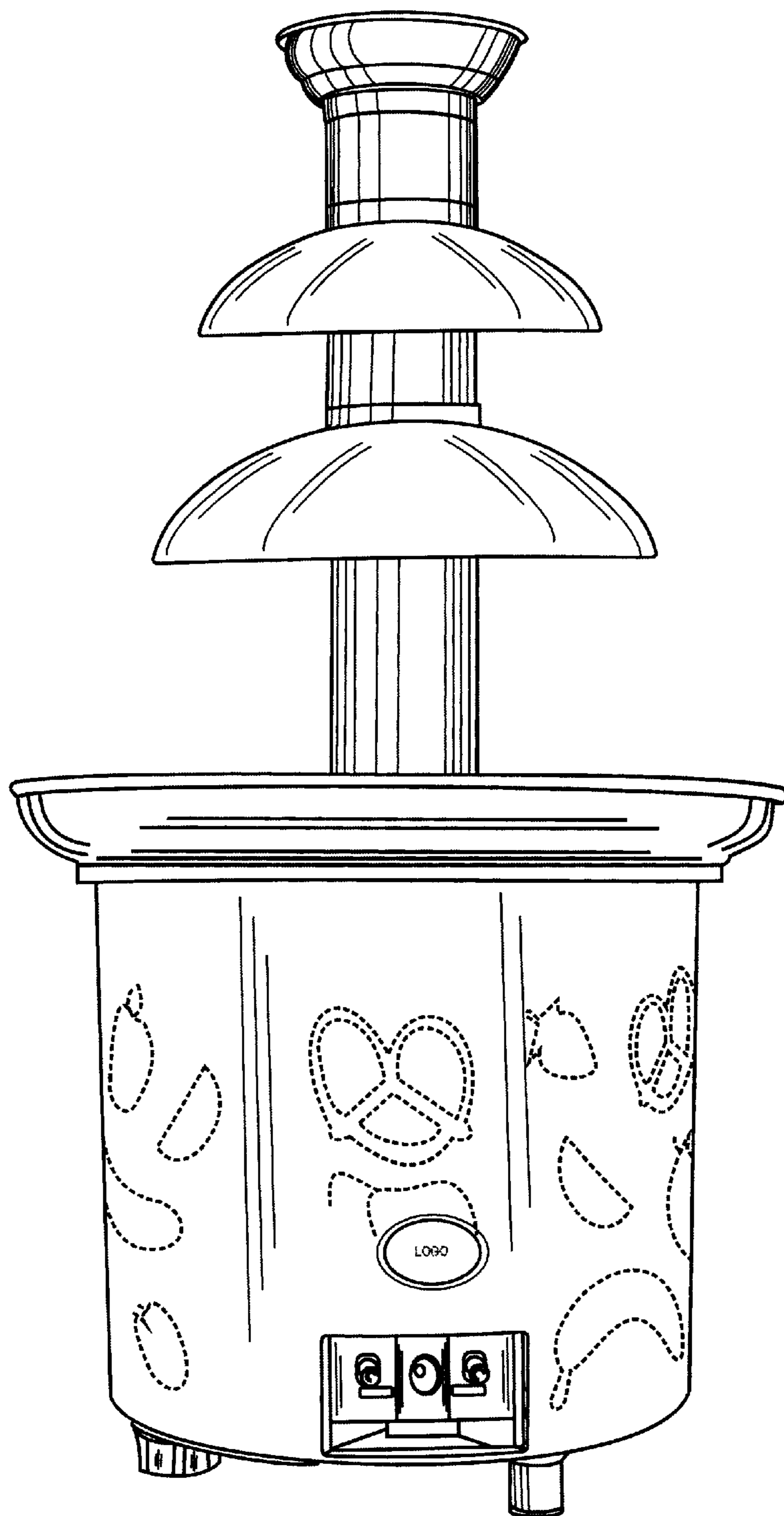


FIG. 3

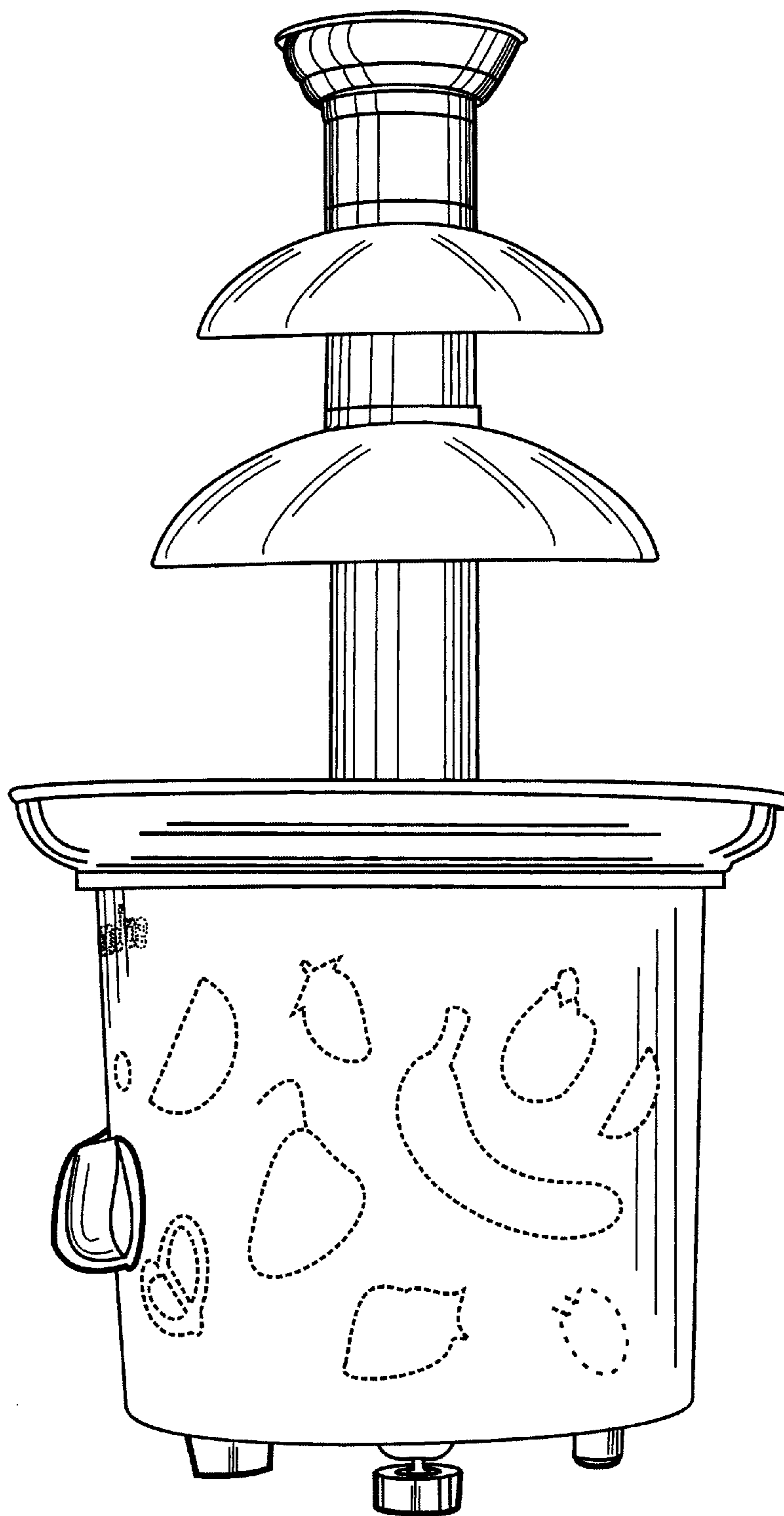


FIG. 4

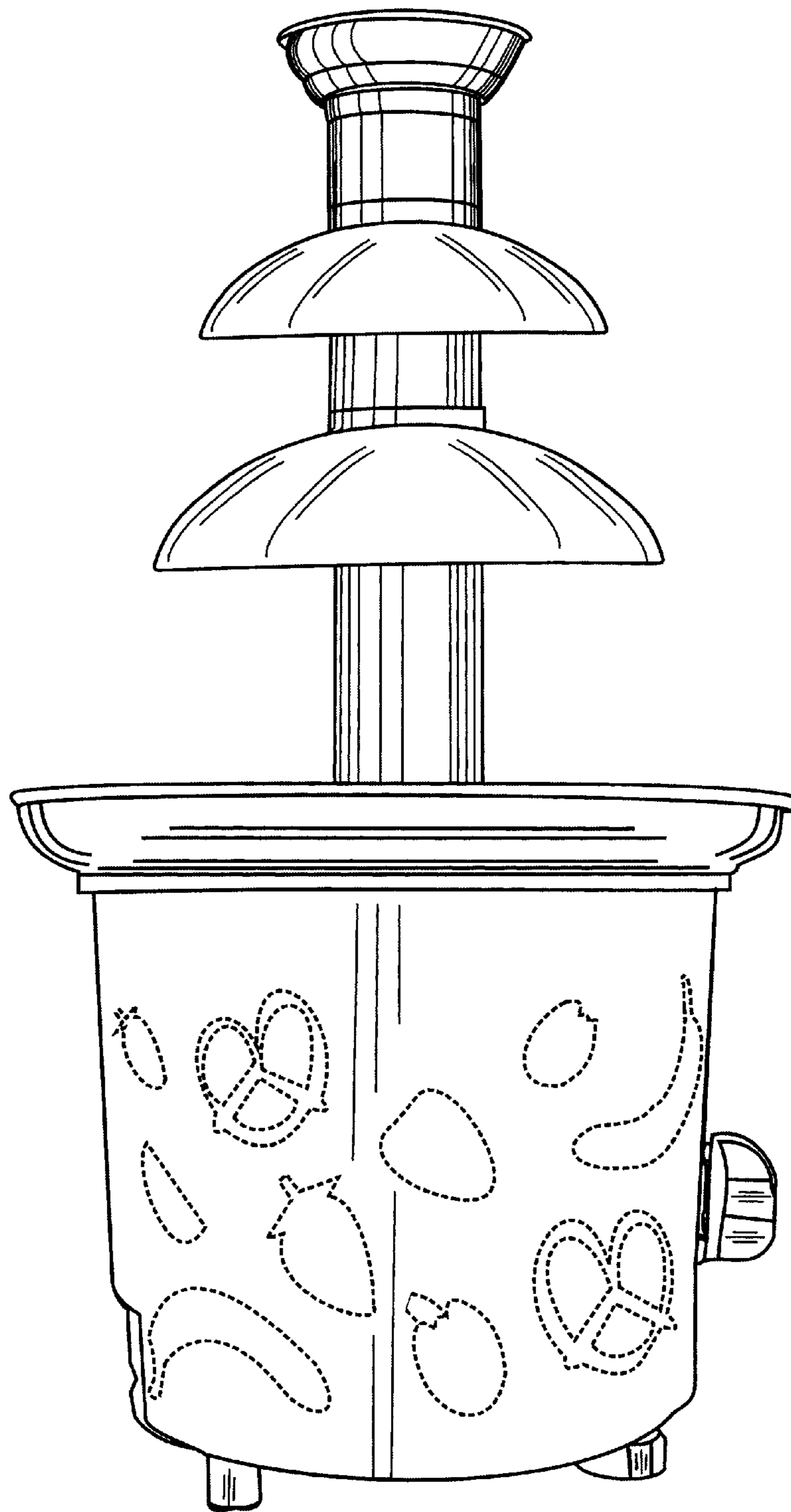


FIG. 5

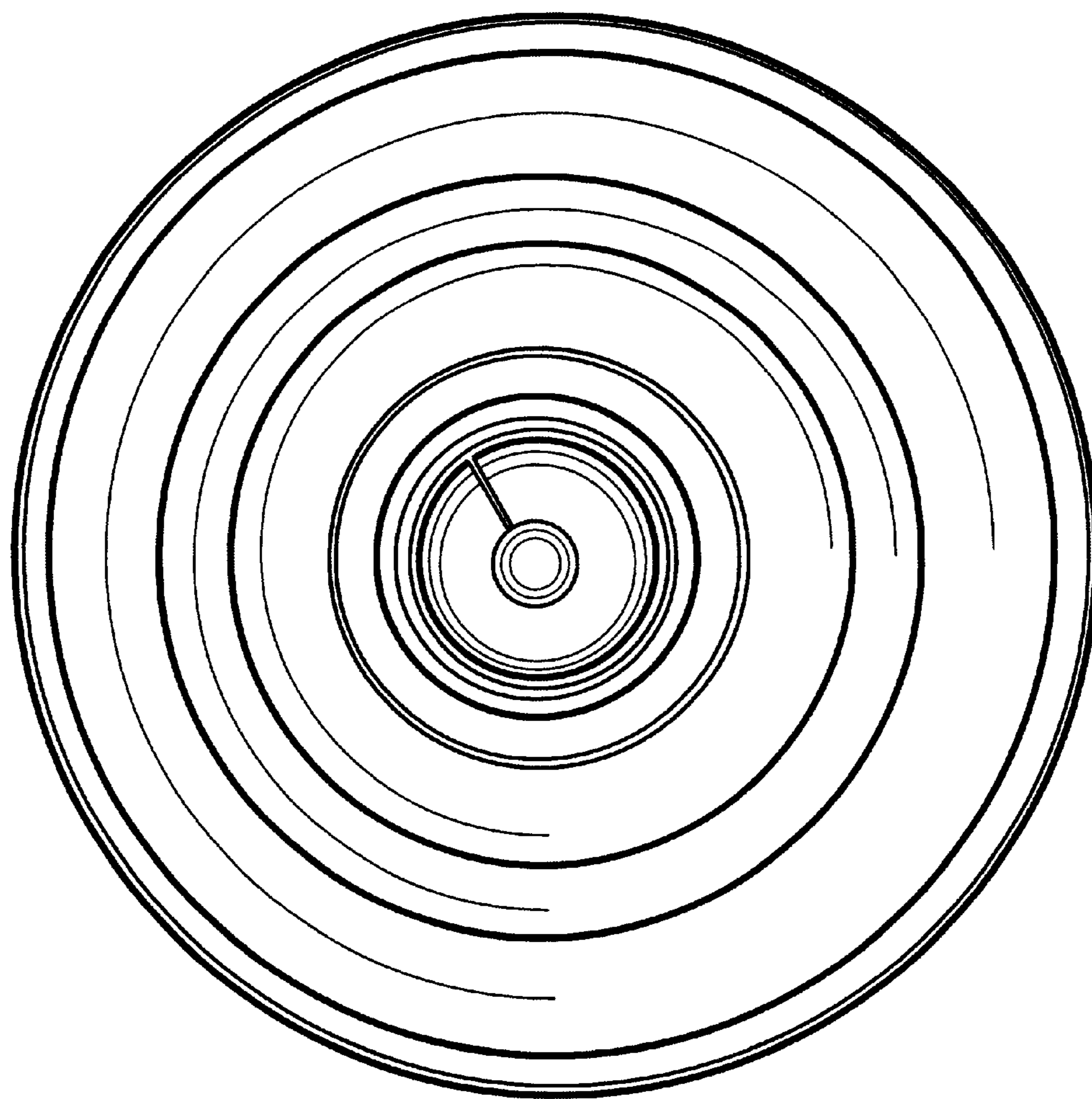


FIG. 6

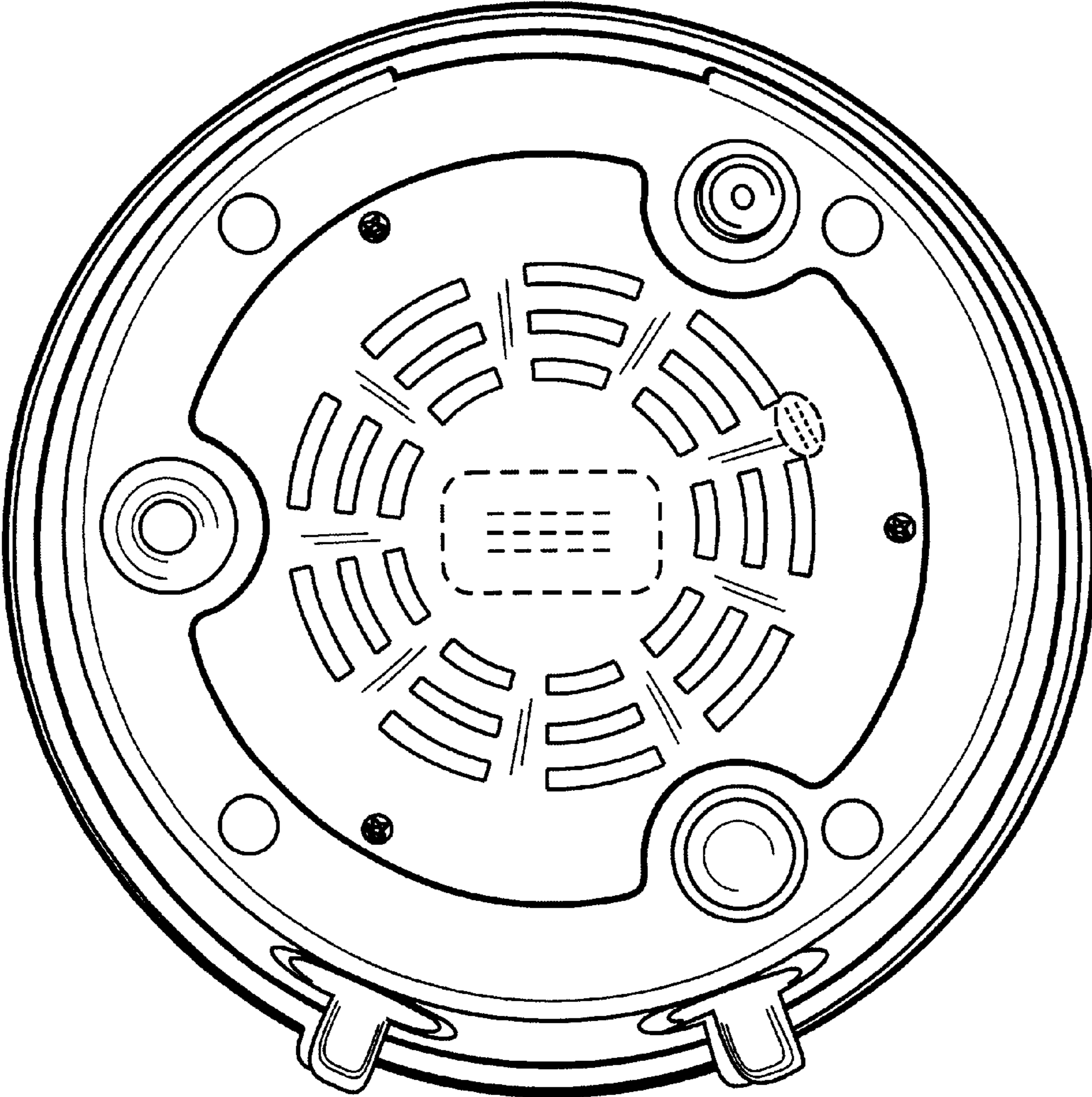


FIG. 7