



US00D528843S

(12) **United States Design Patent**
Kwok

(10) **Patent No.:** **US D528,843 S**

(45) **Date of Patent:** **** Sep. 26, 2006**

(54) **MODULE FOR STORAGE RACK FOR
COMPACT DISCS, CASSETTES, AND THE
LIKE**

D450,971 S * 11/2001 Lee D6/630
D472,729 S * 4/2003 Udommahuntisuk D6/407
D478,236 S * 8/2003 Schiffman D6/630

(75) Inventor: **Tat Cheong Kwok**, Hong Kong (HK)

* cited by examiner

(73) Assignee: **Kwok's Brother Manufacturing
Limited**, Hong Kong (CN)

Primary Examiner—Cathron C. Brooks

(74) *Attorney, Agent, or Firm*—Raymond Van Dyke; Nixon
Peabody LLP

(**) Term: **14 Years**

(57) **CLAIM**

(21) Appl. No.: **29/181,161**

The ornamental design for a module for storage rack for compact discs, cassettes, and the like, as shown and described.

(22) Filed: **May 7, 2003**

(30) **Foreign Application Priority Data**

DESCRIPTION

Nov. 21, 2002 (HK) 0211862

(51) **LOC (8) Cl.** **06-04**

(52) **U.S. Cl.** **D6/630**

(58) **Field of Classification Search** D6/407,
D6/628–630, 418, 462–465, 467, 468, 475,
D6/477–479, 511; 108/59, 91, 93, 147.11;
206/307, 307.1, 308.1; 211/40, 41.1, 41.2,
211/41.12, 76, 126.19, 133.2, 133.5, 153,
211/181.1, 180; 312/9.1, 9.9, 9.47, 9.48,
312/9.51–9.54, 9.64, 213

See application file for complete search history.

FIG. 1 is a perspective view from the front of the module for storage rack showing a first embodiment of my new ornamental design;

FIG. 2 is a perspective view from the rear thereof;

FIG. 3 is a front elevational view thereof;

FIG. 4 is a rear elevational view thereof;

FIG. 5 is a left side elevational view thereof;

FIG. 6 is a right side elevational view thereof;

FIG. 7 is a top plan view thereof;

FIG. 8 is a bottom plan view thereof;

FIG. 9 is a perspective view from the front of a second embodiment of my new ornamental design, illustrating two modules in a stacked arrangement thereof;

FIG. 10 is a perspective view from the front of a third embodiment of my new ornamental design, illustrating two modules both placed sideways and in a stacked arrangement thereof;

FIG. 11 is a perspective view from the rear of FIG. 10 thereof; and,

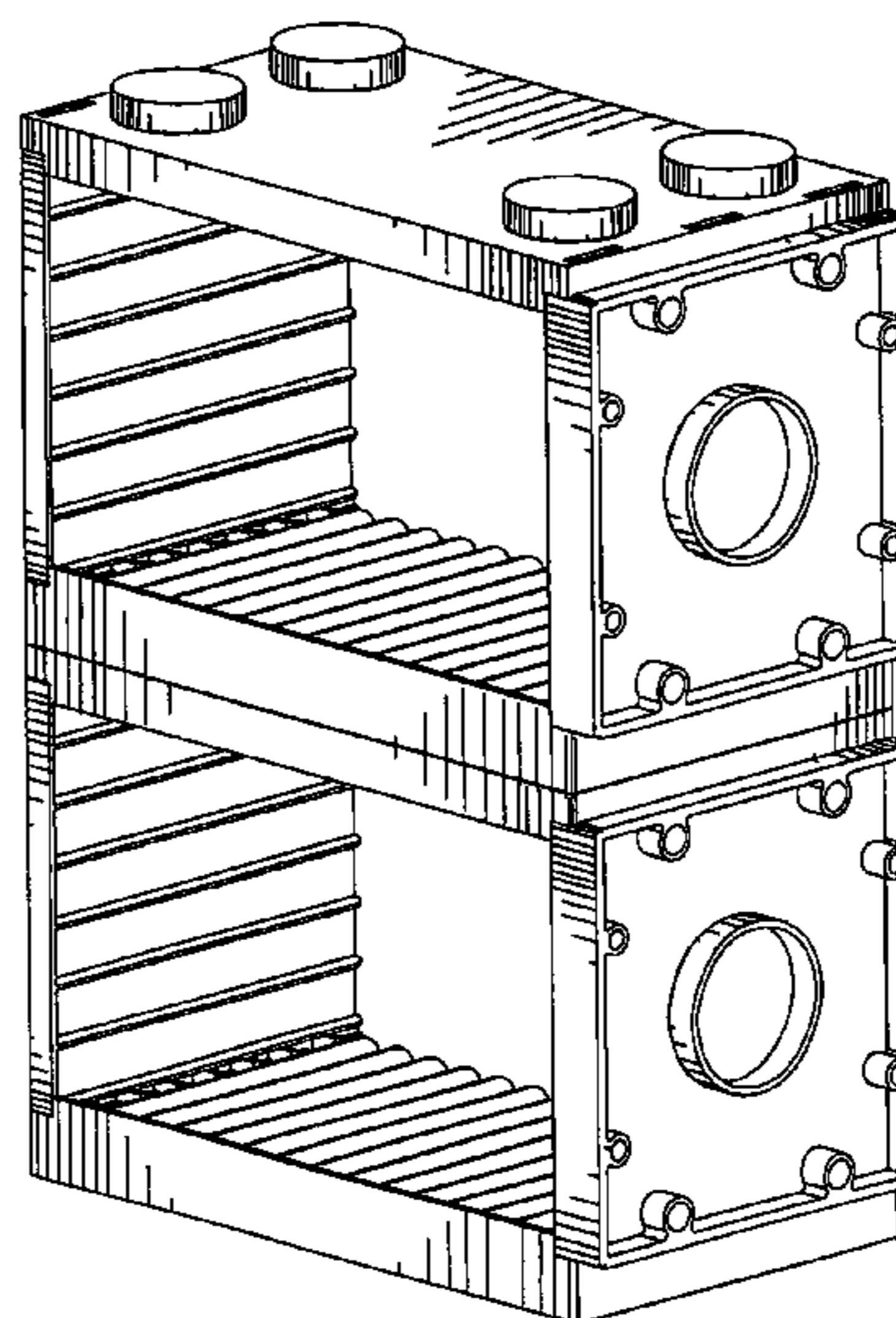
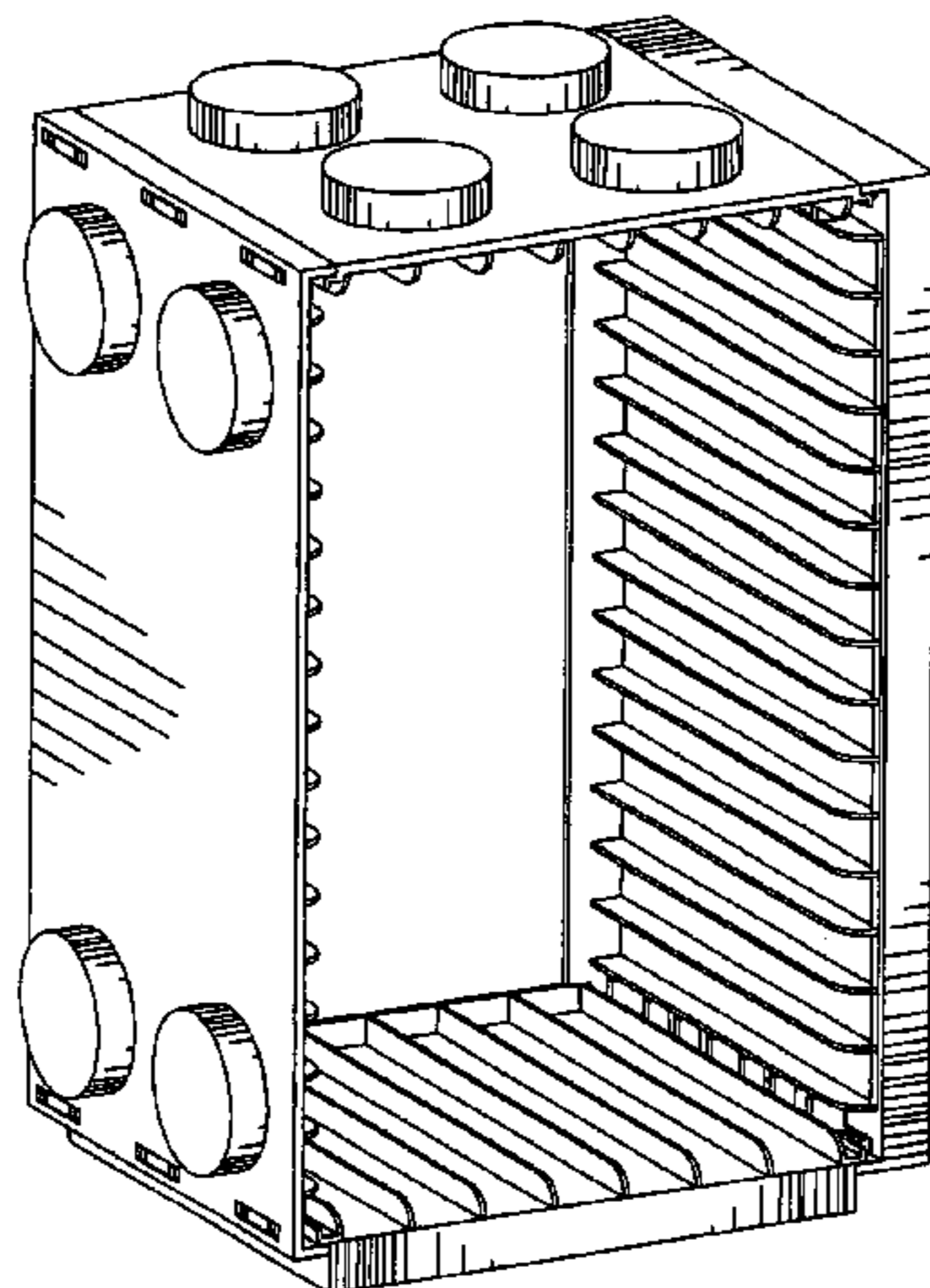
FIG. 12 is a perspective view from the front of a fourth embodiment of my new ornamental design, illustrating two modules joined side by side thereof with one module placed sideways.

(56) **References Cited**

U.S. PATENT DOCUMENTS

D276,110 S * 10/1984 Savelkouls D6/467
5,226,704 A * 7/1993 Porter 312/9.48
5,350,304 A * 9/1994 Fula et al. 312/213 X
D371,712 S * 7/1996 Koziol D6/629
D386,931 S * 12/1997 Nemeth D6/629
5,730,300 A * 3/1998 Chen 312/9.9 X
D407,923 S * 4/1999 Hyaric D6/477
6,039,190 A * 3/2000 Clausen 211/40
6,203,129 B1 * 3/2001 Kupferschmid 312/9.48
D450,519 S * 11/2001 Chung et al. D6/630

1 Claim, 12 Drawing Sheets



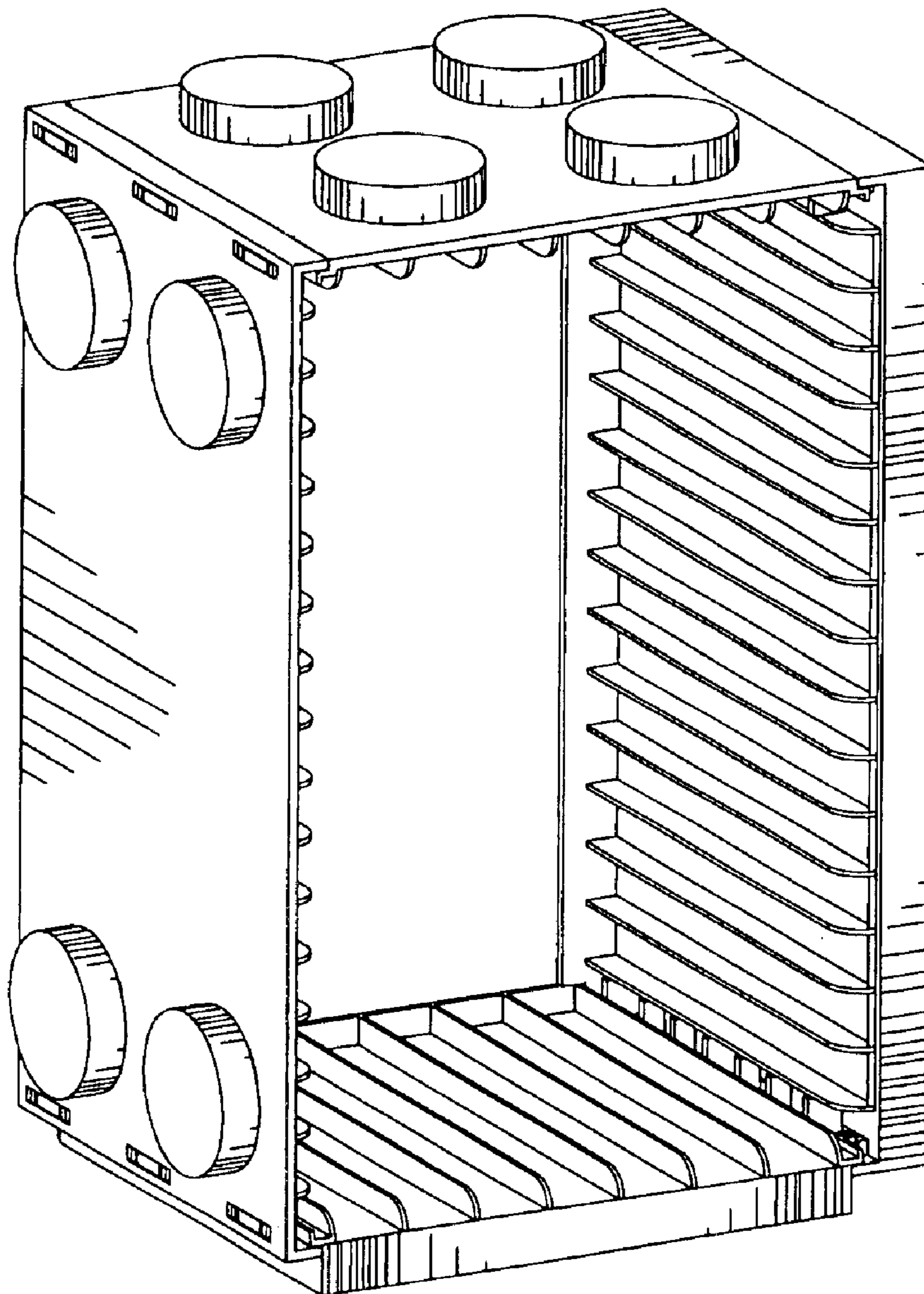


FIG. 1

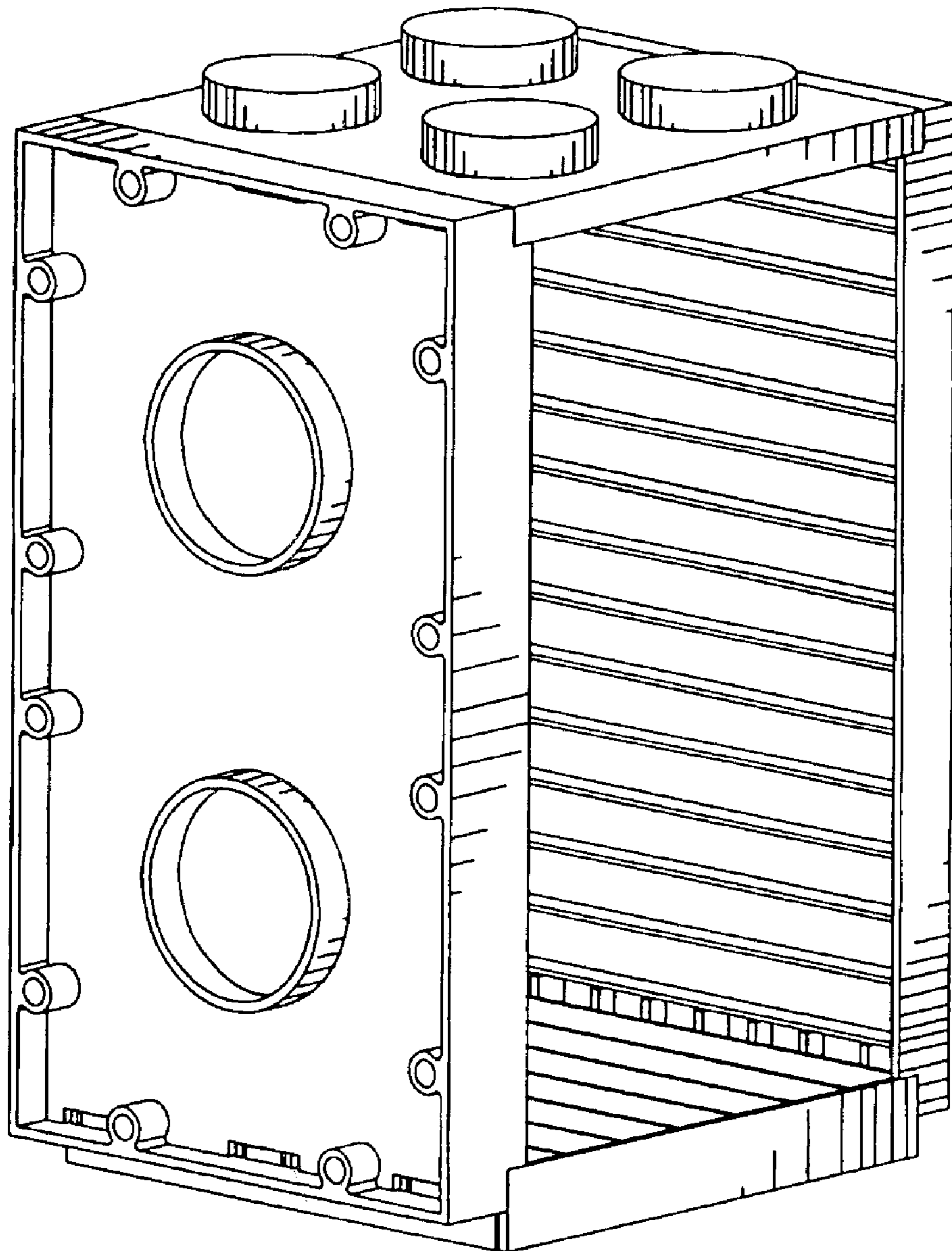


FIG. 2

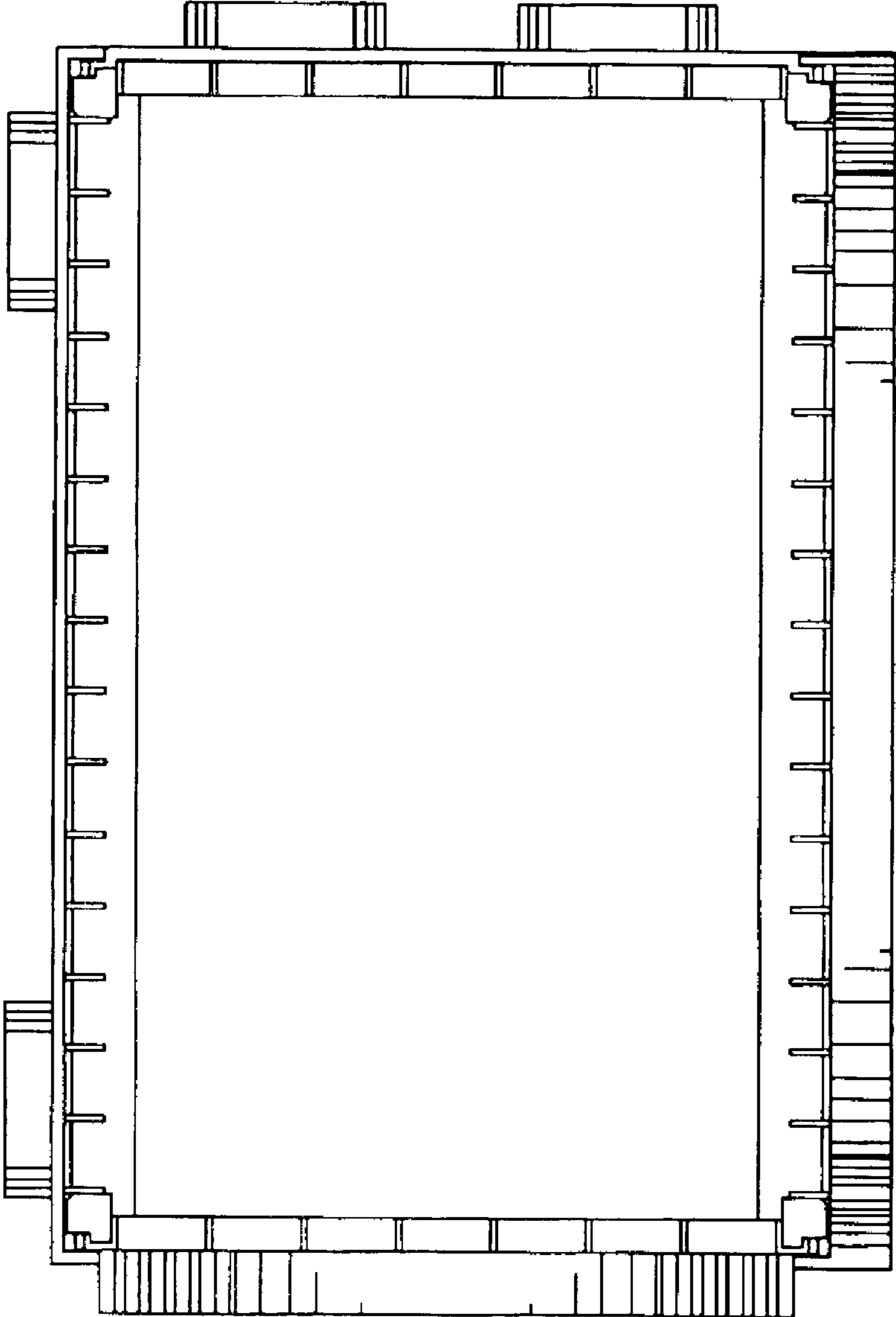


FIG. 3

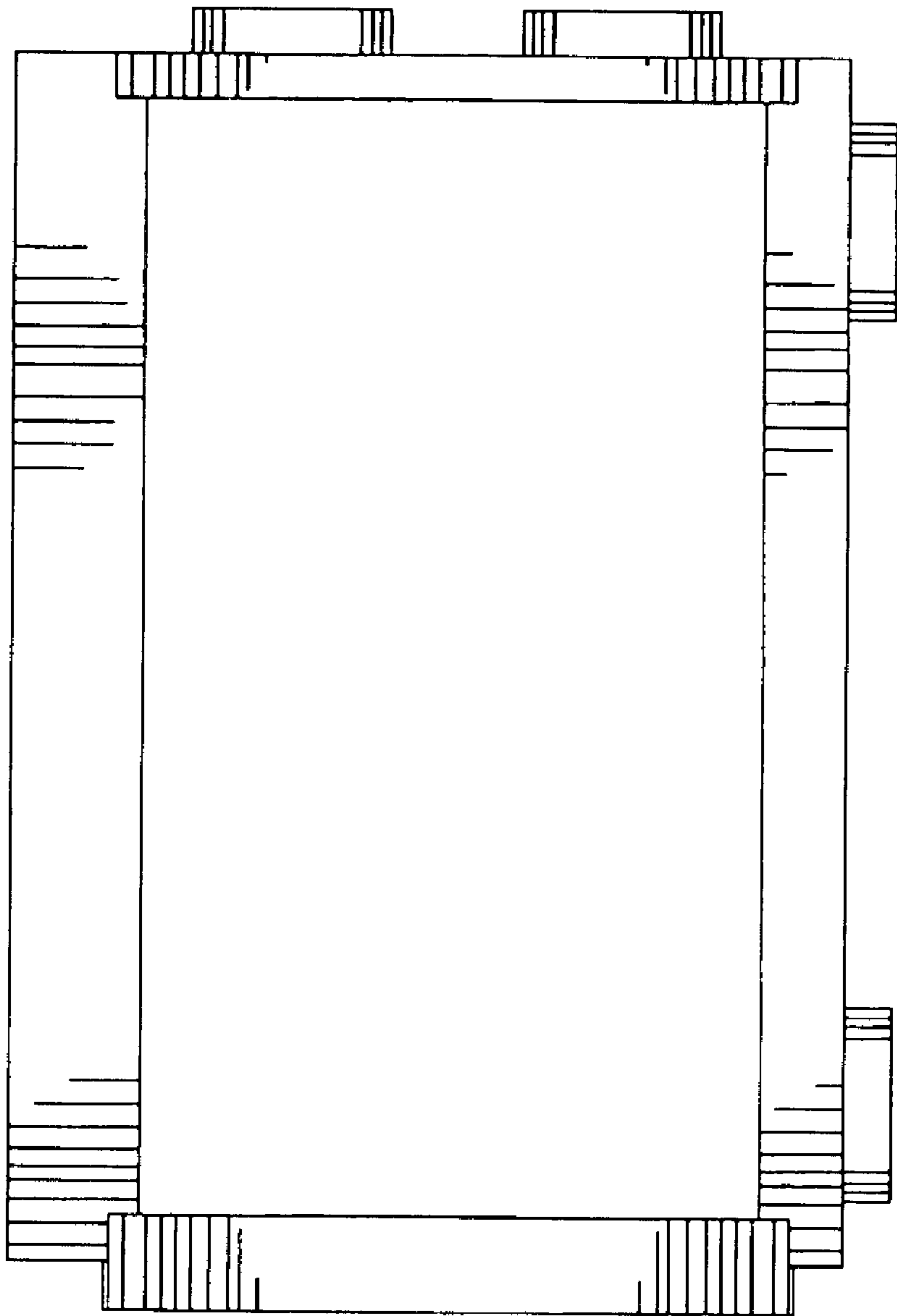


FIG. 4

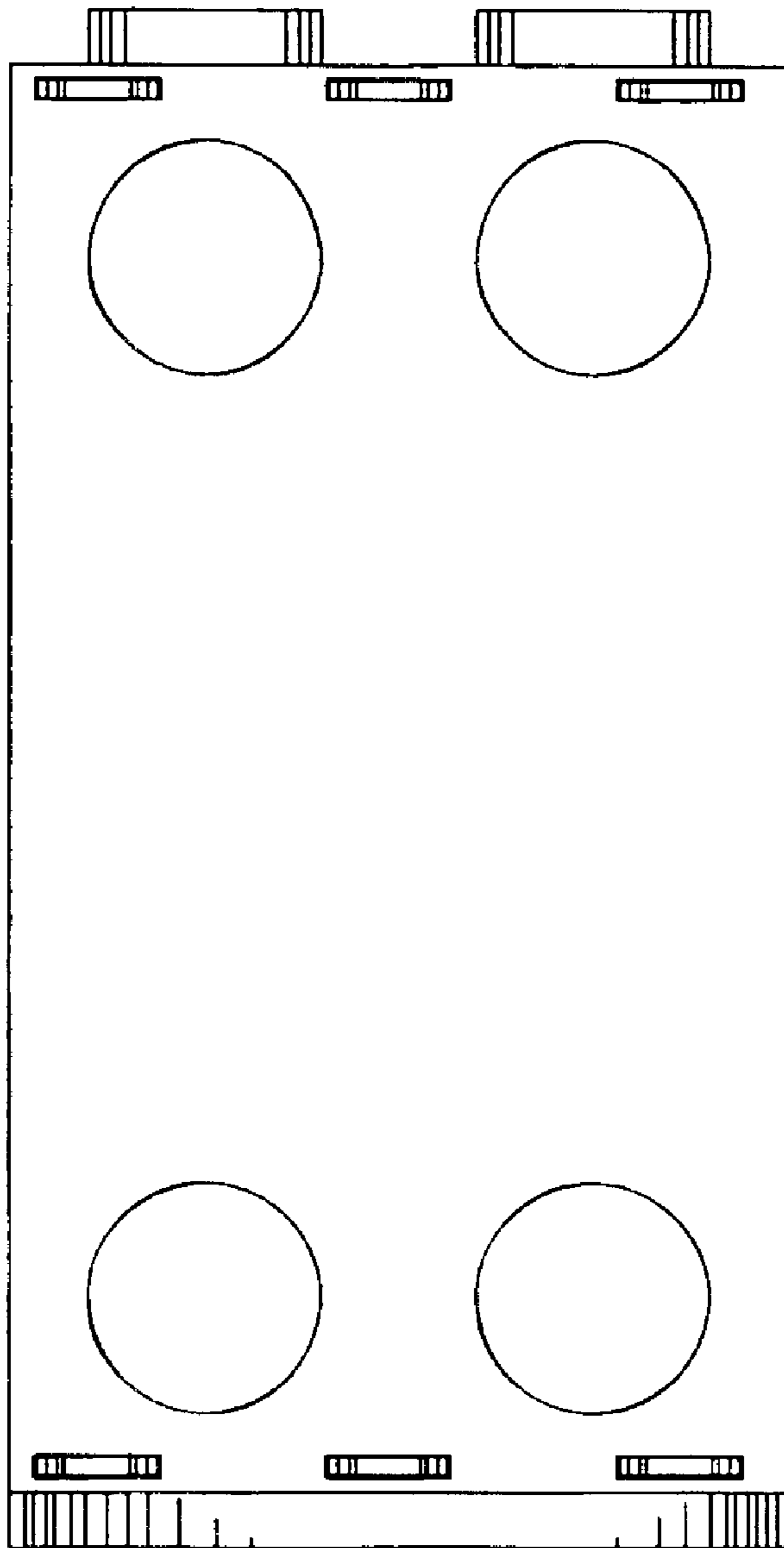


FIG. 5

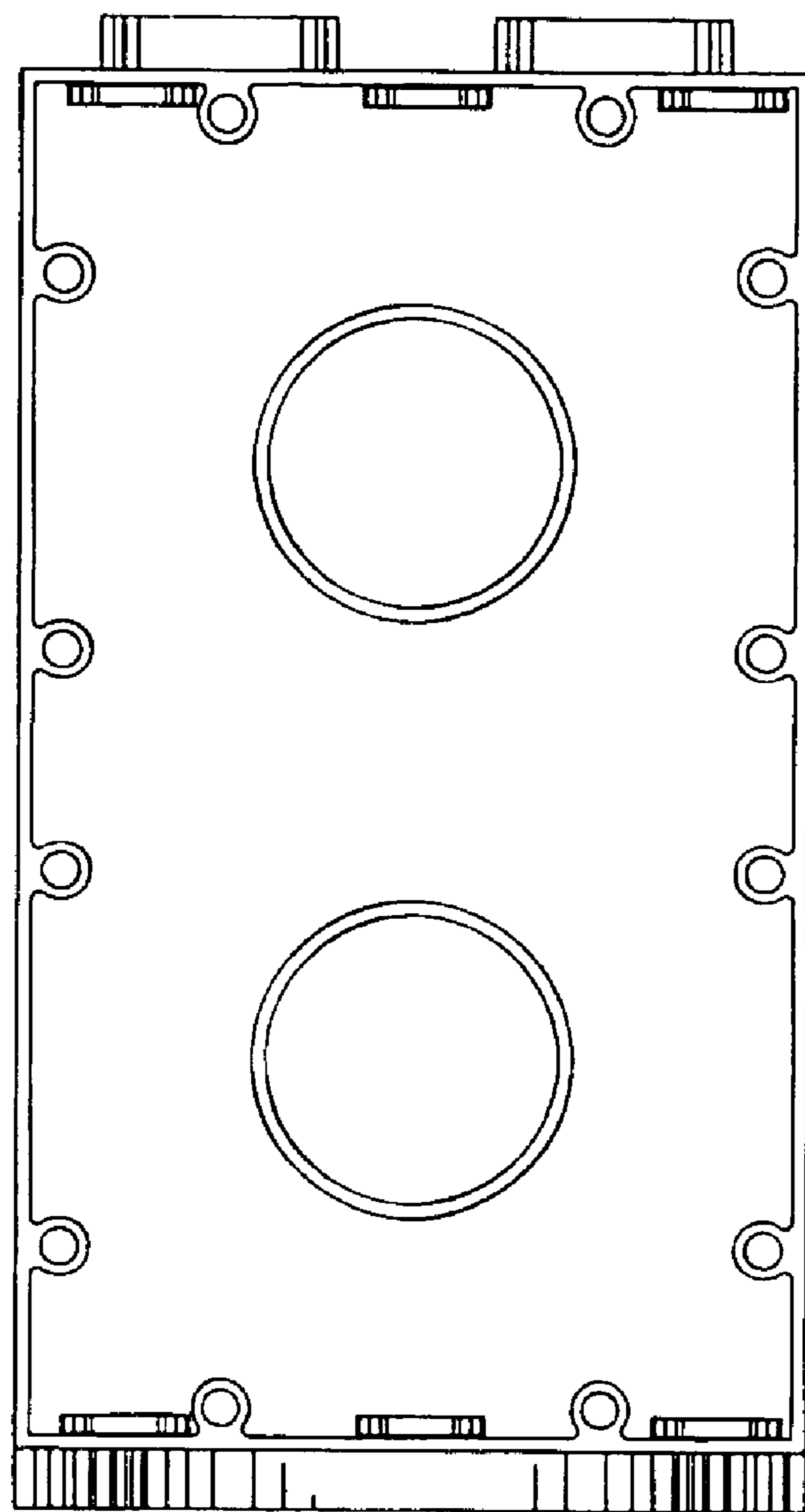


FIG. 6

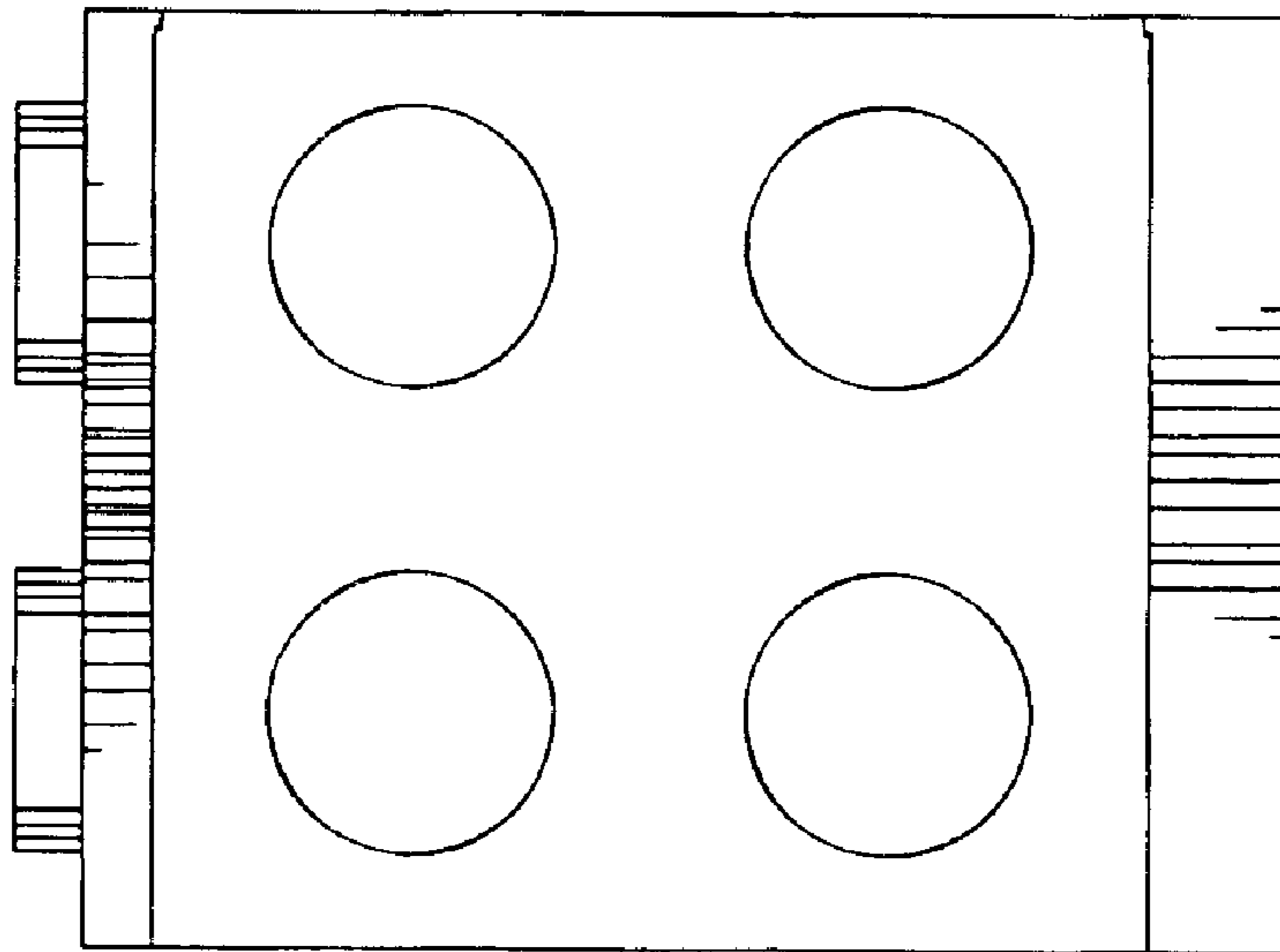


FIG. 7

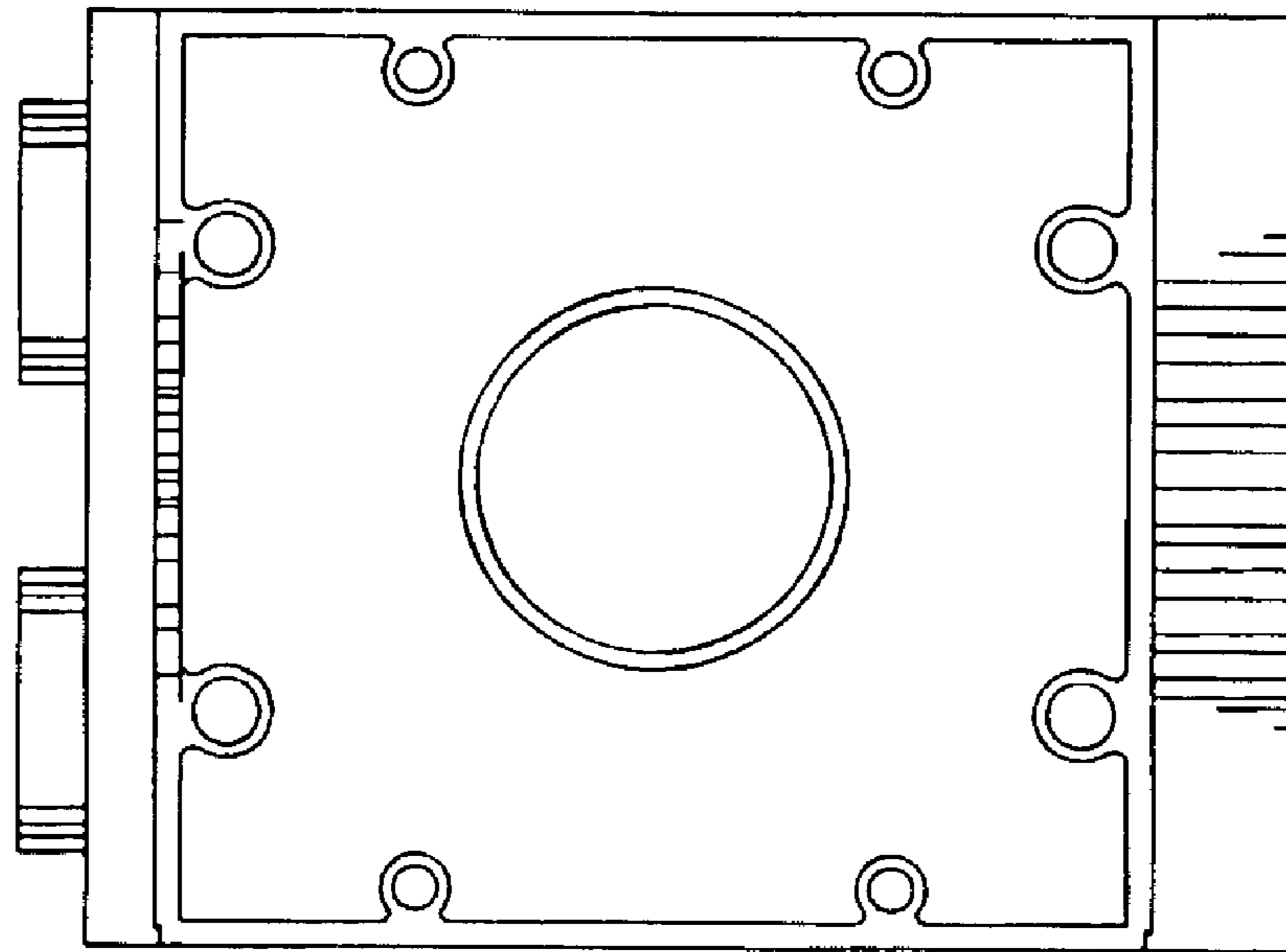


FIG. 8

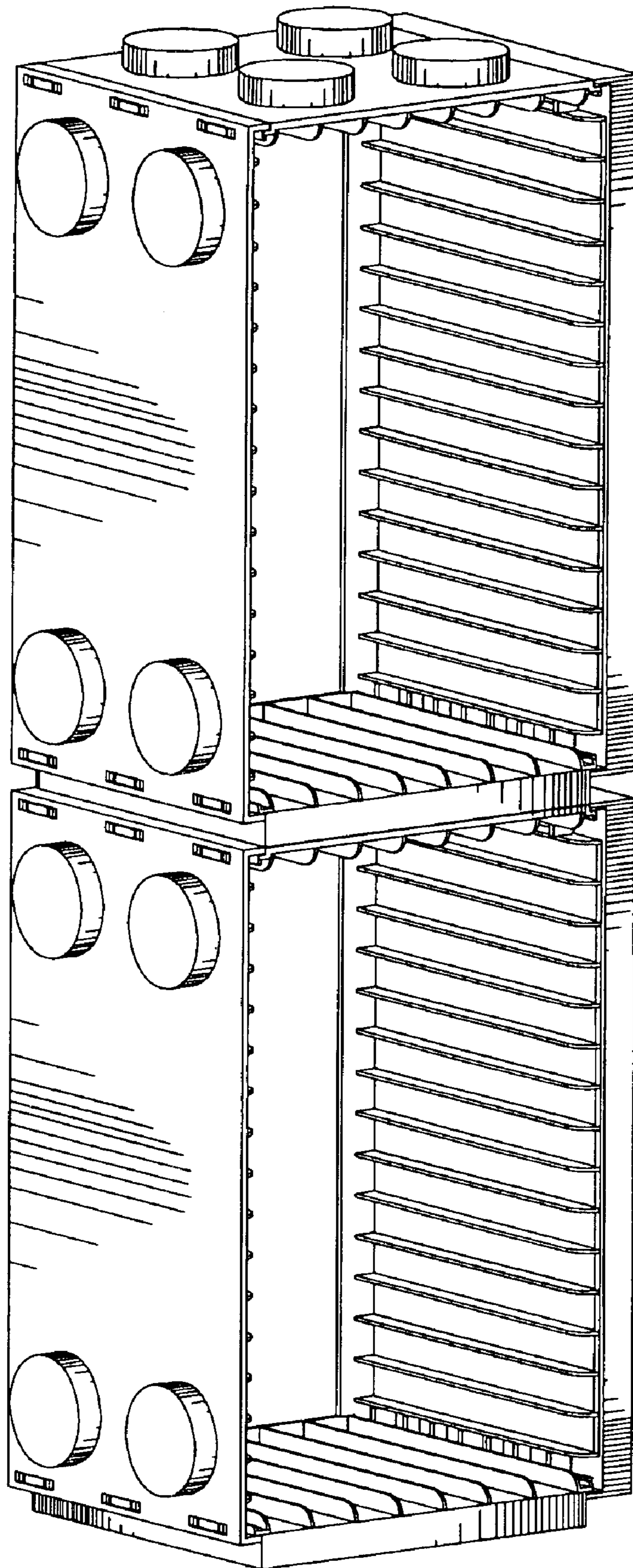


FIG. 9

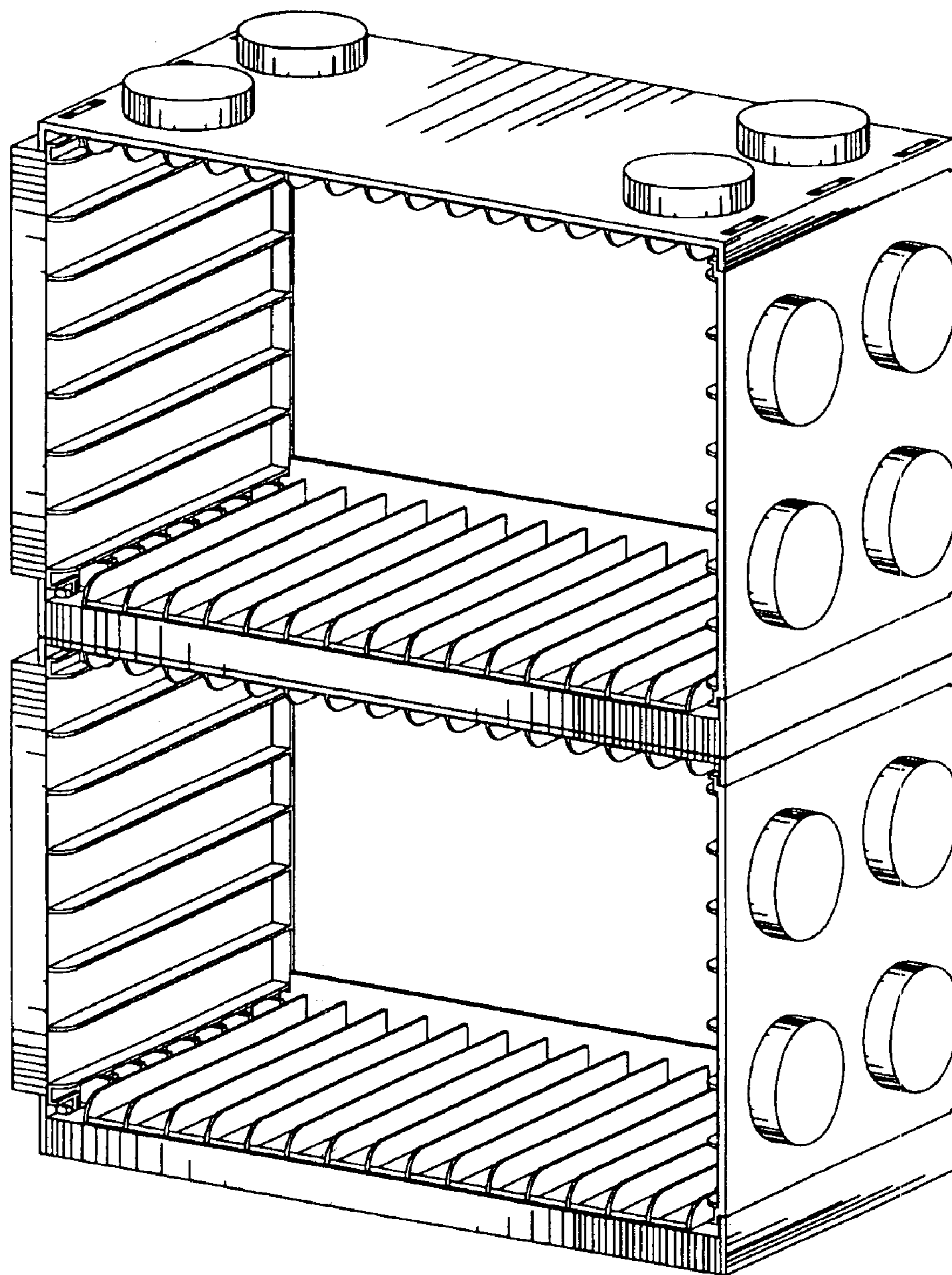


FIG. 10

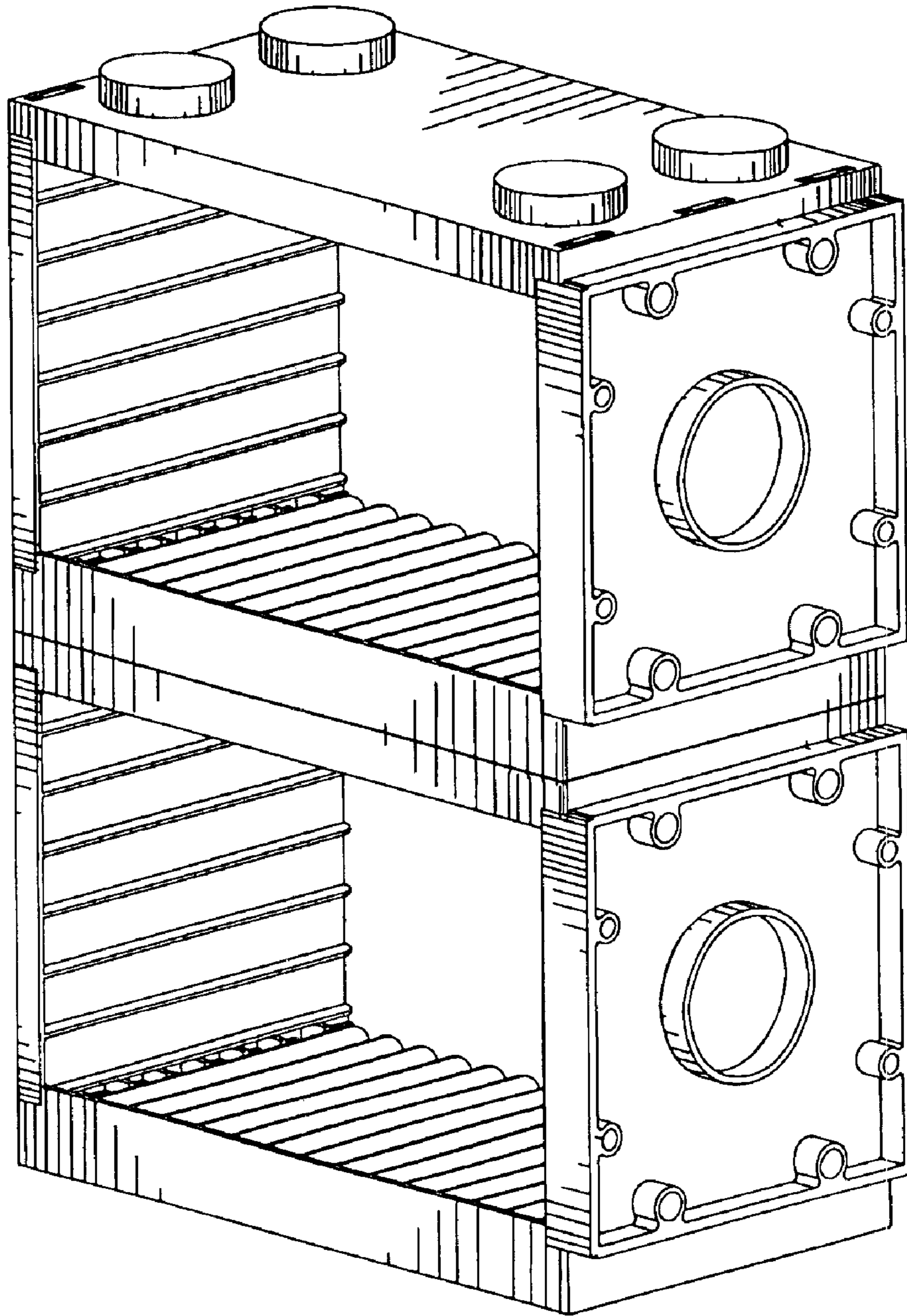


FIG. 11

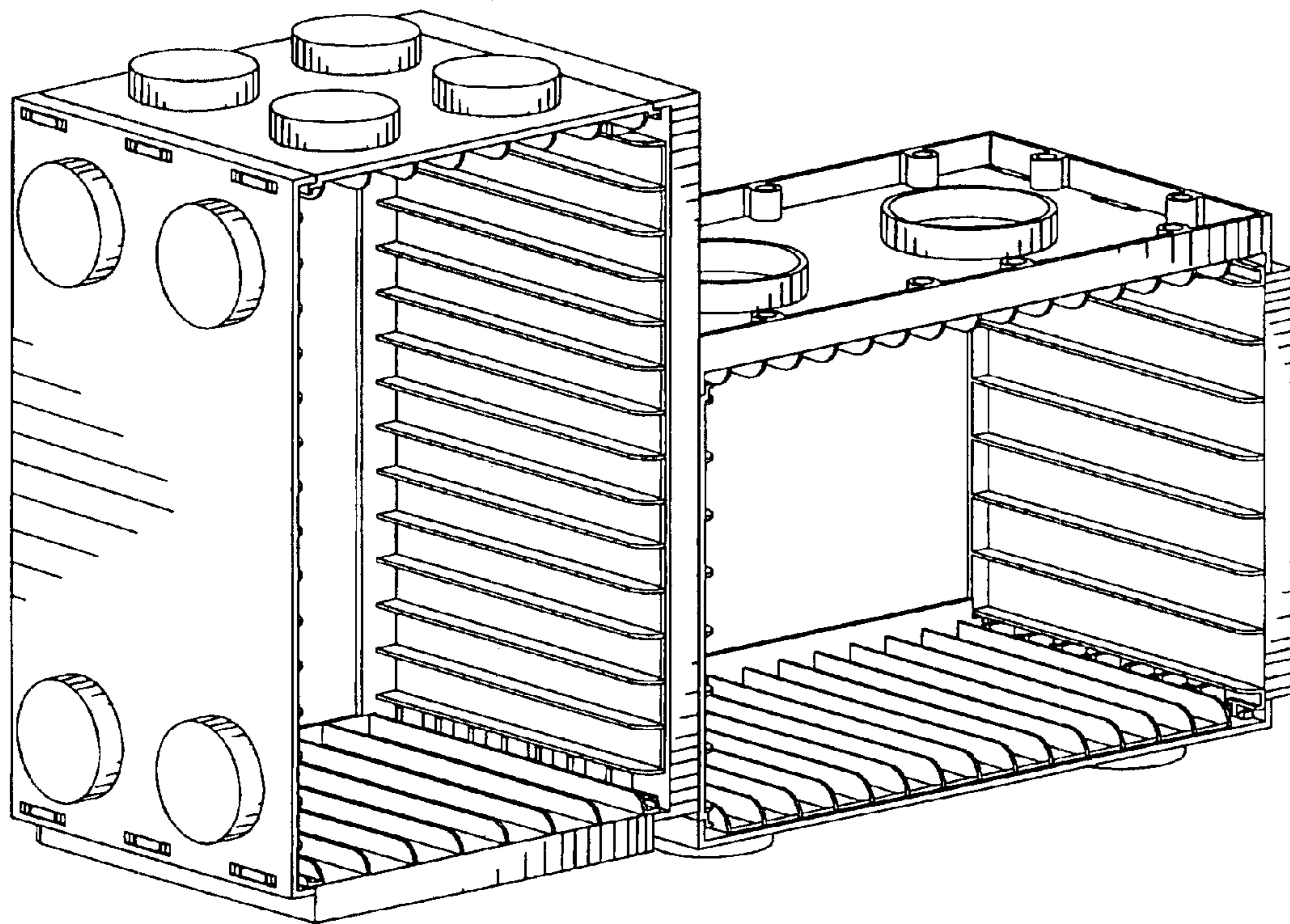


FIG. 12