



US00D528839S

(12) **United States Design Patent**
Kirar

(10) **Patent No.:** **US D528,839 S**

(45) **Date of Patent:** **** Sep. 26, 2006**

(54) **SUPPORT**

(75) Inventor: **Laura K. Kirar**, New York, NY (US)

(73) Assignee: **Kohler Co.**, Kohler, WI (US)

(**) Term: **14 Years**

(21) Appl. No.: **29/229,232**

(22) Filed: **May 4, 2005**

(51) **LOC (8) Cl.** **06-04**

(52) **U.S. Cl.** **D6/550**

(58) **Field of Classification Search** D6/546-550,
D6/518-523; D8/300, 303, 315-321, 349,
D8/354, 363, 373, 380; 108/28-29; 211/13.1,
211/16, 60.1, 100, 86.01, 87.01, 88.01, 88.04,
211/105.1-105.2, 123, 182, 181.1; 248/175,
248/176.1, 251, 302, 309.1; 16/110.1, 412,
16/415; 242/570, 590, 595-598

See application file for complete search history.

(56) **References Cited**

U.S. PATENT DOCUMENTS

D400,381 S	*	11/1998	Solowiej et al.	D6/550
D409,032 S	*	5/1999	Kuo	D6/550
D449,952 S	*	11/2001	Lyndon	D6/549
D451,739 S	*	12/2001	Yeh	D6/550
D454,742 S	*	3/2002	Meck et al.	D6/549
D459,128 S	*	6/2002	Meck et al.	D6/523
D463,935 S	*	10/2002	Zhao	D6/549
D476,181 S	*	6/2003	Yeh	D6/524
D492,530 S	*	7/2004	Chen	D6/549

OTHER PUBLICATIONS

Website page for Ira Wood & Sons, Inc., KWC QBIX Spare Toilet Paper Holder Chrome, Aug. 1, 2005.

Website page for Littman Bros., showing a toilet paper holder, Aug. 1, 2005.

Jado catalog page, Perland, showing handle with gear-like ornamentation.

* cited by examiner

Primary Examiner—Brian N Vinson

(74) *Attorney, Agent, or Firm*—Quarles & Brady LLP

(57) **CLAIM**

The ornamental design for a support, as shown and described.

DESCRIPTION

In a preferred embodiment, the nature of this product is a wall mountable support, such as could be used as a tissue holder.

FIG. 1 is a left, top, front perspective view of a support according to my new design;

FIG. 2 is a front elevational view thereof;

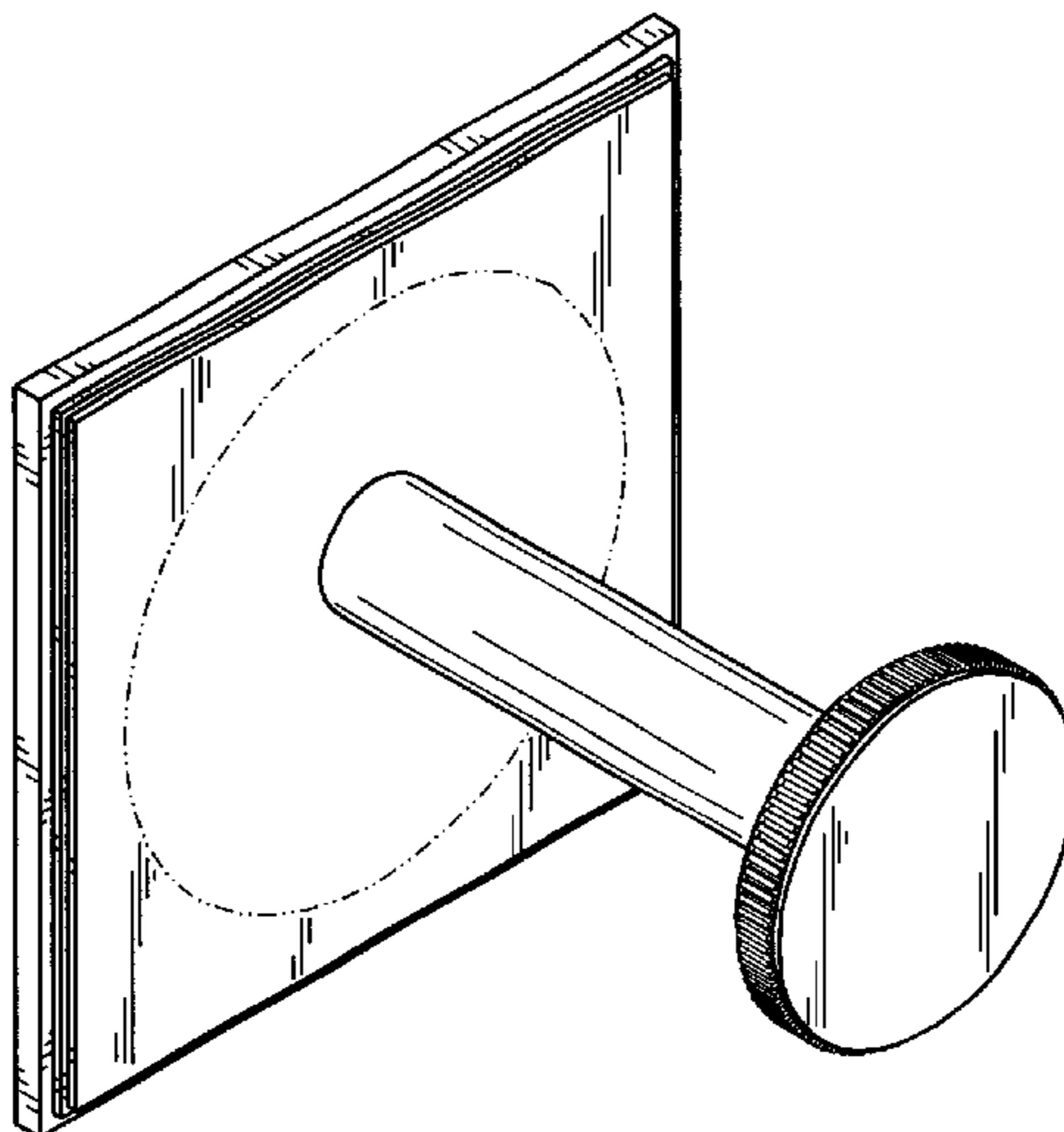
FIG. 3 is a left side elevational view thereof, the right side elevational view thereof being a mirror image of the side shown;

FIG. 4 is a top plan view thereof, the bottom plan view thereof being a mirror image of the top view shown; and,

FIG. 5 is a rear elevational view thereof.

The broken line representations of a circular dished area in FIGS. 1 and 2 and of rear mounting structure in FIG. 5 are for the purpose of illustration only, and form no part of the claimed design.

1 Claim, 3 Drawing Sheets



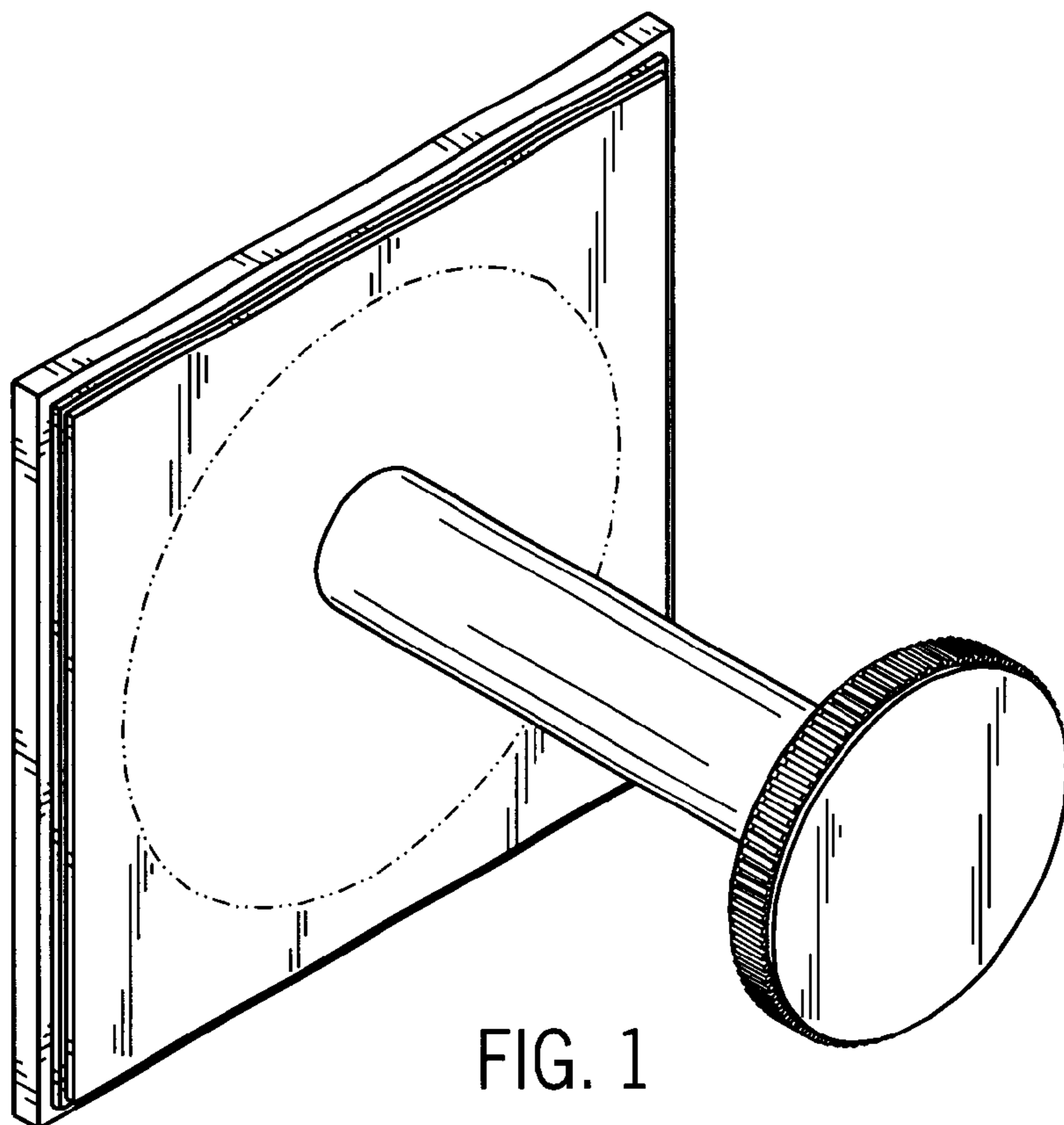


FIG. 1

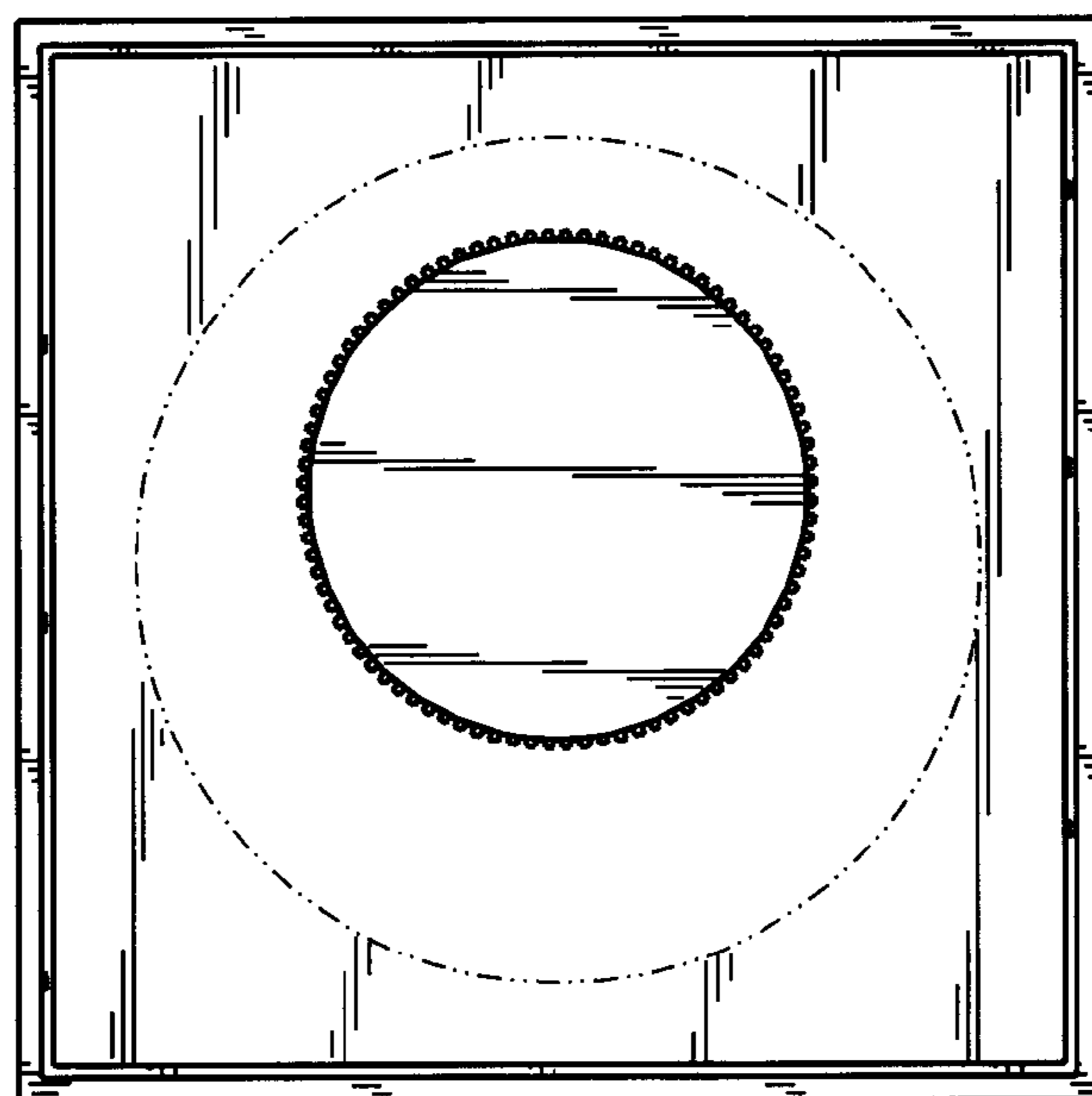


FIG. 2

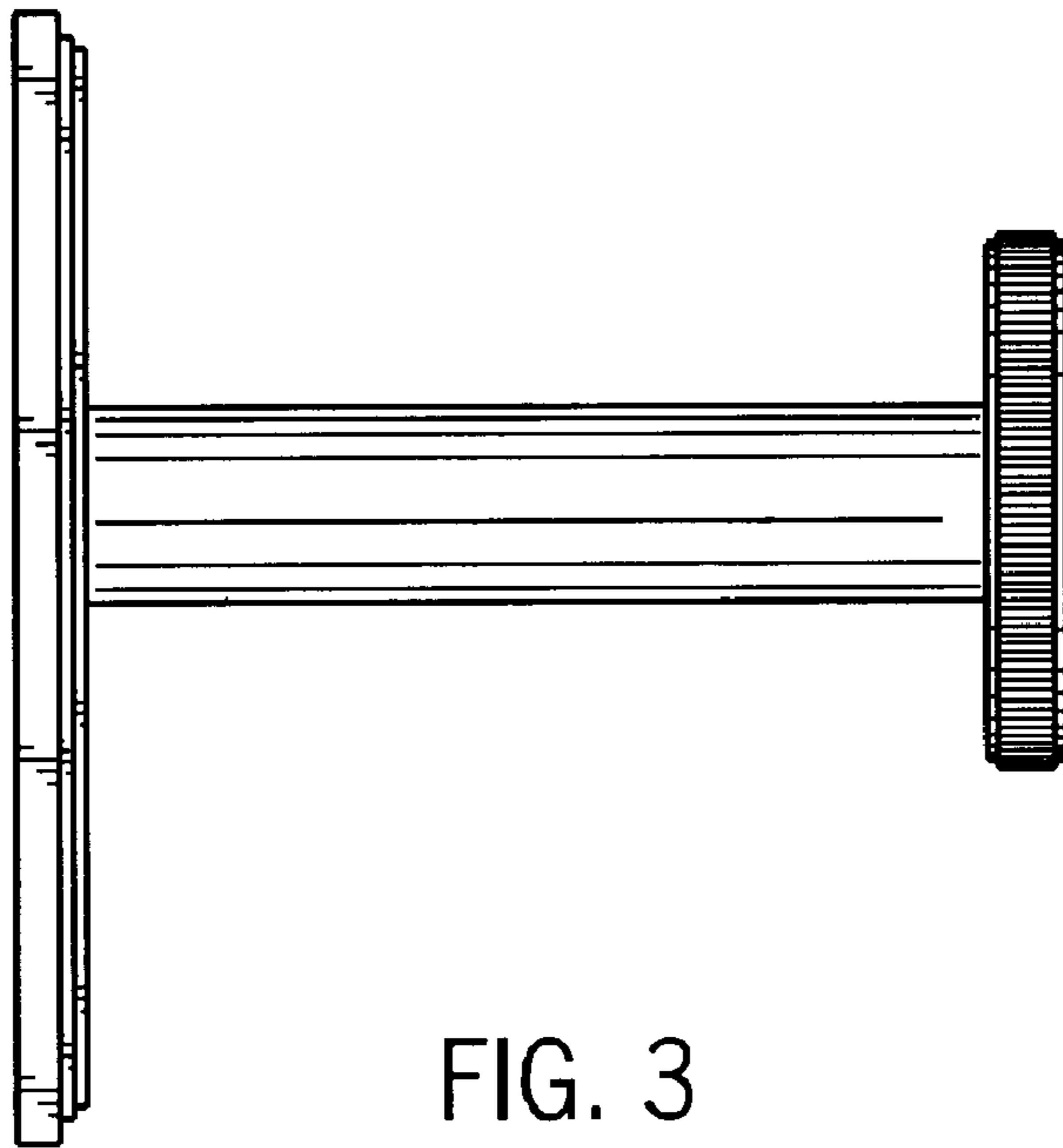


FIG. 3

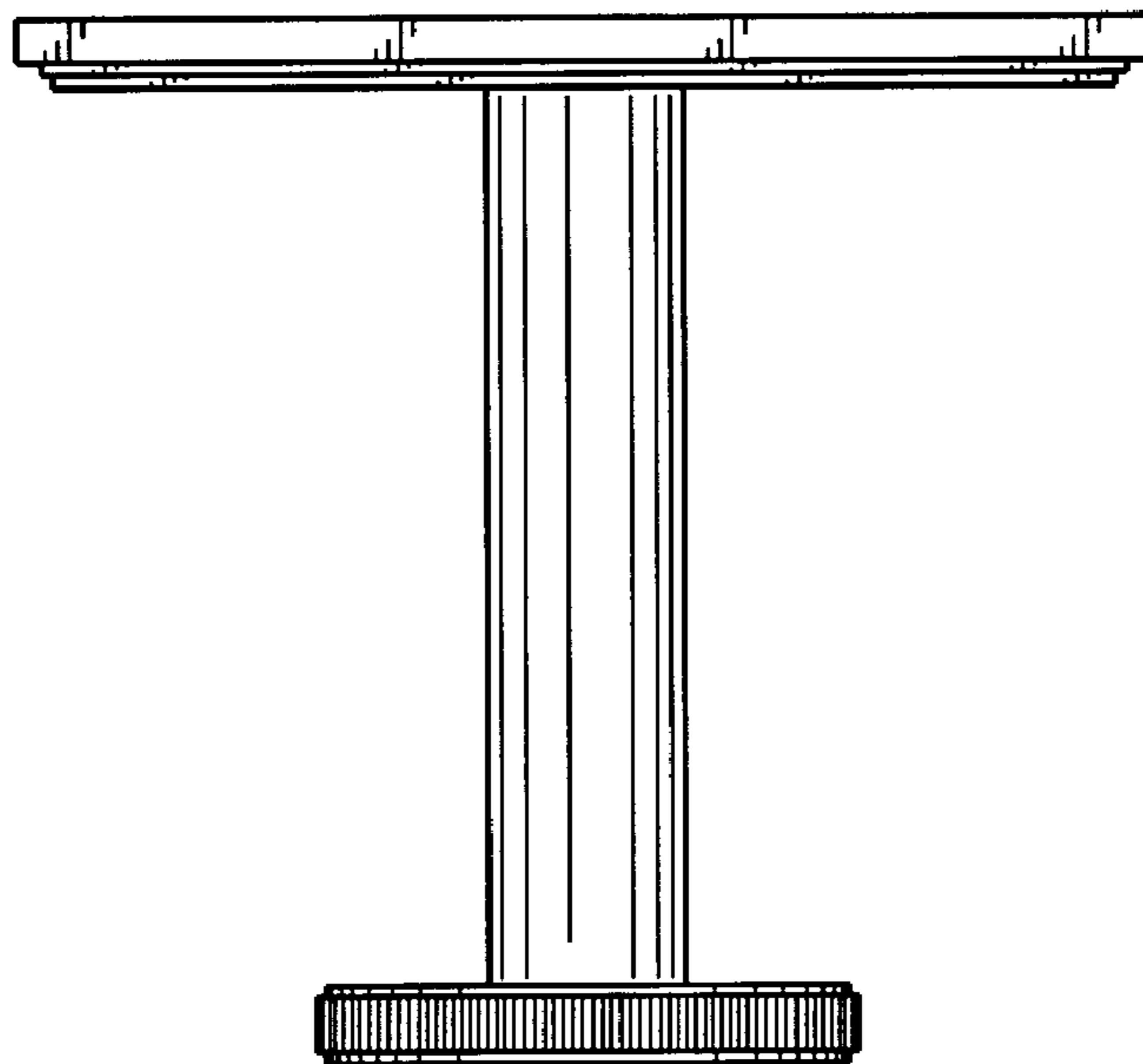


FIG. 4

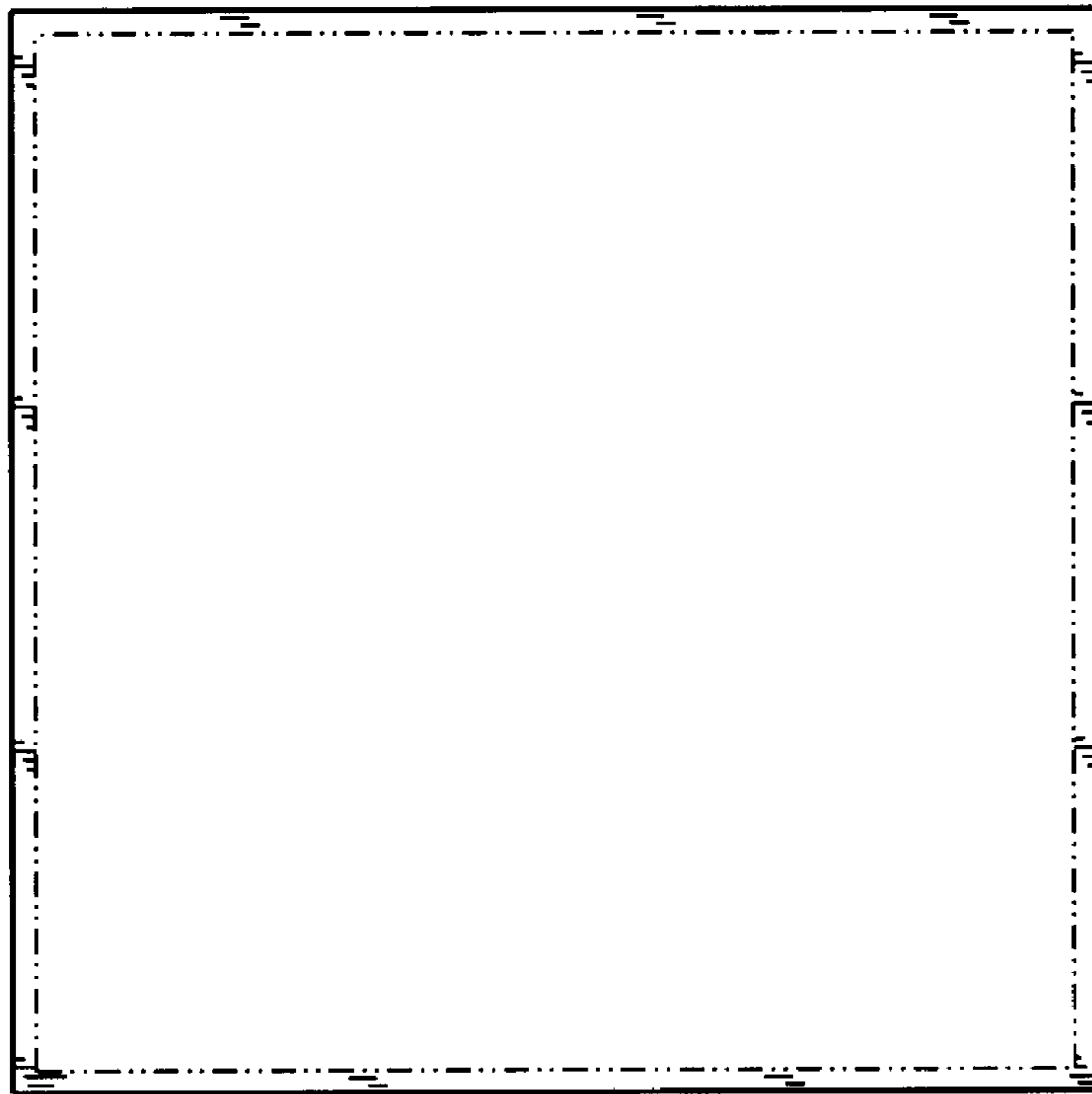


FIG. 5