



US00D528838S

(12) **United States Design Patent** (10) **Patent No.:** **US D528,838 S**
Berberet et al. (45) **Date of Patent:** **** Sep. 26, 2006**

(54) **FITTING ESCUTCHEON**

(75) Inventors: **Suzanne M. Berberet**, Sheboygan, WI (US); **Stephen G. Murray**, Bethlehem, CT (US)

(73) Assignee: **Kohler Co.**, Kohler, WI (US)

(**) Term: **14 Years**

(21) Appl. No.: **29/226,331**

(22) Filed: **Mar. 28, 2005**

(51) **LOC (8) Cl.** **06-04**

(52) **U.S. Cl.** **D6/550**

(58) **Field of Classification Search** D6/546-550, D6/518-523; D8/300, 303, 315-321, 349, D8/354, 363, 373, 380; 108/28-29; 211/13.1, 211/16, 60.1, 100, 86.01, 87.01, 88.01, 88.04, 211/105.1-105.2, 123, 182, 181.1; 248/175, 248/176.1, 251, 302, 309.1; 16/110.1, 412, 16/415; 242/570, 590, 595-598

See application file for complete search history.

(56) **References Cited**

U.S. PATENT DOCUMENTS

D400,381 S * 11/1998 Solowiej et al. D6/550

(Continued)

OTHER PUBLICATIONS

Website print-out showing, Moen Ambria, dated Dec. 17, 2004.

(Continued)

Primary Examiner—Brian N Vinson

(74) *Attorney, Agent, or Firm*—Quarles & Brady LLP

(57) **CLAIM**

The ornamental design for a fitting escutcheon, as shown and described.

DESCRIPTION

In a preferred embodiment, the nature of this product is a fitting escutcheon for a robe hook, a towel ring, a toilet paper holder, a single rung towel bar, a double rung towel bar, or the like.

FIG. 1 is a left, top, front perspective view of a fitting escutcheon according to our new design;

FIG. 2 is a left side elevational view thereof, the right side elevational view being a mirror image the left side shown, the top and bottom plan views thereof being identical to the view shown albeit oriented 90° clockwise and counter-clockwise, respectively;

FIG. 3 is a front elevational view thereof;

FIG. 4 is a rear elevational view thereof;

FIG. 5 is a left, top, front perspective view of a fitting escutcheon according to another embodiment of our new design;

FIG. 6 is a left side elevational view thereof, the right side elevational view being a mirror image the left side shown, the top and bottom plan views thereof being identical to the view shown albeit oriented 90° clockwise and counter-clockwise, respectively;

FIG. 7 is a front elevational view thereof;

FIG. 8 is a rear elevational view thereof;

FIG. 9 is a left, top, front perspective view of the fitting escutcheon of FIG. 1 with ring environment shown in phantom;

FIG. 10 is a left, top, front perspective view of the fitting escutcheon of FIG. 1 with hook environment shown in phantom;

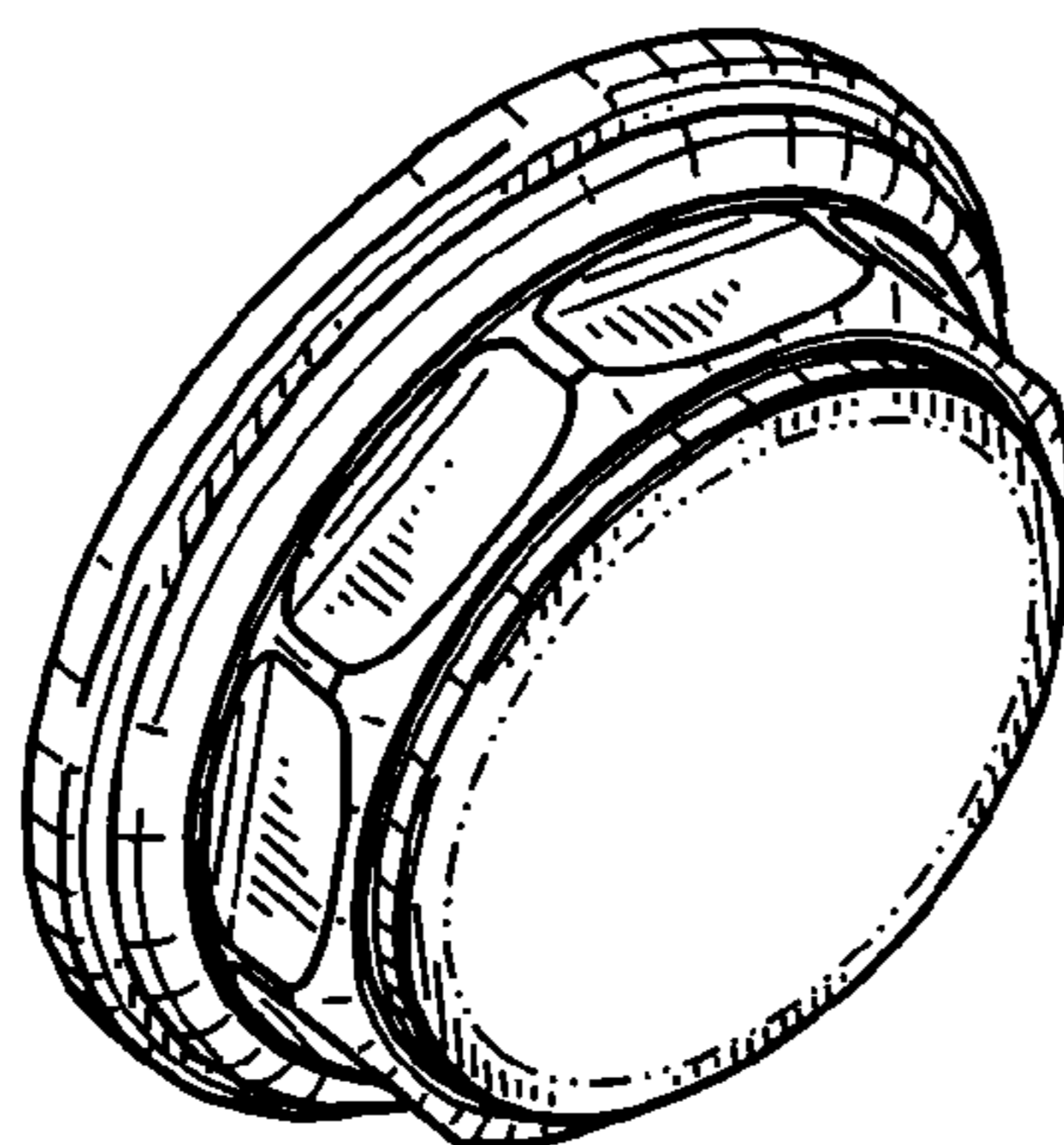
FIG. 11 is a left, top, front perspective view of the fitting escutcheon of FIG. 5 with bar environment shown in phantom;

FIG. 12 is a left, top, front perspective view of the fitting escutcheon of FIG. 5 with bar environment shown in phantom; and,

FIG. 13 is a left, top, front perspective view of the fitting escutcheon of FIG. 5 with double bar environment shown in phantom.

The broken line representations of circular structure or openings in FIGS. 1, 3-5, 7-10, of ring environment in FIG. 9, of hook environment in FIG. 10, and of bar environment in FIGS. 11-13 are for the purpose of illustration only, and form no part of the claimed design.

1 Claim, 6 Drawing Sheets



U.S. PATENT DOCUMENTS

D409,032 S * 5/1999 Kuo D6/550
D449,952 S * 11/2001 Lyndon D6/549
D451,739 S * 12/2001 Yeh D6/550
D454,742 S * 3/2002 Meck et al. D6/549
D459,128 S * 6/2002 Meck et al. D6/523
D463,935 S * 10/2002 Zhao D6/549
D476,181 S * 6/2003 Yeh D6/524
D492,530 S * 7/2004 Chen D6/549

OTHER PUBLICATIONS

Website print-out showing Gatco Marina Collection, dated Dec. 20, 2004.
Website print-out showing Moen Preston Towel Bar Bathroom Accessory, dated Dec. 17, 2004.
Website print-out showing Danze Enfield Accessories, Towel Ring Bathroom Accessory, dated Dec. 17, 2004.
Website print-out showing Kohler Devonshire, Towel Bar Bathroom Accessory, dated Dec. 17, 2004.

* cited by examiner

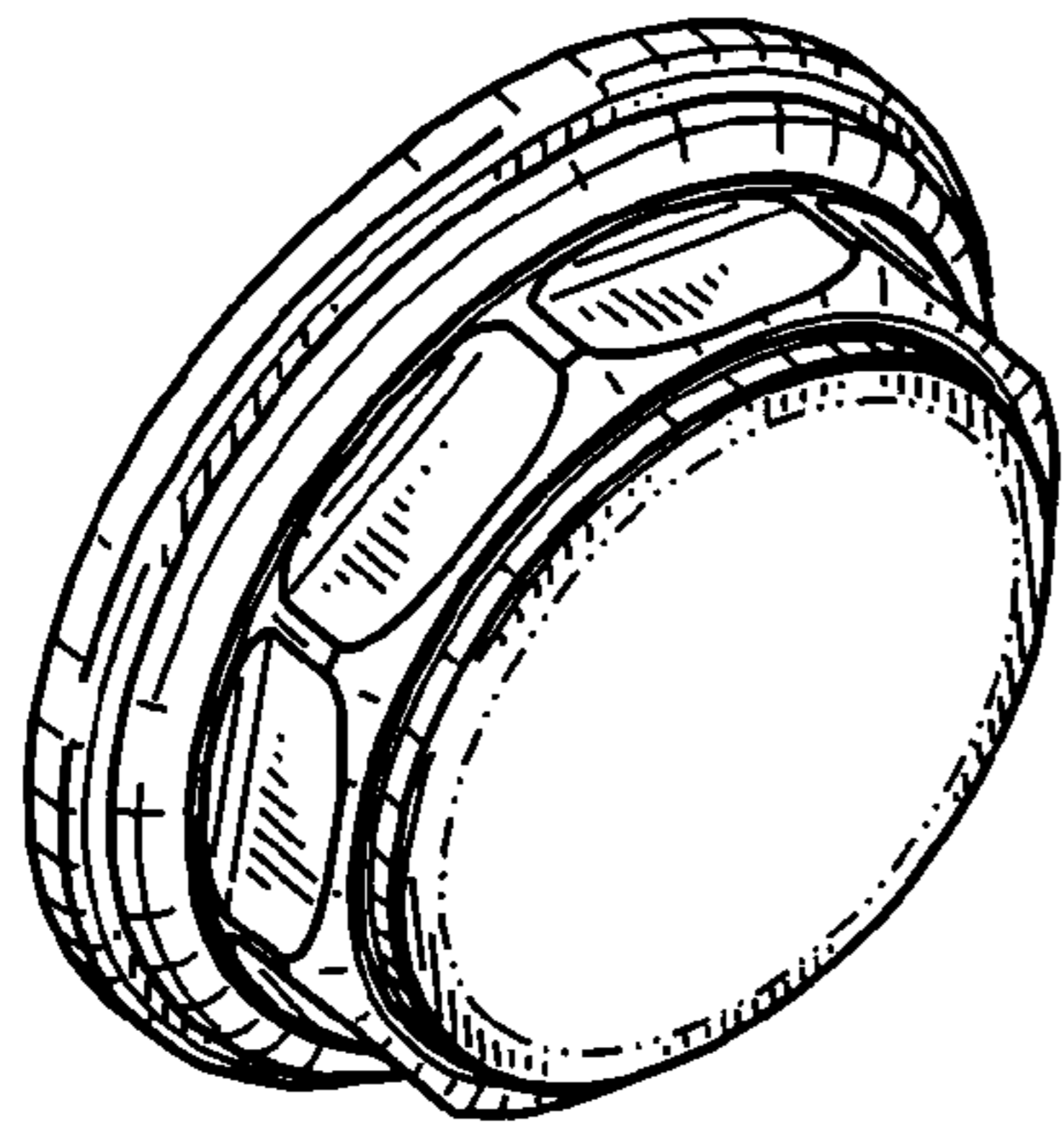


FIG. 1

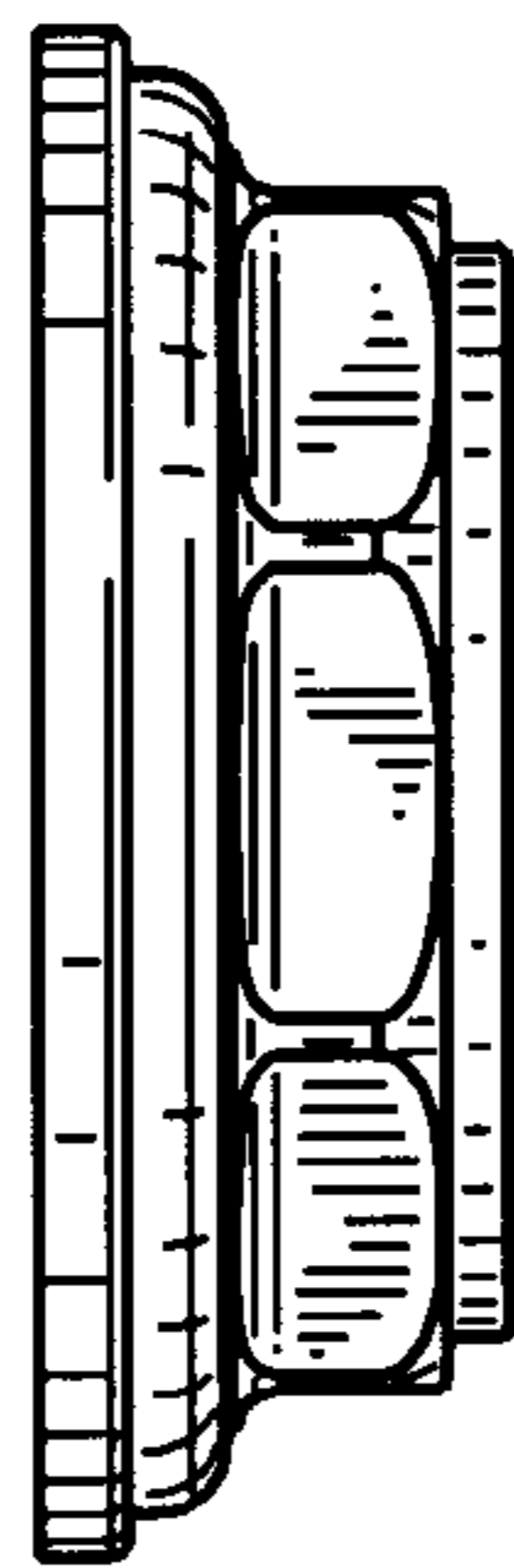


FIG. 2

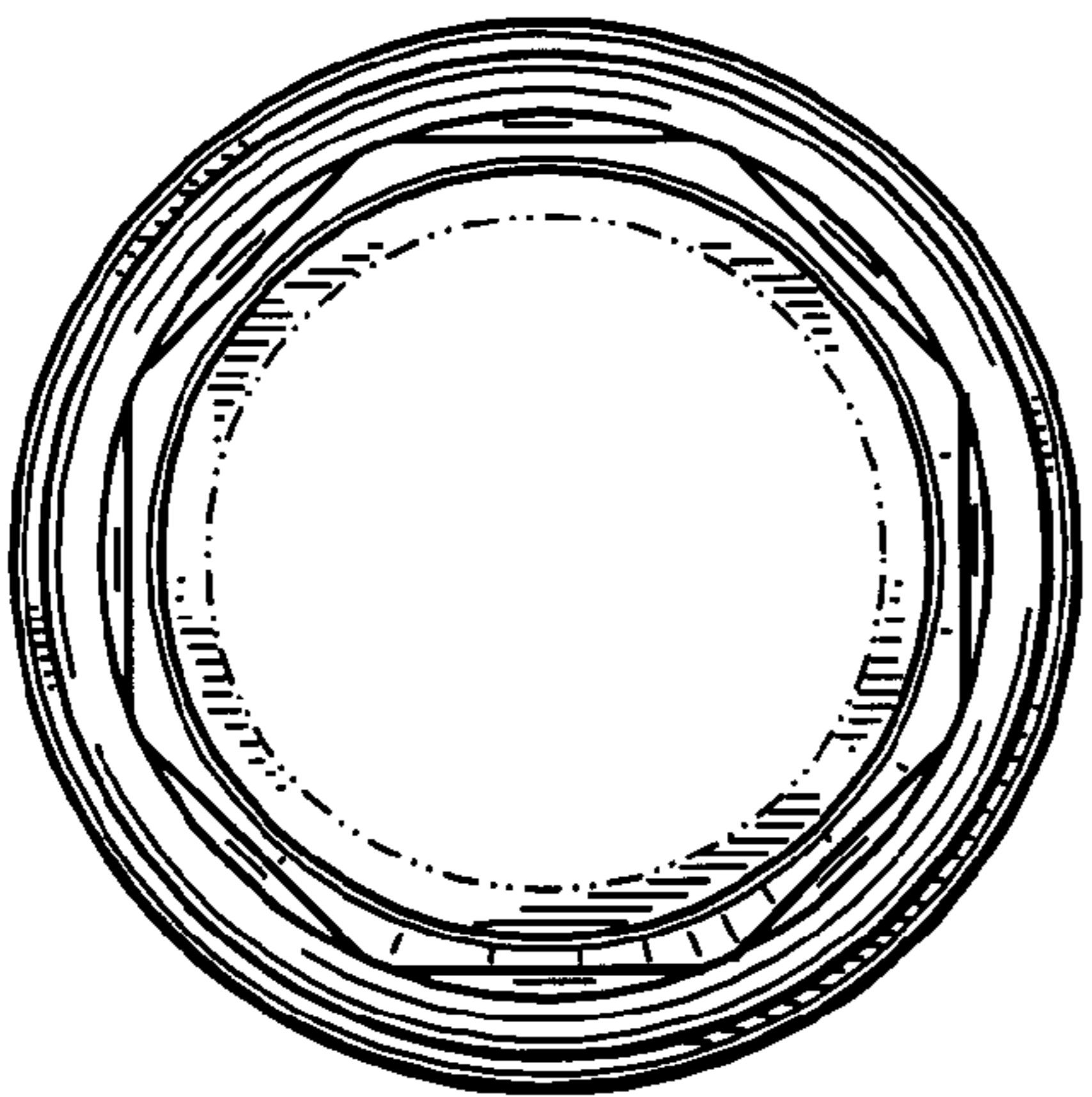


FIG. 3

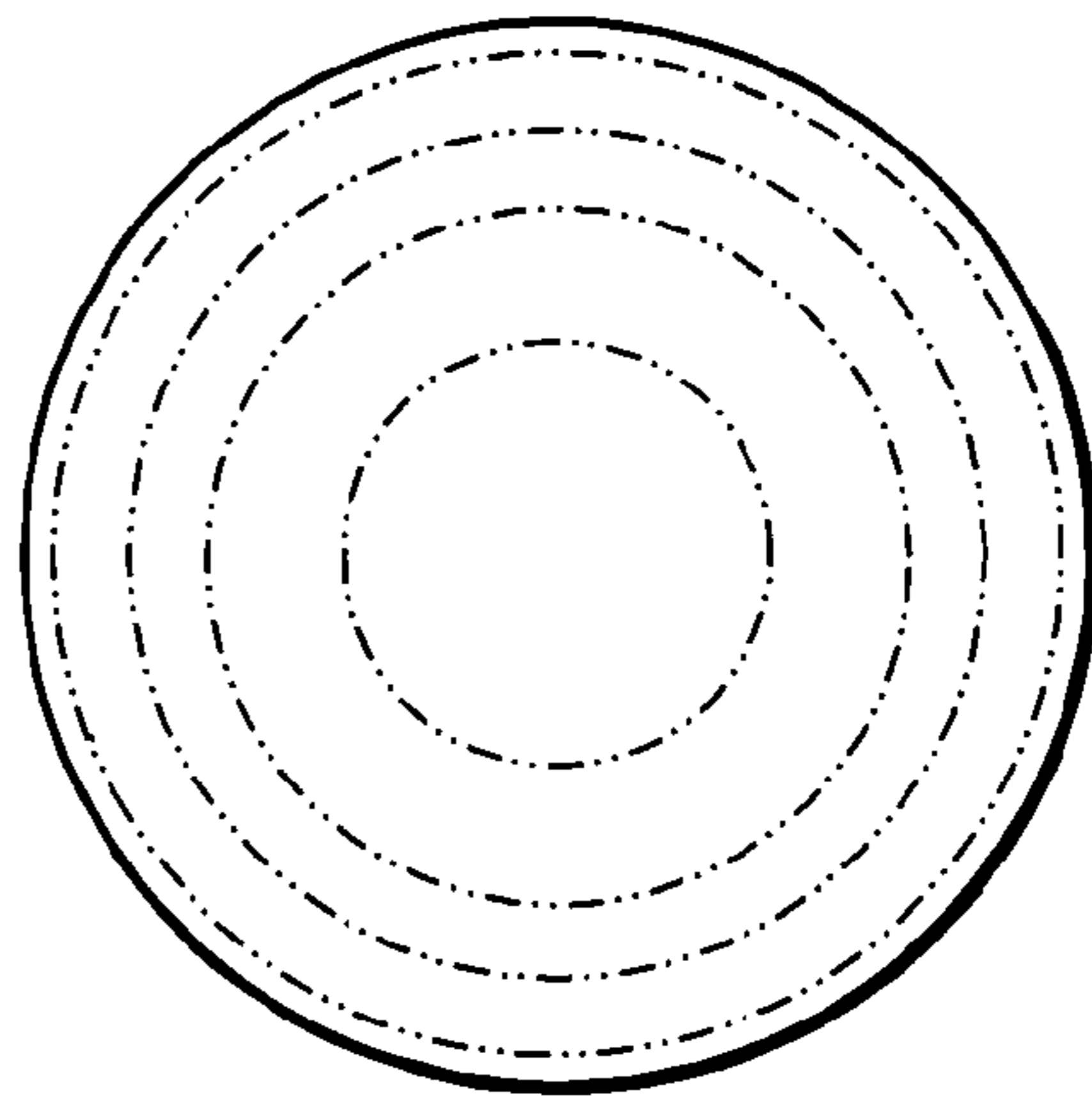


FIG. 4

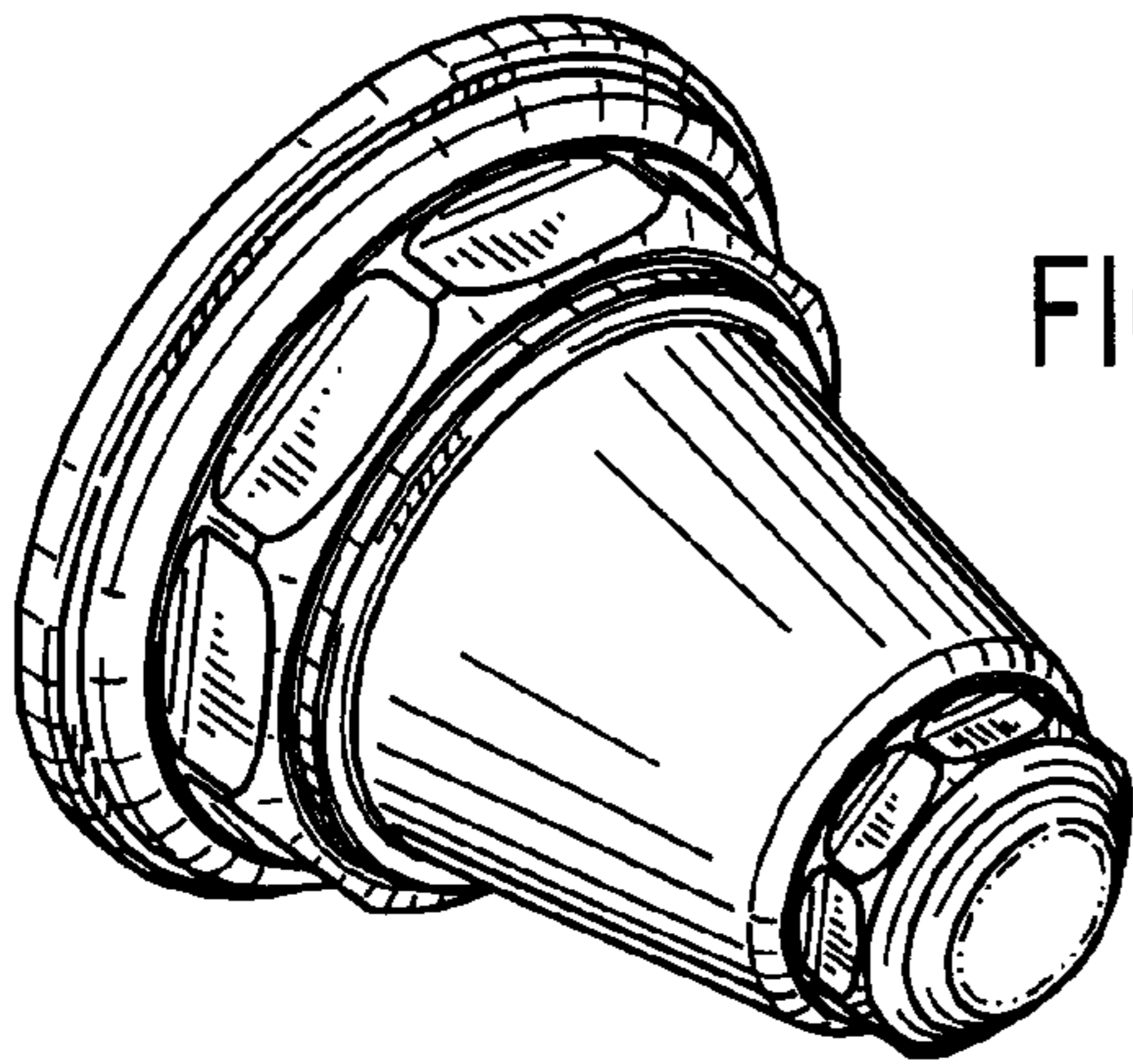


FIG. 5

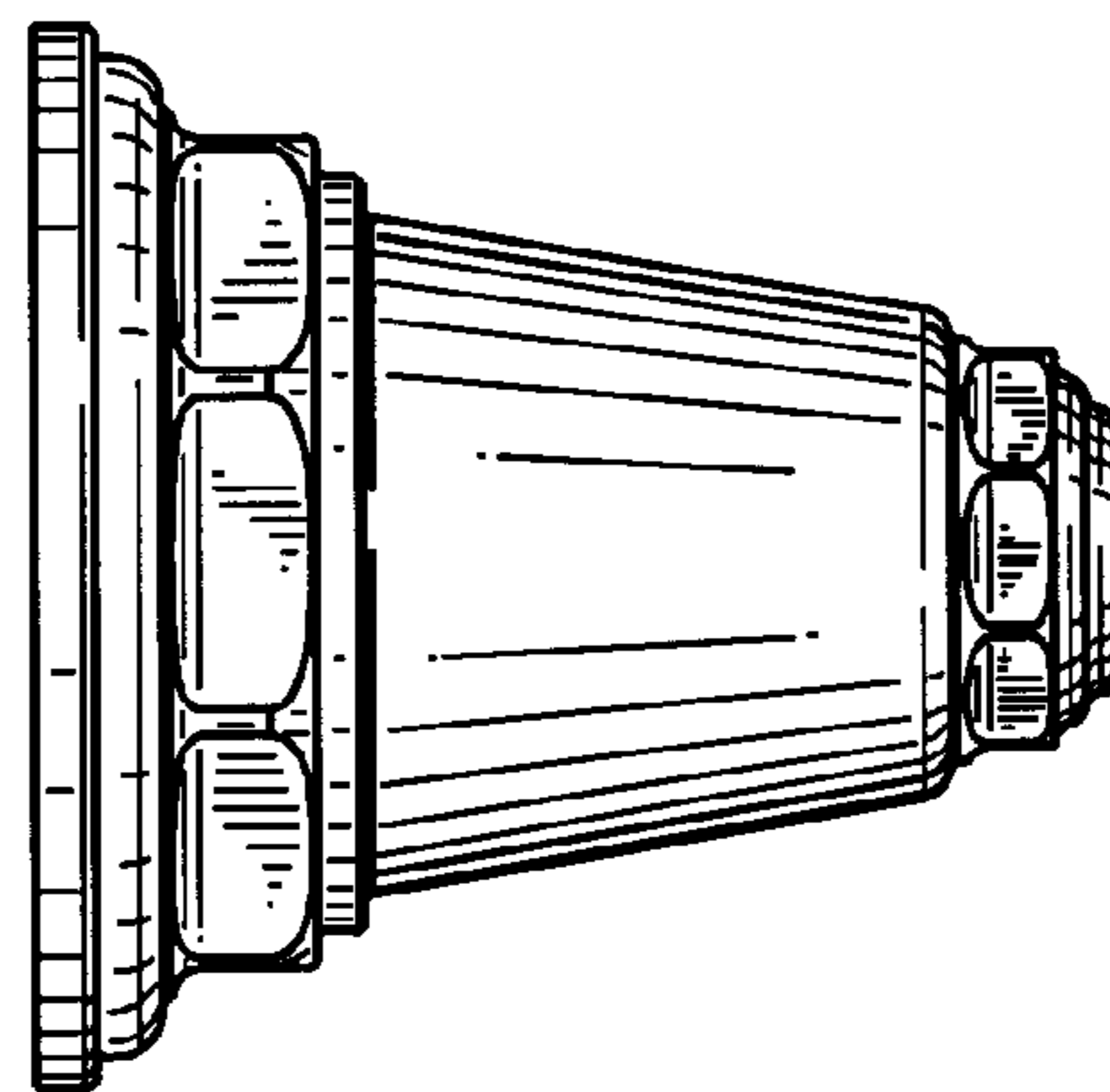


FIG. 6

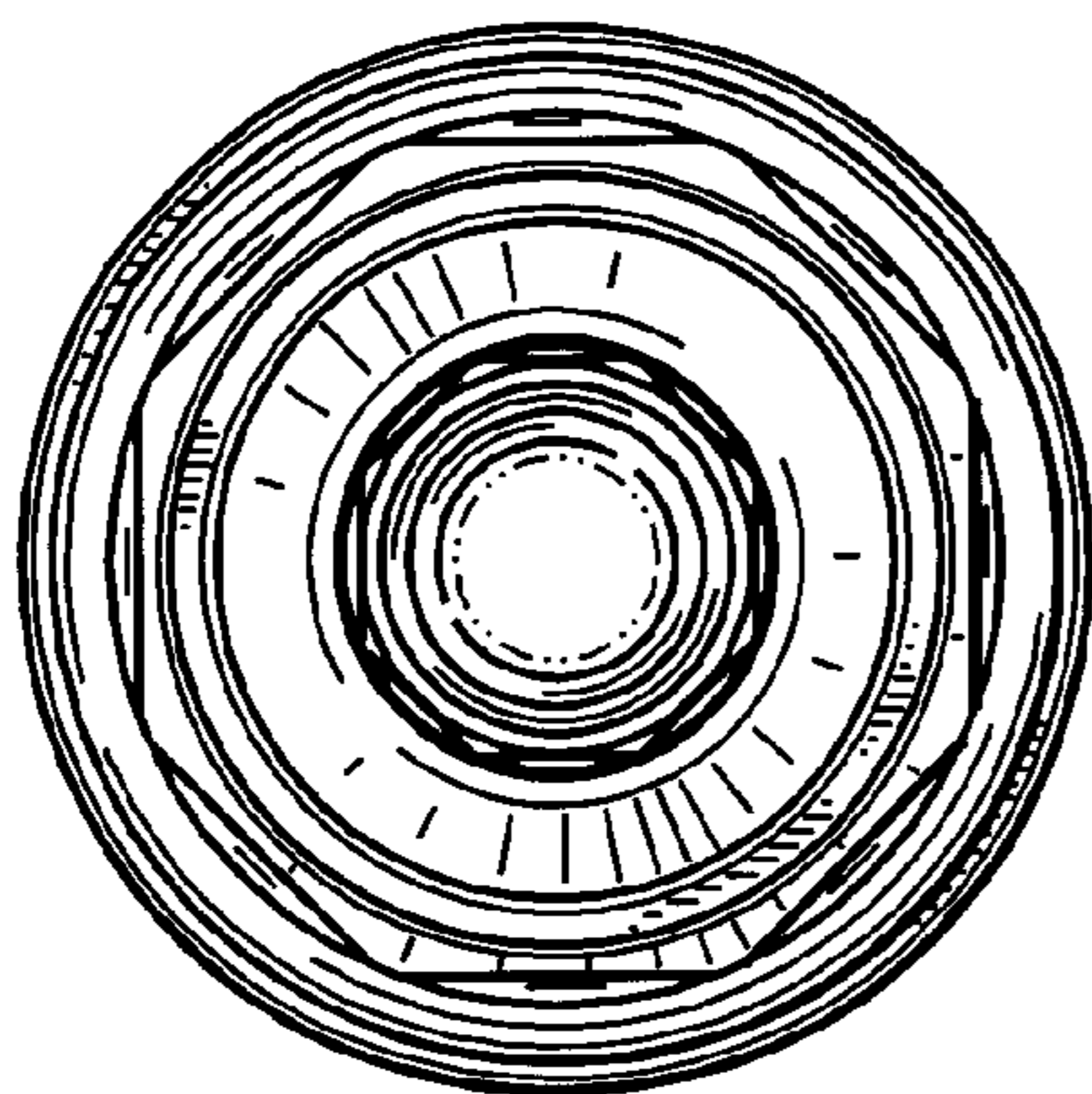


FIG. 7

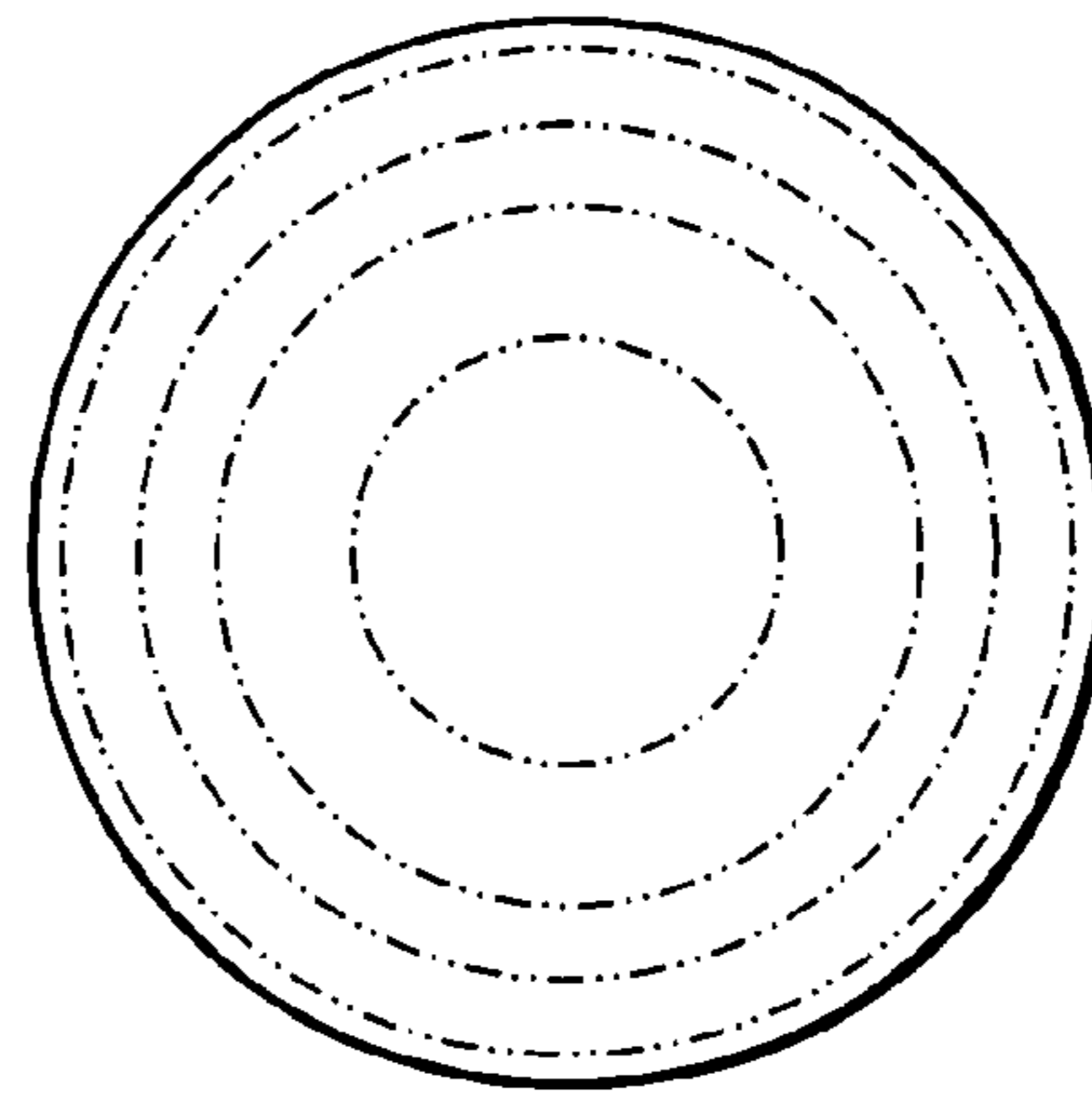


FIG. 8

FIG. 9

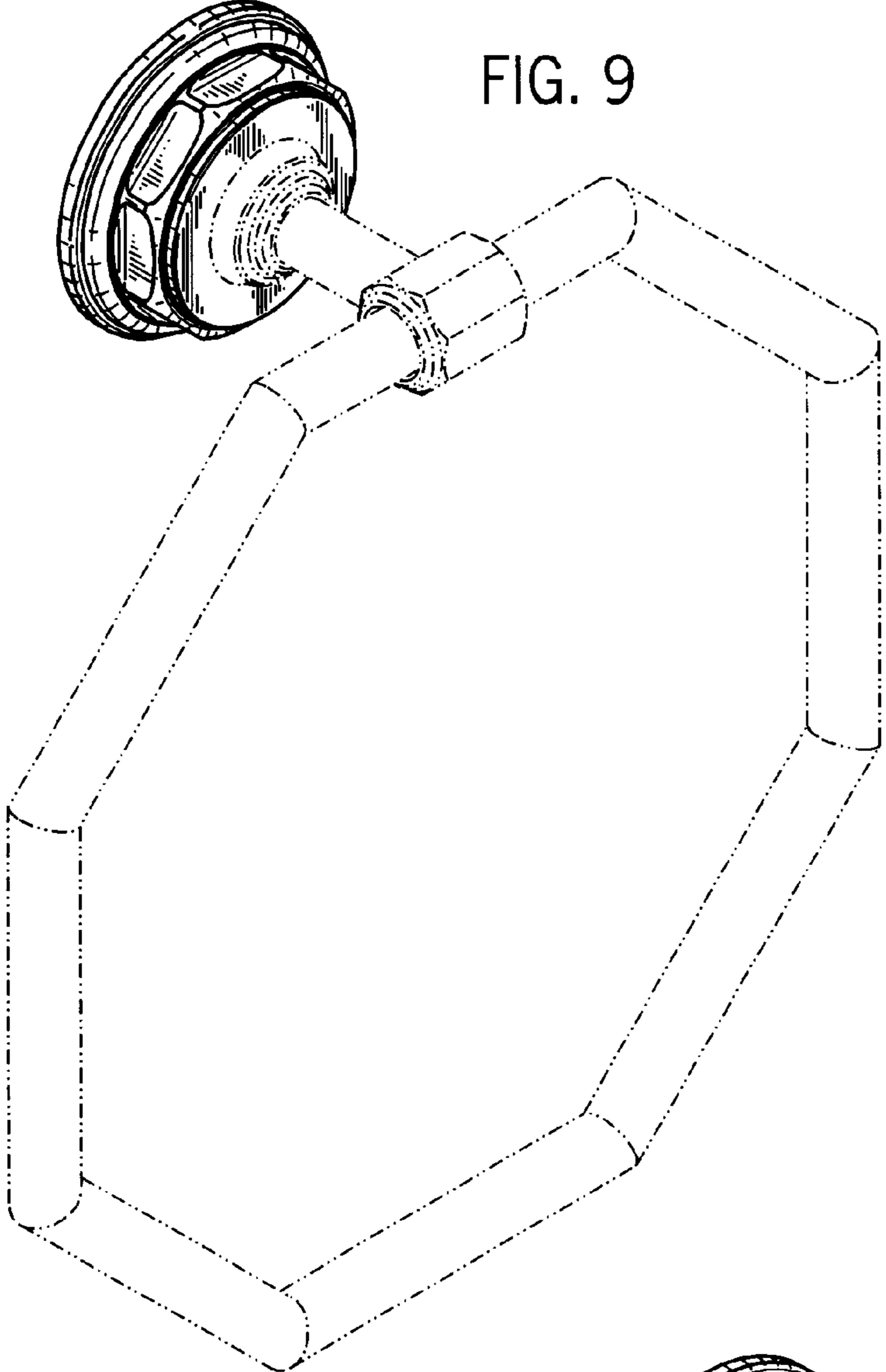
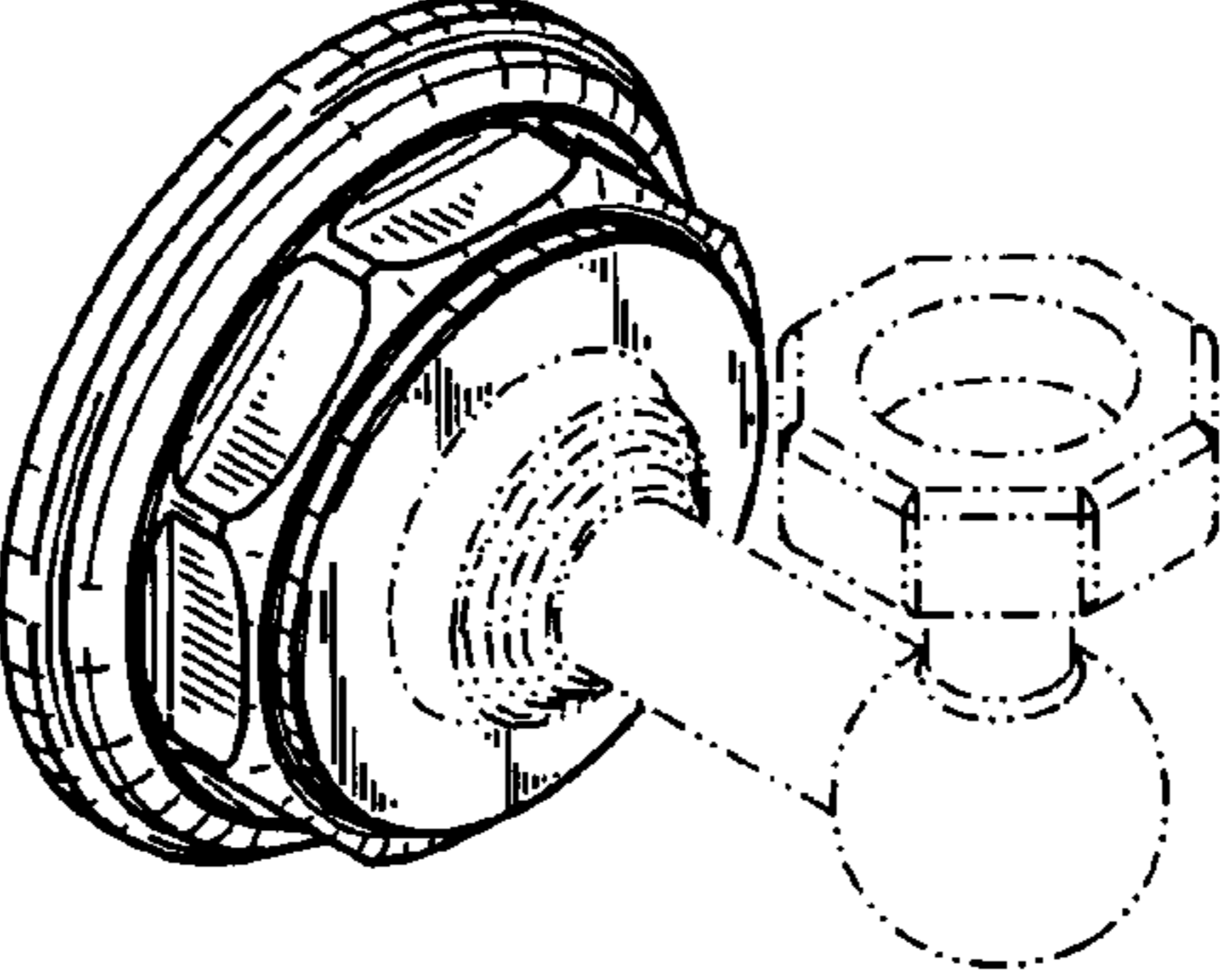


FIG. 10



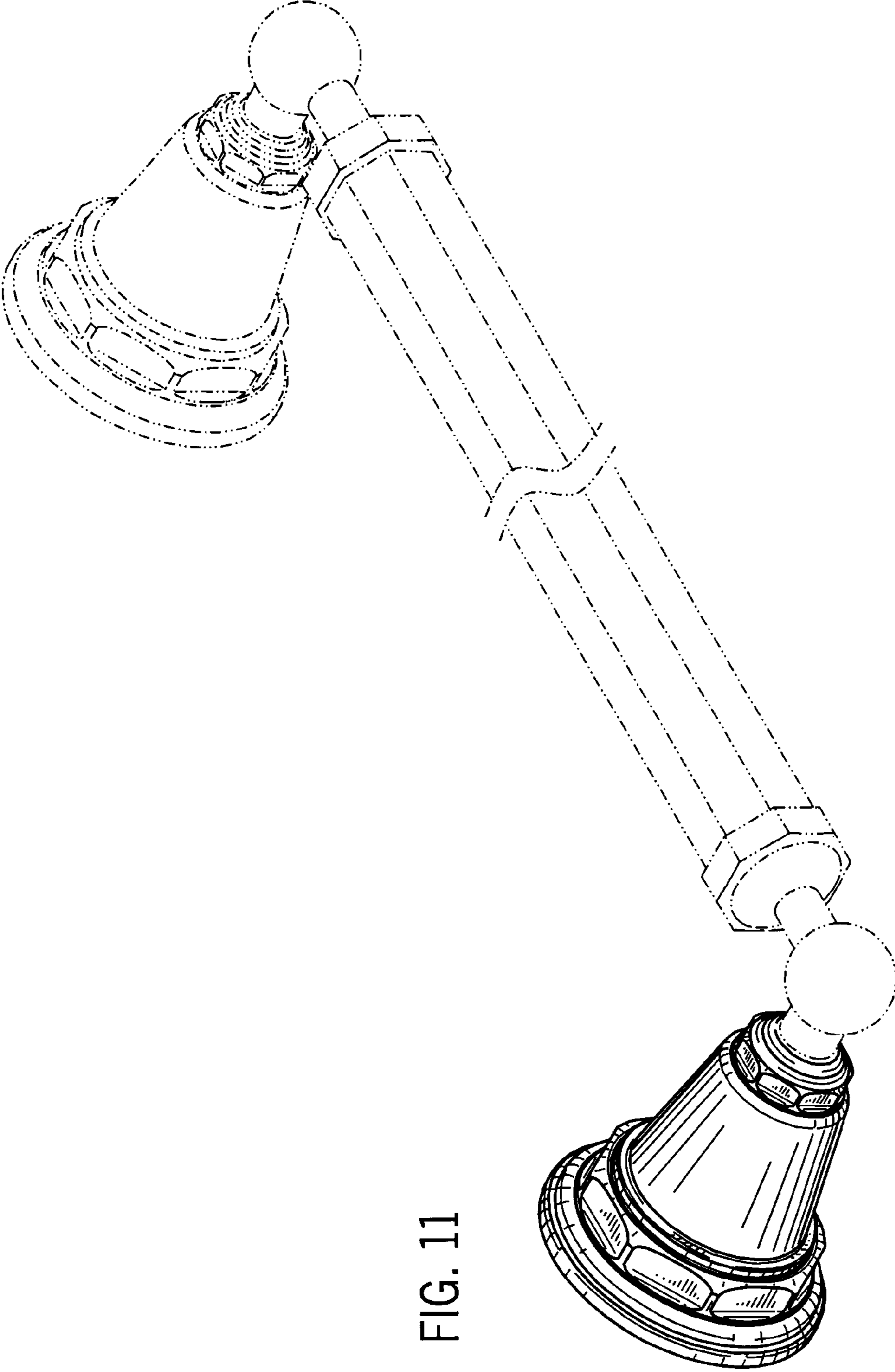


FIG. 11

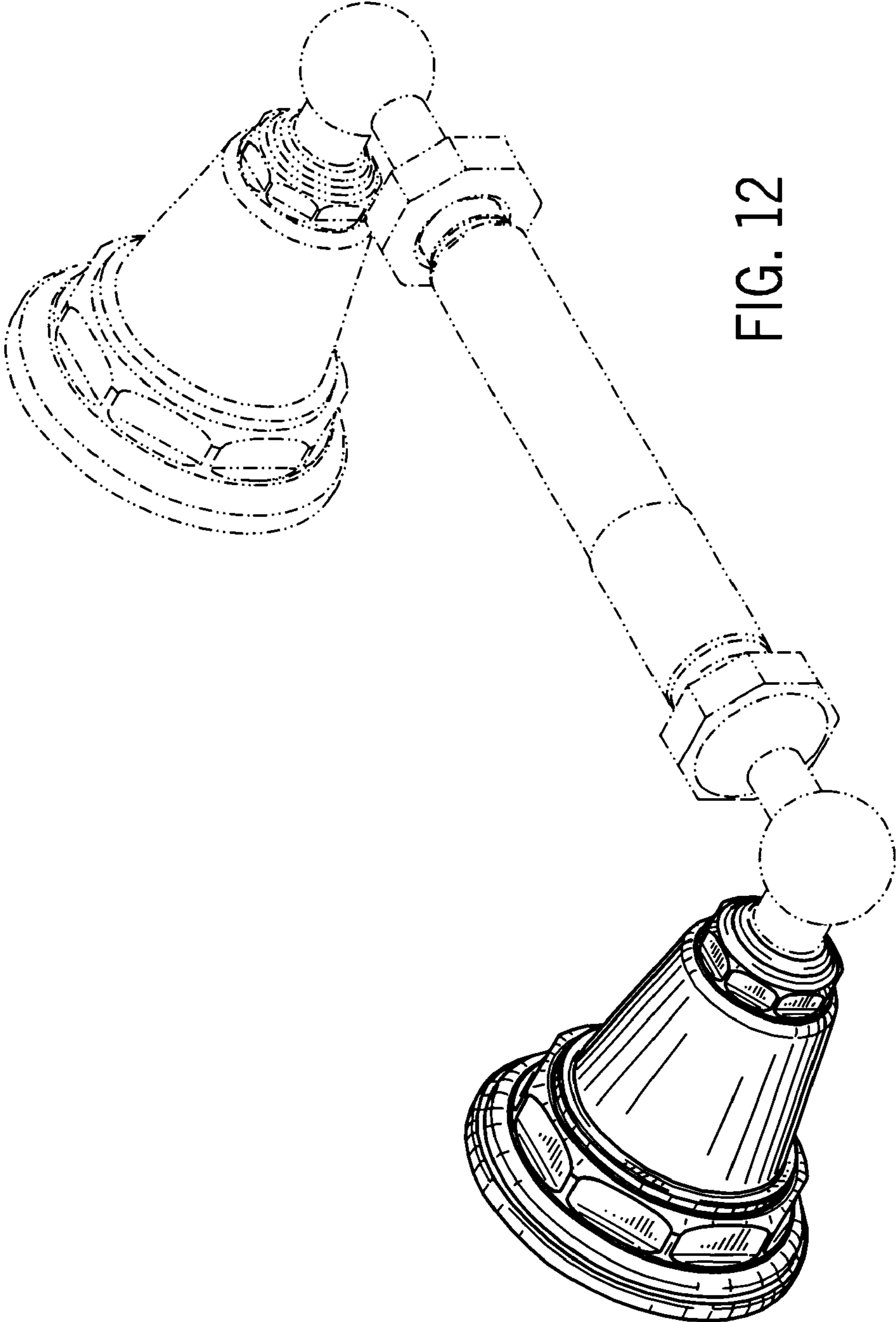


FIG. 12

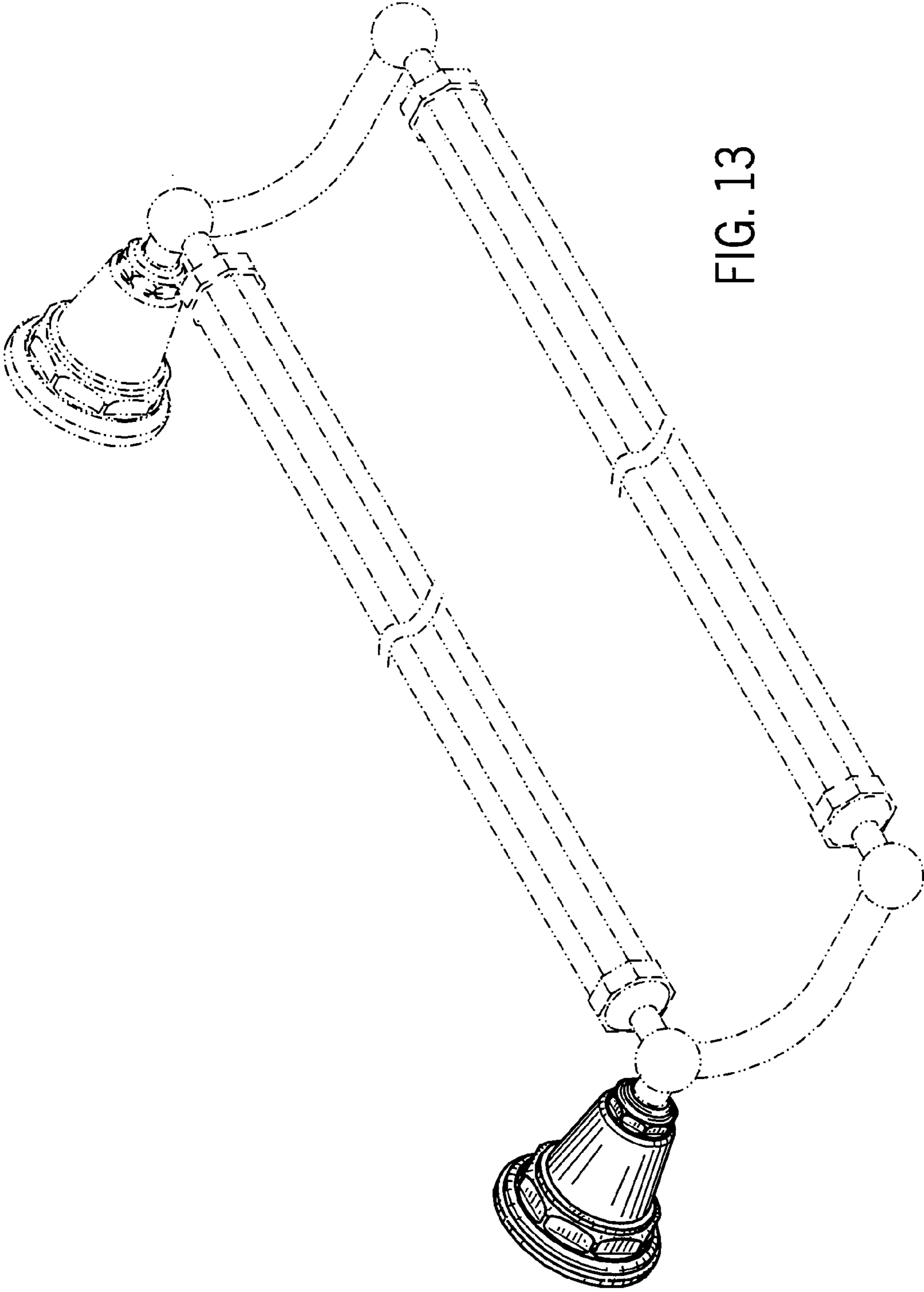


FIG. 13