

US00D528837S

(12) **United States Design Patent**  
**Fields**

(10) **Patent No.:** **US D528,837 S**

(45) **Date of Patent:** **\*\* Sep. 26, 2006**

(54) **TOWEL RING**

(75) Inventor: **Betsy E Fields**, Silverton, CO (US)

(73) Assignee: **Liberty Hardware Mfg. Corp.**,  
Winston-Salem, NC (US)

(\*\*) Term: **14 Years**

(21) Appl. No.: **29/244,694**

(22) Filed: **Dec. 13, 2005**

(51) **LOC (8) Cl.** ..... **06-04**

(52) **U.S. Cl.** ..... **D6/546**

(58) **Field of Classification Search** ..... D6/546-550,  
D6/518-519, 522-524; D8/300, 303, 315-321;  
108/28-29; 211/13.1, 16, 60.1, 86.01, 87.01,  
211/88.01, 88.04, 100, 105.1-105.2, 123,  
211/181.1, 182; 248/175, 176.1, 251, 302;  
16/110.1, 412, 415; 242/570, 590, 595-598  
See application file for complete search history.

(56) **References Cited**

**U.S. PATENT DOCUMENTS**

4,907,771 A \* 3/1990 Wang ..... 248/251  
D357,378 S \* 4/1995 Lehn et al. .... D6/546

D398,176 S \* 9/1998 Moore et al. .... D6/550  
D409,032 S \* 5/1999 Kuo ..... D6/550  
D450,509 S \* 11/2001 Gottwald ..... D6/546  
D465,368 S \* 11/2002 Moore ..... D6/546  
D477,735 S \* 7/2003 Solowiej ..... D6/546  
D493,993 S \* 8/2004 Roberts et al. .... D6/550  
D505,819 S \* 6/2005 Hoernig ..... D6/546

\* cited by examiner

*Primary Examiner*—Brian N Vinson

(74) *Attorney, Agent, or Firm*—Edgar A. Zarins; Lloyd D. Doigan

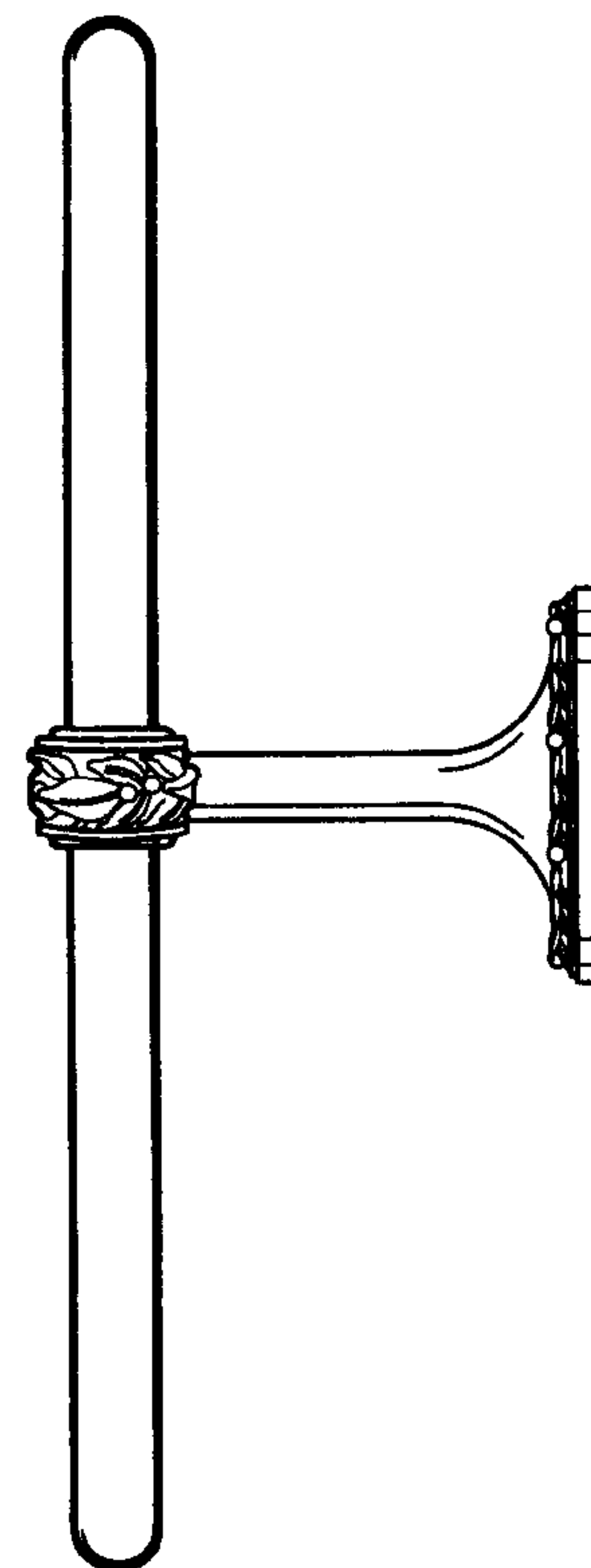
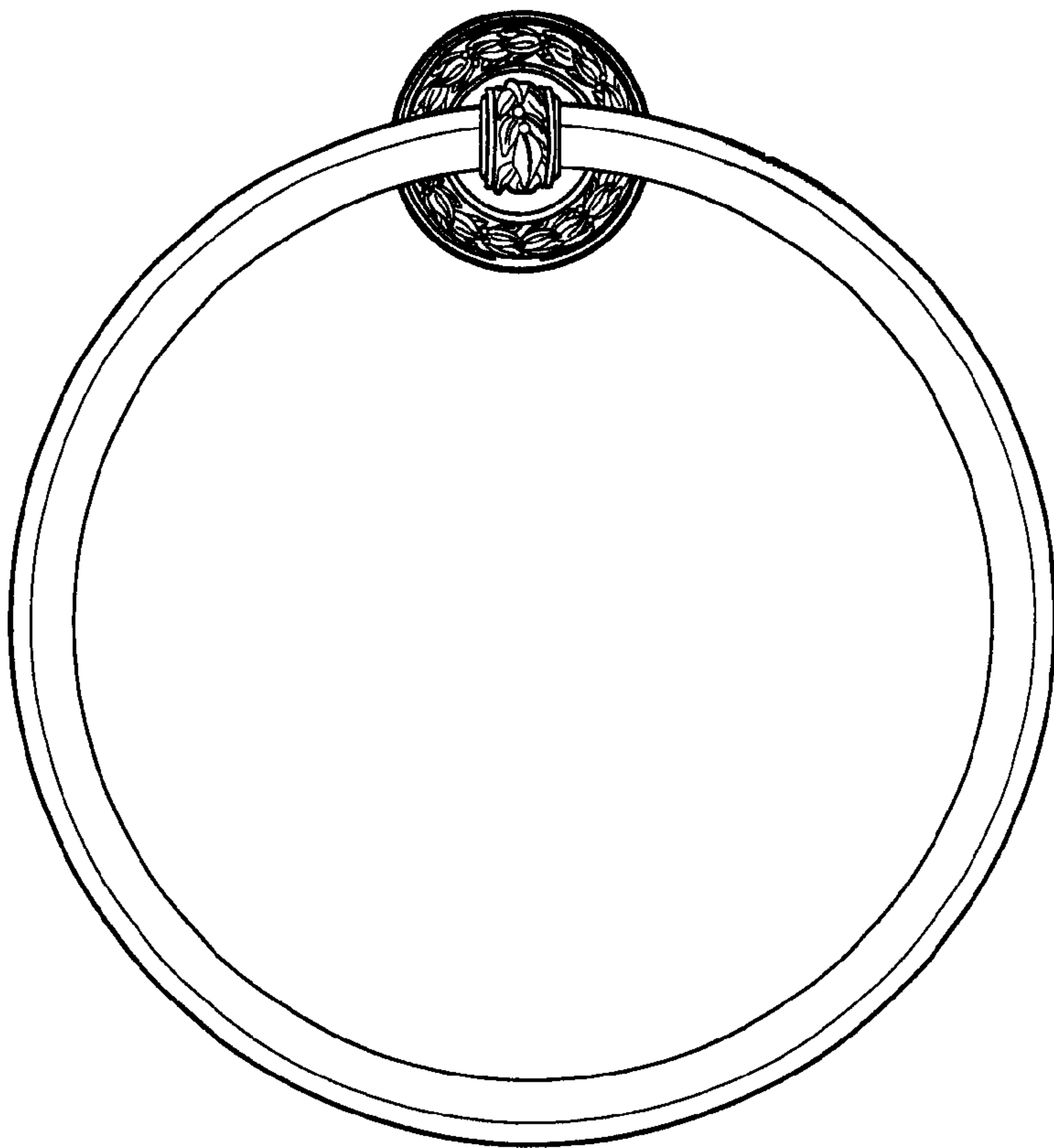
(57) **CLAIM**

The ornamental design for a towel ring, as shown and described.

**DESCRIPTION**

FIG. 1 is a front elevational view of a towel ring showing my new design;  
FIG. 2 is a top plan view thereof;  
FIG. 3 is a left side view thereof, the opposite side being a mirror image of the side shown; and,  
FIG. 4 is a bottom plan view thereof.

**1 Claim, 2 Drawing Sheets**



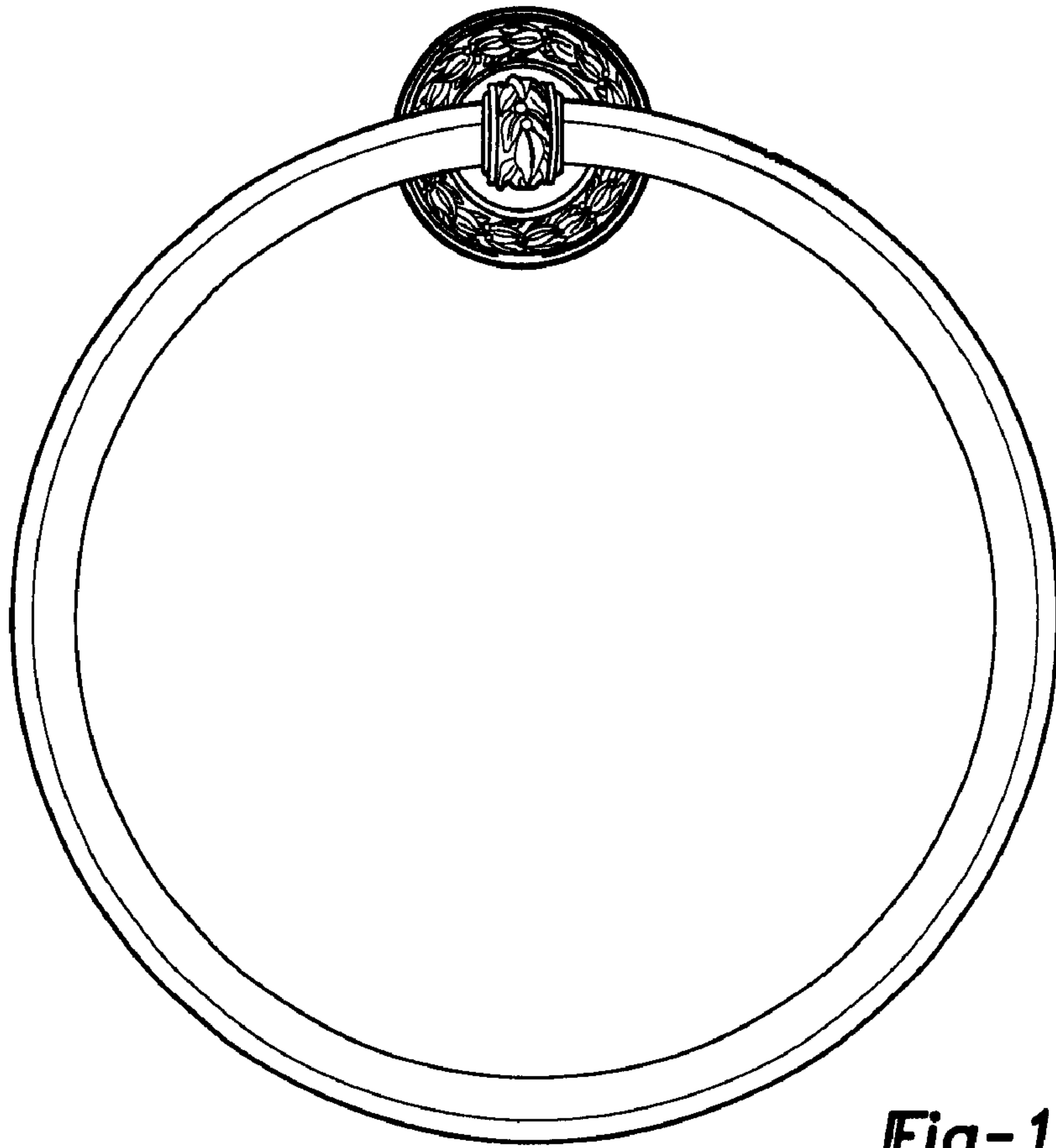


Fig-1

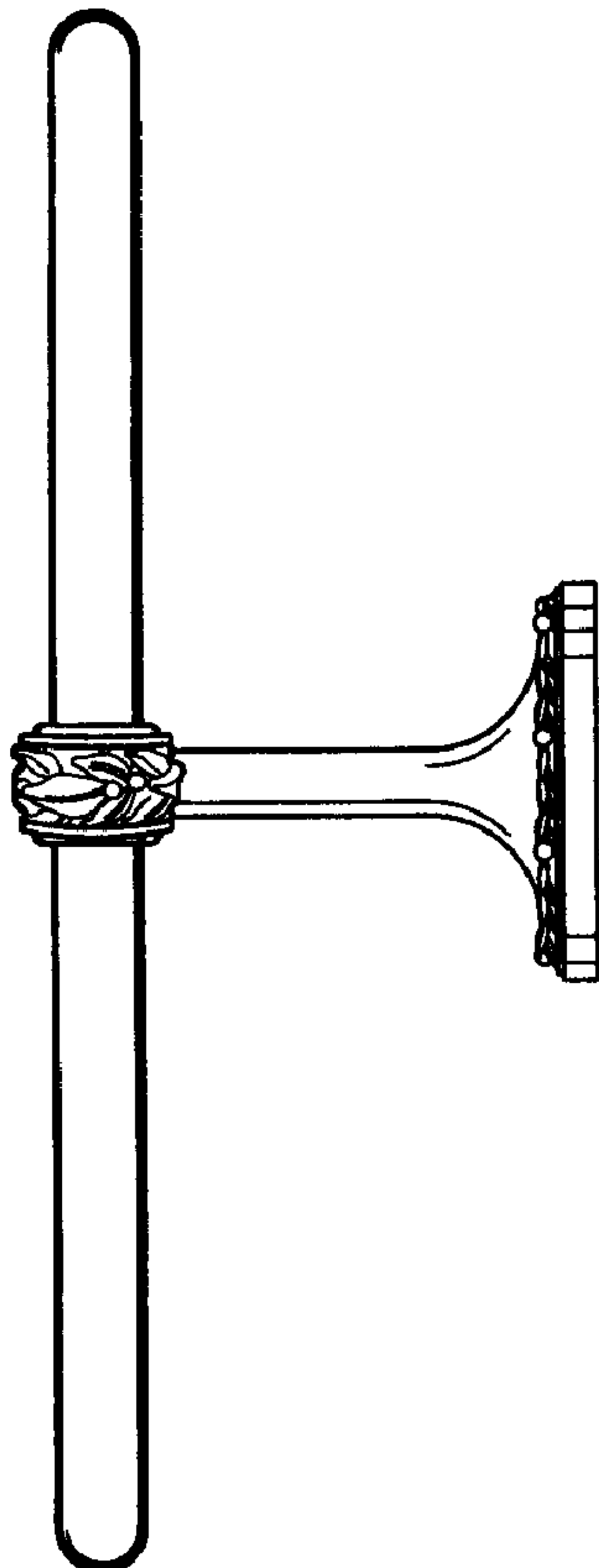


Fig-2

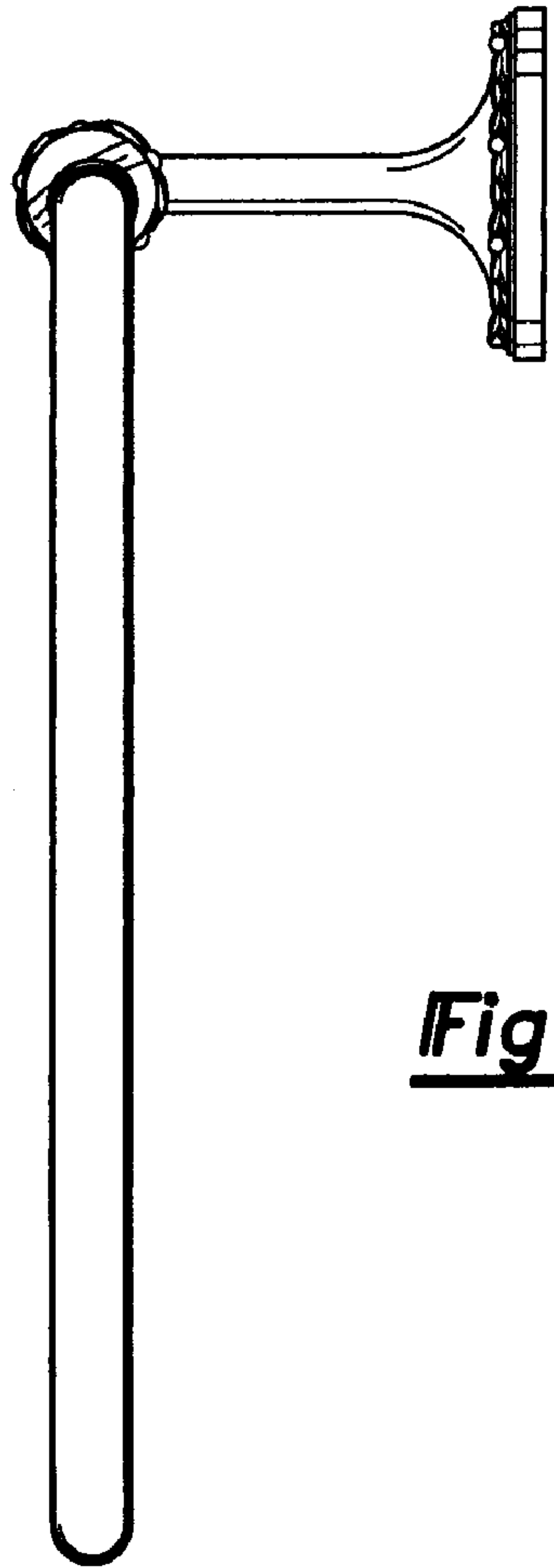


Fig-3

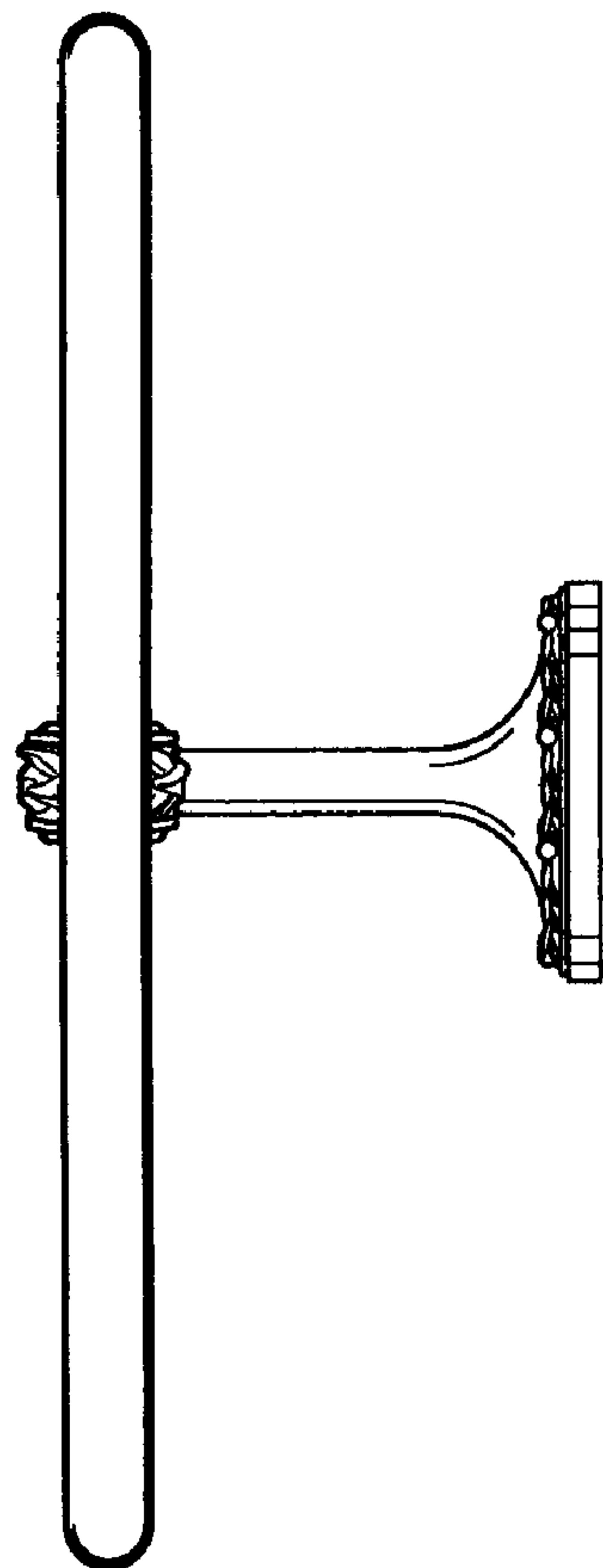


Fig-4