



US00D528836S

(12) **United States Design Patent**  
**Petersen-Rutten**

(10) **Patent No.:** **US D528,836 S**

(45) **Date of Patent:** **\*\* Sep. 26, 2006**

(54) **TOILET ROLLS HOLDER**

(75) **Inventor:** **Mechteld G. M. Petersen-Rutten,**  
**'s-Hertogenbosch (NL)**

(73) **Assignee:** **Brabantia Nederland BV, Waalre (NL)**

(\*\*) **Term:** **14 Years**

(21) **Appl. No.:** **29/204,403**

(22) **Filed:** **Apr. 27, 2004**

(51) **LOC (8) Cl.** ..... **23-02**

(52) **U.S. Cl.** ..... **D6/521**

(58) **Field of Classification Search** ..... D6/518-523;  
206/389, 557; 211/13.1, 45, 126.1; 242/570,  
242/590, 595-598; 248/309.1, 309.2  
See application file for complete search history.

(56) **References Cited**

**U.S. PATENT DOCUMENTS**

- 3,370,805 A \* 2/1968 Barbee ..... 248/309.2
- D298,290 S \* 11/1988 Wilkerson ..... D6/521
- D298,597 S \* 11/1988 Bell ..... D6/521
- D398,466 S \* 9/1998 Odom ..... D6/521

- D450,962 S \* 11/2001 Hundley ..... D6/521
- D477,730 S \* 7/2003 Hoernig ..... D6/521
- D486,333 S \* 2/2004 Hoernig ..... D6/521
- D499,916 S \* 12/2004 Yang et al. .... D6/521

\* cited by examiner

*Primary Examiner*—Brian N Vinson

(74) *Attorney, Agent, or Firm*—Ablelman, Frayne & Schwab

(57) **CLAIM**

The ornamental design for a toilet rolls holder, as shown and described.

**DESCRIPTION**

FIG. 1 is a top front right side perspective view of a toilet rolls holder showing my new design; FIG. 2 is a top plan view thereof; FIG. 3 is a left side elevational view thereof, with the right side being a mirror image thereof; FIG. 4 is a front elevational view thereof; FIG. 5 is a rear elevational view thereof; and, FIG. 6 is a bottom plan view thereof.

**1 Claim, 3 Drawing Sheets**

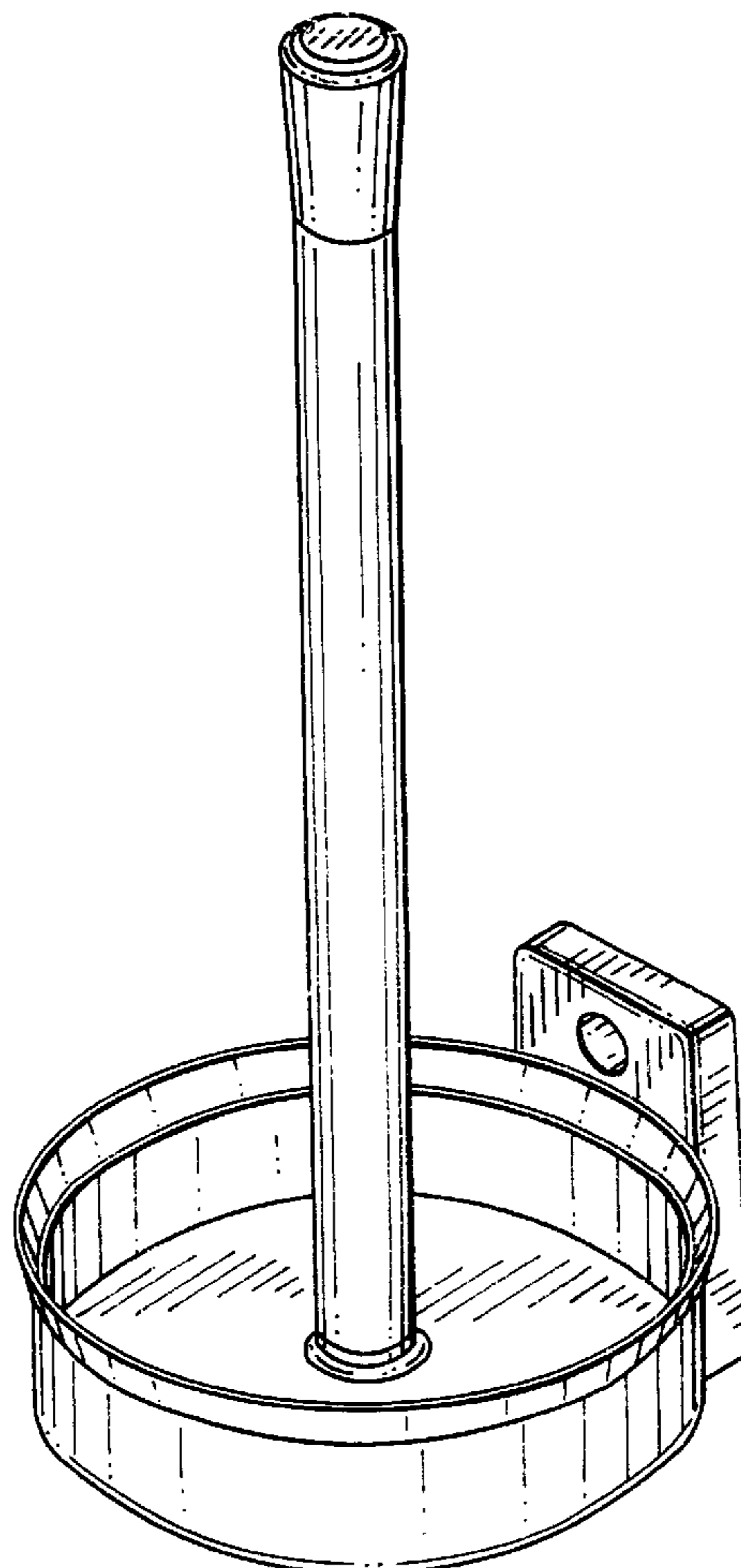


FIG. 1

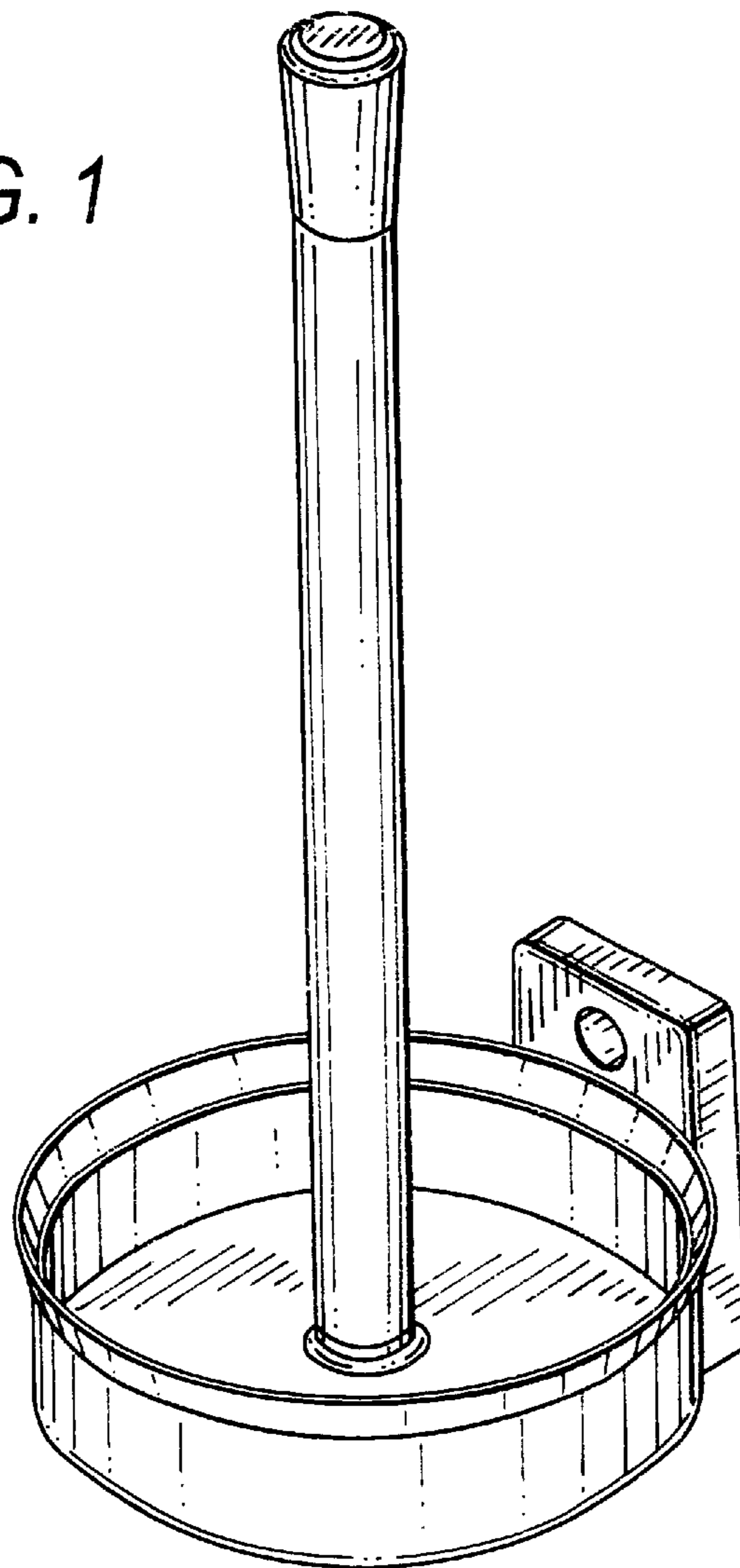
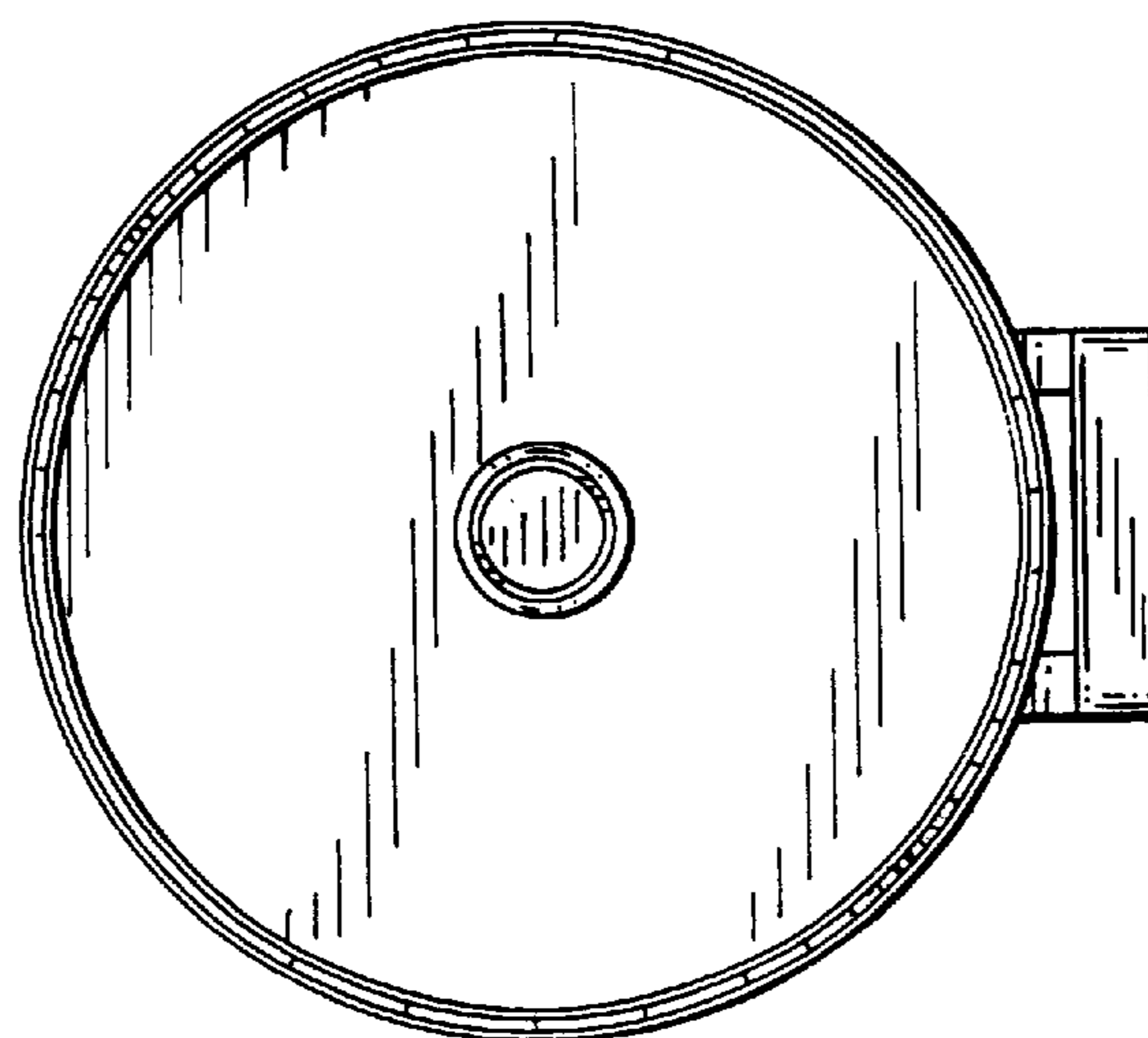


FIG. 2



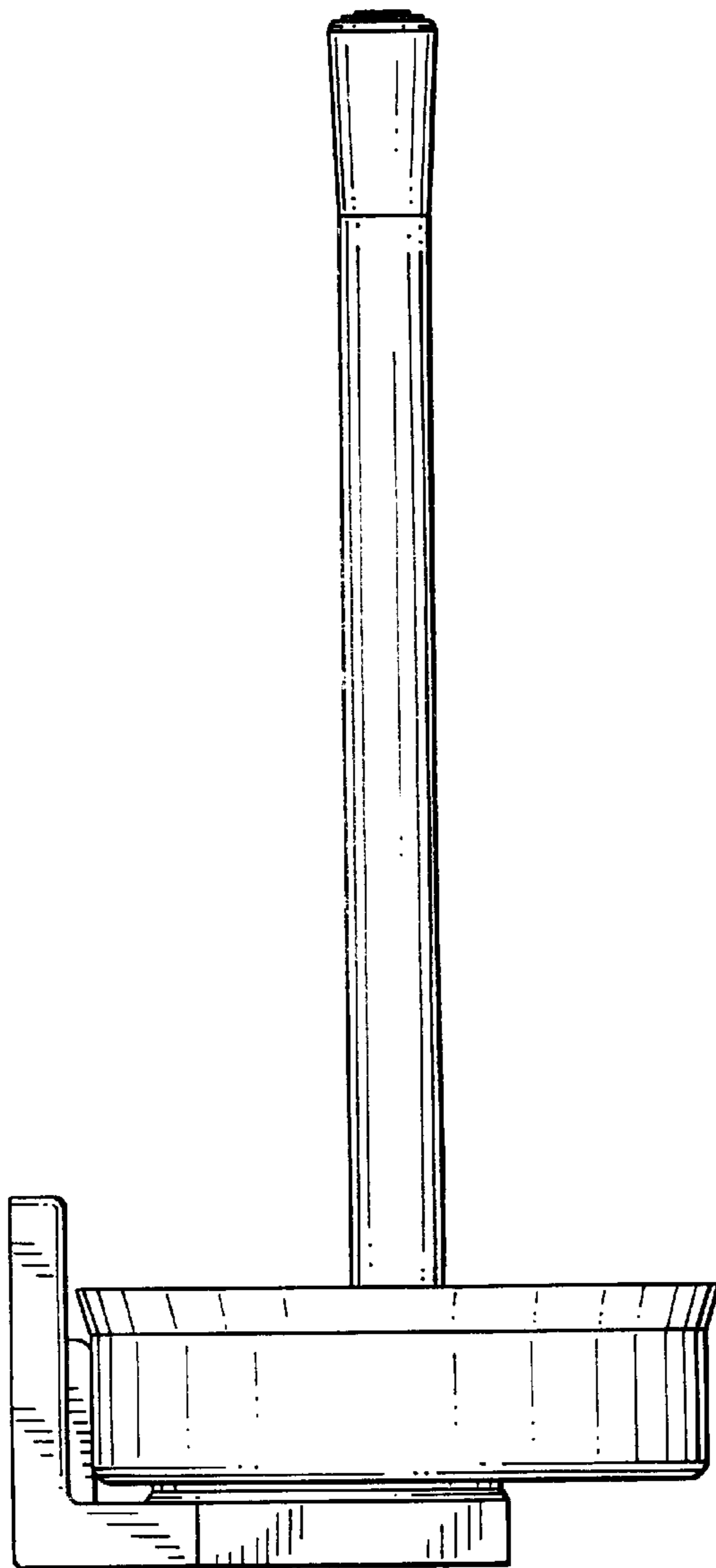


FIG. 3

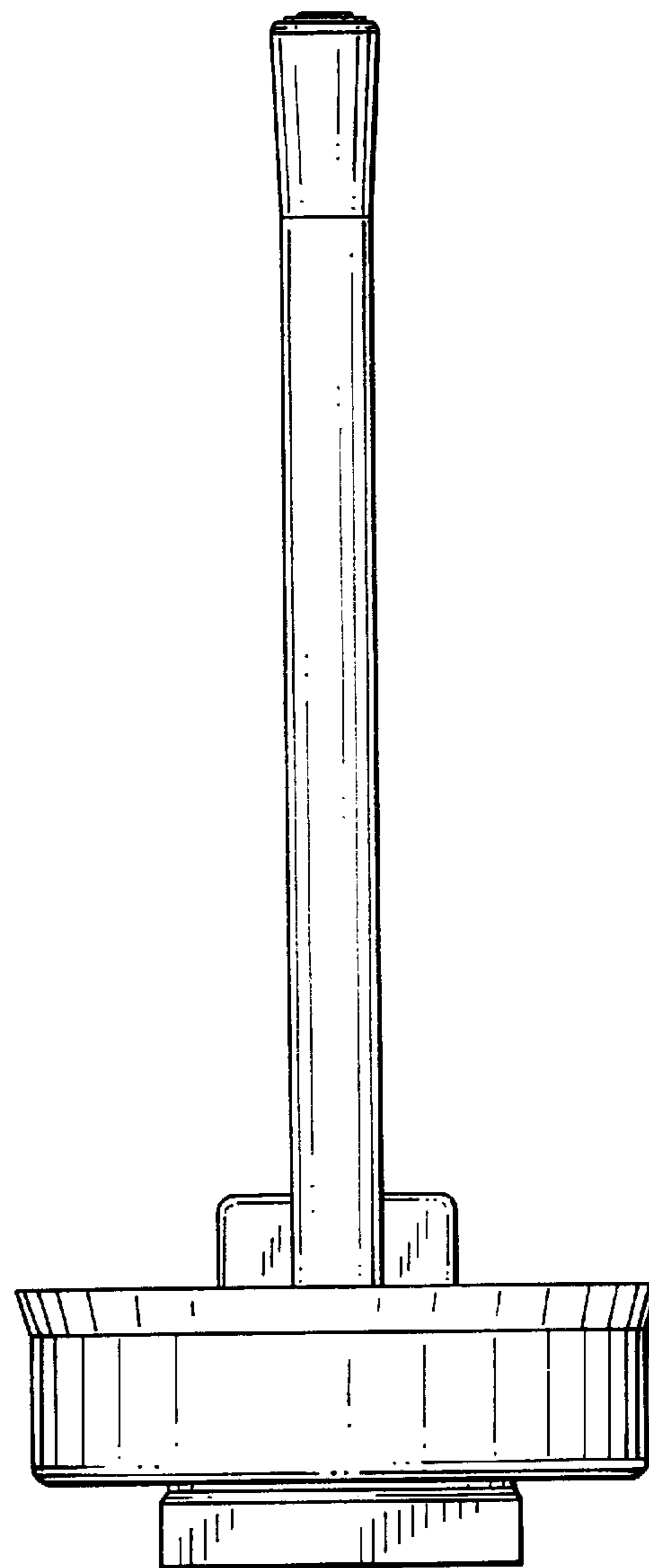


FIG. 4

FIG. 5

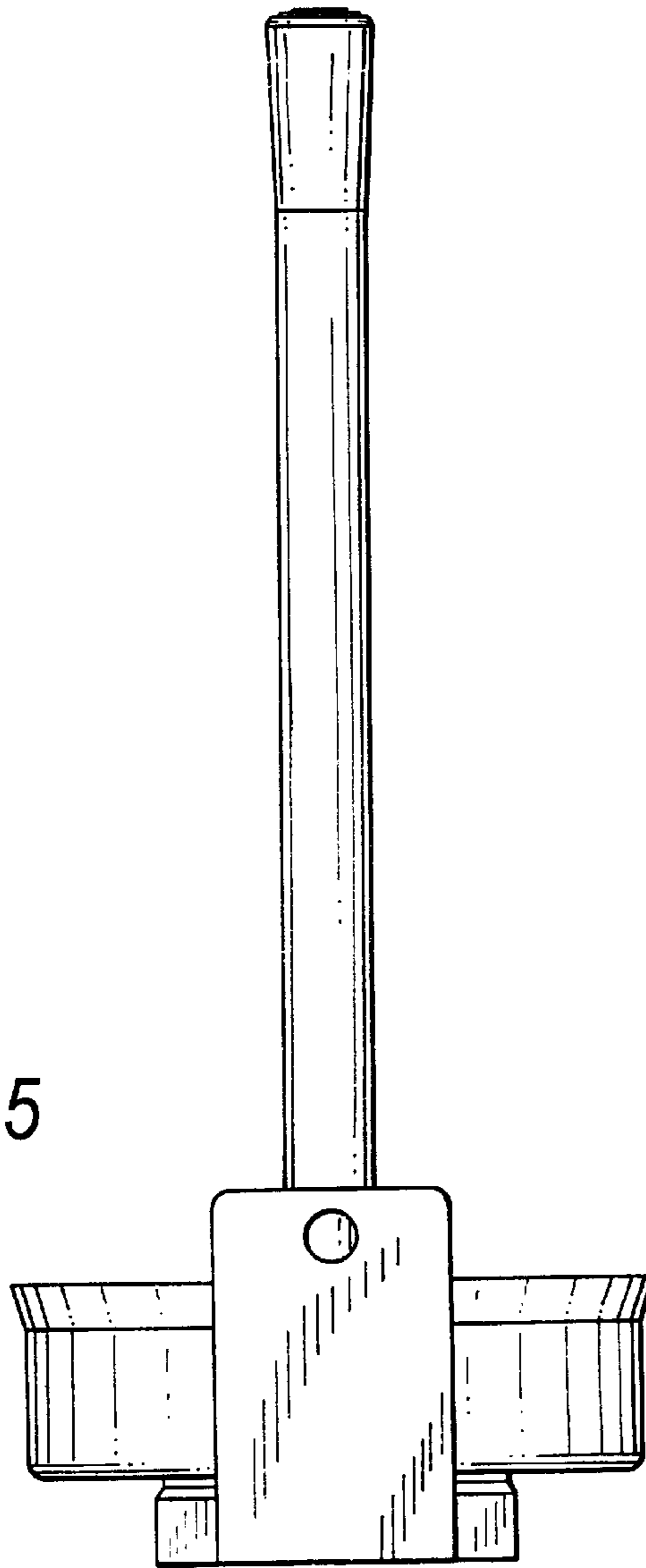


FIG. 6

