



US00D528830S

(12) **United States Design Patent**
Kita

(10) **Patent No.:** **US D528,830 S**

(45) **Date of Patent:** **** Sep. 26, 2006**

(54) **CHAIR BODY**

(76) Inventor: **Toshiyuki Kita**, TS Bldg 2F 3-1-2
Tenma, Kita-ku, Osaka (JP),
JP-530-0043

(**) Term: **14 Years**

(21) Appl. No.: **29/240,352**

(22) Filed: **Oct. 11, 2005**

(30) **Foreign Application Priority Data**

Apr. 12, 2005 (NO) 20050186

(51) **LOC (8) Cl.** **06-01**

(52) **U.S. Cl.** **D6/500; D6/366**

(58) **Field of Classification Search** D6/334-336,
D6/356, 366, 367, 368, 374, 376, 500-502;
297/391, 452.1, 452.11, 452.21, 452.24, 452.25,
297/452.29, 452.34, 452.35

See application file for complete search history.

(56) **References Cited**

U.S. PATENT DOCUMENTS

D196,719 S * 10/1963 Johnson D6/366
D291,508 S * 8/1987 Herr D6/367

D303,878 S * 10/1989 Goldsmith D6/500
D327,041 S * 6/1992 Kuhl et al. D6/356
D358,262 S * 5/1995 Smoczynski D6/356
D362,126 S * 9/1995 Carter D6/367
D371,008 S * 6/1996 Stulik D6/356
6,102,481 A * 8/2000 Tateyama 297/452.35
D475,542 S * 6/2003 Pfeiffer et al. D6/356
D516,327 S * 3/2006 Murphy D6/356
D516,827 S * 3/2006 Mourgue D6/366

* cited by examiner

Primary Examiner—Mimosa De

(74) *Attorney, Agent, or Firm*—Schneck & Schneck;
Thomas Schneck

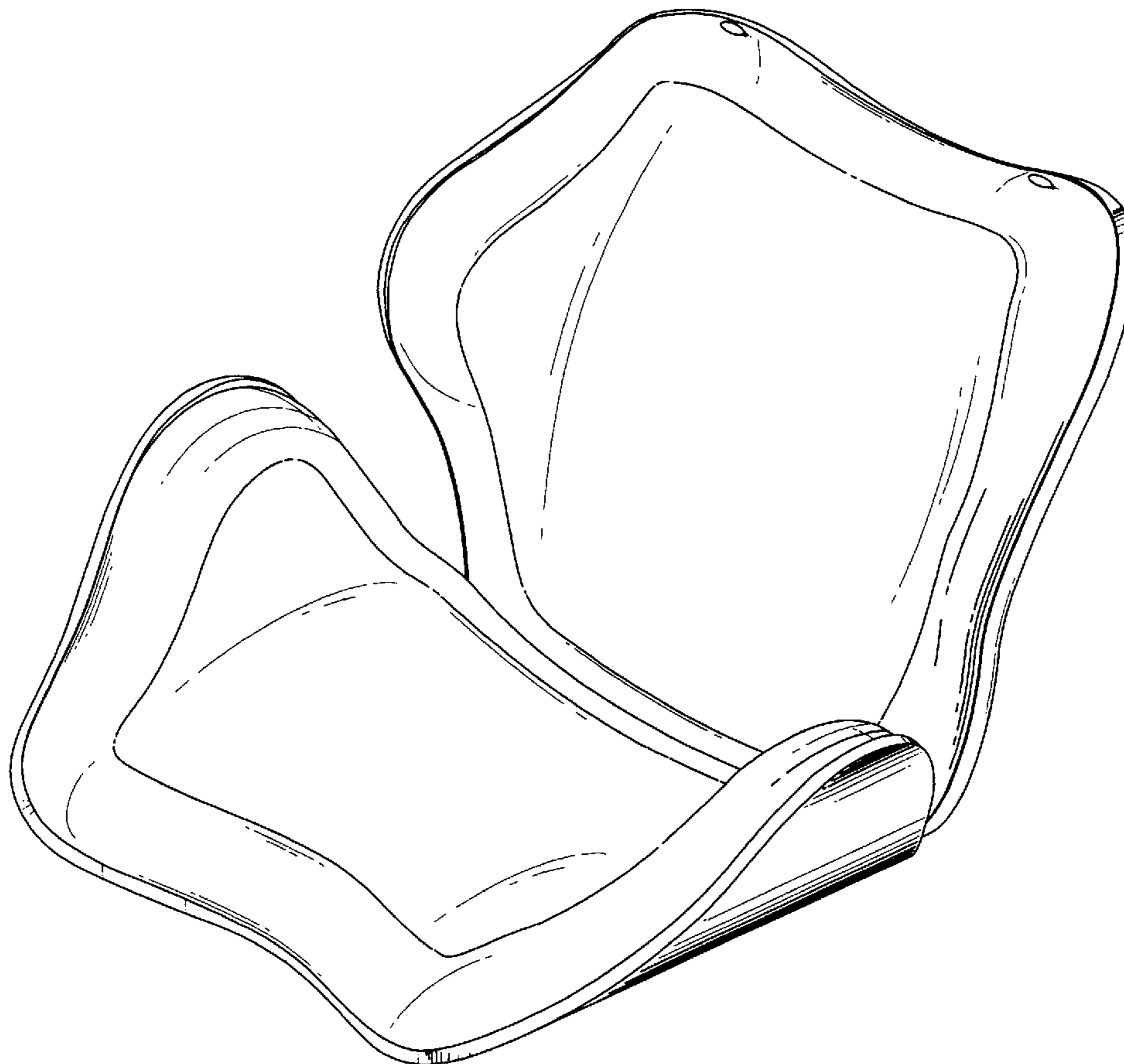
(57) **CLAIM**

I claim the design for a chair body, as shown.

DESCRIPTION

FIG. 1 is a perspective view of my new design.
FIG. 2 is a front view thereof.
FIG. 3 is a rear view thereof.
FIG. 4 is a right side view thereof.
FIG. 5 is a left side view thereof.
FIG. 6 is a top view thereof; and,
FIG. 7 is a bottom view thereof.

1 Claim, 7 Drawing Sheets



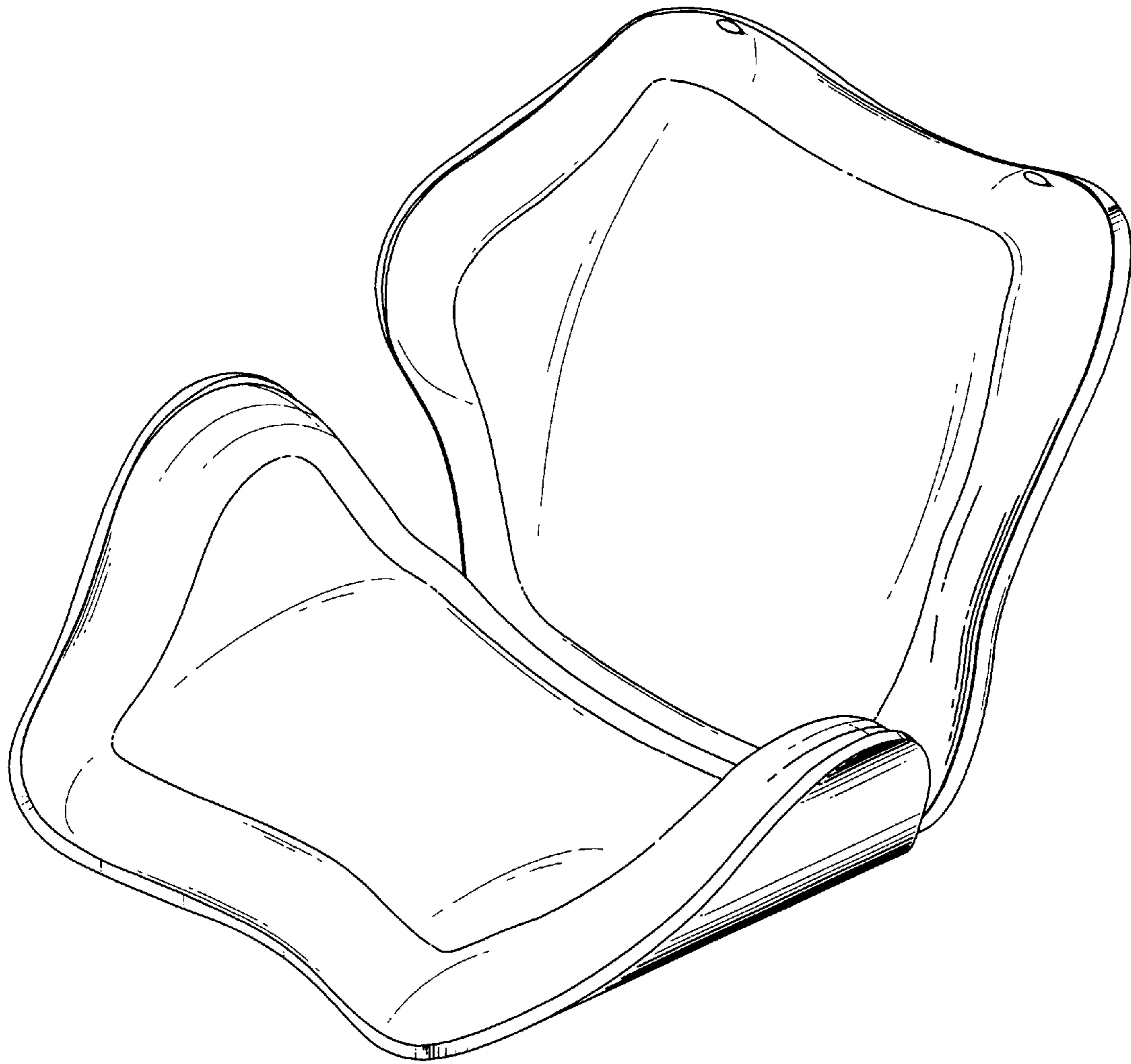


Fig. 1

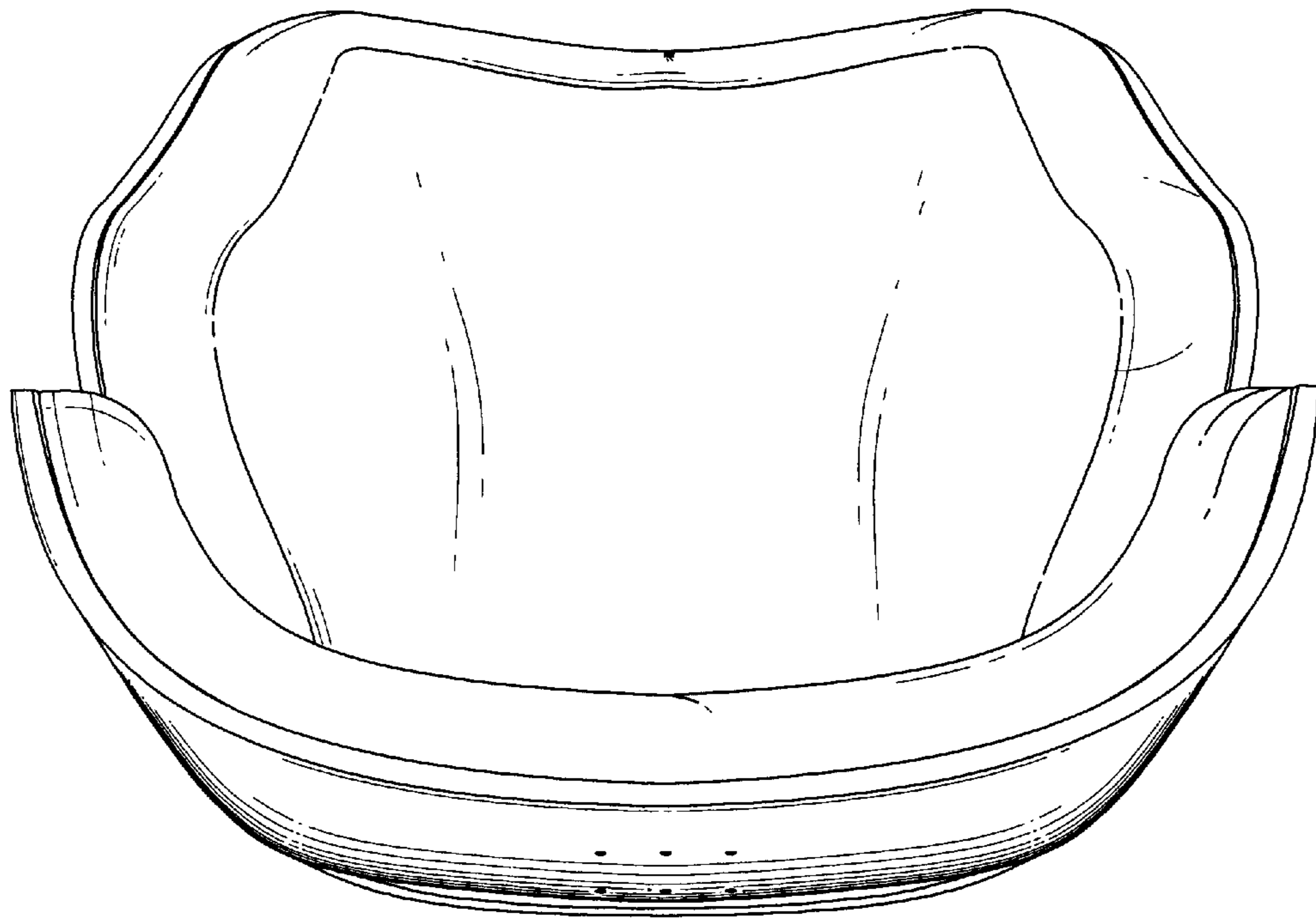


Fig. 2

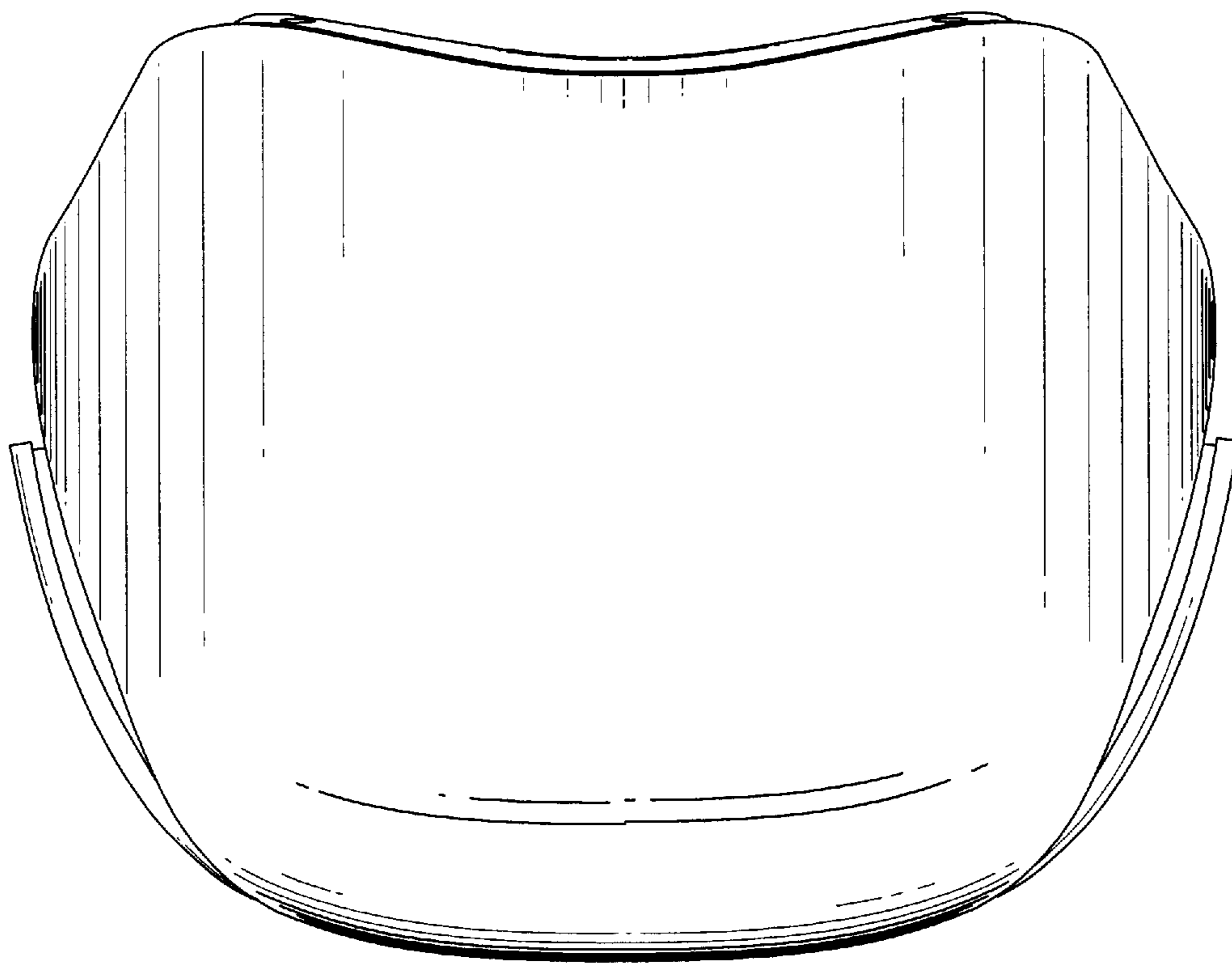


Fig. 3

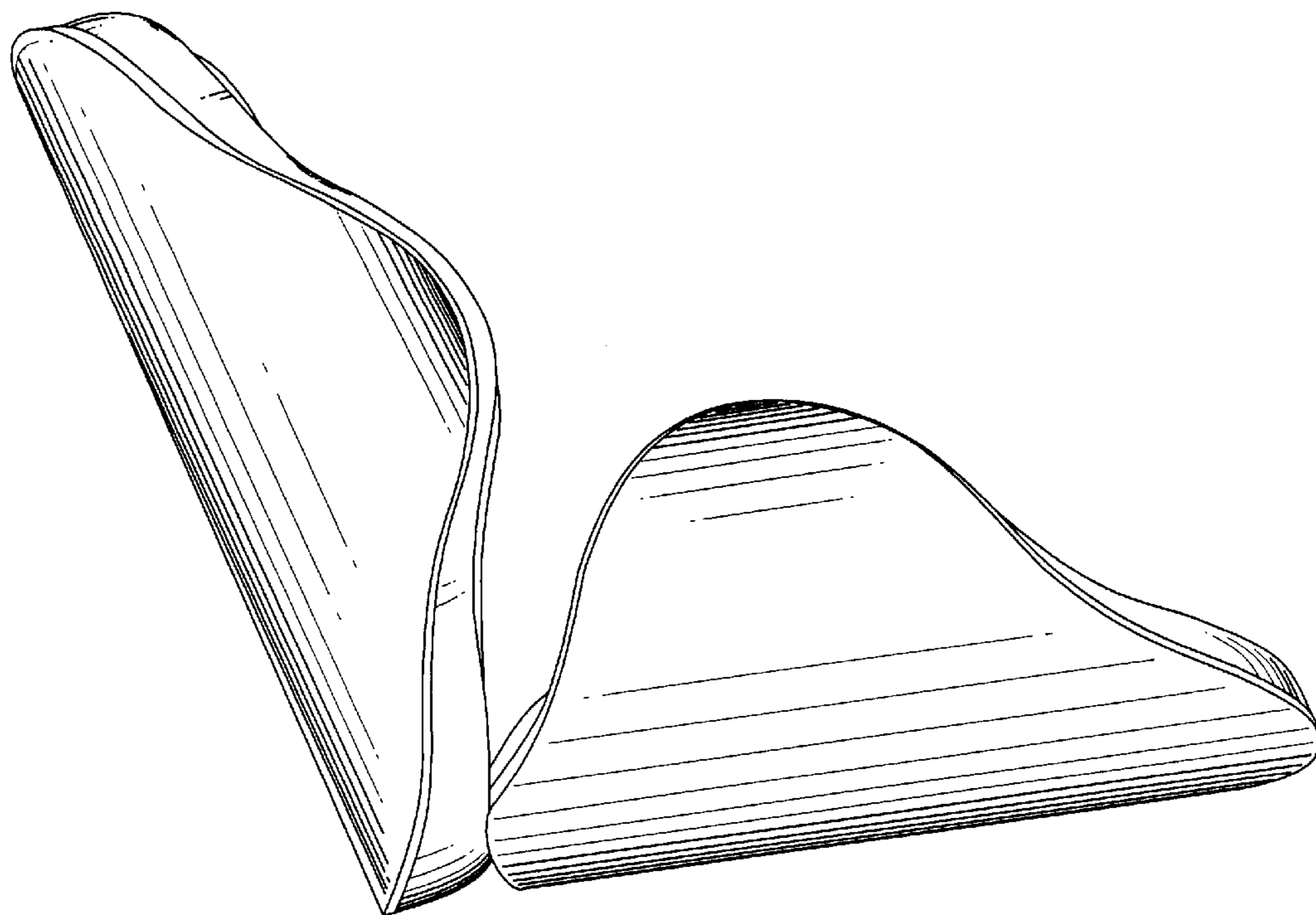


Fig. 4

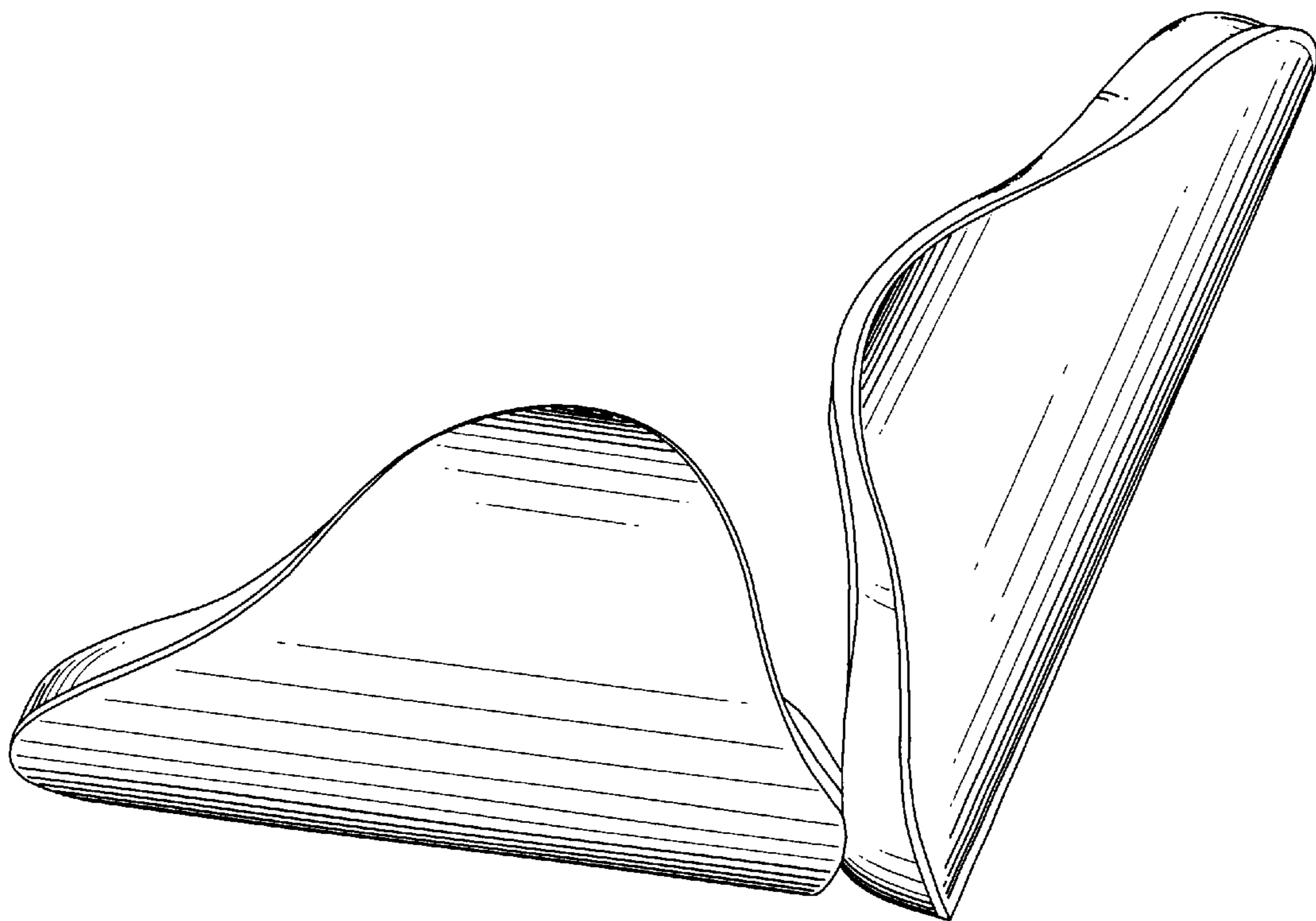


Fig. 5

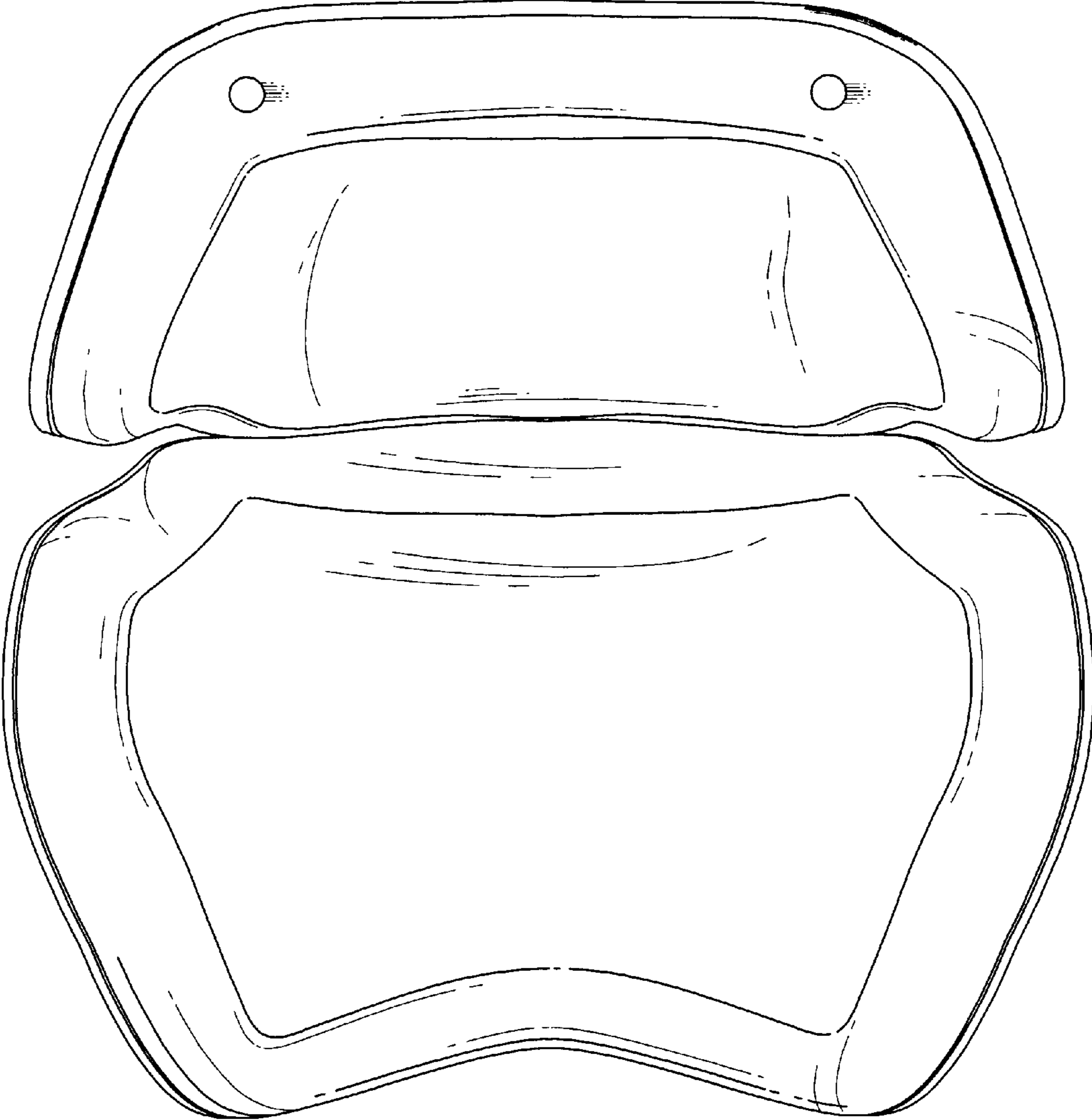


Fig. 6

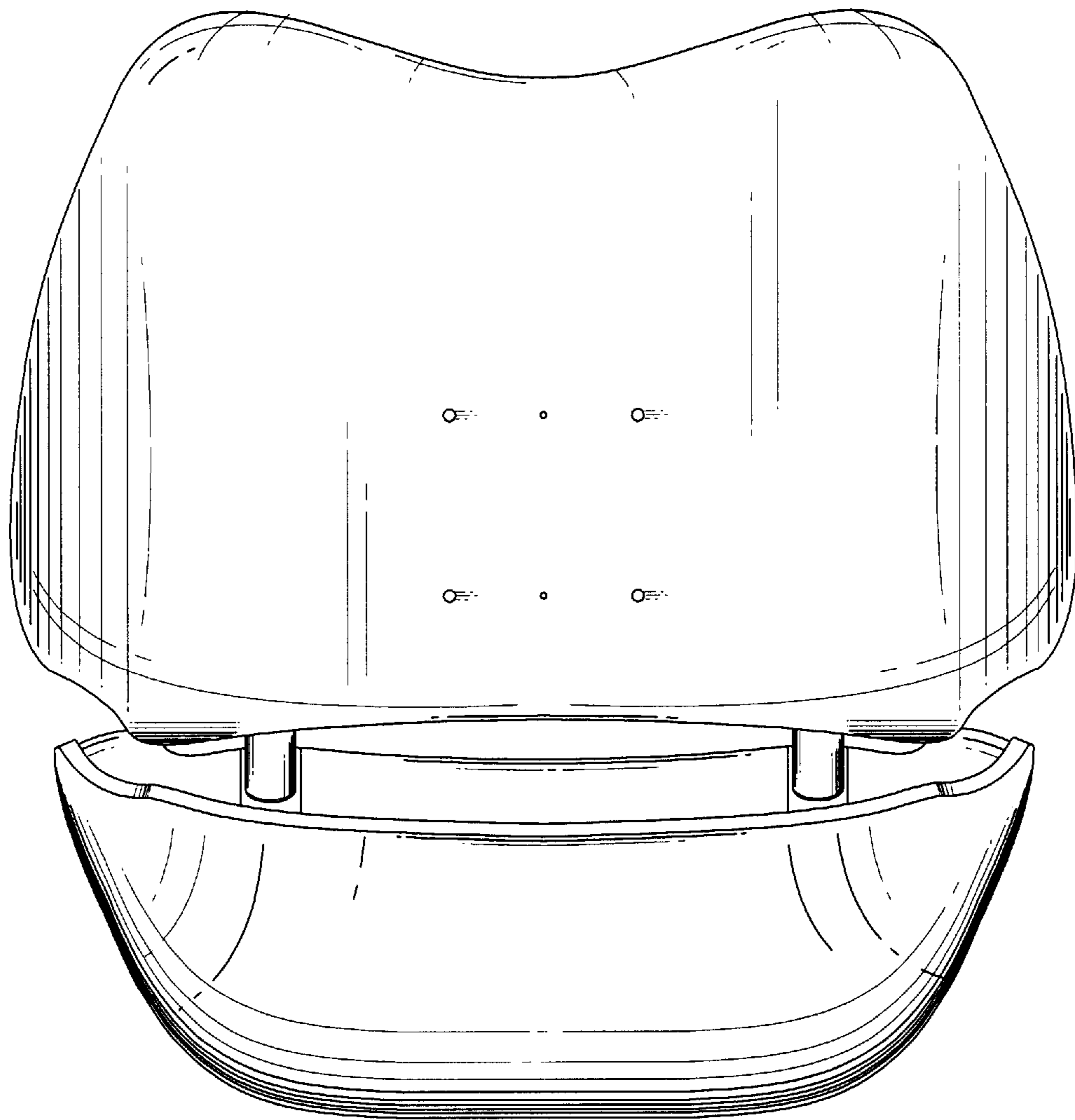


Fig. 7