

US00D528829S

(12) **United States Design Patent**
Magnusson

(10) **Patent No.:** **US D528,829 S**

(45) **Date of Patent:** **** Sep. 26, 2006**

(54) **TABLE BASE**

(75) **Inventor:** **Emanuela Frattini Magnusson**, New York, NY (US)

(73) **Assignee:** **Knoll, Inc.**, East Greenville, PA (US)

(**) **Term:** **14 Years**

(21) **Appl. No.:** **29/241,345**

(22) **Filed:** **Oct. 26, 2005**

Related U.S. Application Data

(62) Division of application No. 29/207,265, filed on Jun. 9, 2004.

(51) **LOC (8) Cl.** **06-06**

(52) **U.S. Cl.** **D6/495**

(58) **Field of Classification Search** D6/480-489, D6/495-499, 511, 429-431; 108/150, 153.1, 108/155, 156, 157.1, 161; 248/188, 188.1, 248/188.8

See application file for complete search history.

(56) **References Cited**

U.S. PATENT DOCUMENTS

- D306,107 S * 2/1990 Grosfillex D6/480
- D306,108 S * 2/1990 Grosfillex D6/486
- D333,930 S * 3/1993 Olsen D6/470
- D342,403 S 12/1993 Magnusson
- D362,983 S 10/1995 Magnusson
- D367,192 S 2/1996 Frattini
- 5,715,761 A 2/1998 Frattini

- D401,454 S * 11/1998 De Blaay D6/486
- D415,634 S 10/1999 Lin et al.
- D448,585 S 10/2001 Petri
- D457,759 S * 5/2002 O'Hare et al. D6/480
- D462,195 S 9/2002 Wang
- D469,990 S * 2/2003 Muller D6/486
- D492,514 S 7/2004 Domack et al.

* cited by examiner

Primary Examiner—Janice E. Seeger

(74) *Attorney, Agent, or Firm*—Buchanan Ingersoll PC

(57) **CLAIM**

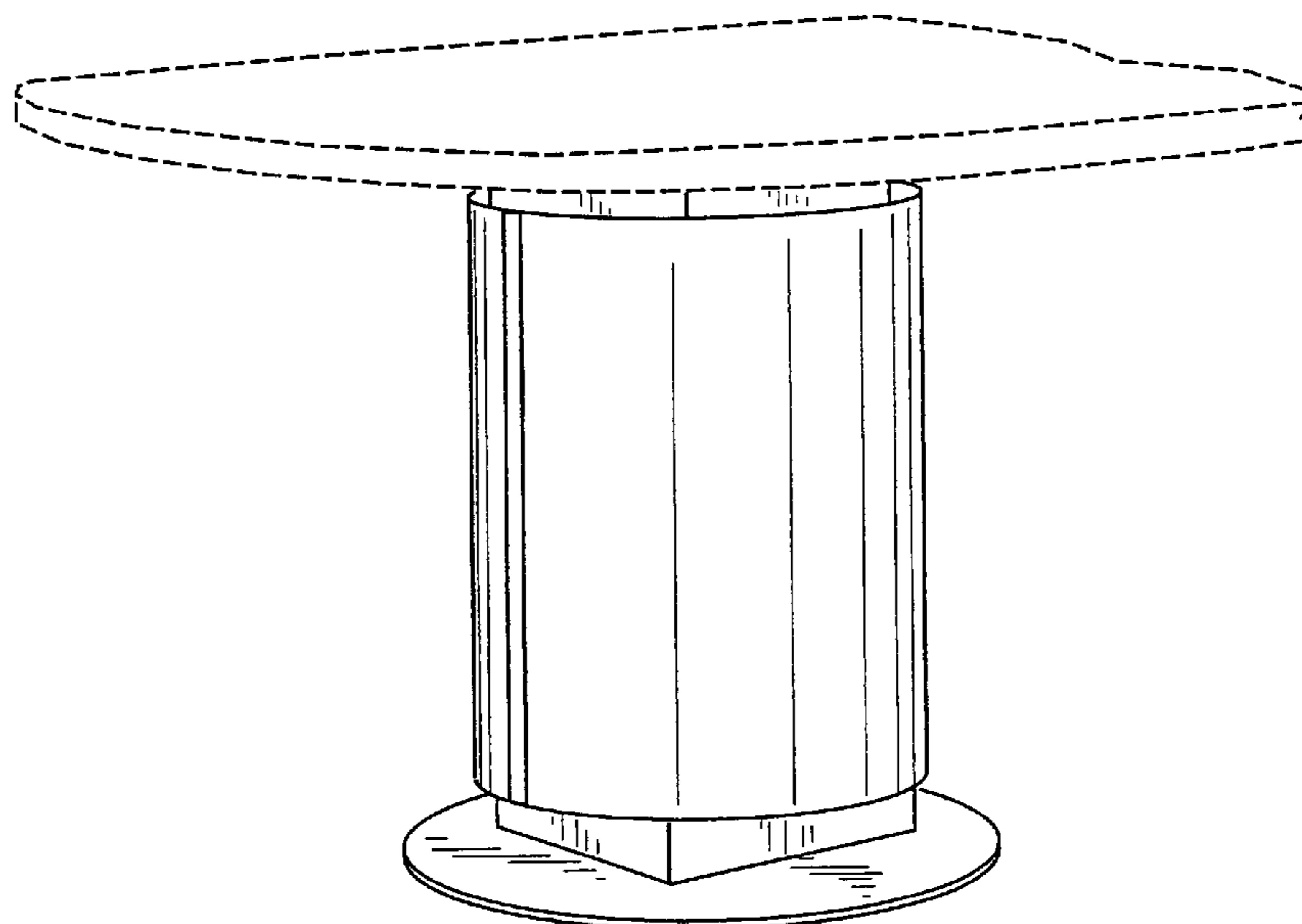
The ornamental design for a table base, as shown and described.

DESCRIPTION

FIG. 1 is a perspective view of a table base showing my new design;
 FIG. 2 is a front elevational view thereof;
 FIG. 3 is a rear elevational view thereof;
 FIG. 4 is a right side elevational view thereof;
 FIG. 5 is a left side elevational view thereof;
 FIG. 6 is a bottom plan view thereof;
 FIG. 7 is a top plan view thereof;
 FIG. 8 is a perspective view of the table base of FIG. 1 shown in a multiple configuration;
 FIG. 9 is a front elevational view thereof; and,
 FIG. 10 is a rear elevational view thereof.

The phantom lines in FIGS. 1-10 are for illustrative purposes only to show a sample table top and form no part of the design.

1 Claim, 7 Drawing Sheets



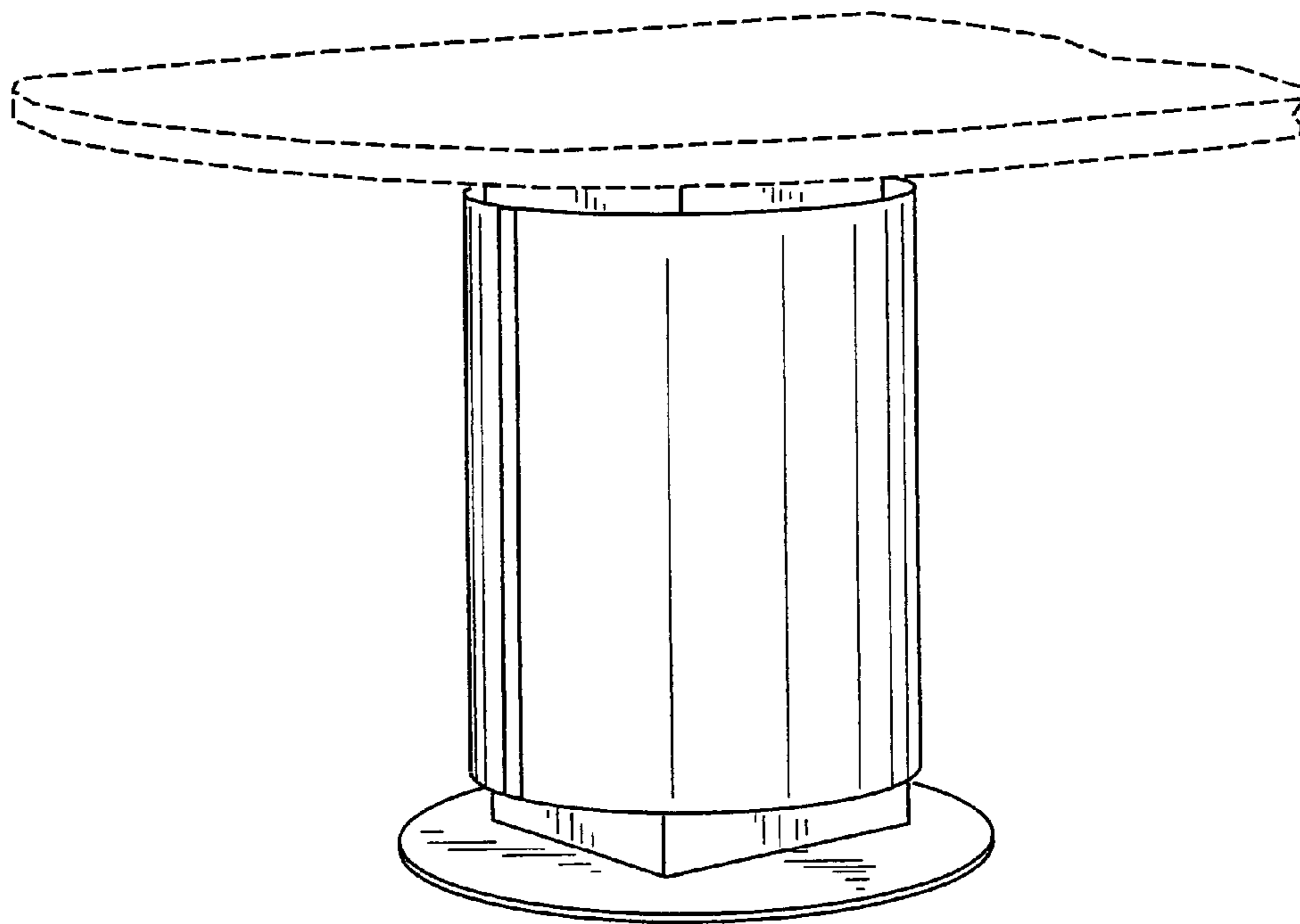


Fig. 1

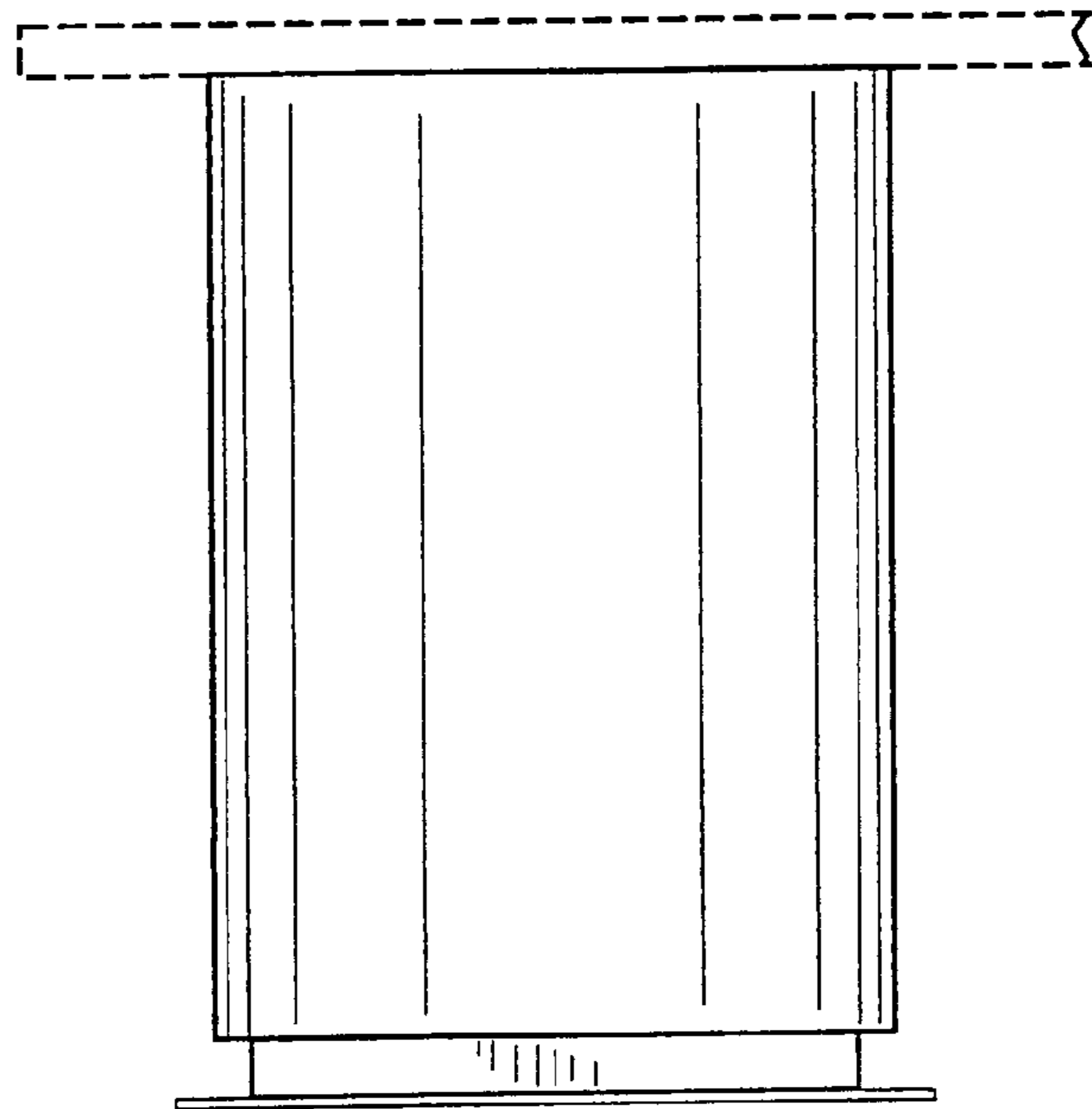


Fig. 2

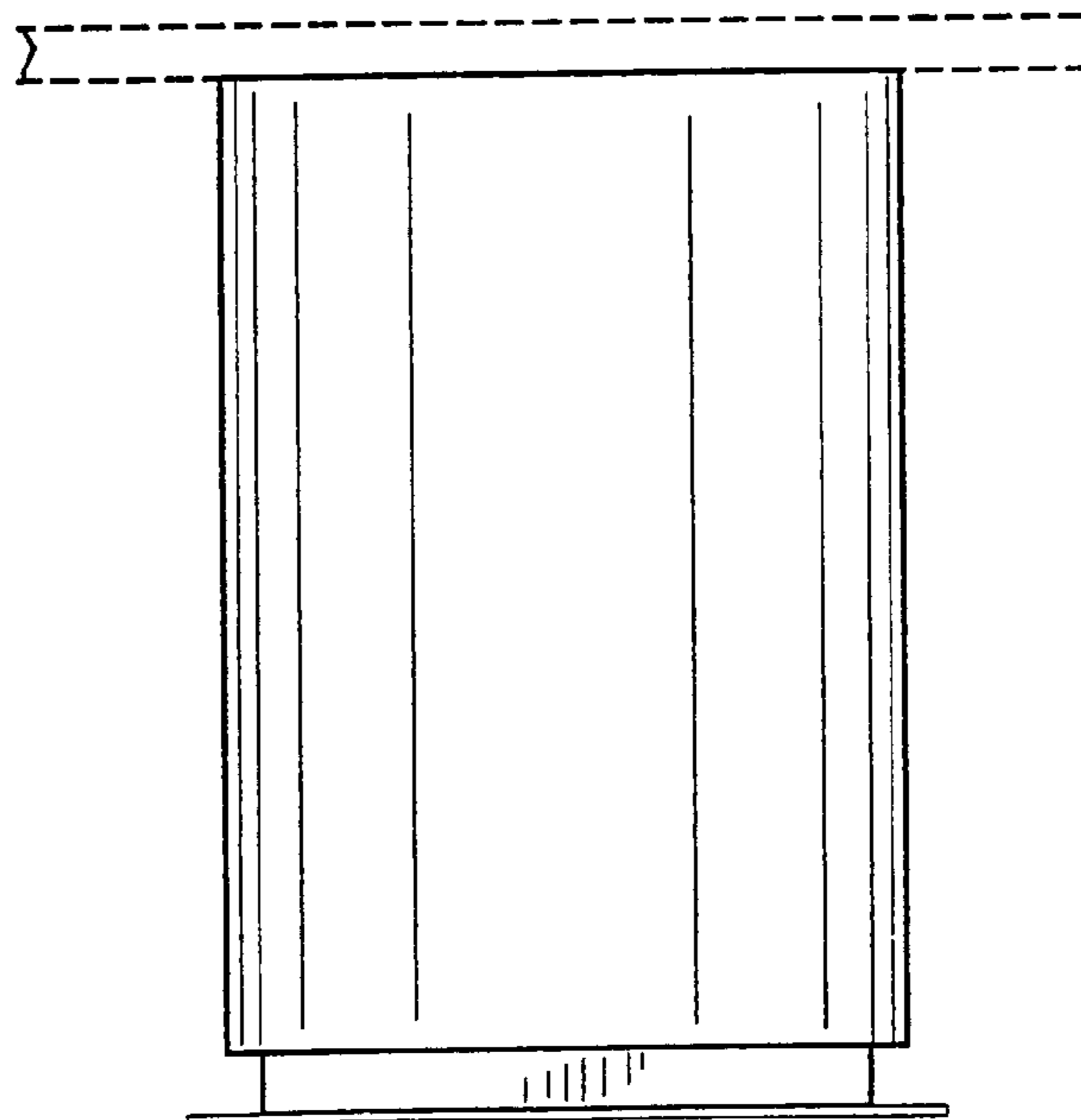


Fig. 3

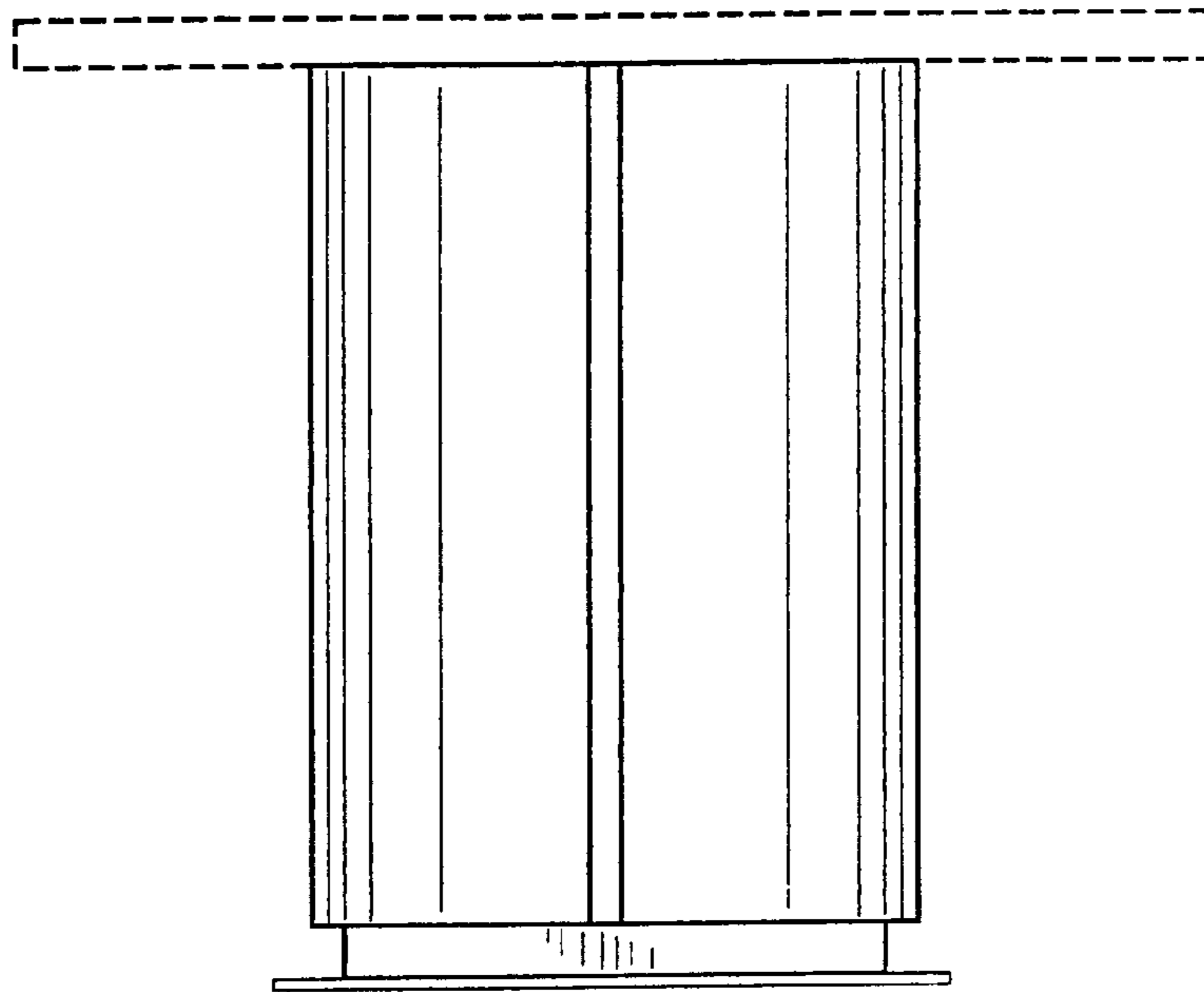


Fig. 4

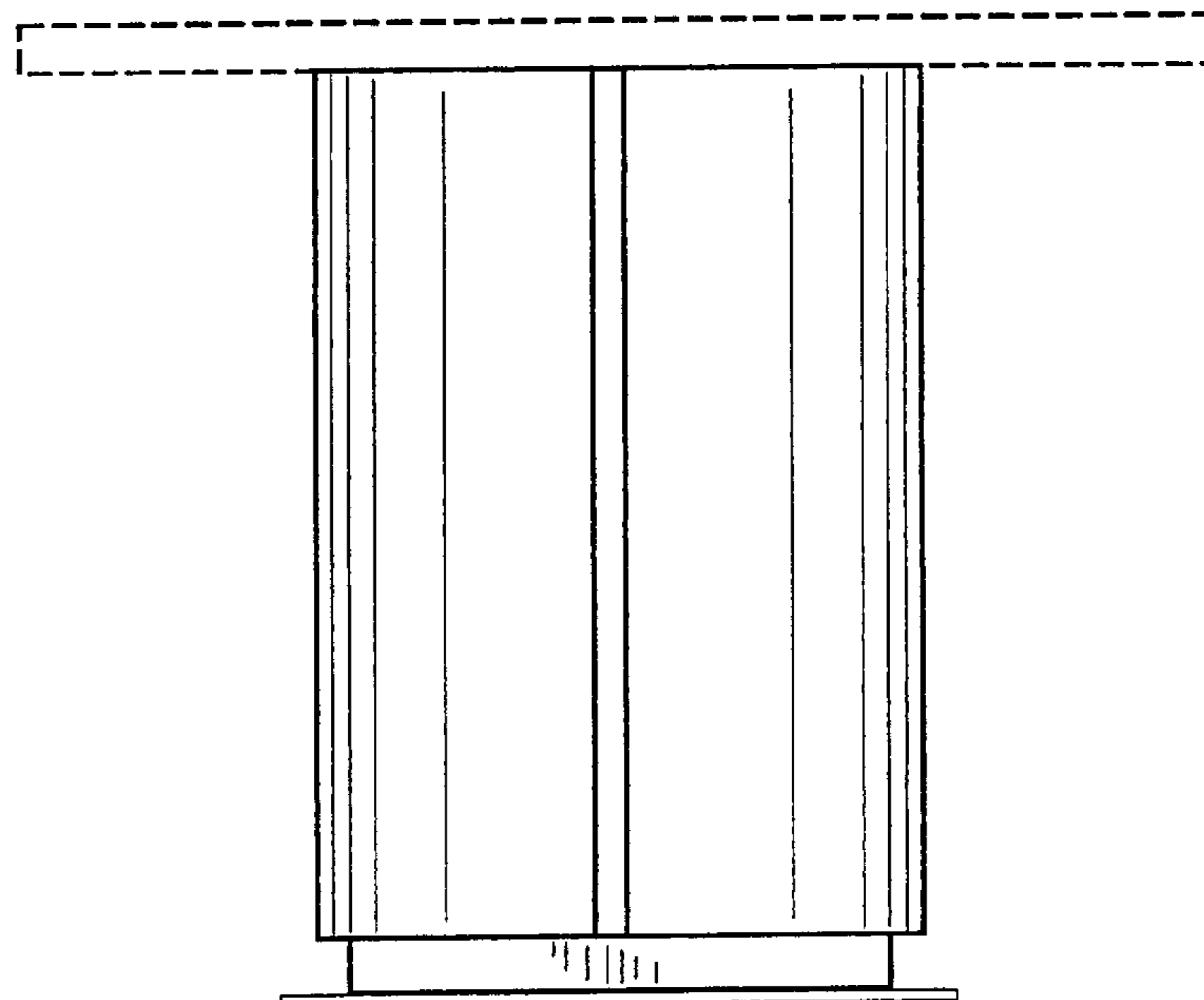


Fig. 5

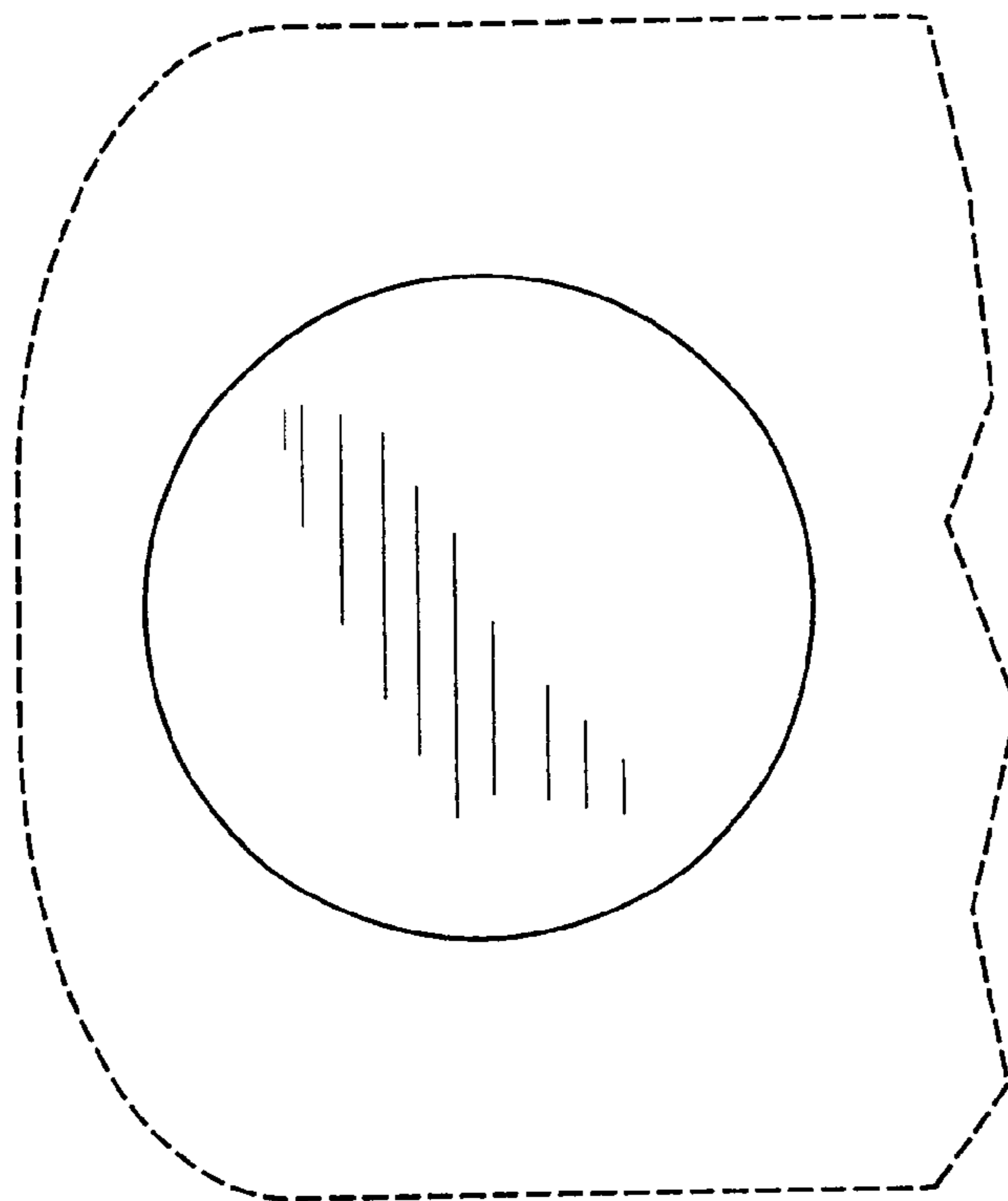


Fig. 6

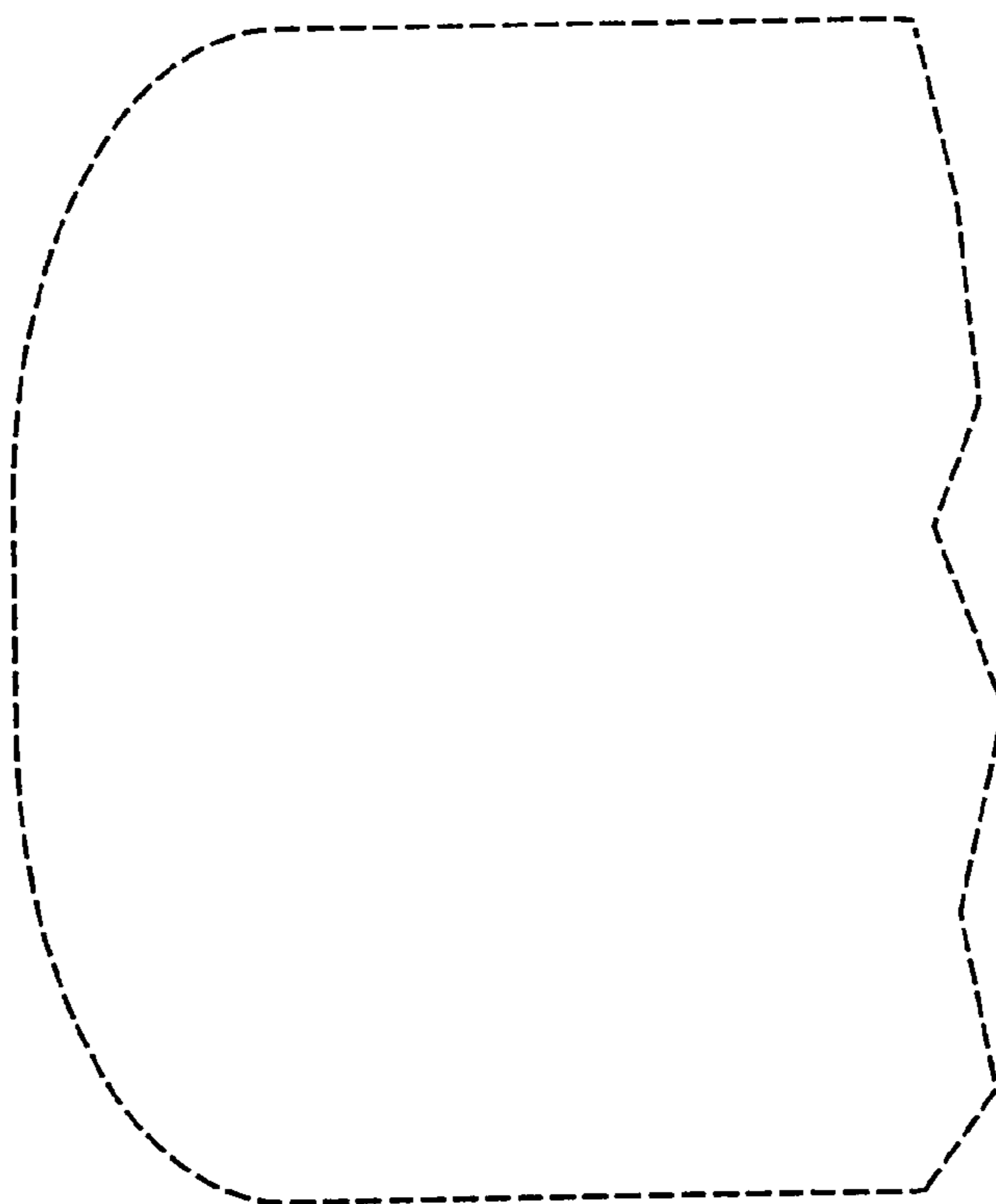


Fig. 7

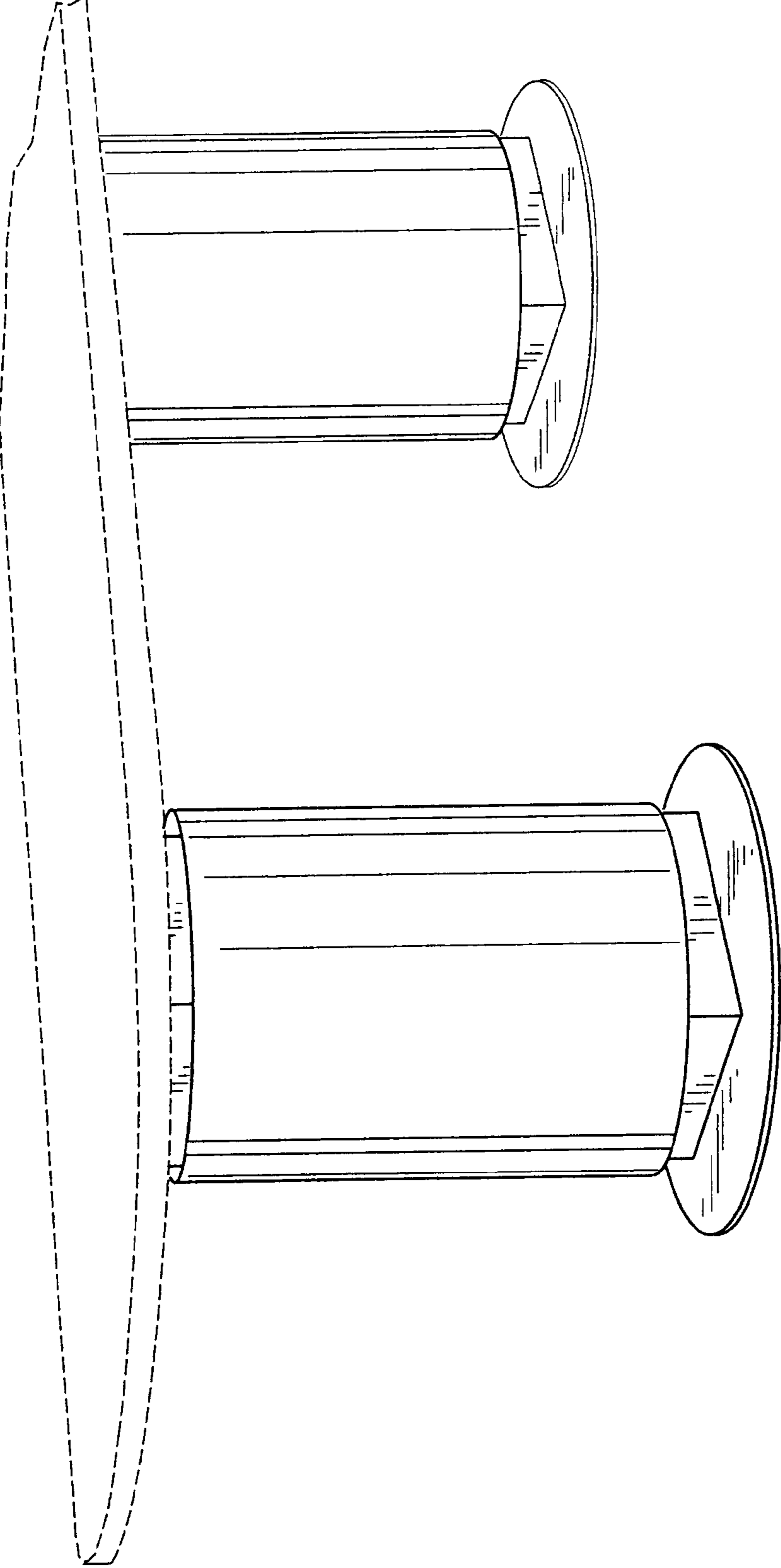


Fig. 8

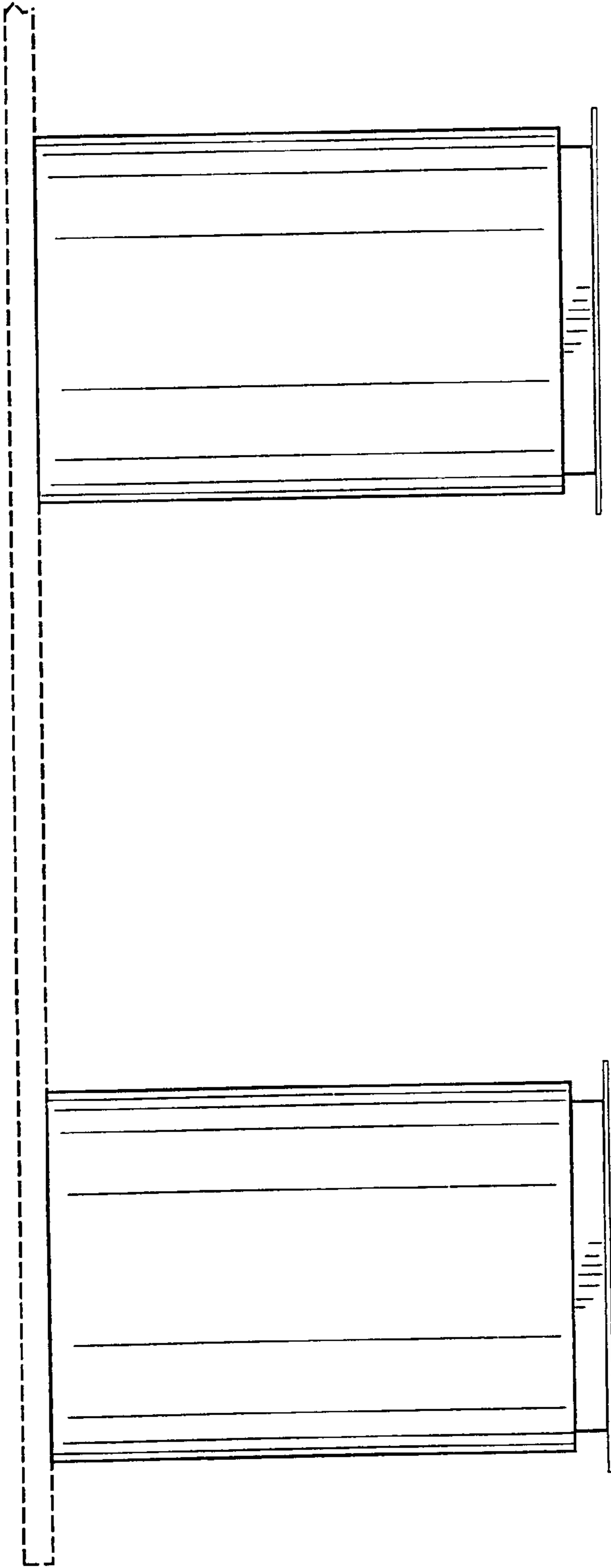


Fig. 9

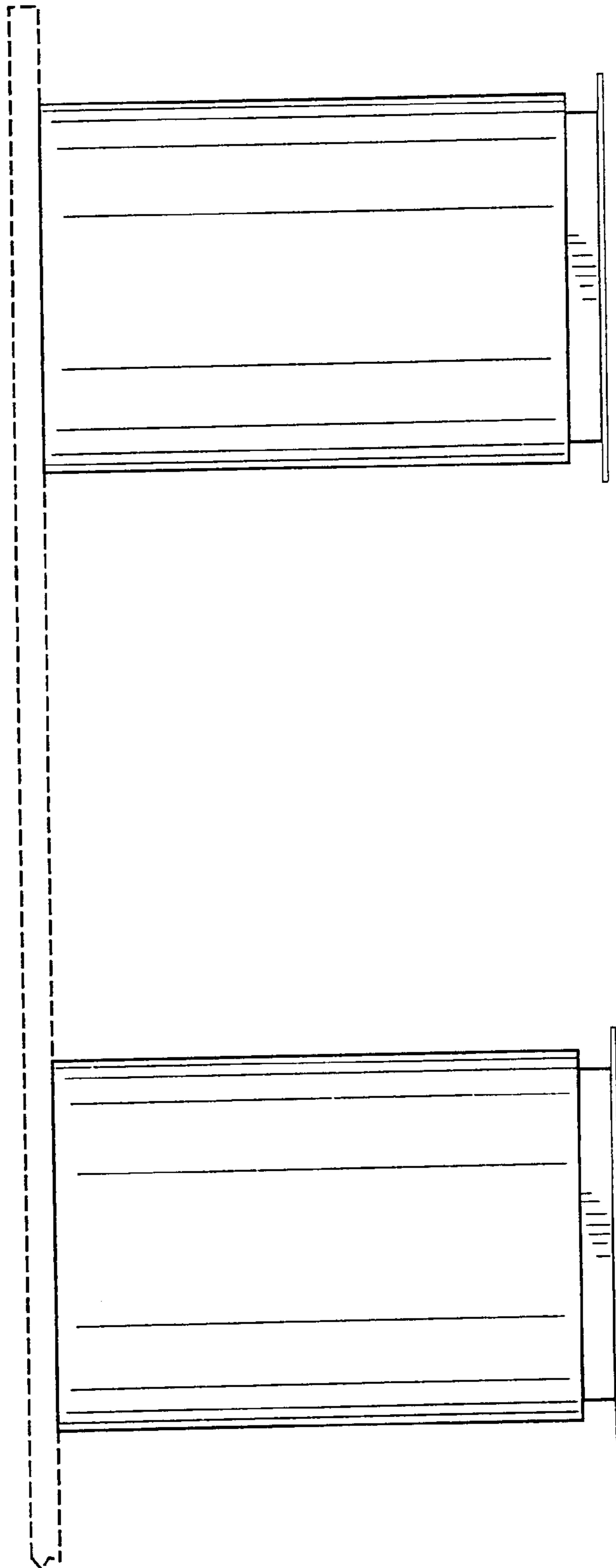


Fig. 10