

US00D528828S

(12) **United States Design Patent**
Sandler

(10) **Patent No.:** **US D528,828 S**

(45) **Date of Patent:** **** Sep. 26, 2006**

(54) **DISPLAY TABLE**

(76) **Inventor:** **Norman B. Sandler**, 1661 E. Olive Way, Suite 200, Seattle, WA (US) 98102

(**) **Term:** **14 Years**

(21) **Appl. No.:** **29/222,180**

(22) **Filed:** **Jan. 25, 2005**

(51) **LOC (8) Cl.** **06-03**

(52) **U.S. Cl.** **D6/480**

(58) **Field of Classification Search** D6/480-489, D6/495, 499, 450, 451, 474, 477, 479, 470; 108/25, 33, 38, 153.1, 155, 156, 161, 155.7; 248/188, 188.1, 188.8

See application file for complete search history.

(56) **References Cited**

U.S. PATENT DOCUMENTS

3,980,027	A	9/1976	Maes	
4,548,324	A	10/1985	Mackey, Jr.	
D305,842	S	* 2/1990	Herr	D6/480
5,363,772	A	11/1994	Adamidis	
5,833,080	A	11/1998	Donne	
5,971,171	A	10/1999	Thorp et al.	

D422,810	S	* 4/2000	Rasp	D6/480
D486,015	S	2/2004	de Blois	
D486,326	S	2/2004	Wanek et al.	
D490,254	S	5/2004	Stanton	
D502,617	S	* 3/2005	Chang	D6/480
D513,139	S	* 12/2005	Bibi	D6/480

* cited by examiner

Primary Examiner—Janice E. Seeger

(74) *Attorney, Agent, or Firm*—Christensen O'Connor Johnson Kindness pllc

(57) **CLAIM**

The ornamental design for a display table, as shown and described.

DESCRIPTION

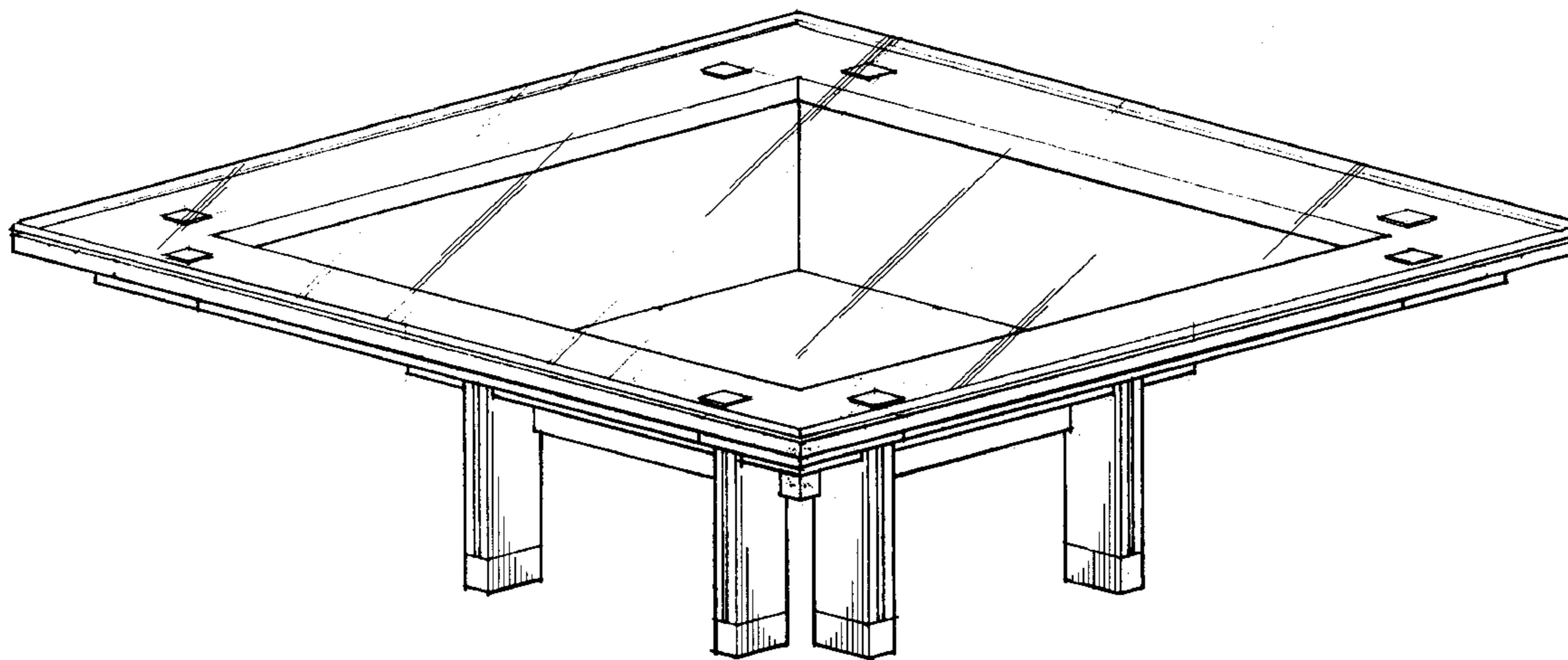
FIG. 1 is an isometric view of a display table design of the present invention.

FIG. 2 is a top plan view of the display table of the present invention.

FIG. 3 is a bottom view of the display table of the present invention.

FIG. 4 is a side elevational view of the display table; and, FIG. 5 is a side elevational view of the remaining three sides of the display table of the present invention.

1 Claim, 4 Drawing Sheets



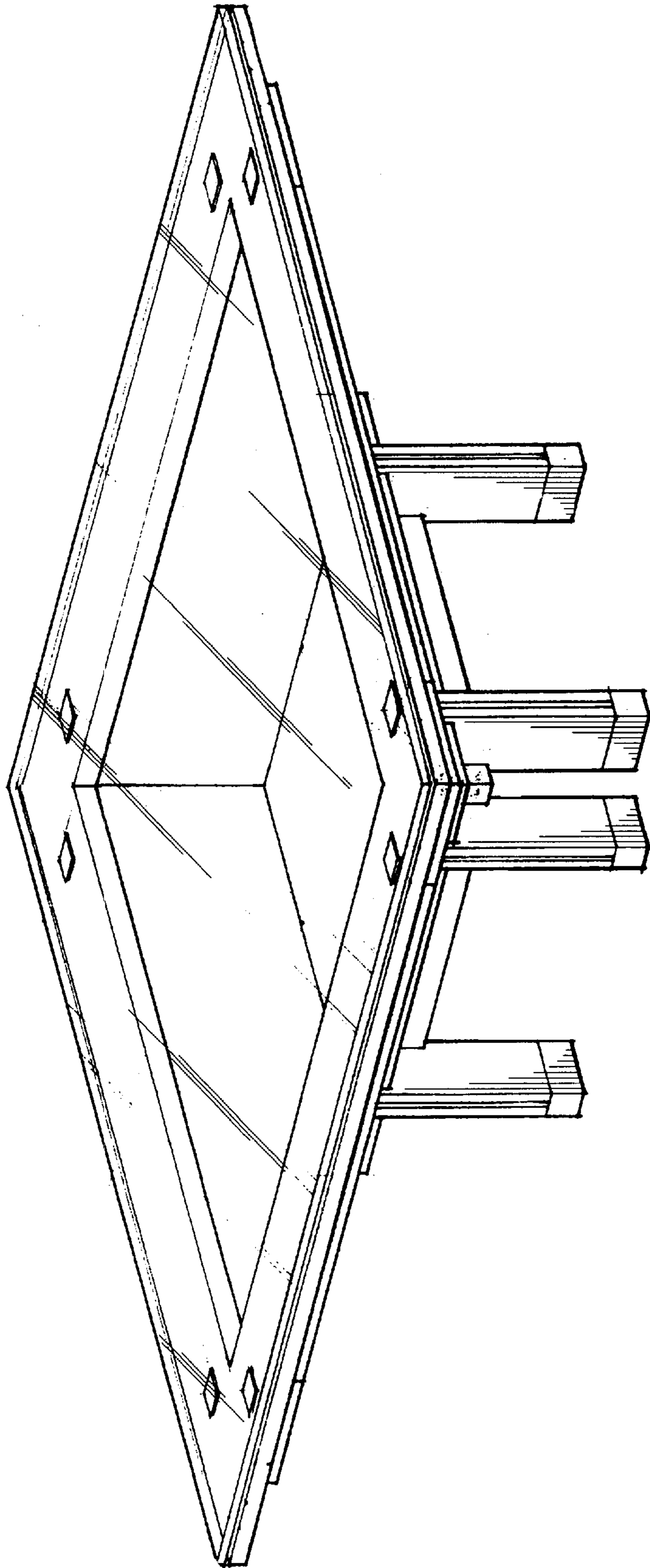


Fig. 1.

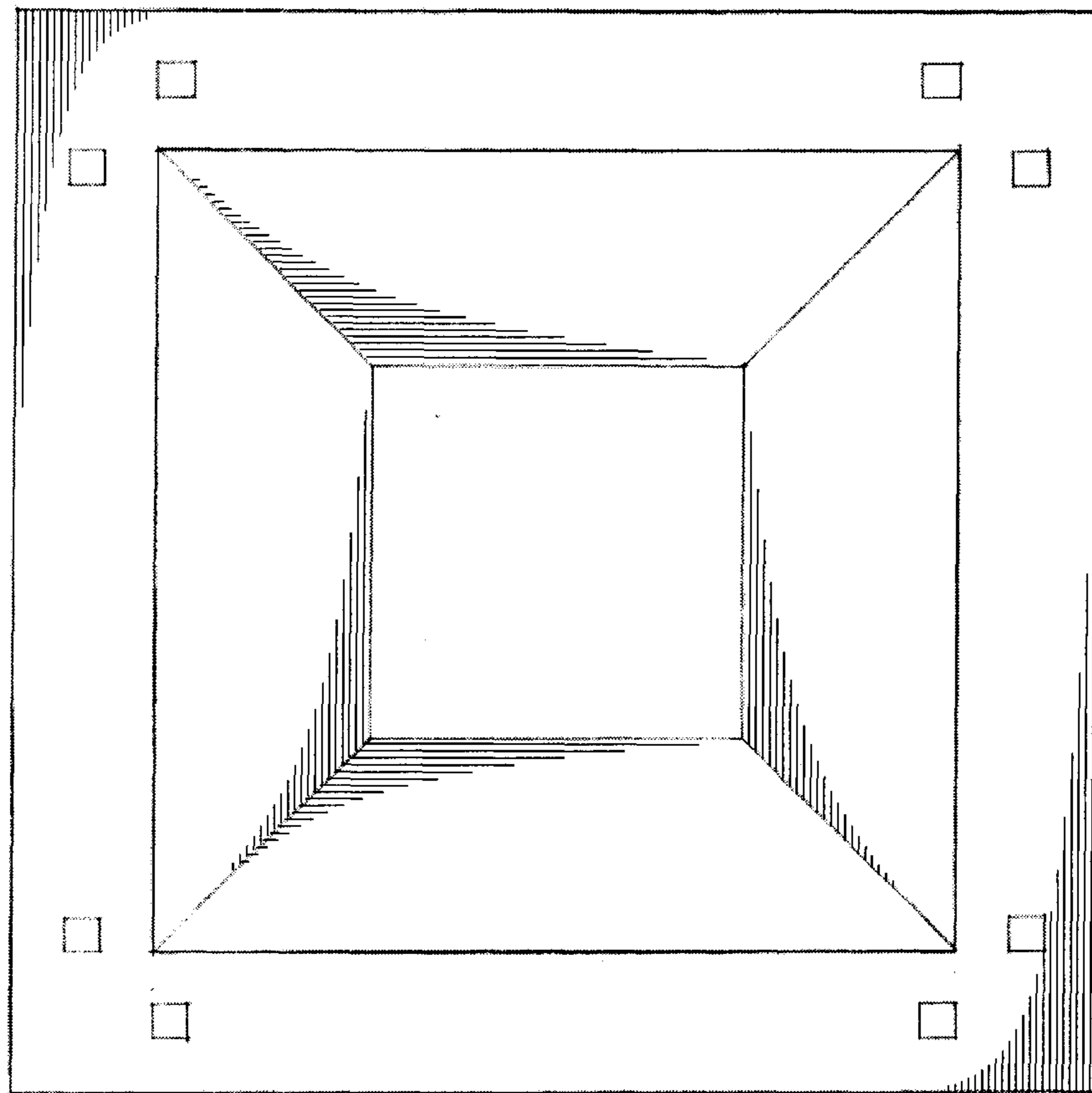


Fig.2.

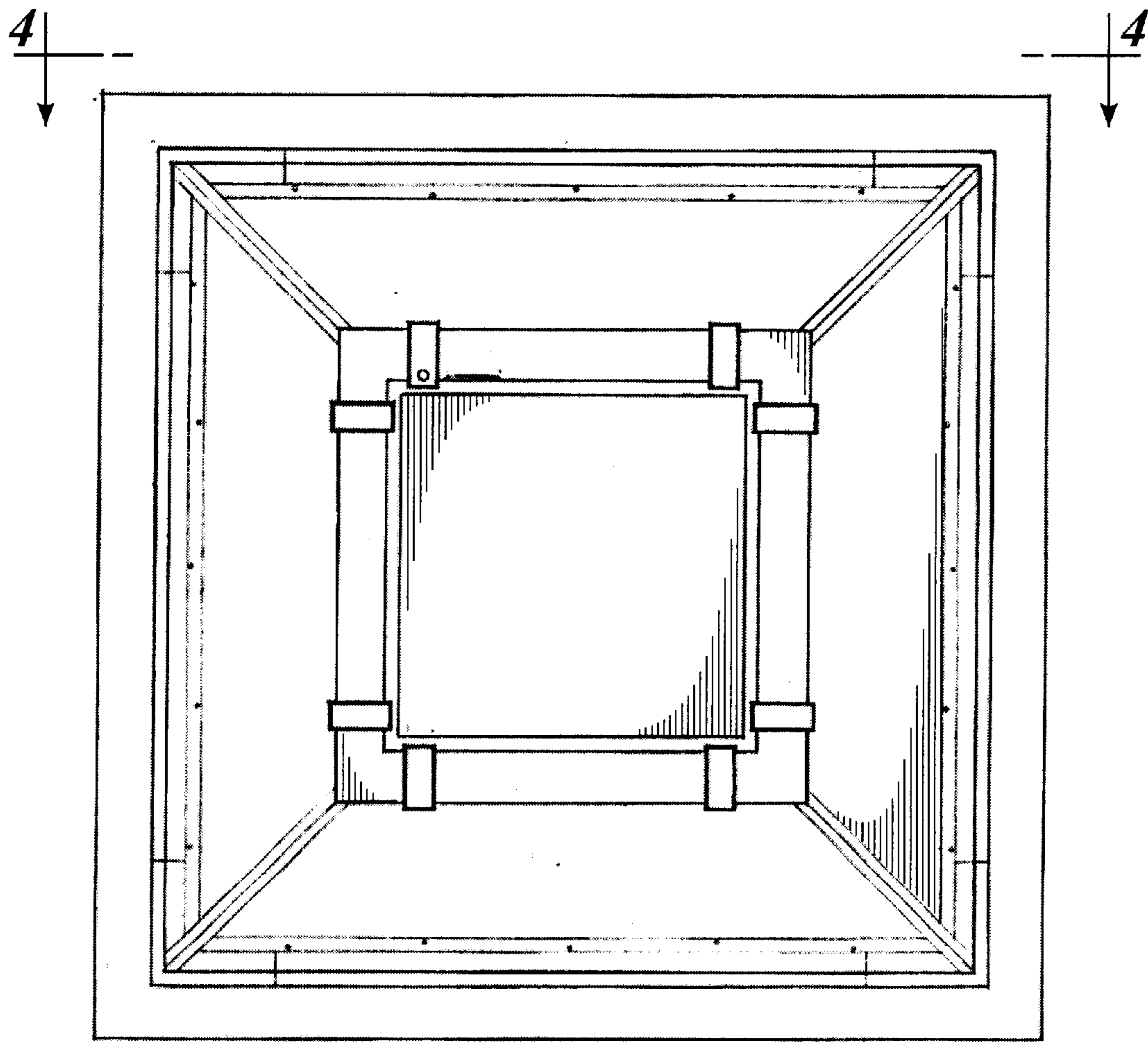


Fig. 3.

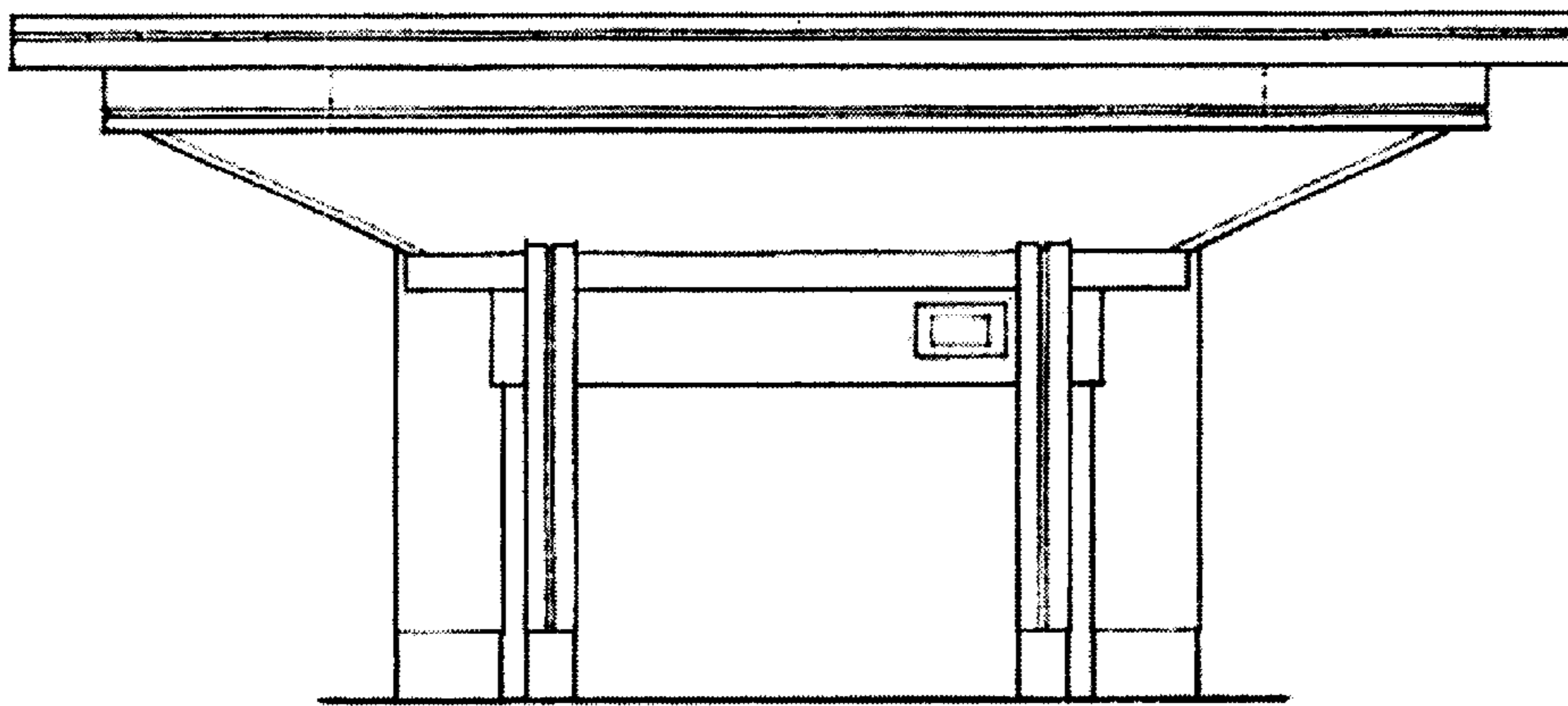


Fig. 4.

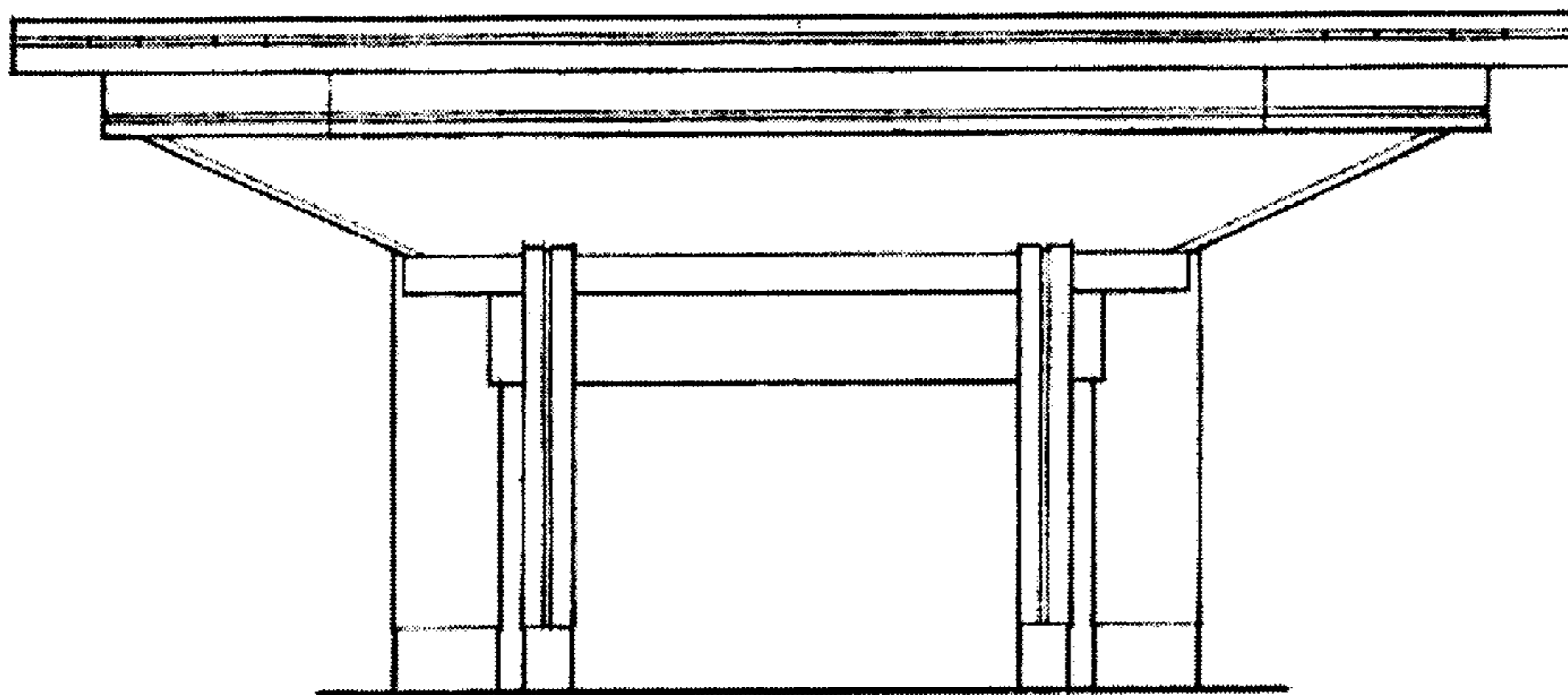


Fig. 5.