

US00D528823S

(12) **United States Design Patent**  
**Cook**

(10) **Patent No.:** **US D528,823 S**

(45) **Date of Patent:** **\*\* Sep. 26, 2006**

(54) **DRESSER**

D454,724 S 3/2002 Hokanson  
D468,930 S 1/2003 Berry, Jr. et al.

(75) Inventor: **Eric A. Cook**, Onalaska, WI (US)

*Primary Examiner*—Cathron C. Brooks

(73) Assignee: **Ashley Furniture Industries, Inc.**,  
Arcadia, WI (US)

(74) *Attorney, Agent, or Firm*—Patterson, Thuente, Skaar &  
Christensen, P.A.

(\*\*) Term: **14 Years**

(57) **CLAIM**

(21) Appl. No.: **29/240,277**

I claim the ornamental design for a dresser, as shown and described.

(22) Filed: **Oct. 11, 2005**

**DESCRIPTION**

**Related U.S. Application Data**

(63) Continuation of application No. 29/222,935, filed on Feb. 4, 2005, now abandoned.

FIG. 1 is a perspective view of a dresser according to an embodiment of the invention. The view from the front left side being a mirror image thereof.

(51) **LOC (8) Cl.** ..... **06-04**

FIG. 2 is a plan view of a dresser according to an embodiment of the invention.

(52) **U.S. Cl.** ..... **D6/441; D6/470**

FIG. 3 is a front elevational view of a dresser according to an embodiment of the invention; and,

(58) **Field of Classification Search** ..... D6/434,  
D6/436–447, 470; 312/114, 204, 224, 227  
See application file for complete search history.

FIG. 4 is a side elevational view of a dresser according to an embodiment of the invention. The elevational view of the opposite side being a mirror image thereof.

(56) **References Cited**

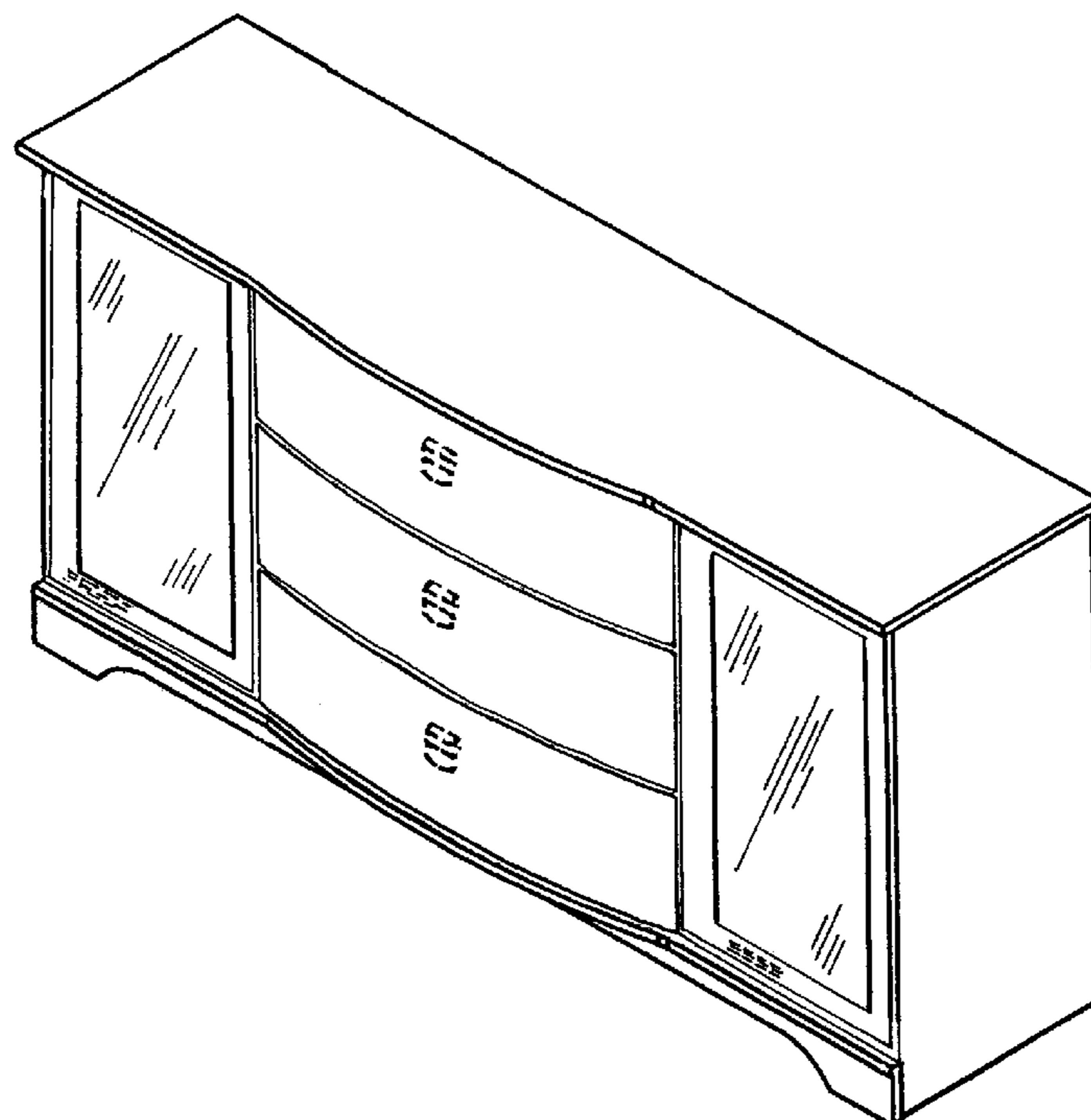
The back side and bottom side of the dresser are not shown and are not claimed as part of the invention.

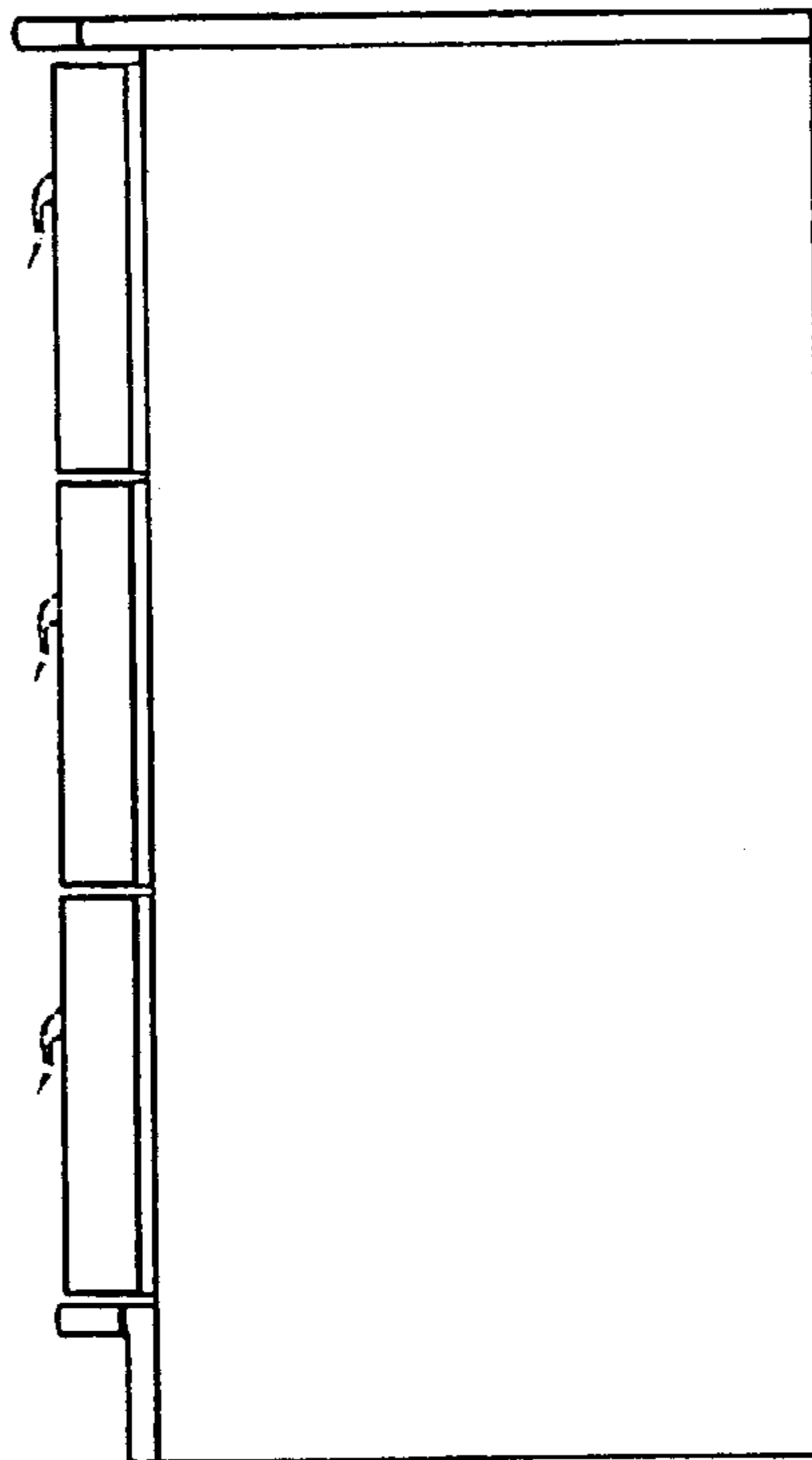
**U.S. PATENT DOCUMENTS**

The central rectangular panels are glass. Color is claimed as part of the invention only for the surface framing shading the glass panels. The surface shading along the perimeter of the glass panel depicts the color gray/silver. The shading is shown on only a portion of the delineated surface but the color extends across the entire delineated surface.

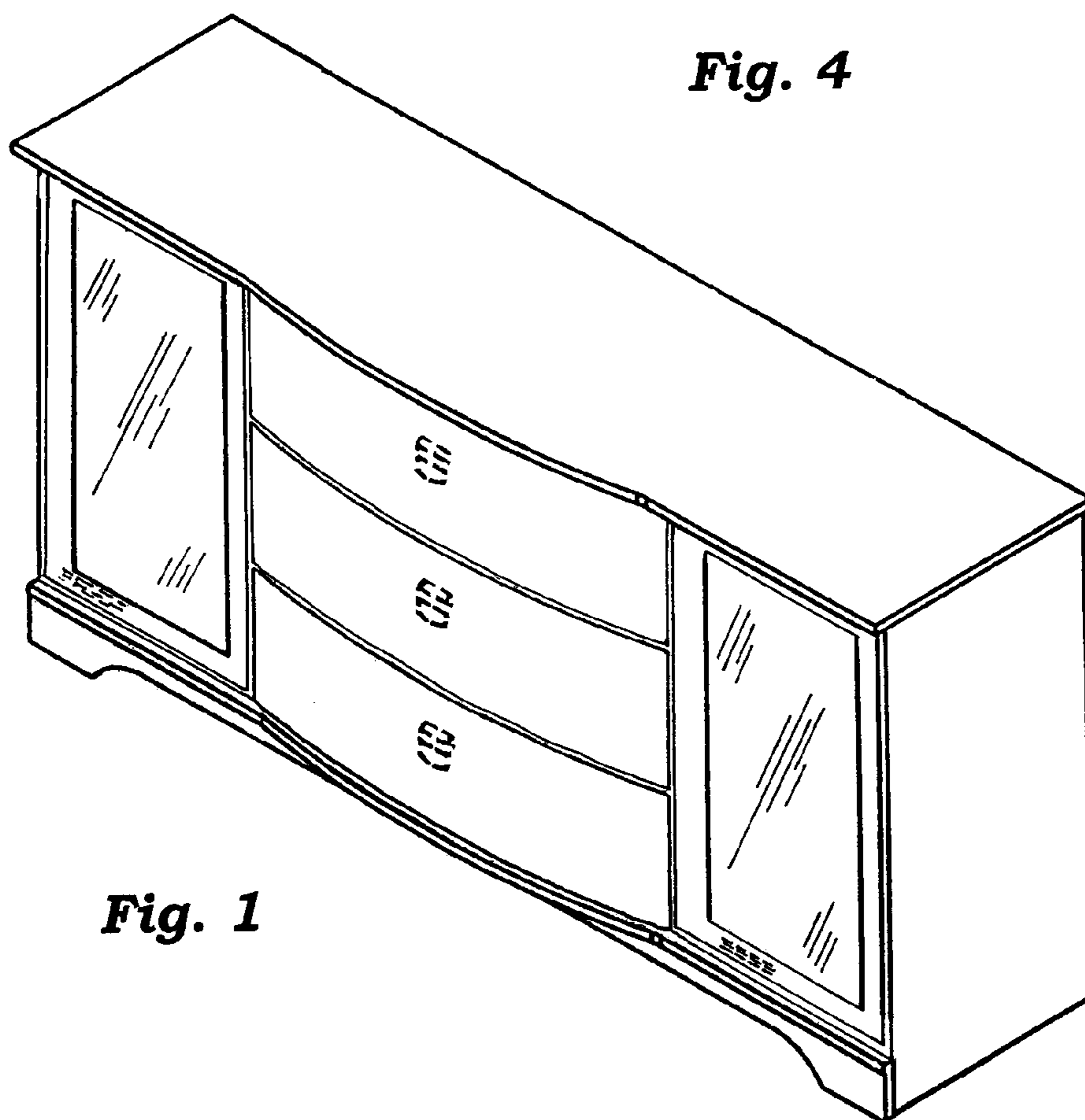
D185,710 S	7/1959	Herrmann
D308,775 S	6/1990	Diekman
D344,199 S	2/1994	Stephens
D416,144 S	11/1999	Walters, III et al.
D420,230 S	2/2000	Wanek et al.
D428,280 S	7/2000	Walters, III et al.
D439,439 S	3/2001	Hazen et al.
D439,767 S	4/2001	McDaniel et al.

**1 Claim, 2 Drawing Sheets**

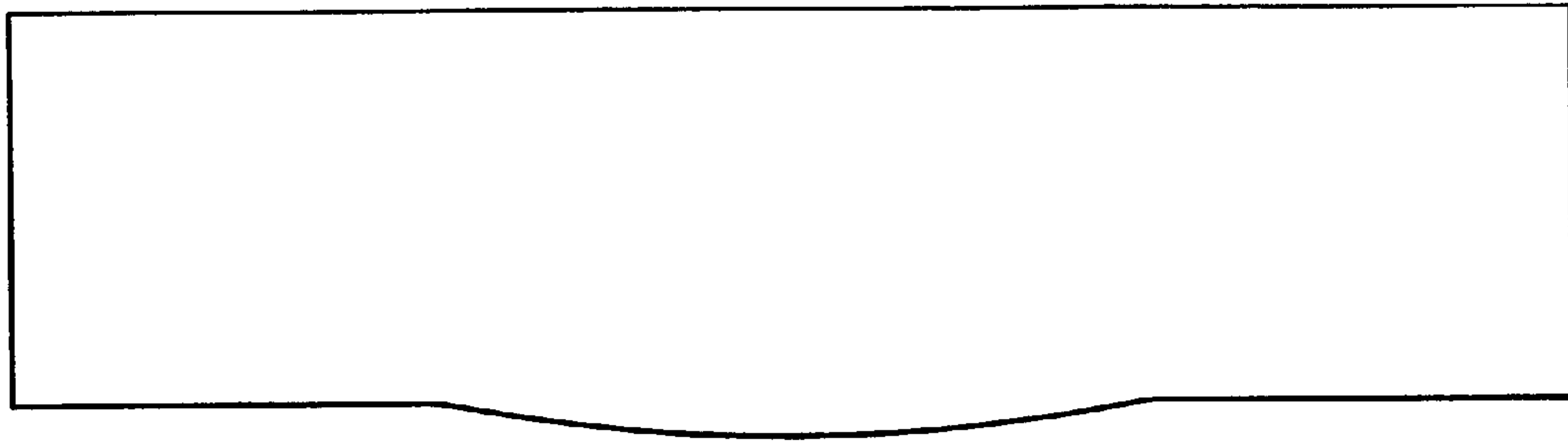




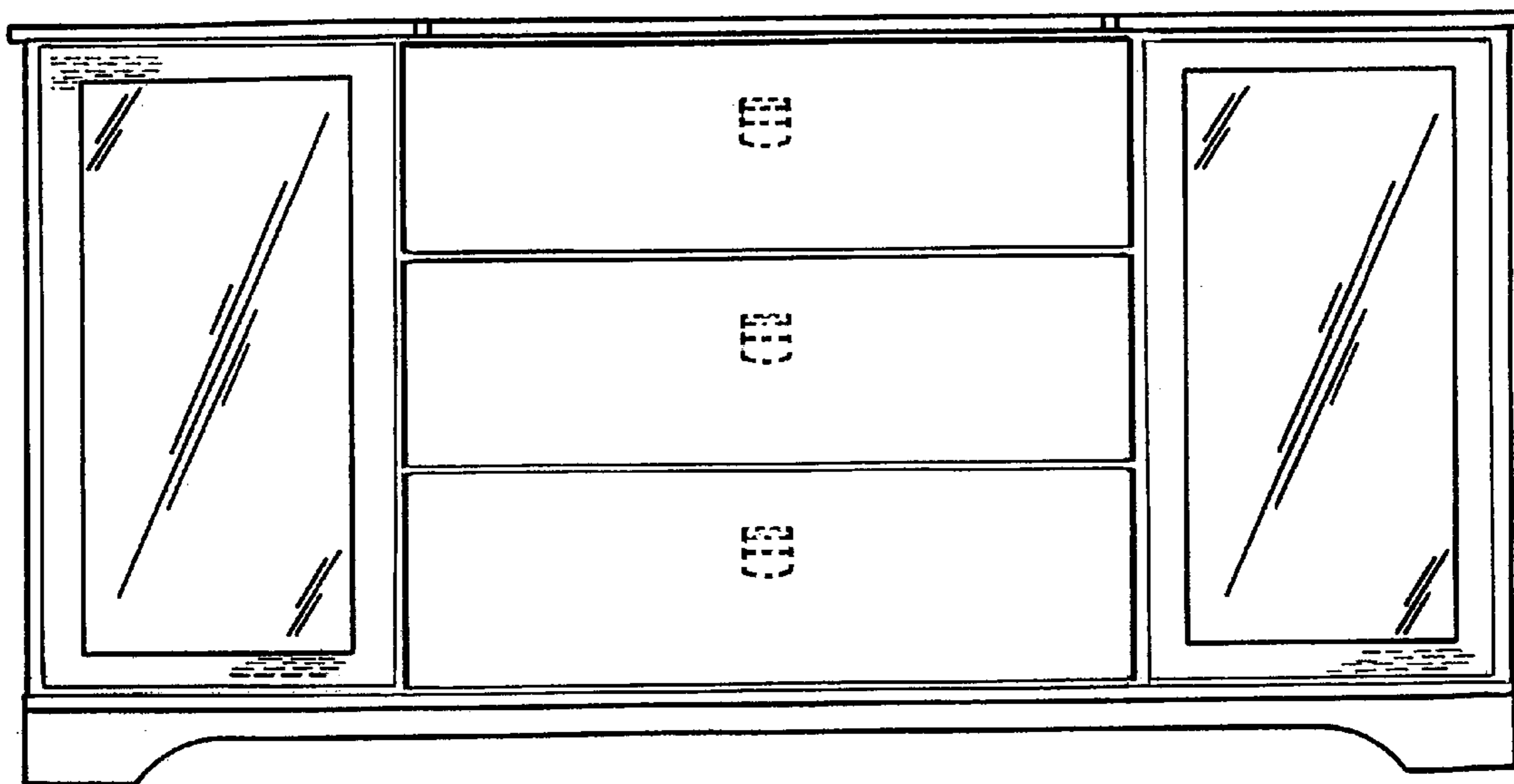
**Fig. 4**



**Fig. 1**



*Fig. 2*



*Fig. 3*