

US00D528822S

(12) **United States Design Patent**  
**Newhouse**

(10) **Patent No.:** **US D528,822 S**

(45) **Date of Patent:** **\*\* Sep. 26, 2006**

(54) **ADJUSTABLE HEIGHT WORK STATION**

(75) Inventor: **Thomas J. Newhouse**, Grand Rapids, MI (US)

(73) Assignee: **Hekman Furniture Company**, Grand Rapids, MI (US)

(\*\*) Term: **14 Years**

(21) Appl. No.: **29/219,585**

(22) Filed: **Dec. 17, 2004**

(51) **LOC (8) Cl.** ..... **06-03**

(52) **U.S. Cl.** ..... **D6/429; D6/480; D6/422**

(58) **Field of Classification Search** ..... D6/422-426, D6/429, 480, 474; 108/50.01, 50.02, 147.19, 108/147.1, 144.11; 312/194-196, 203, 239; 248/188.5

See application file for complete search history.

5,598,788 A	2/1997	Jonker
5,678,892 A	10/1997	Heitlinger
D401,224 S	11/1998	Mollenkopf et al.
6,027,086 A	2/2000	Heitlinger et al.
D429,086 S *	8/2000	Coburn et al. .... D6/422
6,119,605 A	9/2000	Agee
6,196,648 B1	3/2001	Henriott
6,202,567 B1	3/2001	Funk et al.
6,209,840 B1	4/2001	Chen
6,312,069 B1	11/2001	Weng
6,327,985 B1	12/2001	Frenkler et al.
6,354,231 B1	3/2002	Morris
6,374,754 B1	4/2002	Chang
6,422,668 B1	7/2002	Kelley et al.
6,510,803 B1	1/2003	Agee
6,520,461 B1	2/2003	Graham
6,546,880 B1	4/2003	Agee
6,662,732 B1	12/2003	Birsel et al.
2002/0084390 A1	7/2002	Parisi et al.
2002/0092448 A1	7/2002	Park
2003/0102700 A1	6/2003	Lin
2005/0248239 A1 *	11/2005	Newhouse et al. .... 312/194

\* cited by examiner

*Primary Examiner*—Janice Seeger

(74) *Attorney, Agent, or Firm*—Warner, Norcross & Judd LLP

(56) **References Cited**

U.S. PATENT DOCUMENTS

1,075,964 A	10/1913	Colling
1,540,616 A	6/1925	Hagopian
1,715,134 A	5/1929	Koenig
1,838,352 A	12/1931	Anderson
2,378,852 A	6/1945	James
2,931,685 A	4/1960	Butler
3,183,861 A	5/1965	Halstrick
3,667,713 A	6/1972	Clarke
3,744,872 A	7/1973	Akin, Jr. et al.
3,875,712 A	4/1975	Thompson
4,191,111 A	3/1980	Emmert
4,715,075 A	12/1987	Shamie
5,107,775 A	4/1992	Langlais et al.
D367,379 S *	2/1996	Nicholson et al. .... D6/429
5,495,811 A	3/1996	Carson et al.
5,522,642 A	6/1996	Herzog
5,536,068 A	7/1996	Valentor et al.
5,549,053 A	8/1996	Grout
5,562,052 A	10/1996	Glashouwer et al.
5,588,376 A *	12/1996	Seidl et al. .... 108/106

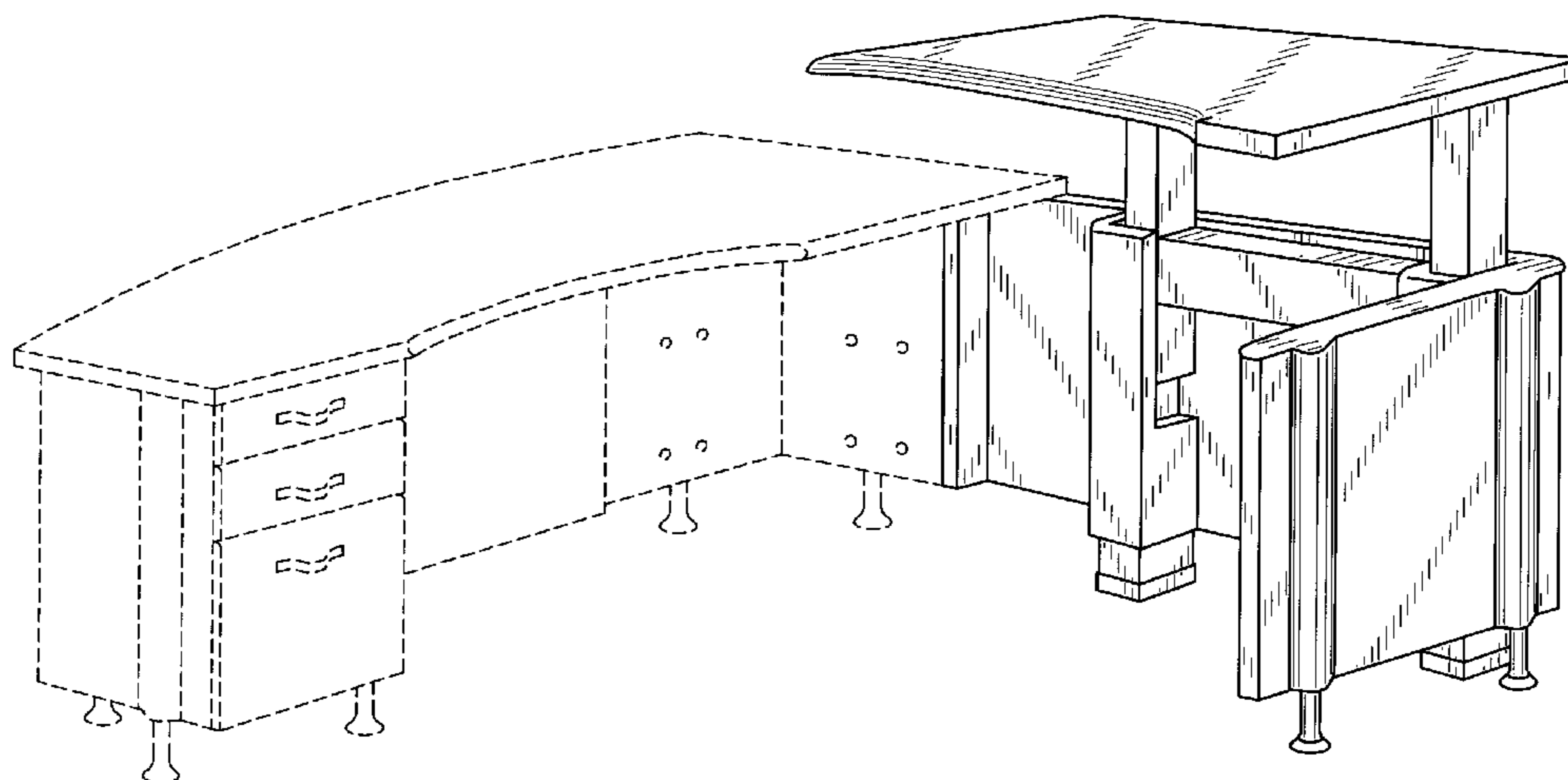
(57) **CLAIM**

The ornamental design for an adjustable height work station, as shown and described.

**DESCRIPTION**

FIG. 1 is a perspective view showing the adjustable height work station of my new design; FIG. 2 is a front elevation view thereof; FIG. 3 is a back elevation view thereof; FIG. 4 is a left side elevation view thereof; FIG. 5 is a right side elevation view thereof; FIG. 6 a top plan view thereof; and, FIG. 7 is a bottom plan view thereof.

**1 Claim, 4 Drawing Sheets**



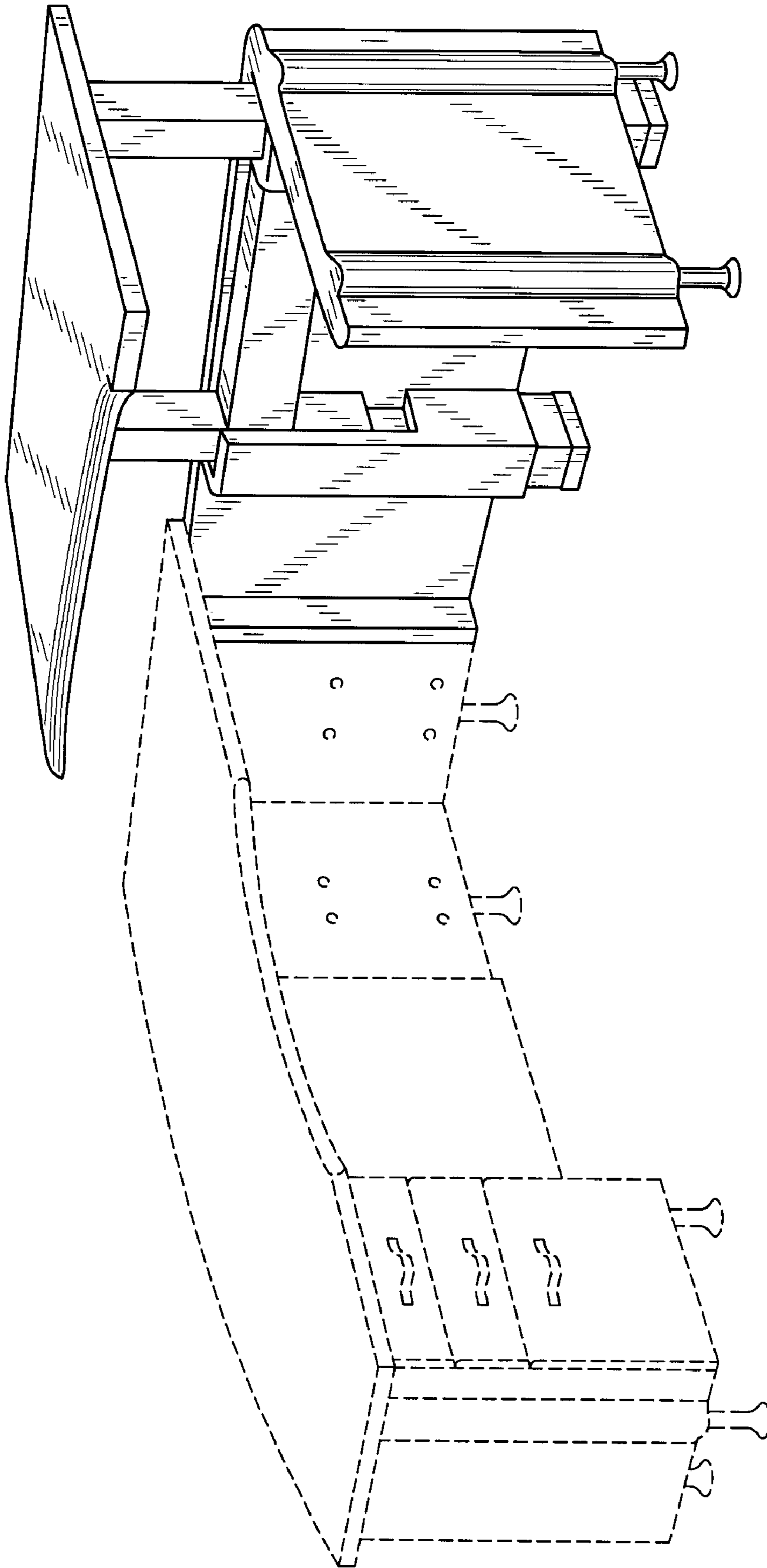


FIG. 1

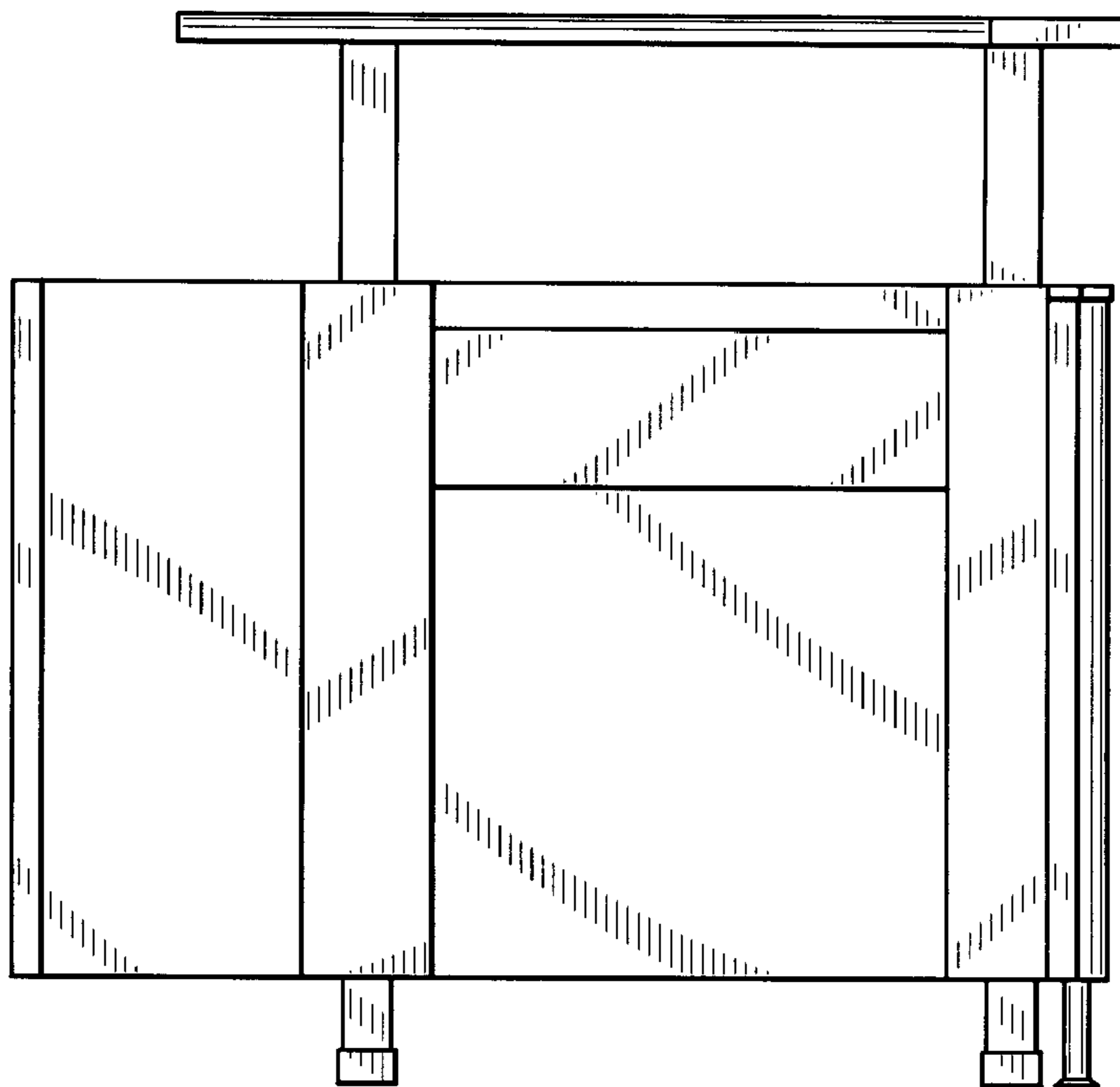


FIG. 2

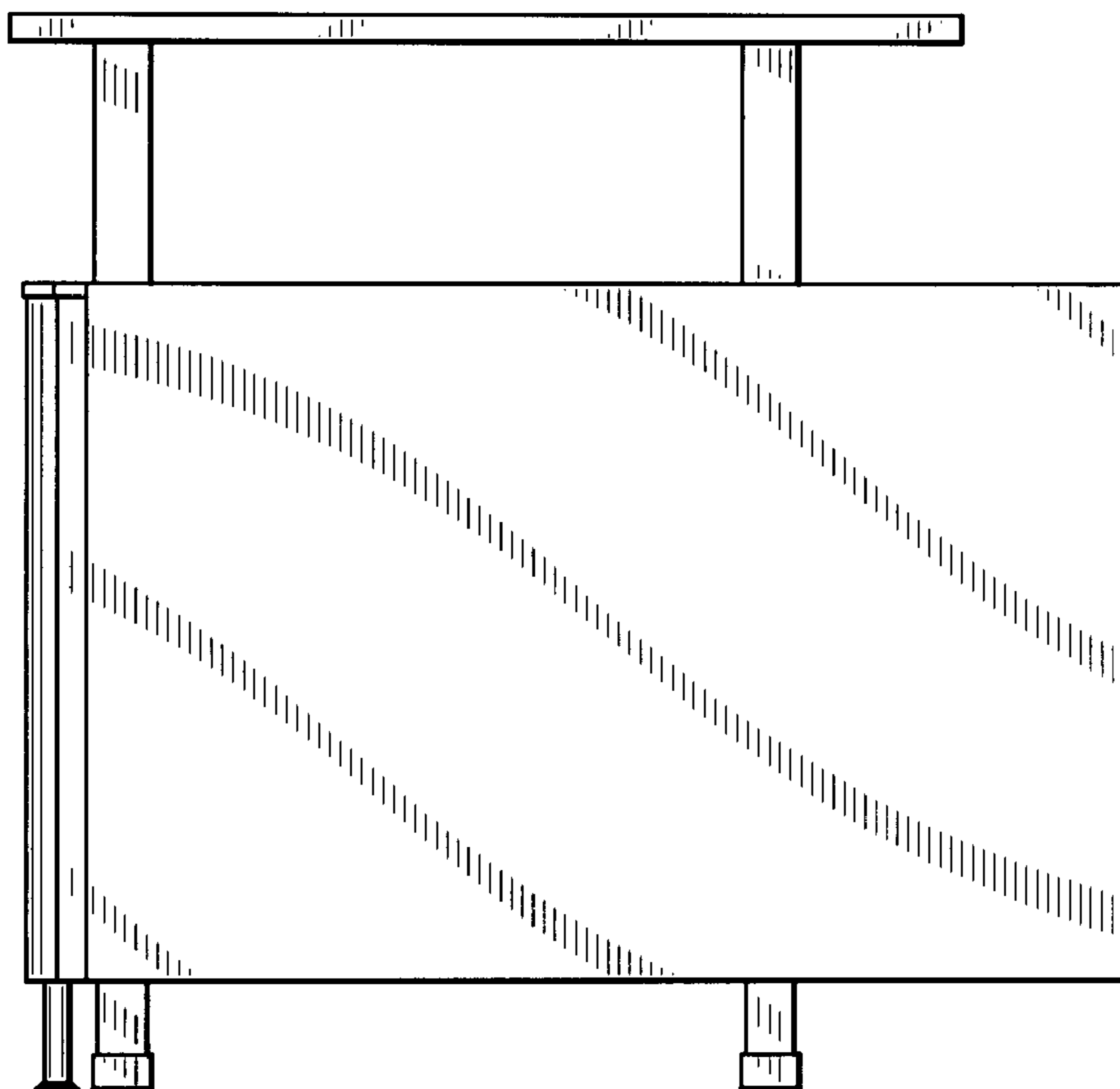


FIG. 3

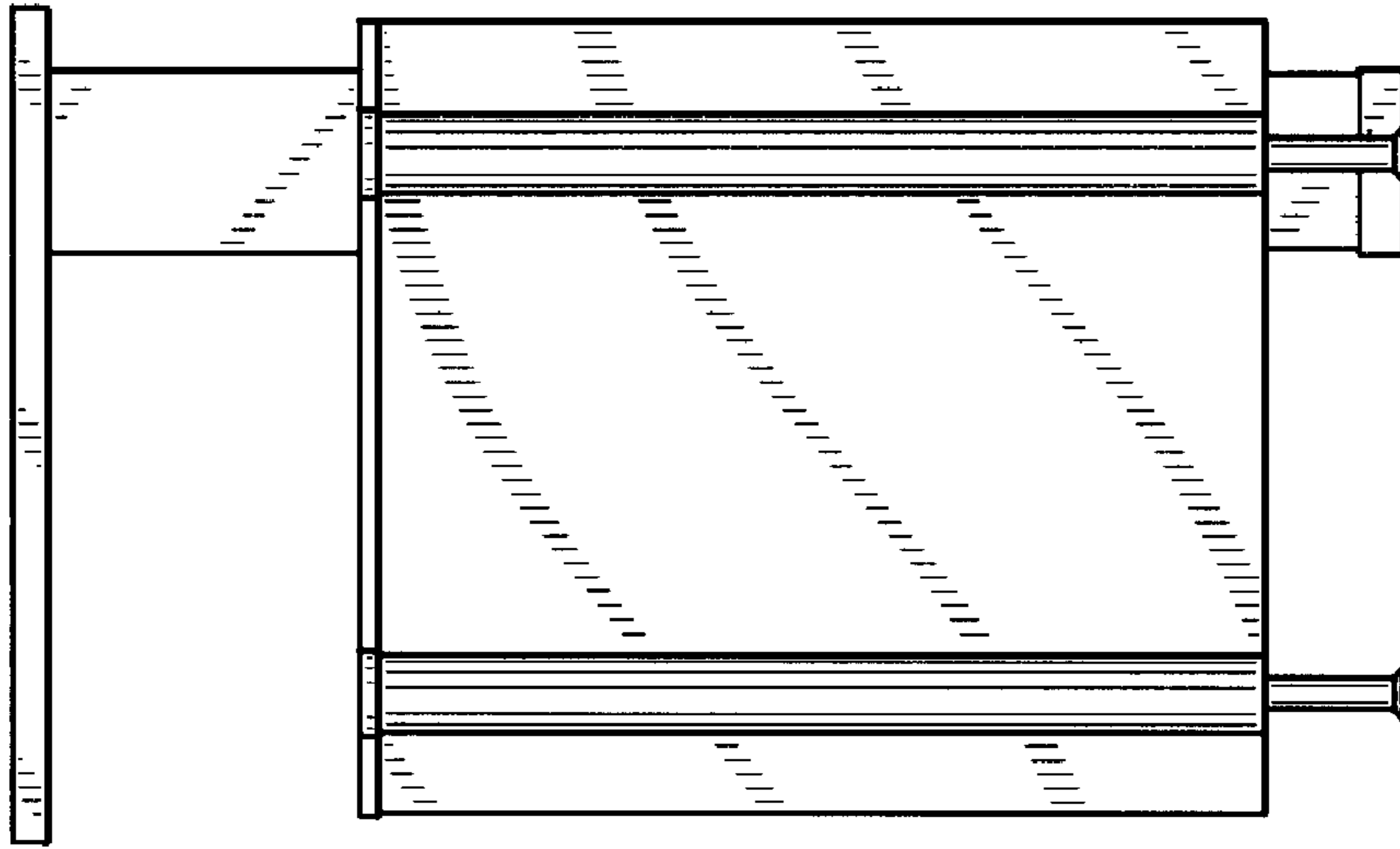


FIG. 5

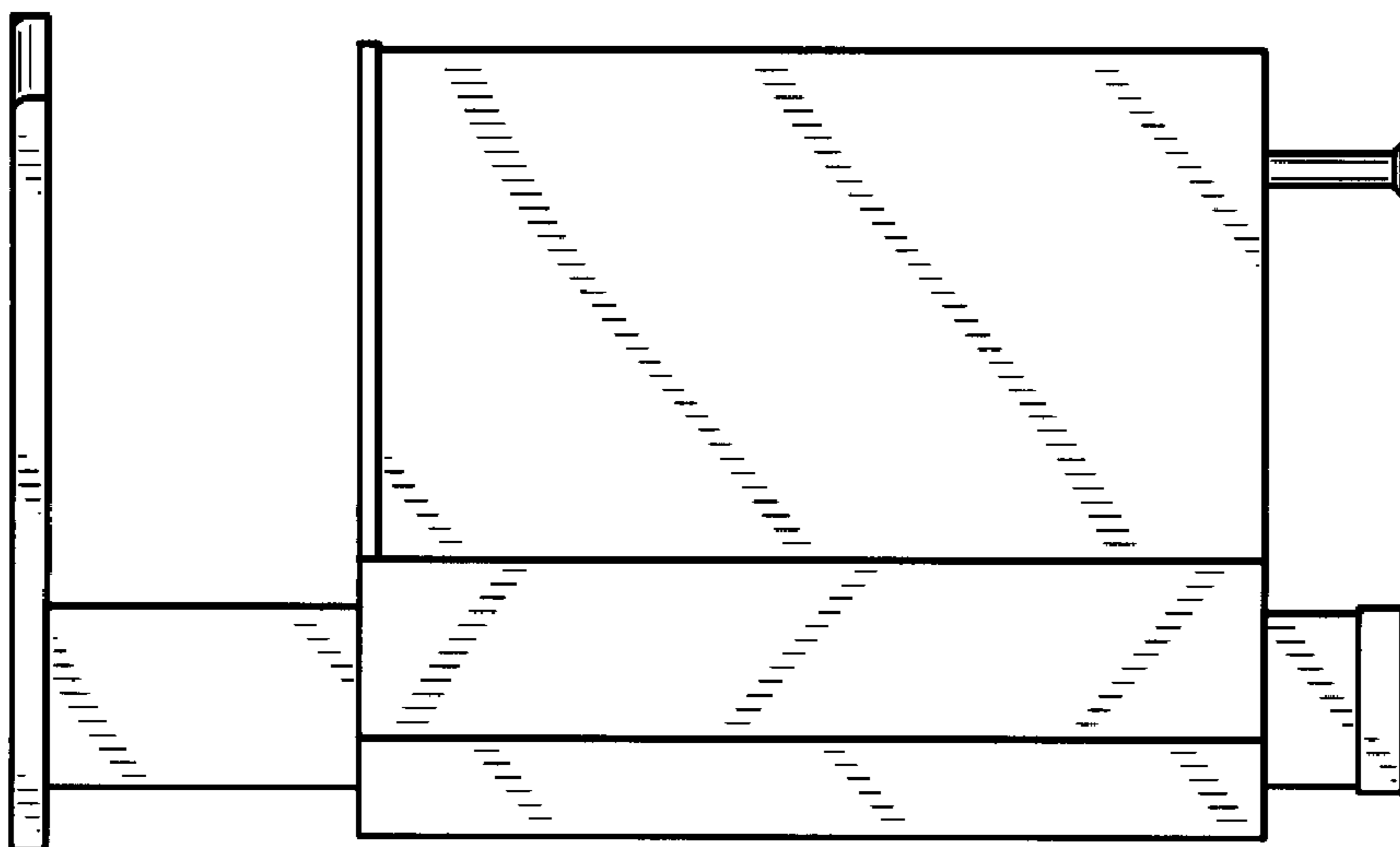


FIG. 4

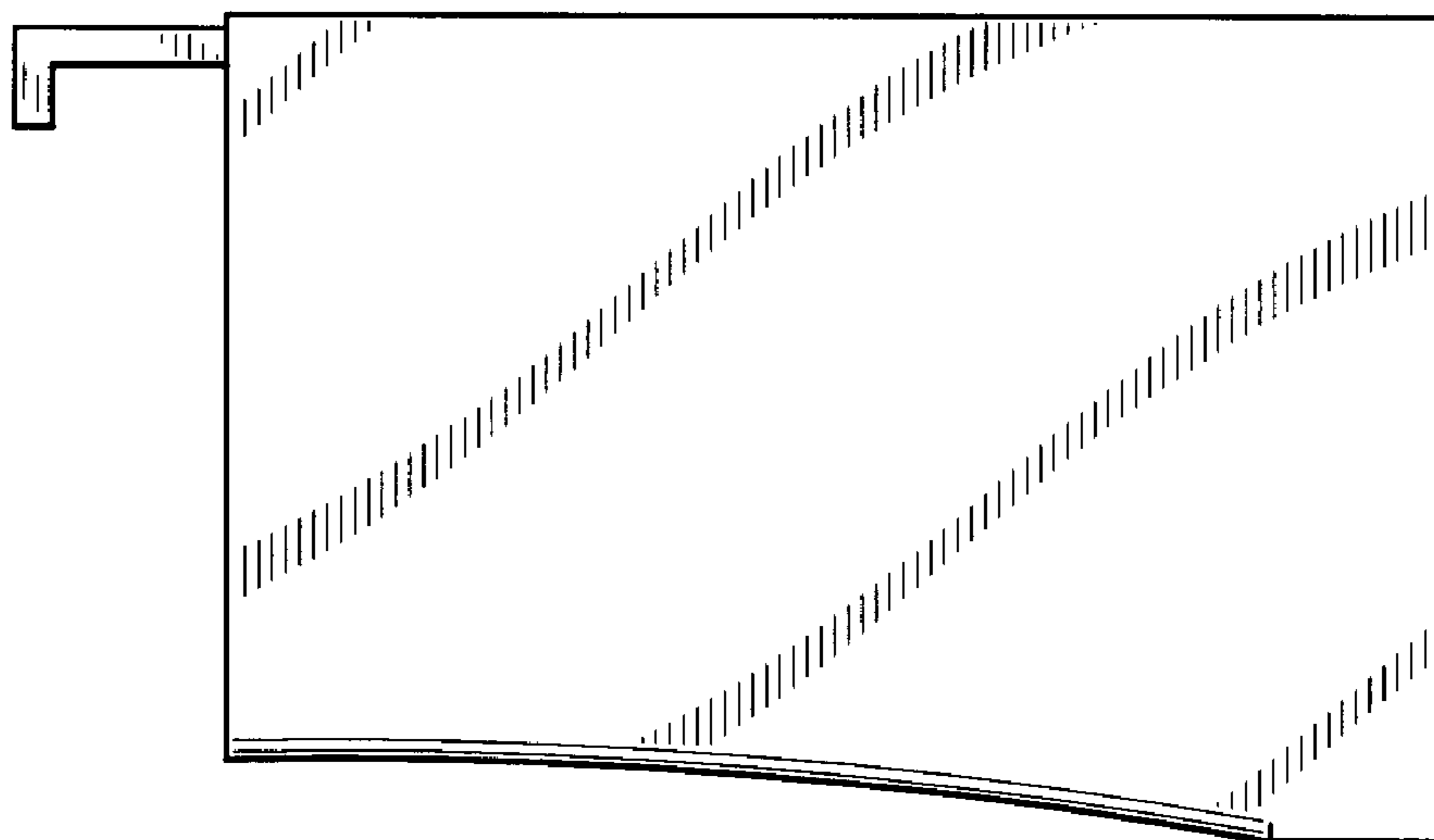


FIG. 6

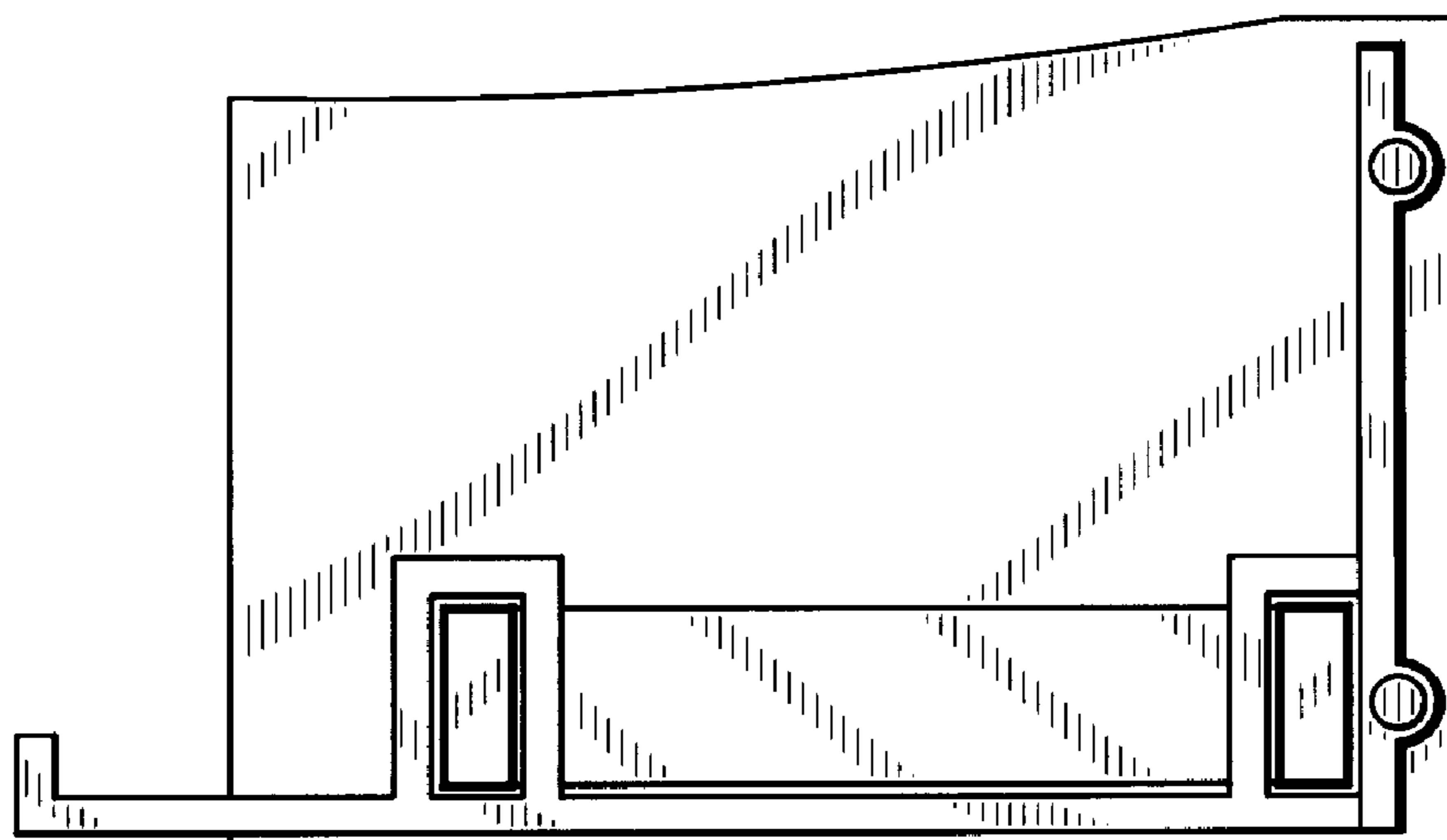


FIG. 7