



US00D528814S

(12) **United States Design Patent**  
**Tseng**

(10) **Patent No.:** **US D528,814 S**  
(45) **Date of Patent:** **\*\* Sep. 26, 2006**

(54) **CHAIR**  
(75) Inventor: **Chuen-Jong Tseng**, Chiayi Hsien (TW)  
(73) Assignee: **Taiwan Shin Yeh Enterprise Co., Ltd.**,  
Chiayi Hsien (TW)  
(\*\*) Term: **14 Years**

D454,710 S \* 3/2002 Tseng ..... D6/379  
D454,712 S \* 3/2002 Tseng ..... D6/370  
D454,713 S \* 3/2002 Tseng ..... D6/376  
D457,343 S \* 5/2002 Tseng ..... D6/370  
D485,694 S \* 1/2004 Tseng ..... D6/376  
D487,198 S \* 3/2004 Tseng ..... D6/376  
D512,580 S \* 12/2005 Tseng ..... D6/376  
D517,340 S \* 3/2006 Tseng ..... D6/376

(21) Appl. No.: **29/254,307**  
(22) Filed: **Feb. 21, 2006**

\* cited by examiner  
*Primary Examiner*—Mimosa De  
(74) *Attorney, Agent, or Firm*—Ladas & Parry LLP

(51) **LOC (8) Cl.** ..... **06-01**  
(52) **U.S. Cl.** ..... **D6/376; D6/370**  
(58) **Field of Classification Search** ..... D6/334–335,  
D6/358, 369, 370, 376, 379, 380, 500–502;  
297/445.1, 446.1, 452.63, 452.64  
See application file for complete search history.

(57) **CLAIM**

The ornamental design for chair, as shown and described.

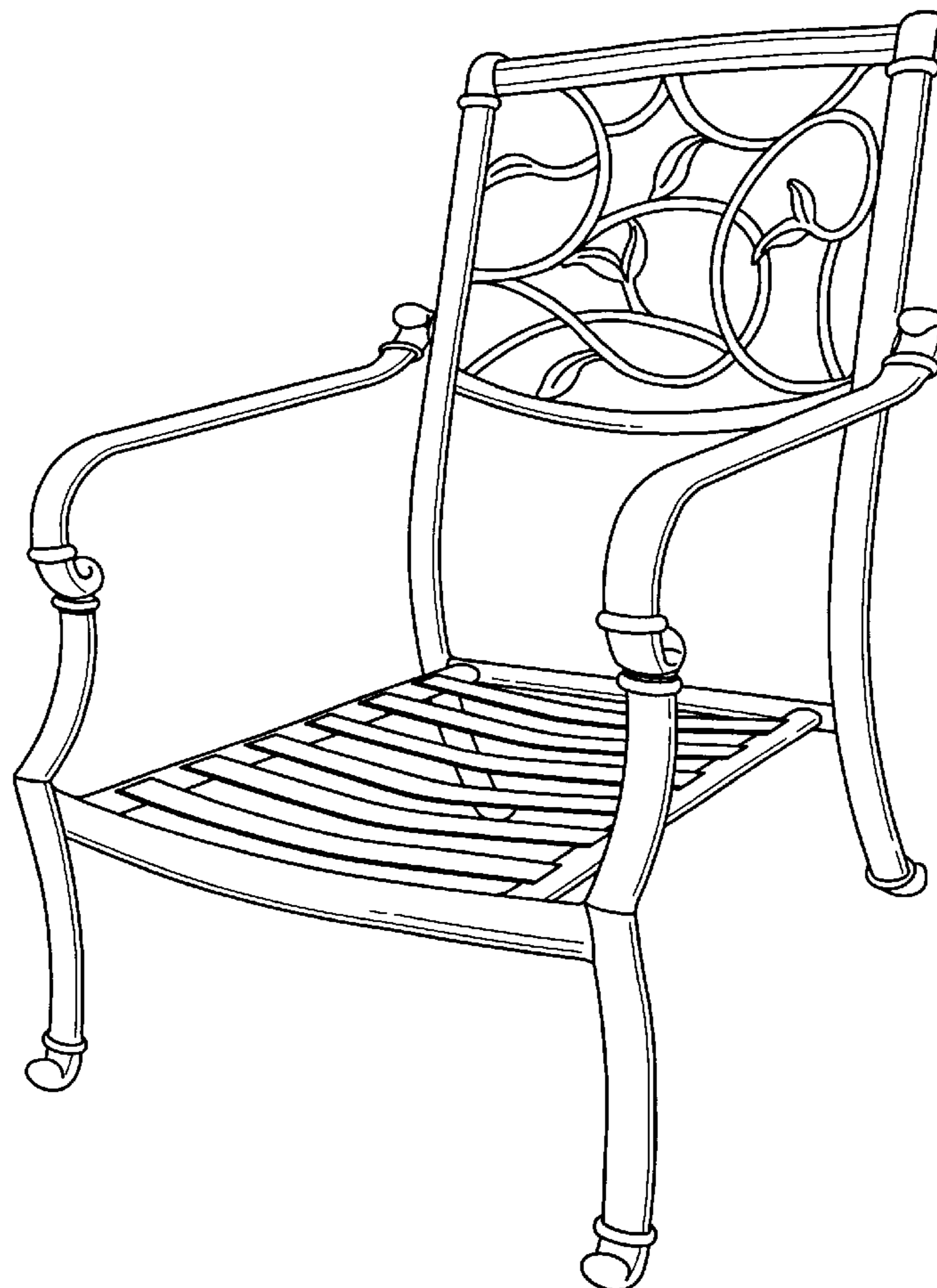
**DESCRIPTION**

FIG. 1 is a perspective view of chair showing my new design;  
FIG. 2 is a front elevational view thereof;  
FIG. 3 is a rear elevational view thereof;  
FIG. 4 is a left side elevational view thereof;  
FIG. 5 is a right side elevational view thereof;  
FIG. 6 is a top plan view thereof; and,  
FIG. 7 is a bottom plan view thereof.

(56) **References Cited**  
U.S. PATENT DOCUMENTS

D423,806 S \* 5/2000 Tseng ..... D6/369  
D426,718 S \* 6/2000 Gaylord et al. .... D6/376  
D434,239 S \* 11/2000 Tseng ..... D6/369  
D436,750 S \* 1/2001 Tseng ..... D6/370  
D440,065 S \* 4/2001 Goodman ..... D6/376

**1 Claim, 4 Drawing Sheets**



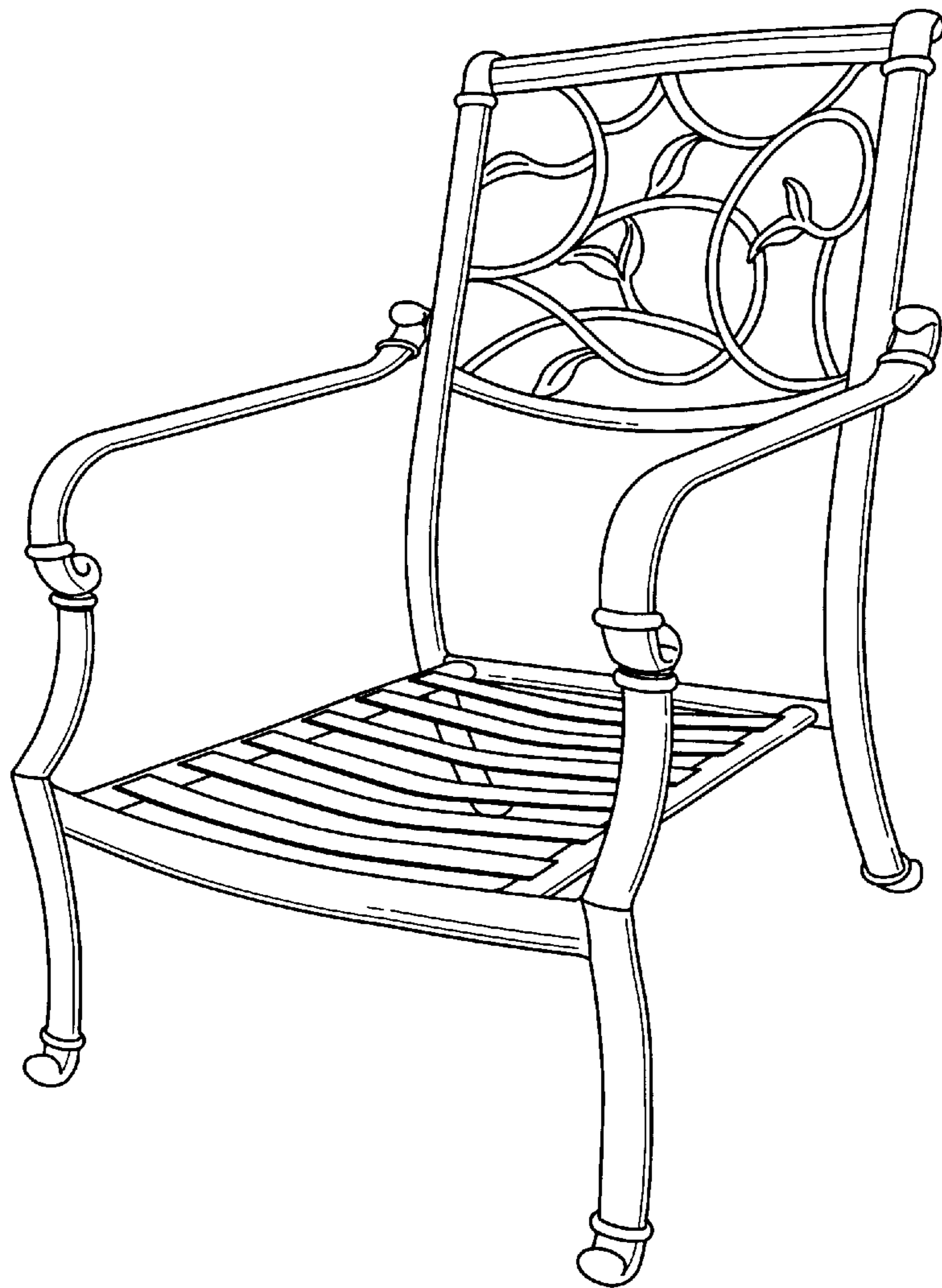


FIG. 1

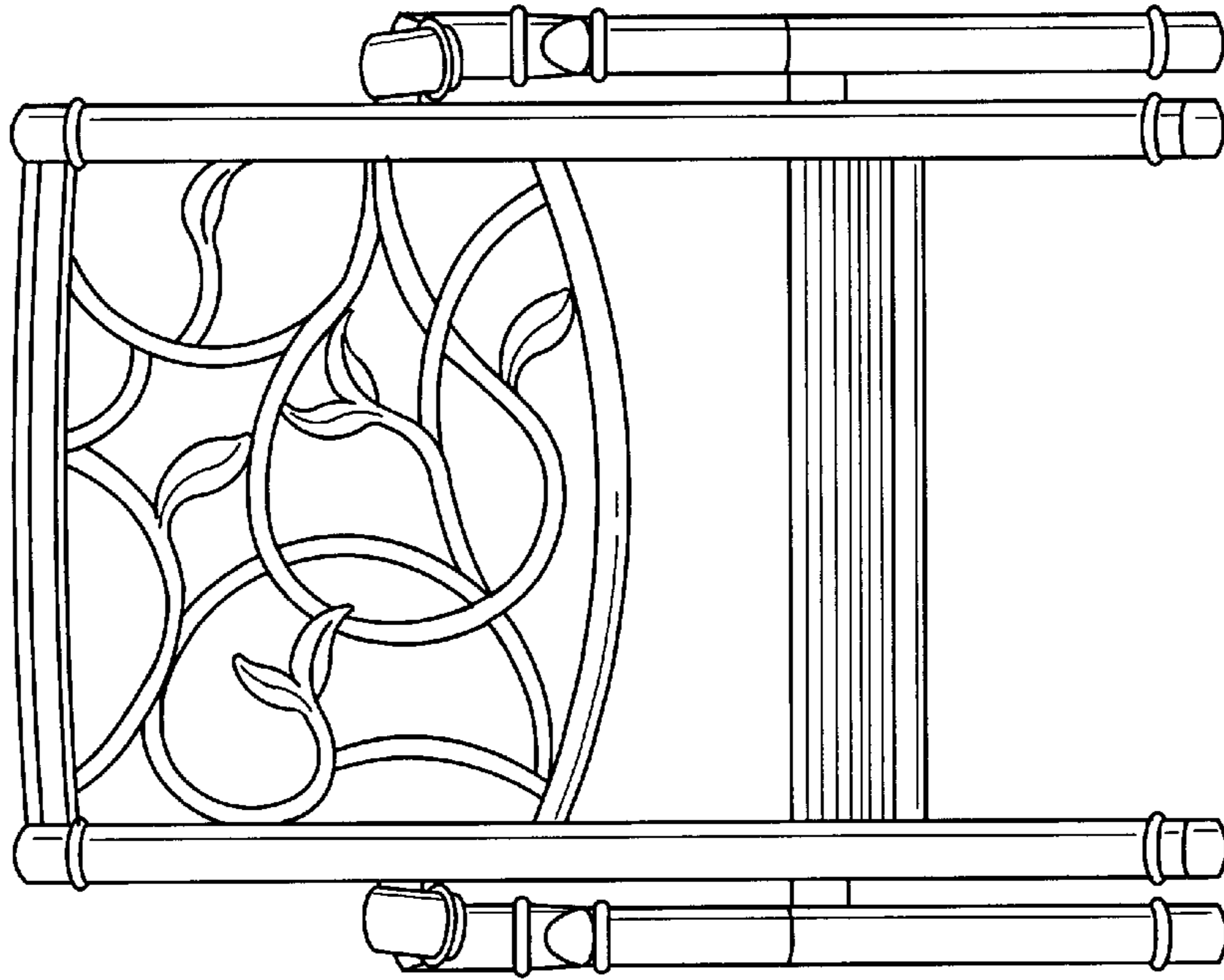


FIG. 3

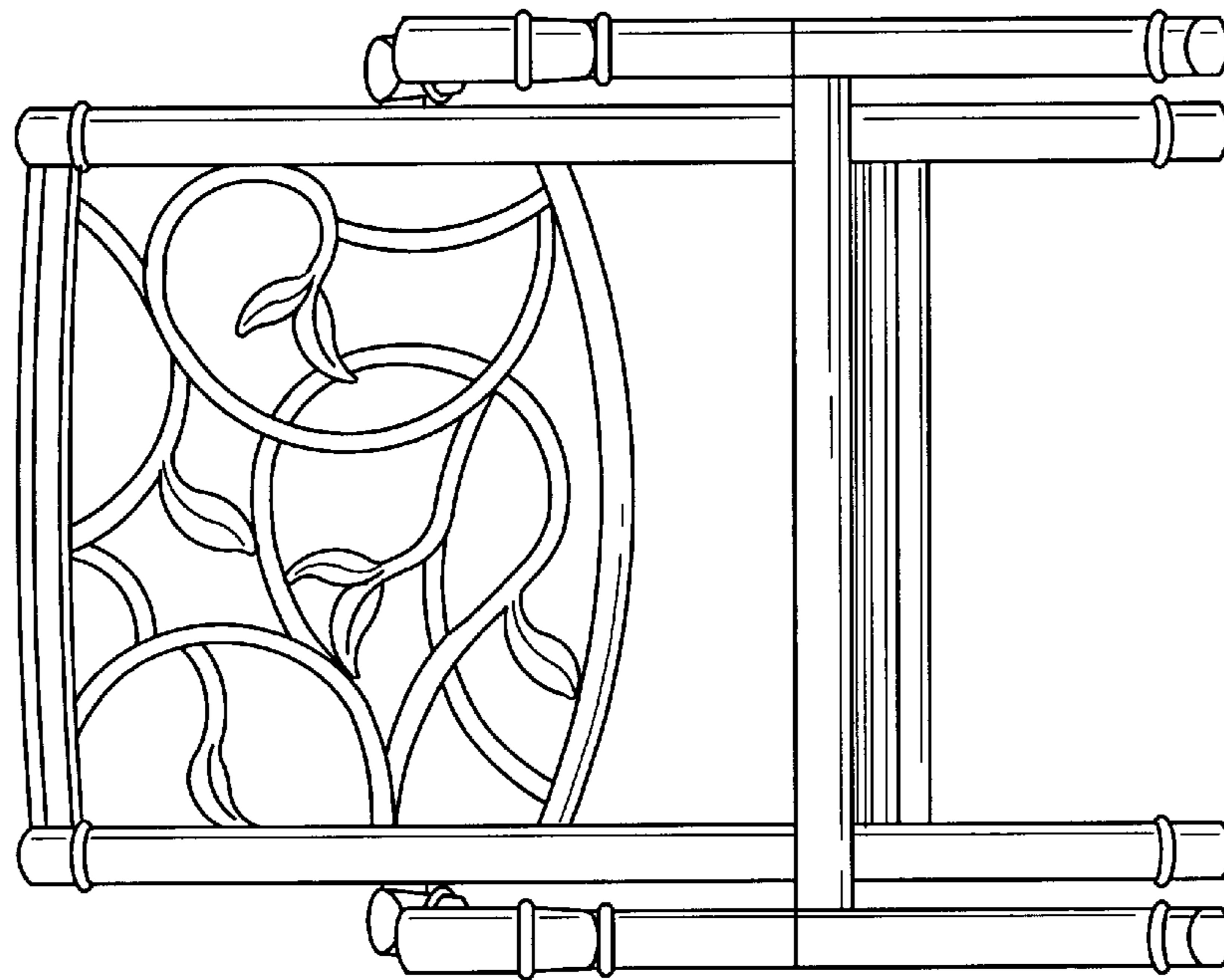


FIG. 2

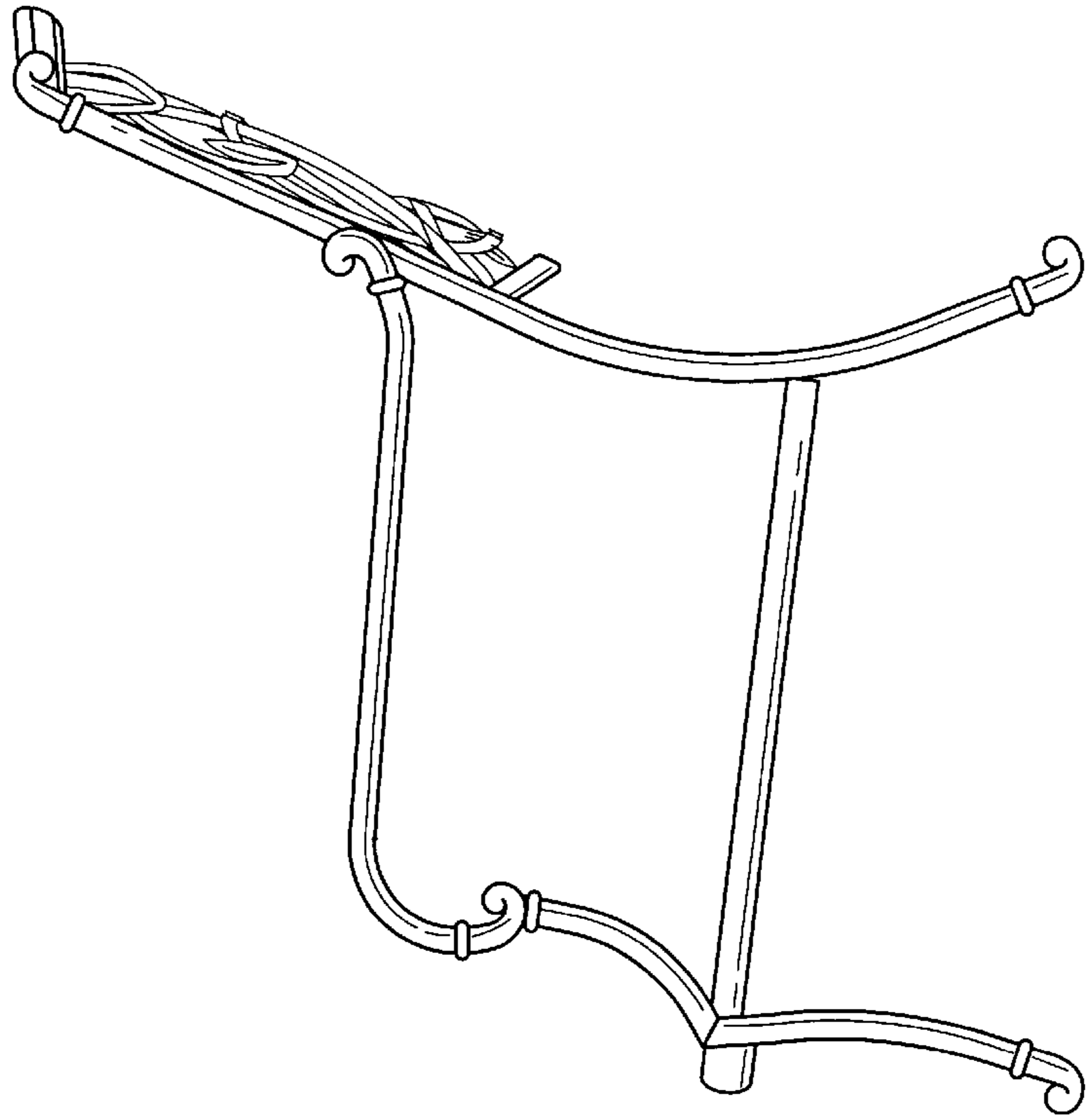


FIG. 5

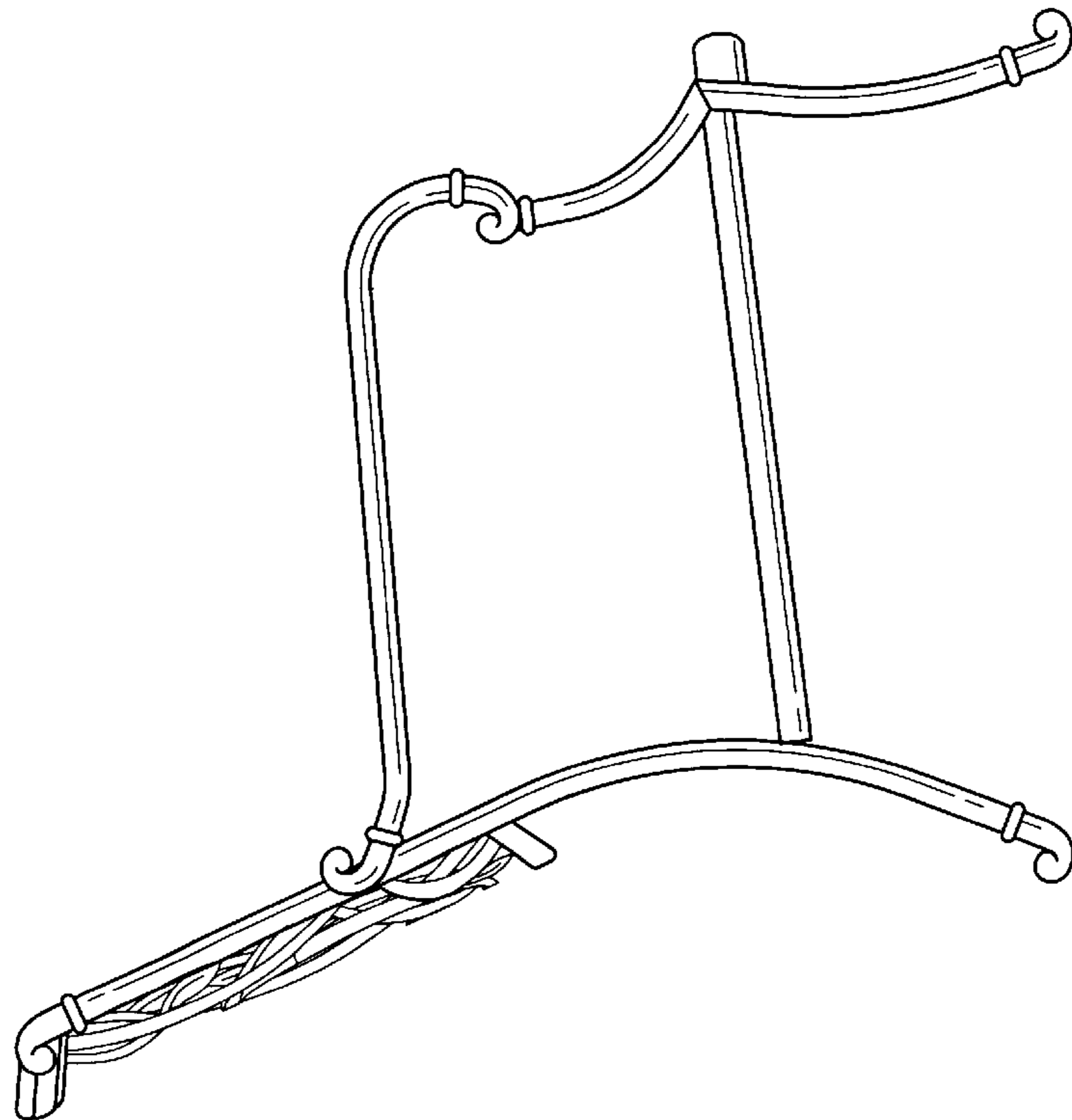


FIG. 4

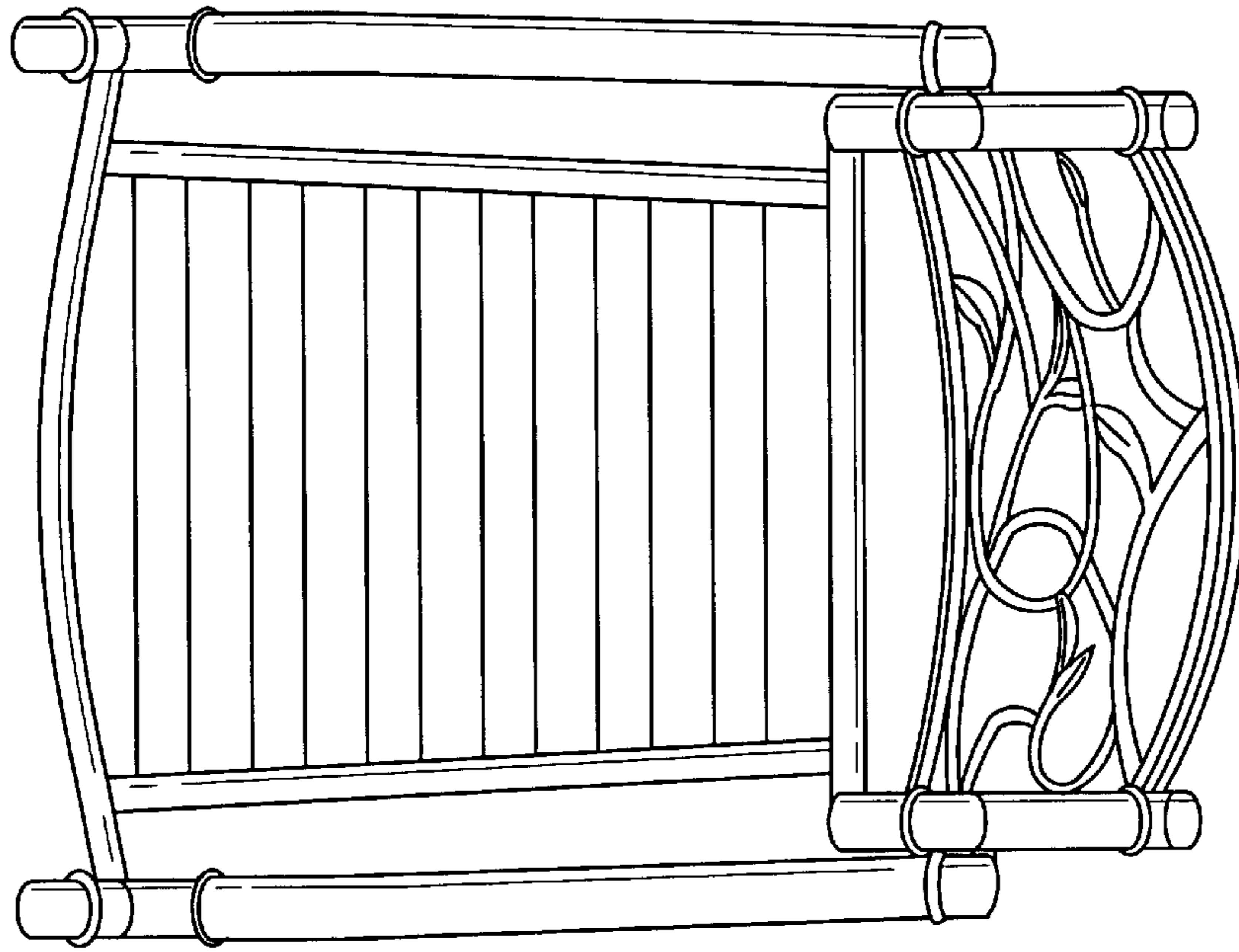


FIG. 7

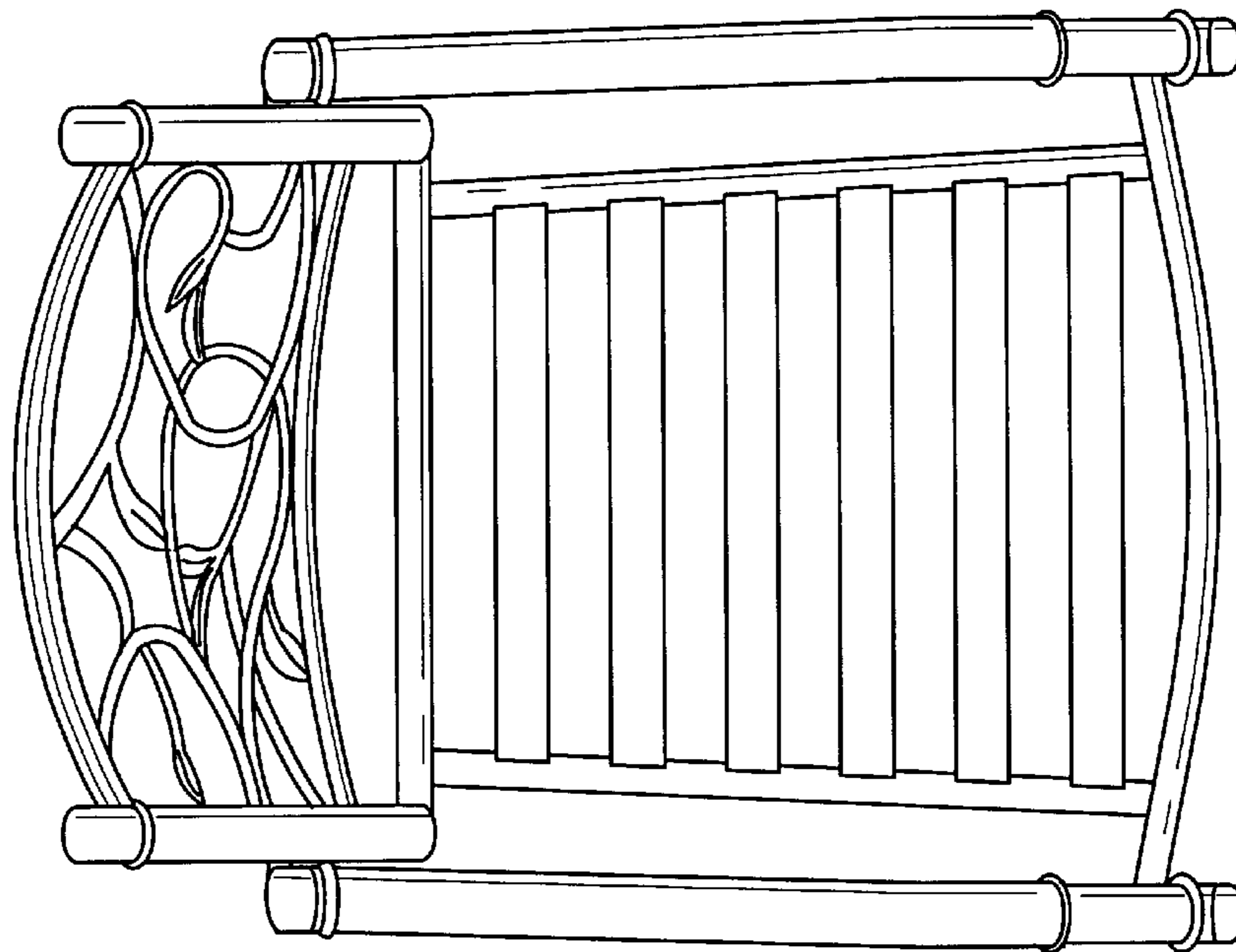


FIG. 6