



US00D528813S

(12) **United States Design Patent** (10) **Patent No.:** **US D528,813 S**
Sienkowski et al. (45) **Date of Patent:** **** Sep. 26, 2006**

(54) **CHAIR**

(76) Inventors: **Bruce Sienkowski**, 463 Pettis Ave.,
Ada, MI (US) 49301; **Timothy V. Peitz**, 16202 Albain Rd., Petersburg, MI
(US) 49270

(**) Term: **14 Years**

(21) Appl. No.: **29/234,780**

(22) Filed: **Jul. 22, 2005**

Related U.S. Application Data

(63) Continuation-in-part of application No. 29/199,042, filed on
Feb. 9, 2004, now abandoned.

(51) **LOC (8) Cl.** **06-01**

(52) **U.S. Cl.** **D6/374; D6/360**

(58) **Field of Classification Search** D6/334,
D6/335, 336, 349, 360, 374, 375, 376, 379,
D6/380, 500–502; 297/445.1, 446.1, 461
See application file for complete search history.

(56) **References Cited**

U.S. PATENT DOCUMENTS

D102,695 S	1/1937	McLellan	D6/375
D106,440 S	10/1937	Jackson		
D141,839 S	7/1945	Risom	D15/1
D230,543 S	3/1974	Juneau	D6/375

(Continued)

OTHER PUBLICATIONS

Web page from web address: <http://www.dwr.com/imageViewer.cfm?id=0134&rows=4&viewerName=View%20in%20Location>, dated Feb. 5, 2005 (Image 1).
Web page from web address: <http://www.dwr.com/imageViewer.cfm?id=0134&rows=4&viewerName=View%20in%20Location>, dated Feb. 5, 2005 (Image 3).
“A Century of Chair Design,” edited by Frank Russell, Rizzoli International Publications (1980), pp. 59 and 85.
Habegger, Jerryll, “Sourcebook of Modern Furniture,” Van Nostrand Reinhold (1989), pp. 97, 115, 128–129, 149.

Stimpson, Miriam F., “Modern Furniture Classics,” Whitney Library of Design, an imprint of Watson–Guptill Publications (1987), pp. 157, 177.

“From Milan With Love,” Interior Design, Jul. 1998, pp. 72–73, La Marie Chair.

Copy of page from brochure depicting, “Lattice Chair,” Charlotte Co. 1988.

Copy of page from brochure of Charlotte Co., 1988.

Copy of page from brochure depicting, “Traverse Chair,” Leland International, 1994.

Byars, Mel, “50 Chairs —Innovations in Design and Materials,” pp. 14, 15, 26, 27, 36, 37, 52, 78, 79, Watson–Guptill Publications, New York, Apr. 1996.

(Continued)

Primary Examiner—Mimosa De

(74) *Attorney, Agent, or Firm*—Gifford, Krass, Groh, Sprinkle, Anderson & Citkowski, PC

(57) **CLAIM**

The ornamental design for a chair, as shown and described.

DESCRIPTION

FIG. 1 is a perspective view of a first embodiment of a chair according to the present invention;

FIG. 2 is a front-elevation view of the chair of FIG. 1;

FIG. 3 is a rear elevational view of the chair of FIGS. 1 and 2;

FIG. 4 is a side-elevation view of the chair of FIGS. 1–3, the other side view being a mirror image thereof;

FIG. 5 is a top plan view of the chair of FIGS. 1–4;

FIG. 6 is a bottom view of the chair of FIGS. 1–5;

FIG. 7 is a perspective view of a second embodiment of a chair according to the present invention;

FIG. 8 is a front-elevation view of the chair of FIG. 7;

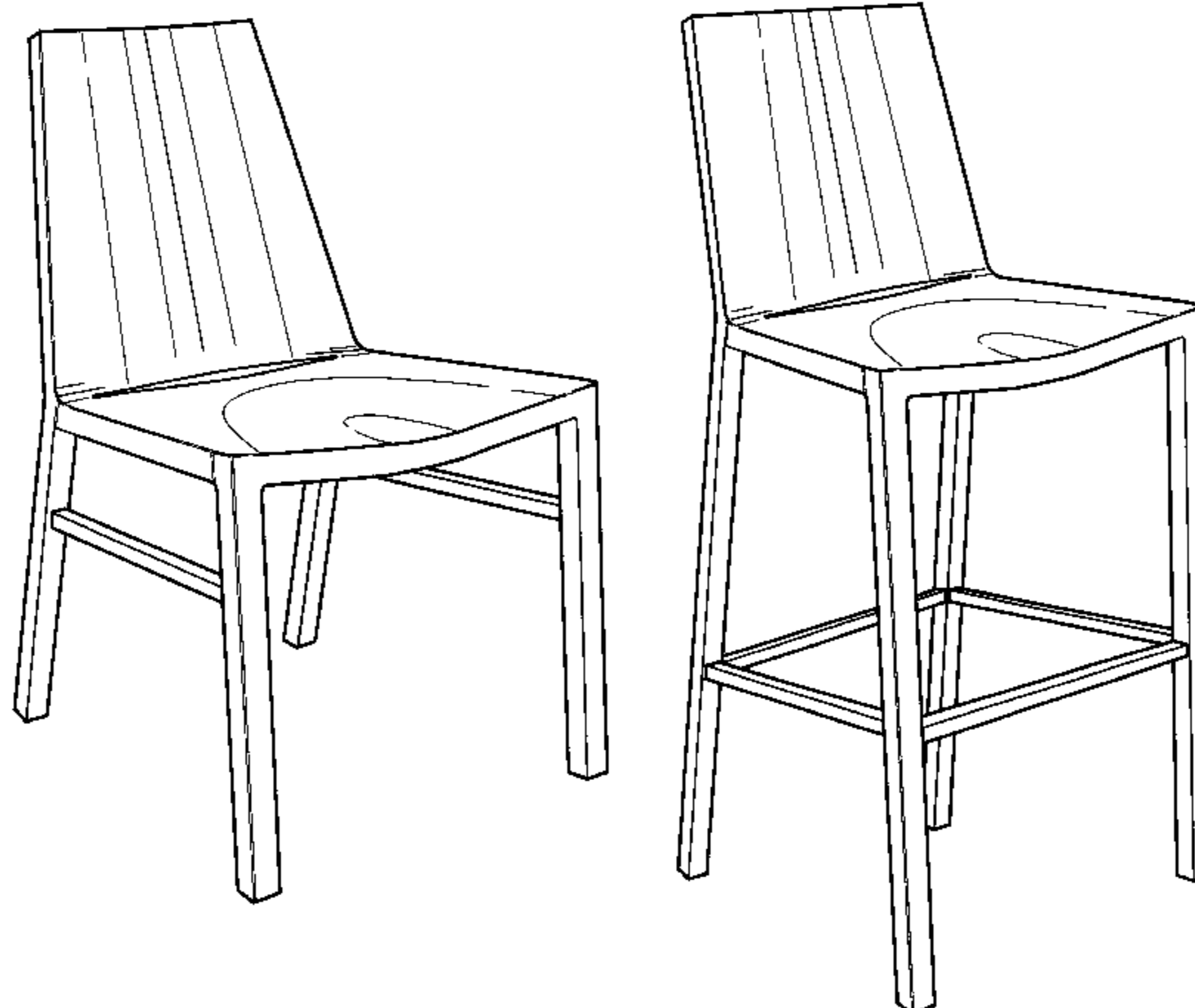
FIG. 9 is a rear elevational view of the chair of FIGS. 7 and 8;

FIG. 10 is a side-elevation view of the chair of FIGS. 7–9, the other side view being a mirror image thereof;

FIG. 11 is a top plan view of the chair of FIGS. 7–10; and,

FIG. 12 is a bottom view of the chair of FIGS. 7–11.

1 Claim, 6 Drawing Sheets



U.S. PATENT DOCUMENTS

D235,829 S	7/1975	Dransart	D6/78
D236,862 S	9/1975	Grosfillex	D6/78
D238,990 S	3/1976	Galvez	D6/78
D256,970 S	9/1980	Cassina	D6/66
D270,792 S	10/1983	Lange	D6/374
D272,018 S	1/1984	Thompson	D6/380
D352,183 S	11/1994	Sheridan	D6/374
D357,592 S	4/1995	Kellen	D6/360
D357,594 S	4/1995	Kellen	D6/374
D368,379 S	4/1996	Muller	D6/360
D379,563 S	6/1997	Bally	D6/374
D390,026 S	2/1998	Biecher	D6/375
D409,848 S	5/1999	Staubach et al.	D6/334
D418,687 S	1/2000	Tihany	D6/369
D421,851 S	3/2000	Tihany	D6/369
D427,795 S	7/2000	Tihany	D6/369
D431,380 S	10/2000	Hutton	D6/360
D458,467 S	6/2002	Starck	D6/374
D460,282 S	7/2002	Starck	D6/374
D468,918 S	1/2003	de Blois	D6/360
D475,212 S	6/2003	Savini	D6/374
D475,543 S	6/2003	Savini	D6/374
D478,223 S	8/2003	Luthersson	D6/376
D498,937 S	* 11/2004	Messier et al.	D6/375
D512,237 S	* 12/2005	Messier	D6/375

OTHER PUBLICATIONS

Ludwig Mies Van Der Rohe, "Mies van der Rohe: Stuttgart, Barcelona and Brno: Furniture and architecture," Vitra Design Museum, Feb. 1999.

Pixis, Christian, Abendroth, Uta, "World Design: The Best in Classic and Contemporary Furniture, Fashion, Graphics, and More," pp. 117, Chronicle Books LLC, Oct. 1, 1999.

Web page: <http://www.gardenium.com/html/product76.htm>, "De Milo Chair." (believed to have been offered for sale, publicly used, and/or published prior to the filing date of this application).

Brochure from Adriano Seating, Los Angeles, CA (www.adrianoseating.com) (believed to have been offered for sale, publicly used, and/or published prior to the filing date of this application).

"Less" chair by Novecentoundici, printout of website: <http://products.chairs.ws/4732> (believed to have been offered for sale, publicly used, and/or published prior to the filing date of this application).

"Cab" chair manufactured by Cassina: www.mossonline.com/product-exec/product-id/30499/print-view/1 (believed to have been offered for sale, publicly used, and/or published prior to the filing date of this application).

Chair in wood (627), as depicted in printout of web page: <http://products.chairs.ws/4273>, nuovopianeta.com (believed to have been offered for sale, publicly used, and/or published prior to the filing date of this application).

"Break Chair," as depicted in printout of web page: <http://products.chairs.ws/4273>, (nuovopianeta.com) (believed to have been offered for sale, publicly used, and/or published prior to the filing date of this application).

"Telos S5 chair," as depicted in printout of web page: <http://restaurant-furniture.biz/restaurantfurniture/defa9.html> (believed to have been offered for sale, publicly used, and/or published prior to the filing date of this application).

"Slot S2P Chair," as depicted in printout of web page: <http://products.chairs.ws/4510> (believed to have been offered for sale, publicly used, and/or published prior to the filing date of this application).

"Slot S1 chair," as depicted in printout of web page: <http://products.chairs.ws/4509> (believed to have been offered for sale, publicly used, and/or published prior to the filing date of this application).

"Telos S2 chair," as depicted in printout of web page: <http://restaurant-furniture.biz/restaurant-furniture/dd75a.html> (believed to have been offered for sale, publicly used, and/or published prior to the filing date of this application).

"Garda," as depicted in printout of web page: <http://products.chairs.ws/4007> (believed to have been offered for sale, publicly used, and/or published prior to the filing date of this application).

"Negara C135," as depicted in printout of web page: <http://products.chairs.ws/4935> (believed to have been offered for sale, publicly used, and/or published prior to the filing date of this application).

"Movie," as depicted in printout of web page: <http://products.chairs.ws/4753> (believed to have been offered for sale, publicly used, and/or published prior to the filing date of this application).

"627," as depicted in printout of web page: <http://products.chairs.ws/2292> (believed to have been offered for sale, publicly used, and/or published prior to the filing date of this application).

"Daytona 1 1236," as depicted in printout of web page: <http://products.chairs.ws/1712> (believed to have been offered for sale, publicly used, and/or published prior to the filing date of this application).

"Evia," as depicted in printout of web page: <http://products.chairs.ws/2046> (believed to have been offered for sale, publicly used, and/or published prior to the filing date of this application).

* cited by examiner

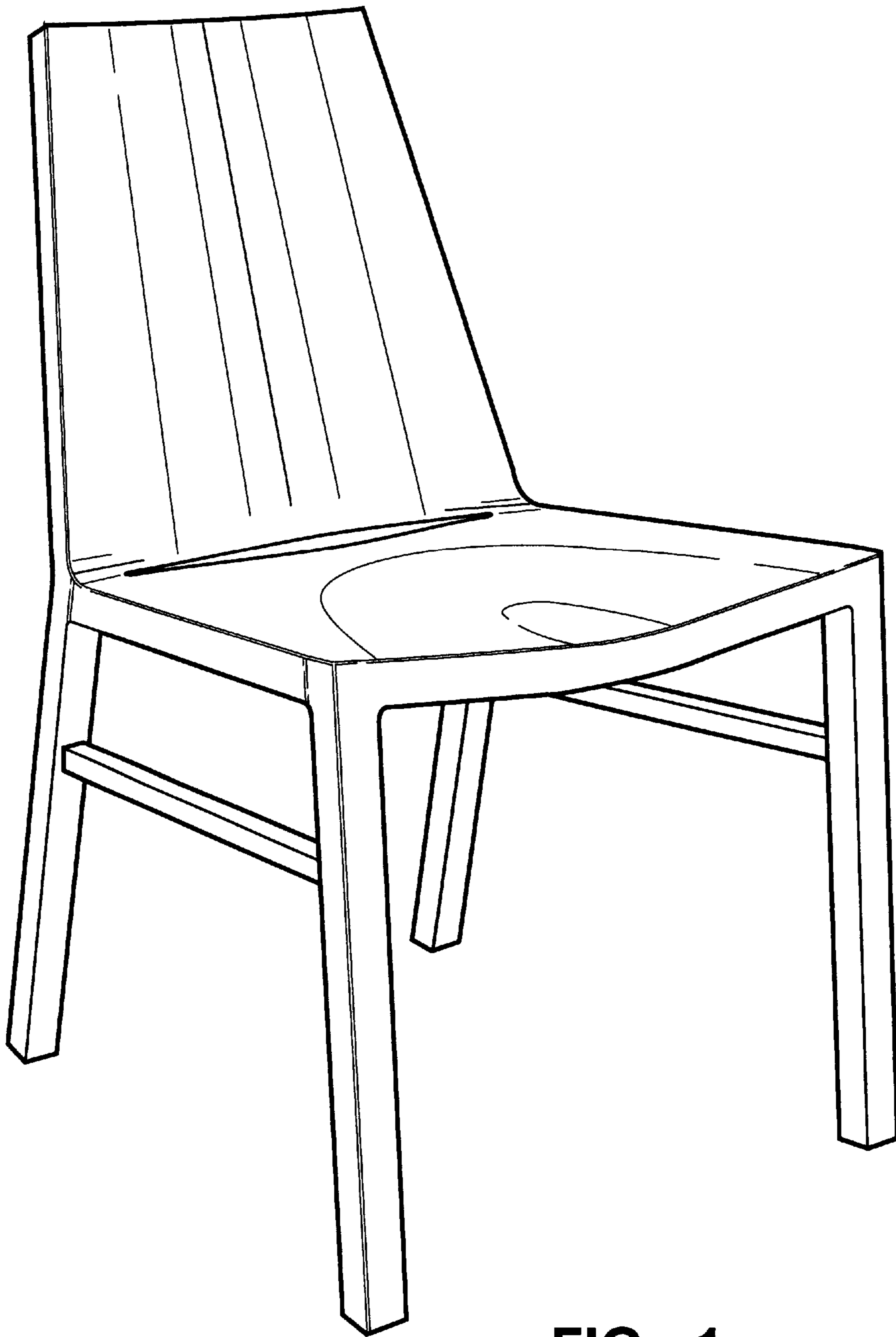


FIG - 1

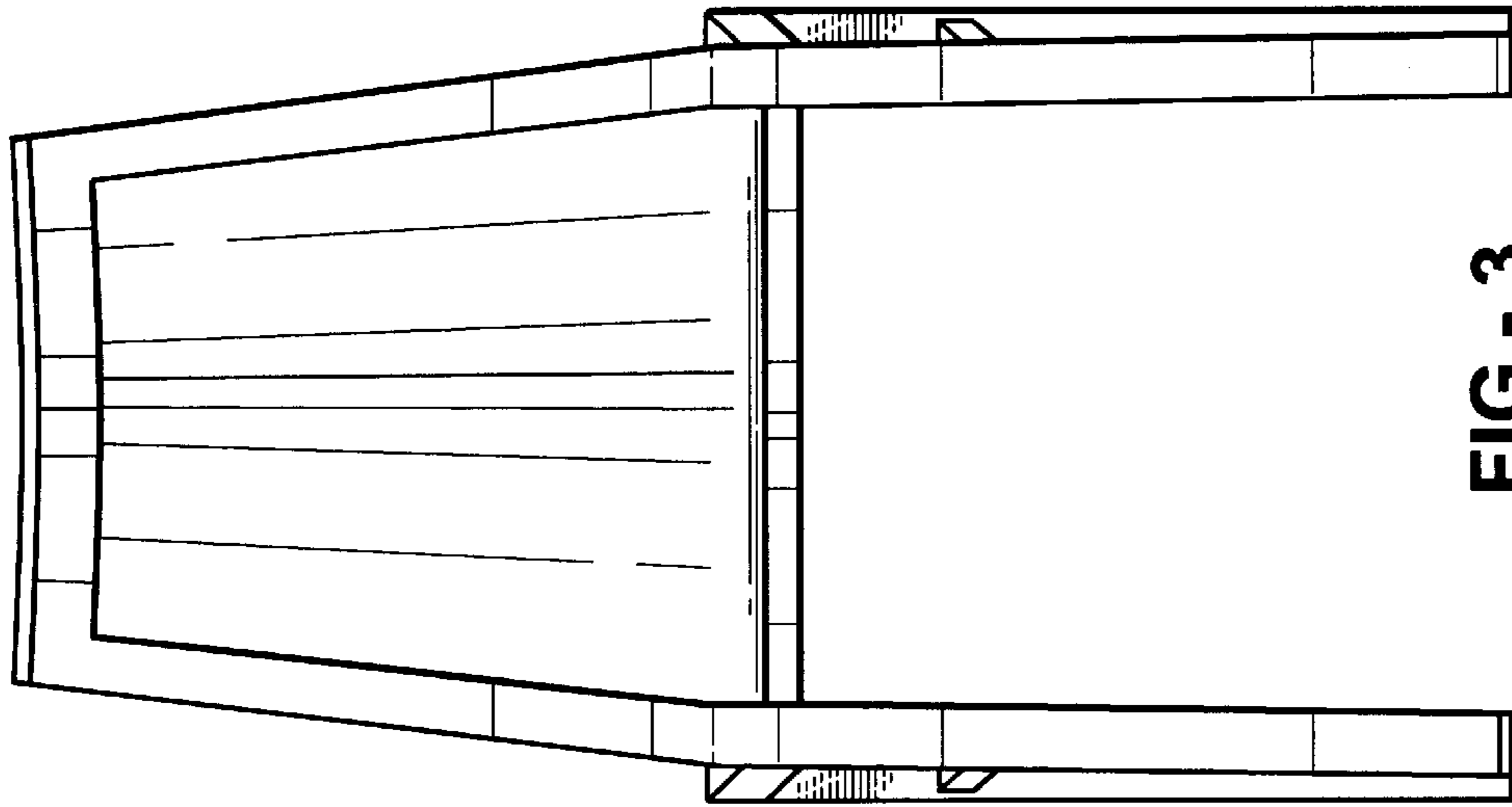


FIG - 3

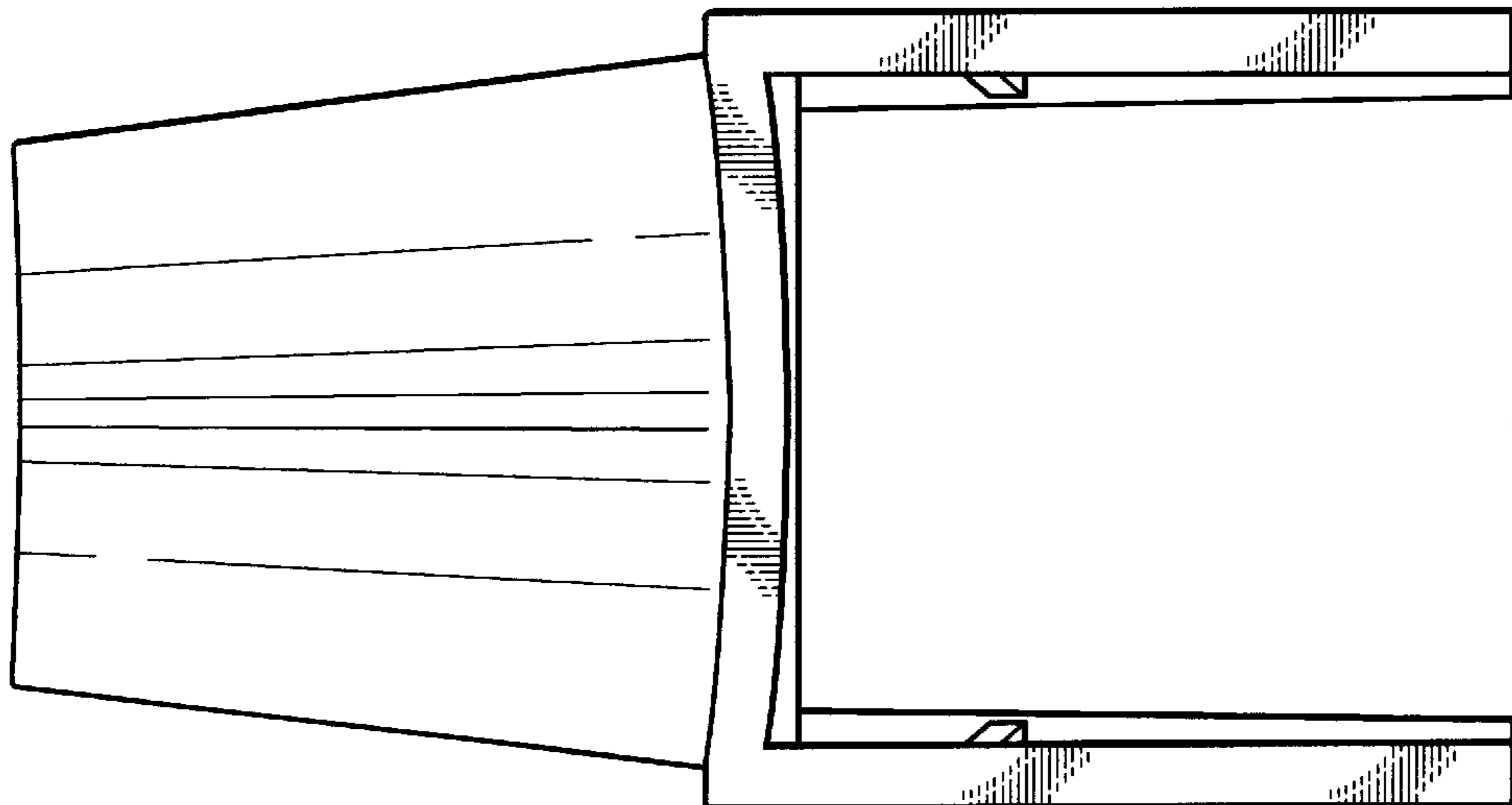


FIG - 2

FIG - 5

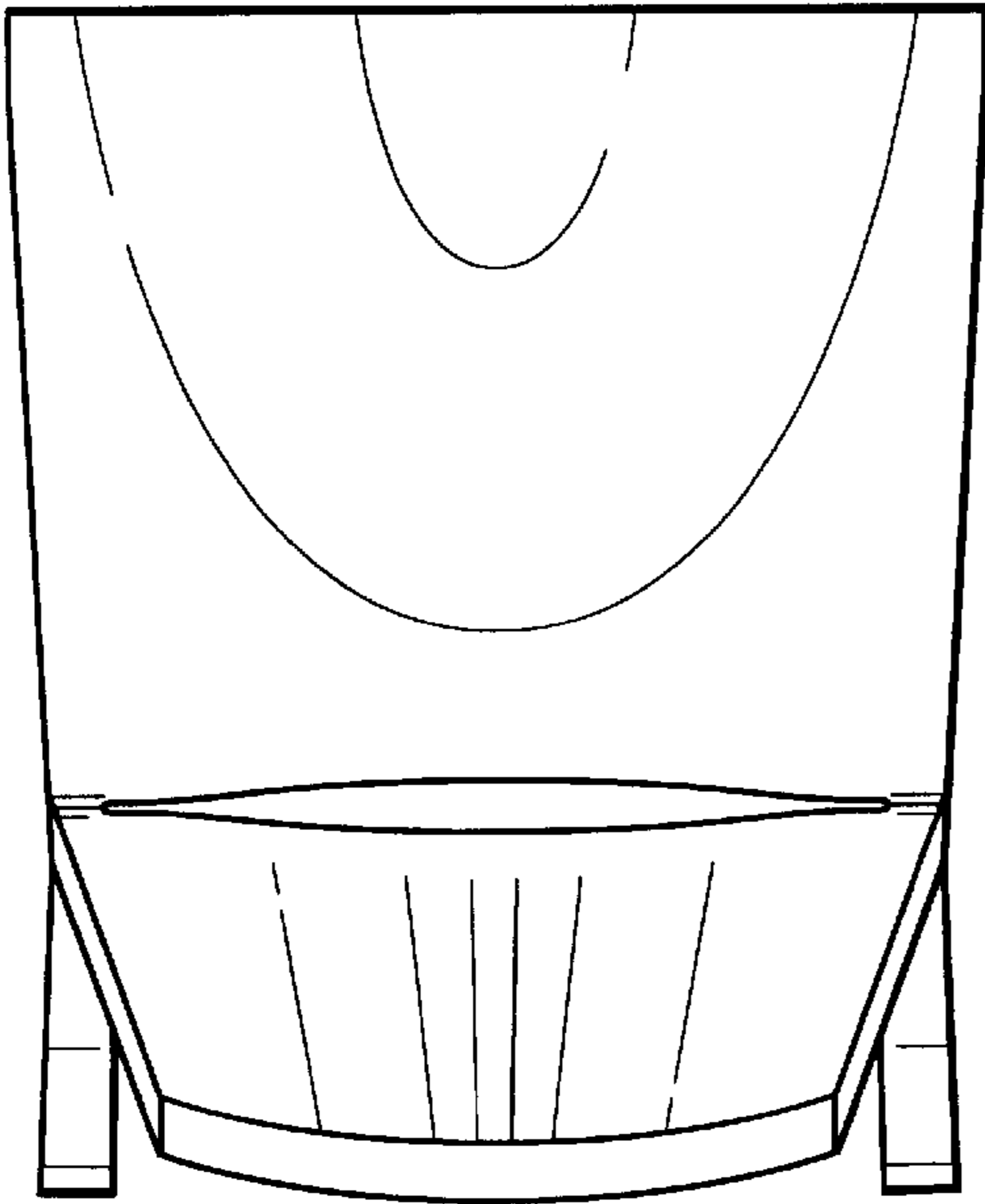


FIG - 6

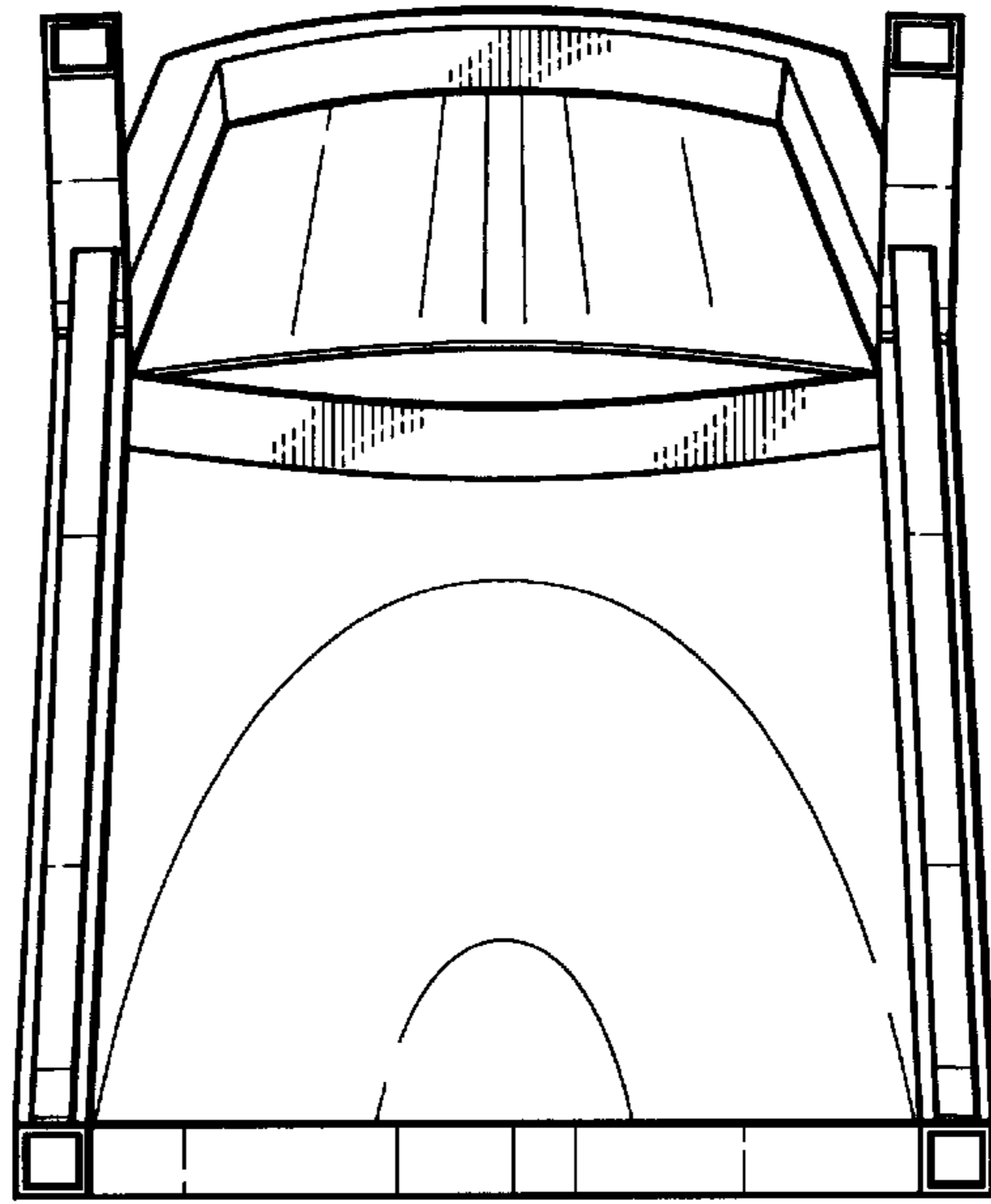
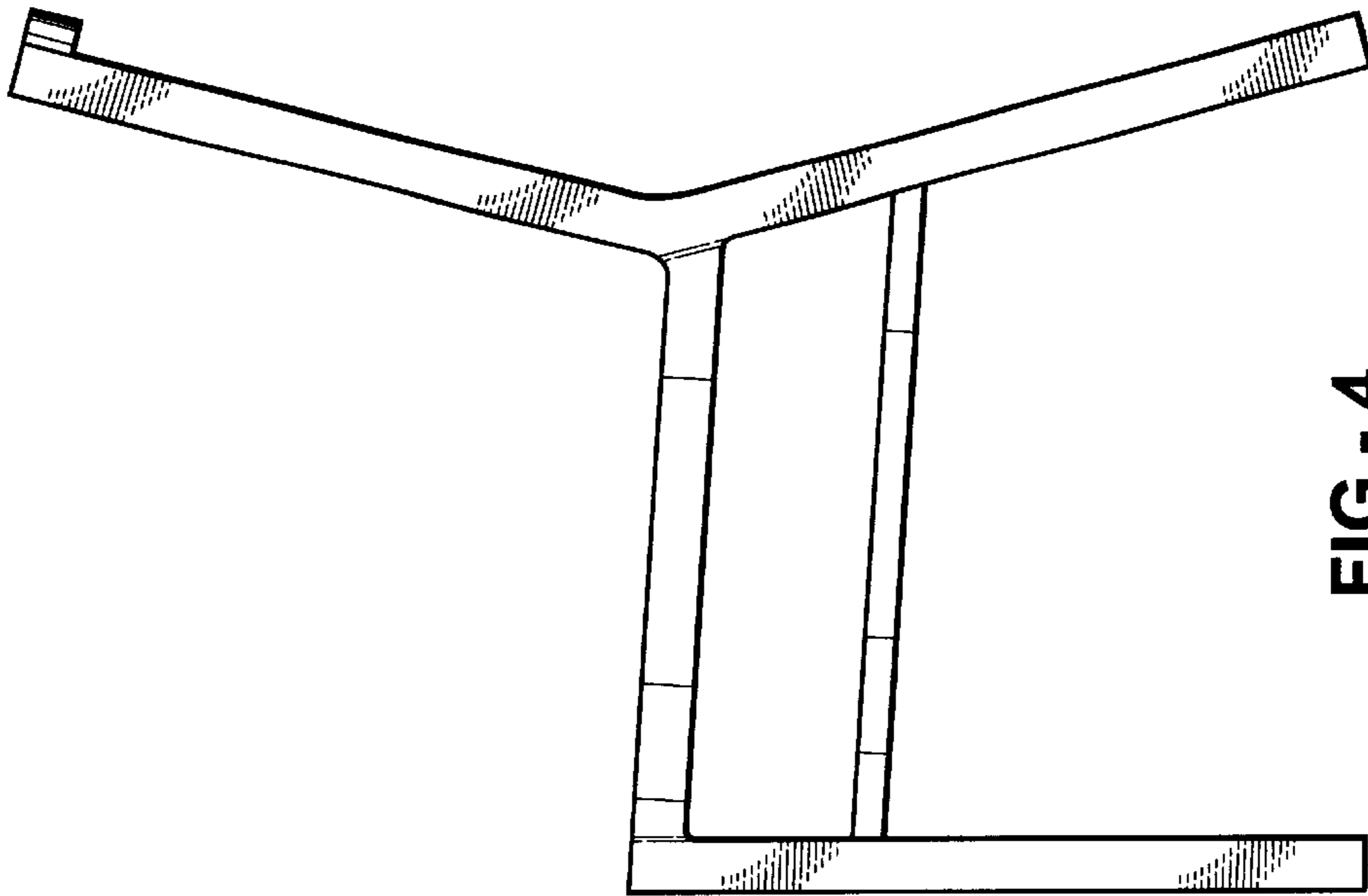


FIG - 4



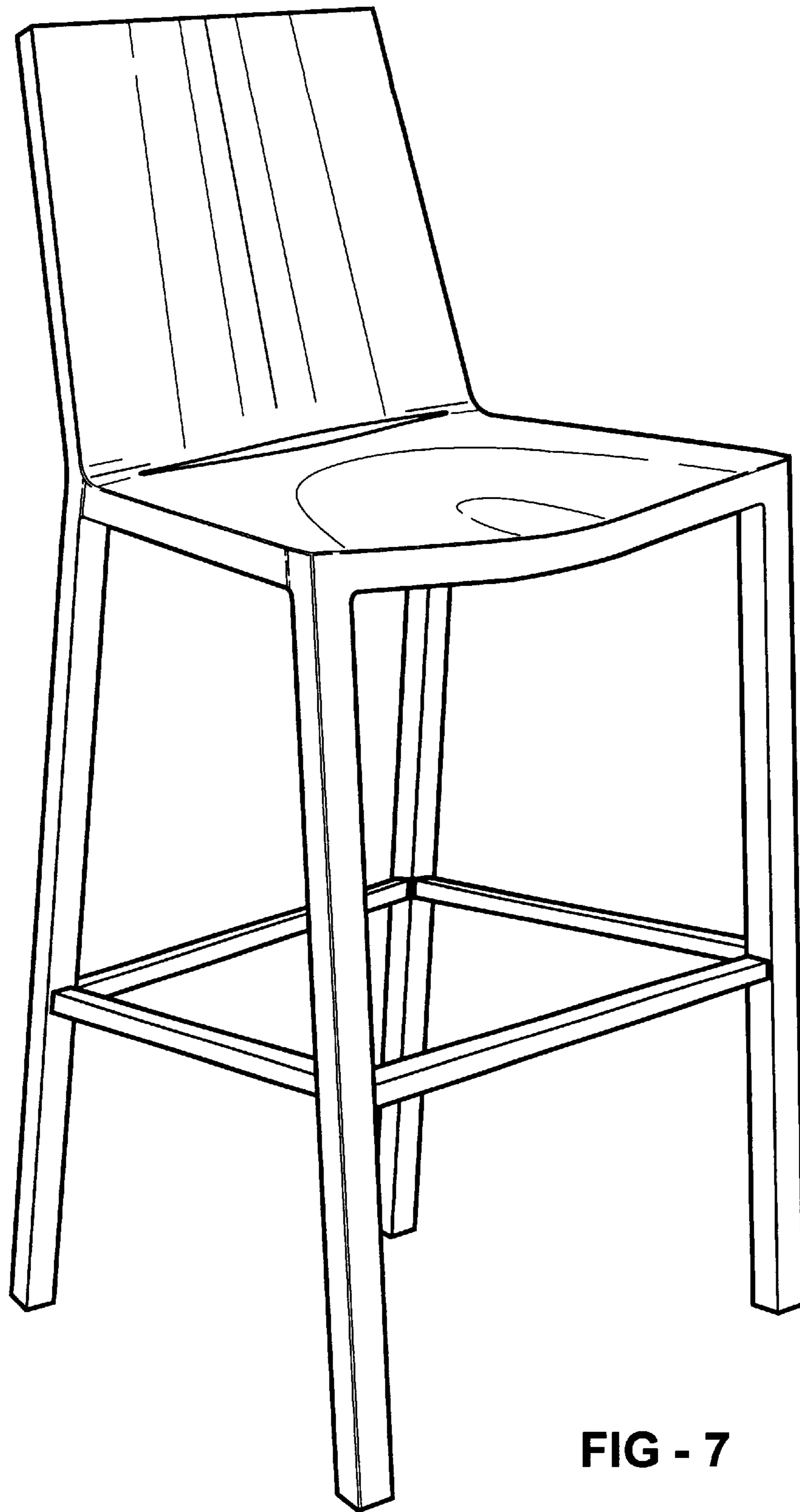


FIG - 7

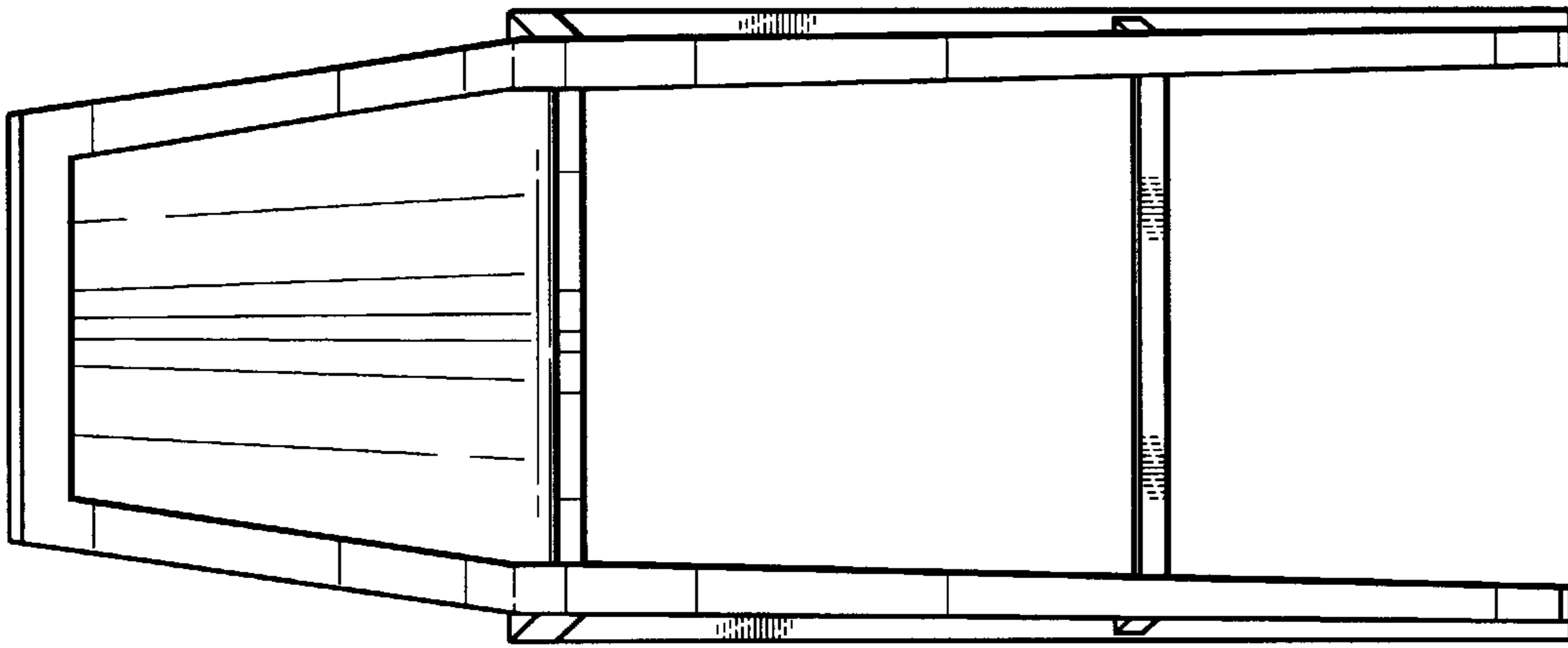


FIG - 9

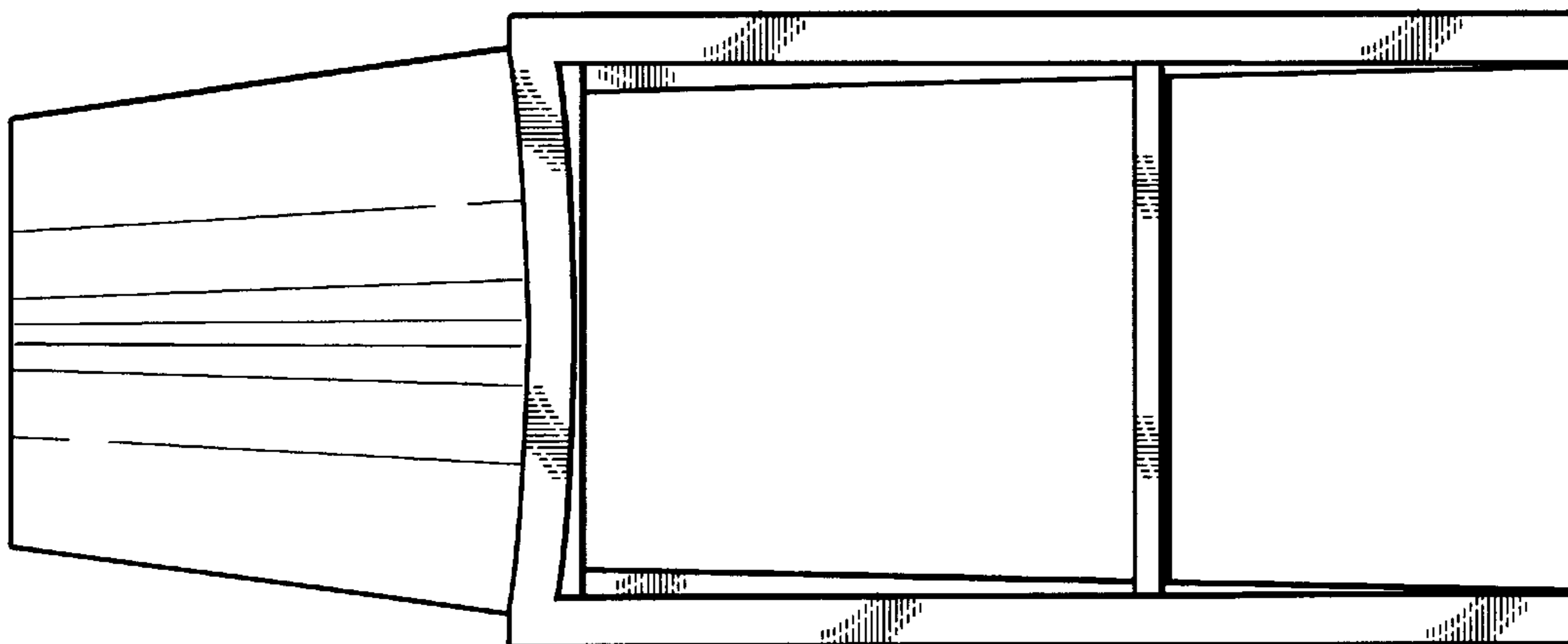


FIG - 8

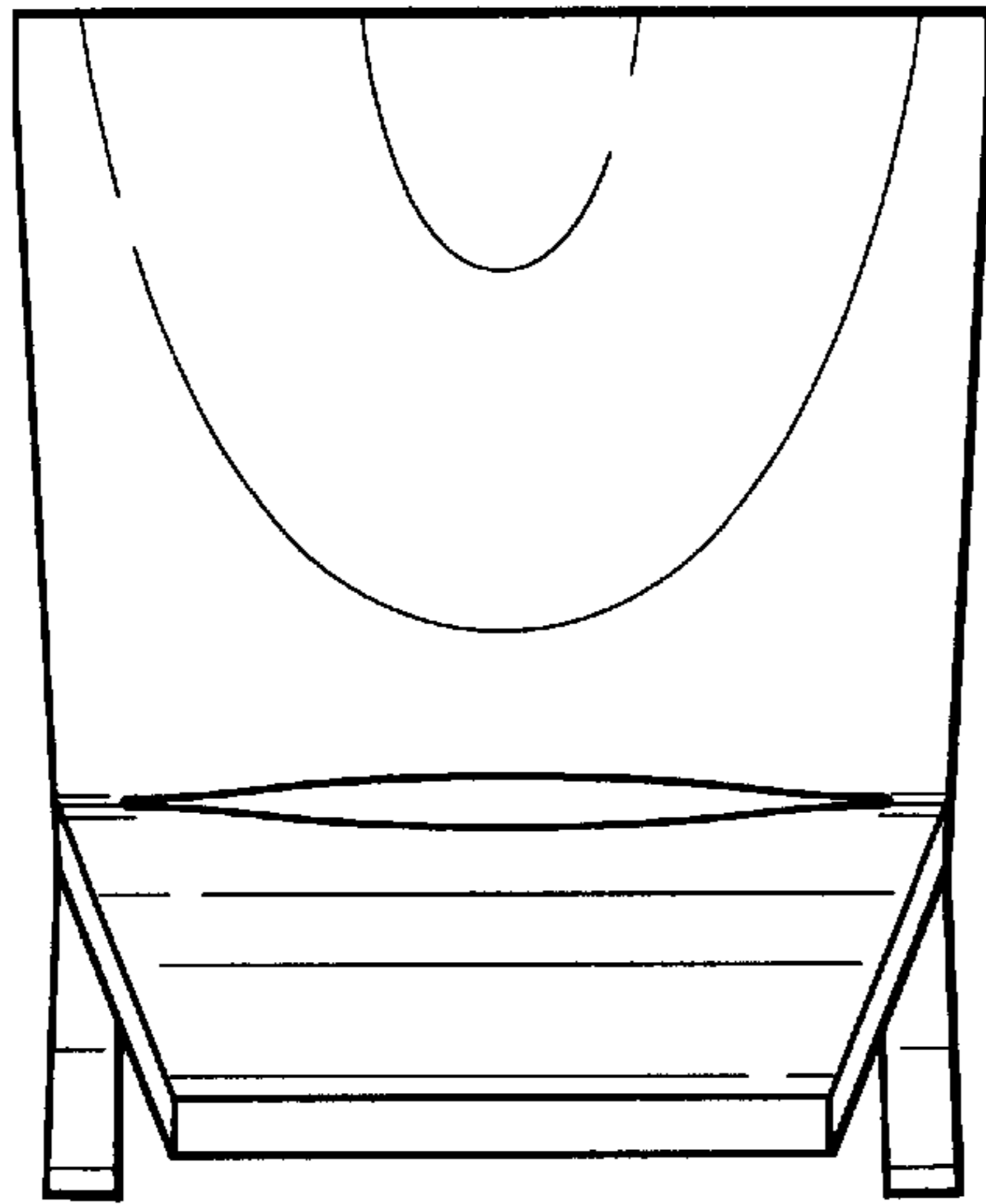


FIG - 11

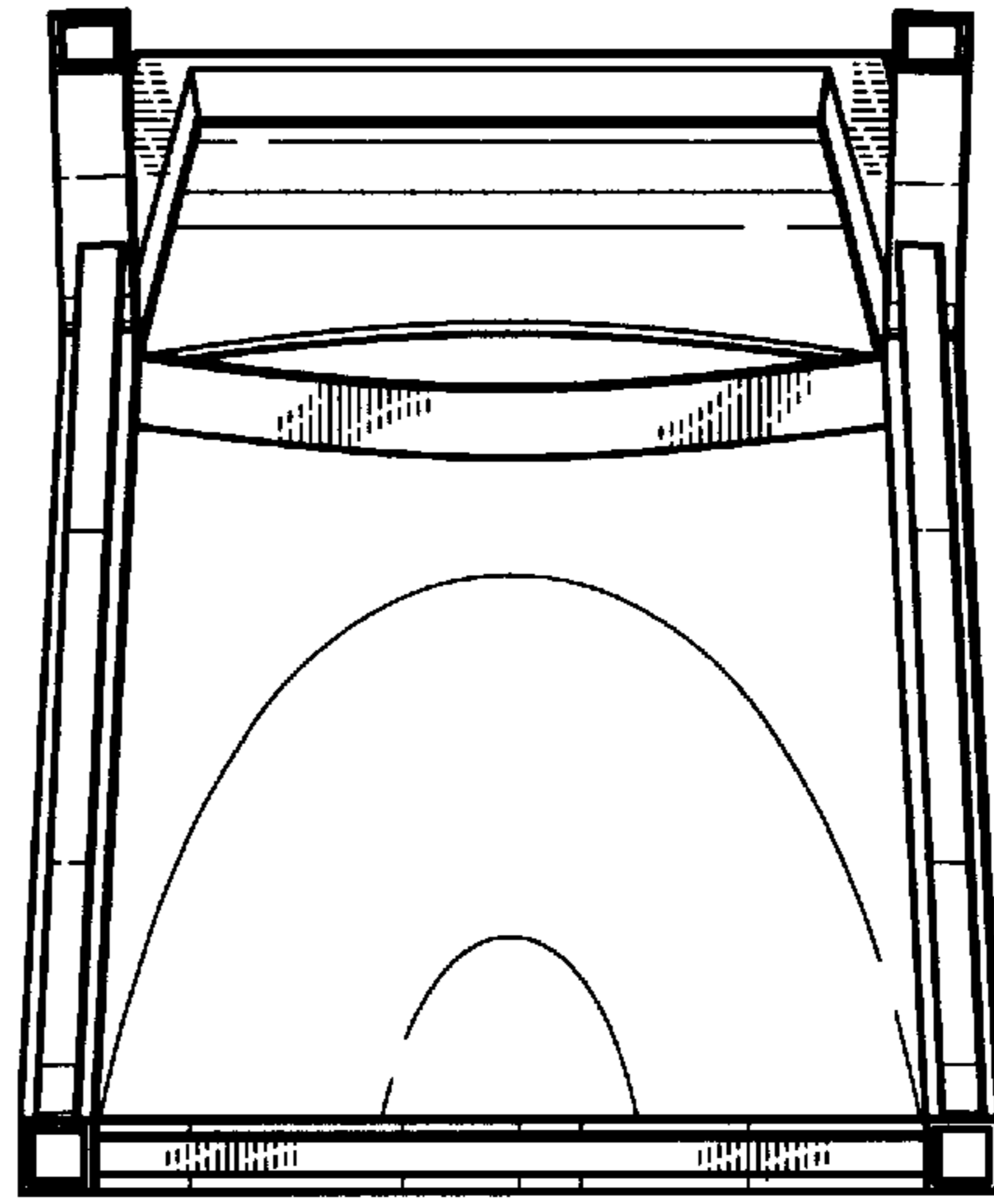


FIG - 12

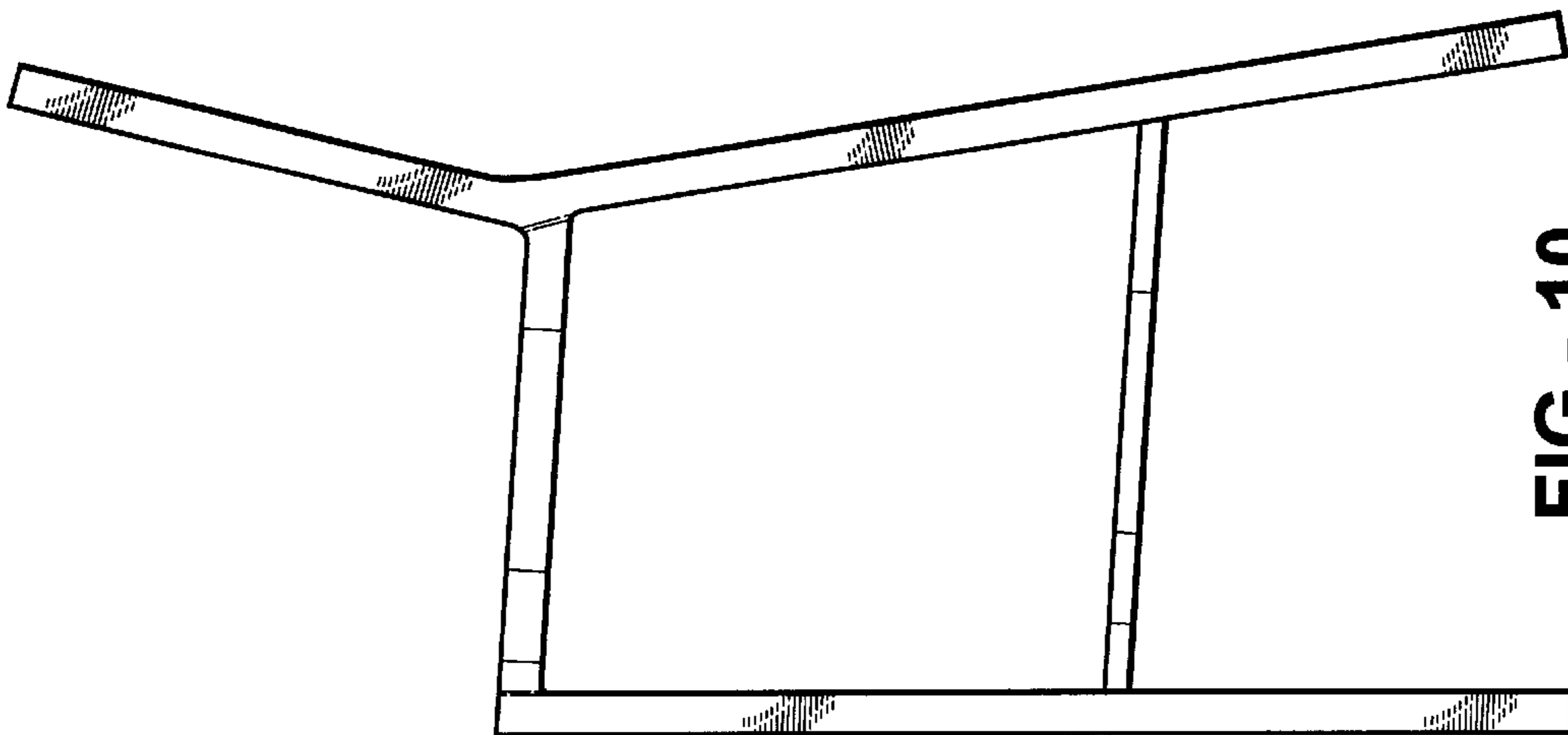


FIG - 10