

US00D528810S

(12) **United States Design Patent**
Giugiaro

(10) **Patent No.:** **US D528,810 S**

(45) **Date of Patent:** **** Sep. 26, 2006**

(54) **CHAIR**

(75) Inventor: **Giorgetto Giugiaro, Moncalieri (IT)**

(73) Assignee: **Okamura Corporation (JP)**

(**) Term: **14 Years**

(21) Appl. No.: **29/226,130**

(22) Filed: **Mar. 24, 2005**

(30) **Foreign Application Priority Data**

Sep. 27, 2004 (JP) 2004-029109

(51) **LOC (8) Cl.** **06-01**

(52) **U.S. Cl.** **D6/366**

(58) **Field of Classification Search** D6/334-336,
D6/364, 365, 366, 367, 369, 379, 380, 500-502;
297/411.2, 411.27, 411.36

See application file for complete search history.

(56) **References Cited**

U.S. PATENT DOCUMENTS

D436,456 S * 1/2001 Neil D6/366
D449,174 S * 10/2001 Neil D6/366
D451,294 S * 12/2001 Simons et al. D6/366

D462,188 S * 9/2002 Su D6/366
D476,493 S * 7/2003 Nagamitsu D6/366
D481,879 S * 11/2003 Su D6/366
D486,656 S * 2/2004 Su D6/366
D487,359 S * 3/2004 Giugiaro D6/366
D488,313 S * 4/2004 Seiler D6/366
D489,191 S * 5/2004 Ma D6/366
D490,994 S * 6/2004 Schmitz et al. D6/366
D493,627 S * 8/2004 Ma D6/366
D507,124 S * 7/2005 Yang D6/366

* cited by examiner

Primary Examiner—Mimosa De

(57) **CLAIM**

I claim the ornamental design for a chair, as shown.

DESCRIPTION

FIG. 1 is a front elevational view of a chair showing my new design;
FIG. 2 is a right side view thereof;
FIG. 3 is a top plan view thereof;
FIG. 4 is a rear elevational view thereof;
FIG. 5 is a left side view thereof; and,
FIG. 6 is a bottom plan view thereof.

1 Claim, 3 Drawing Sheets

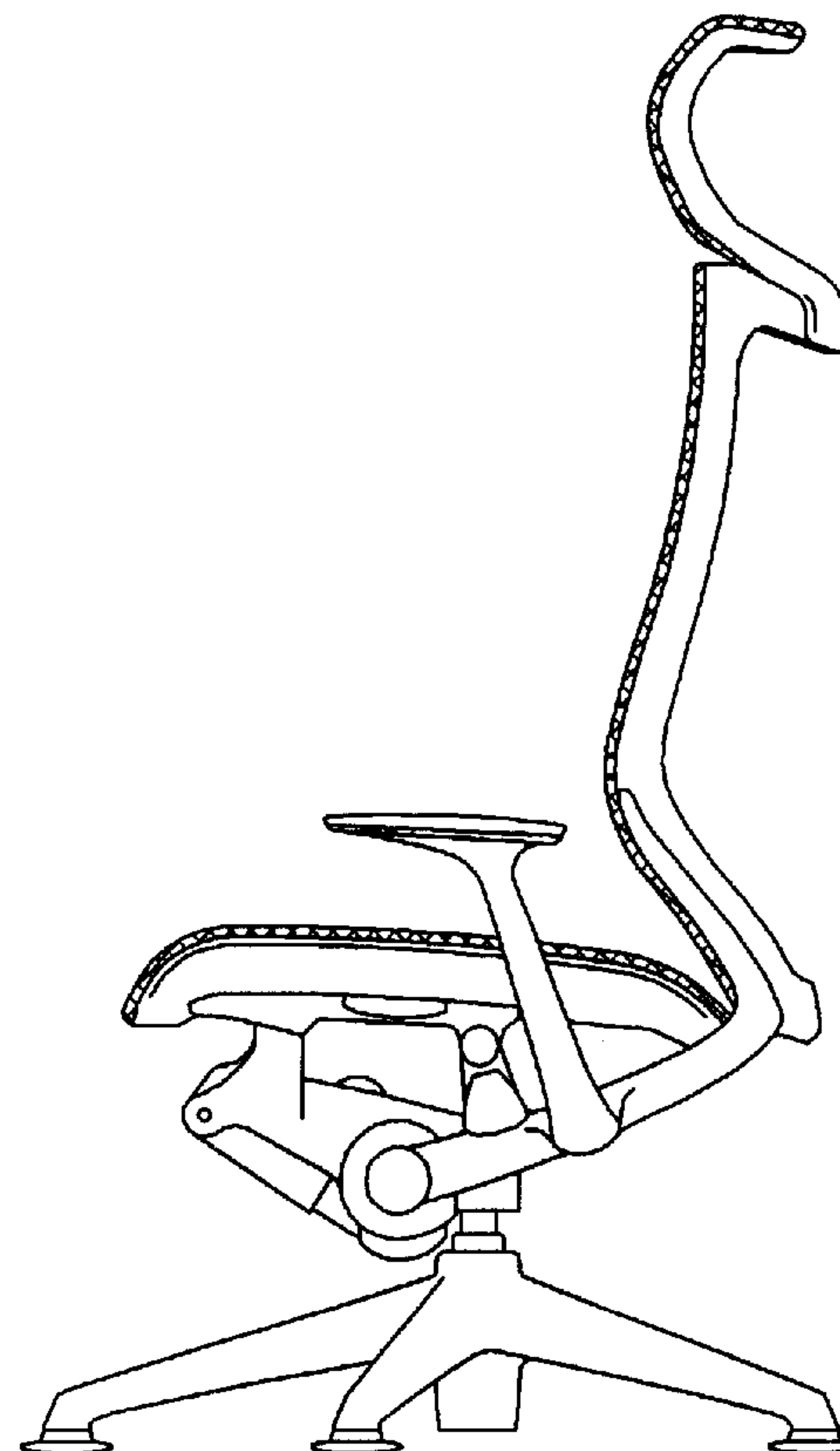
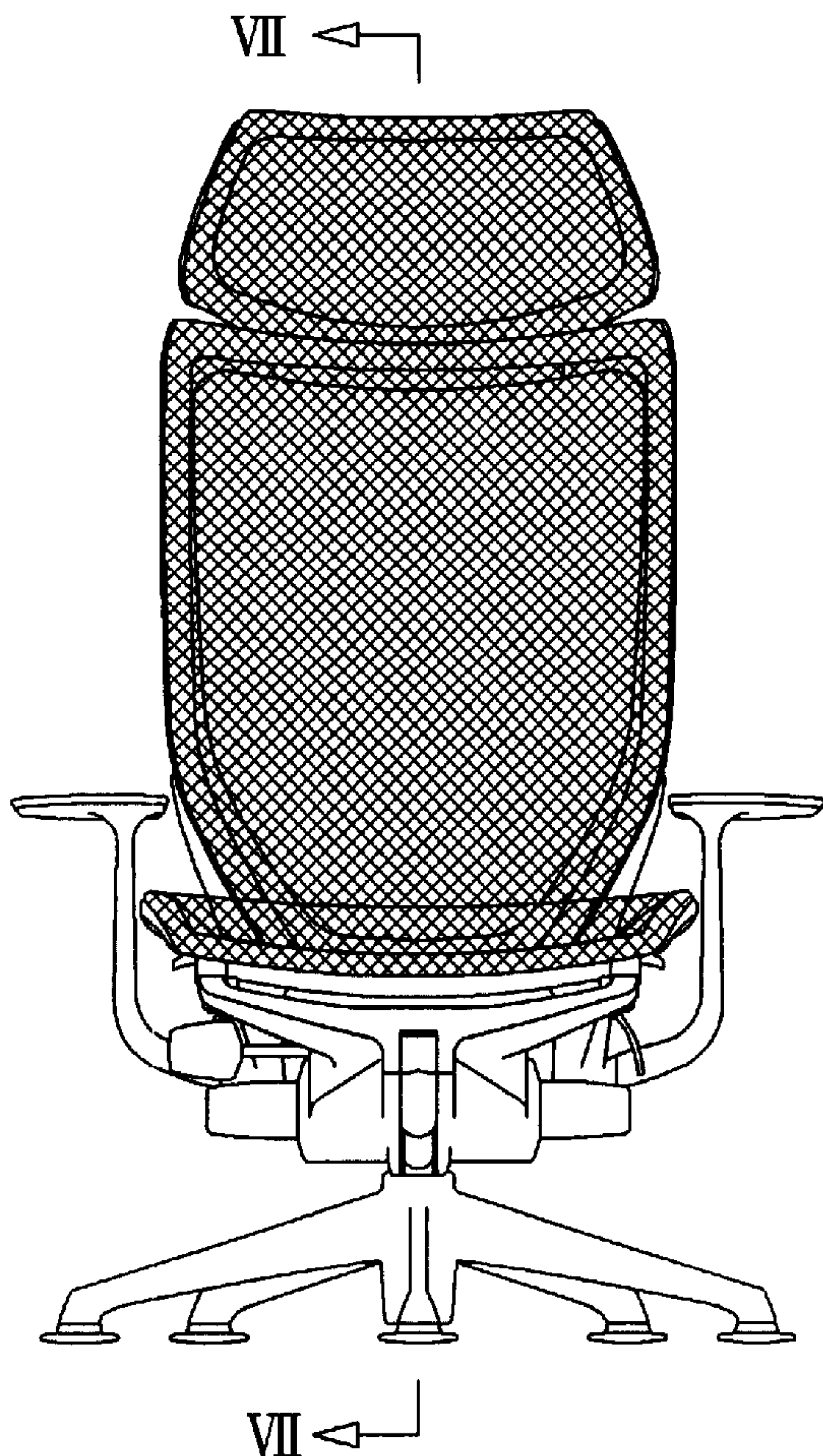


Fig.1

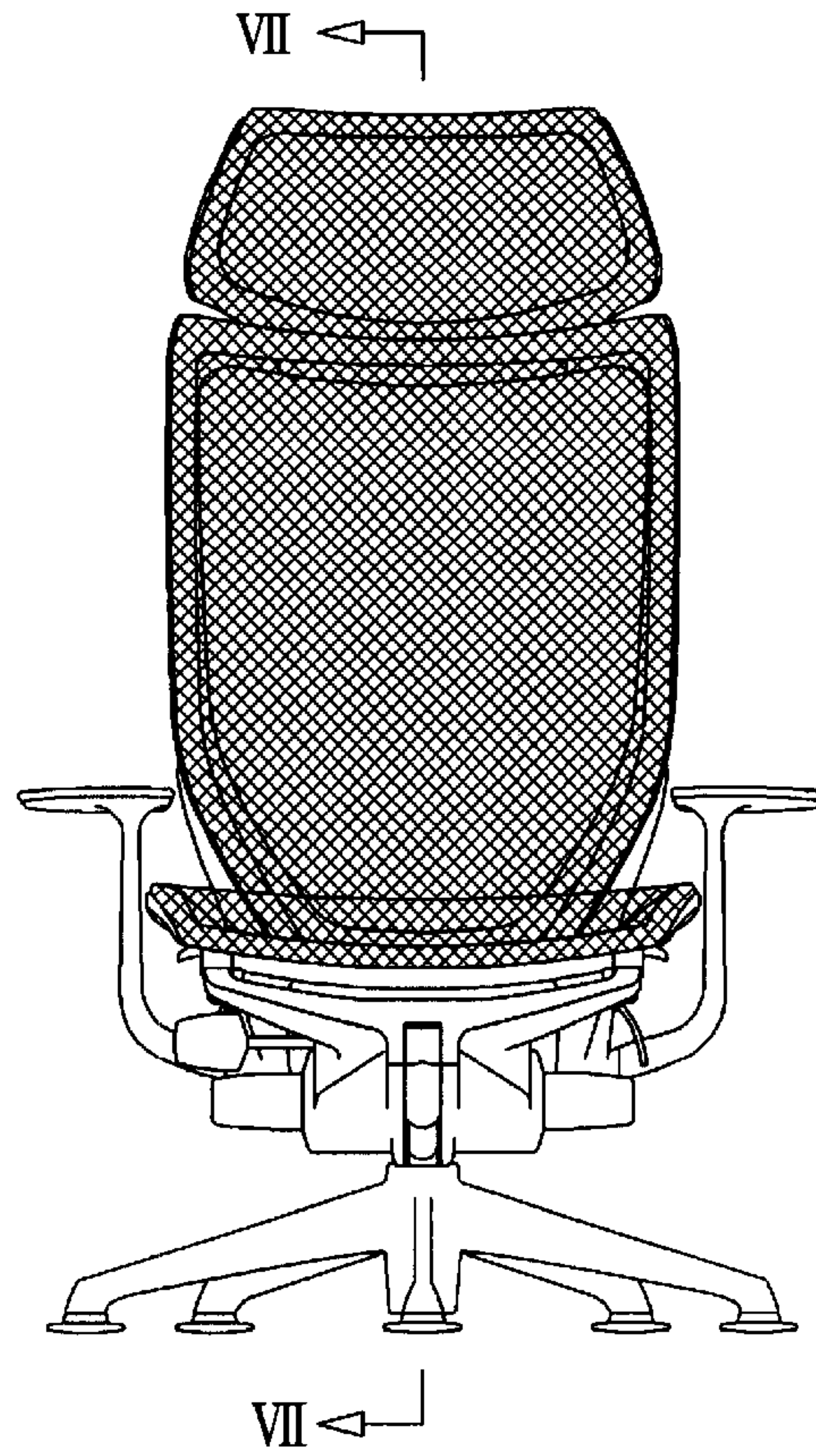


Fig.2

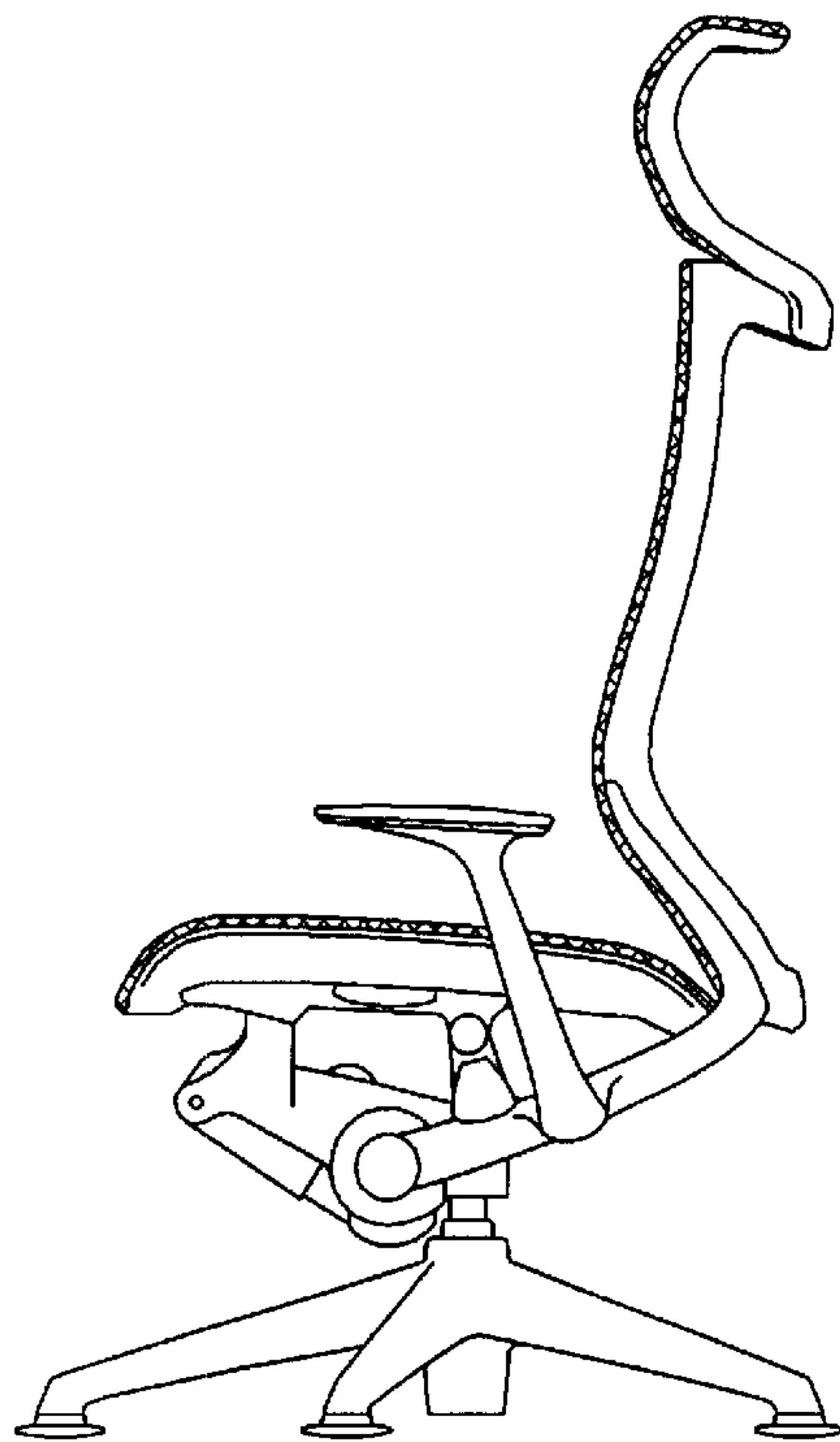


Fig.3

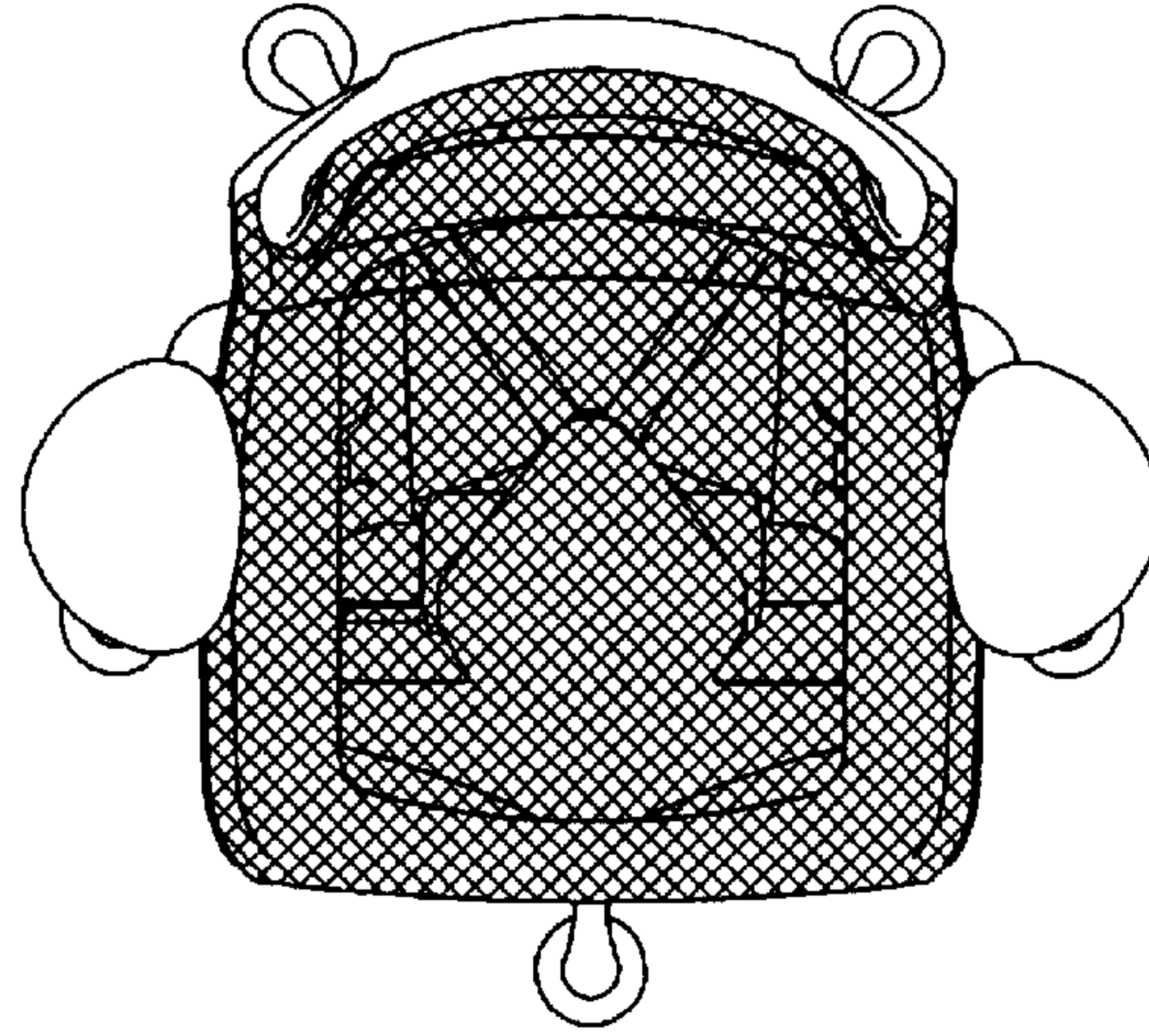


Fig.4

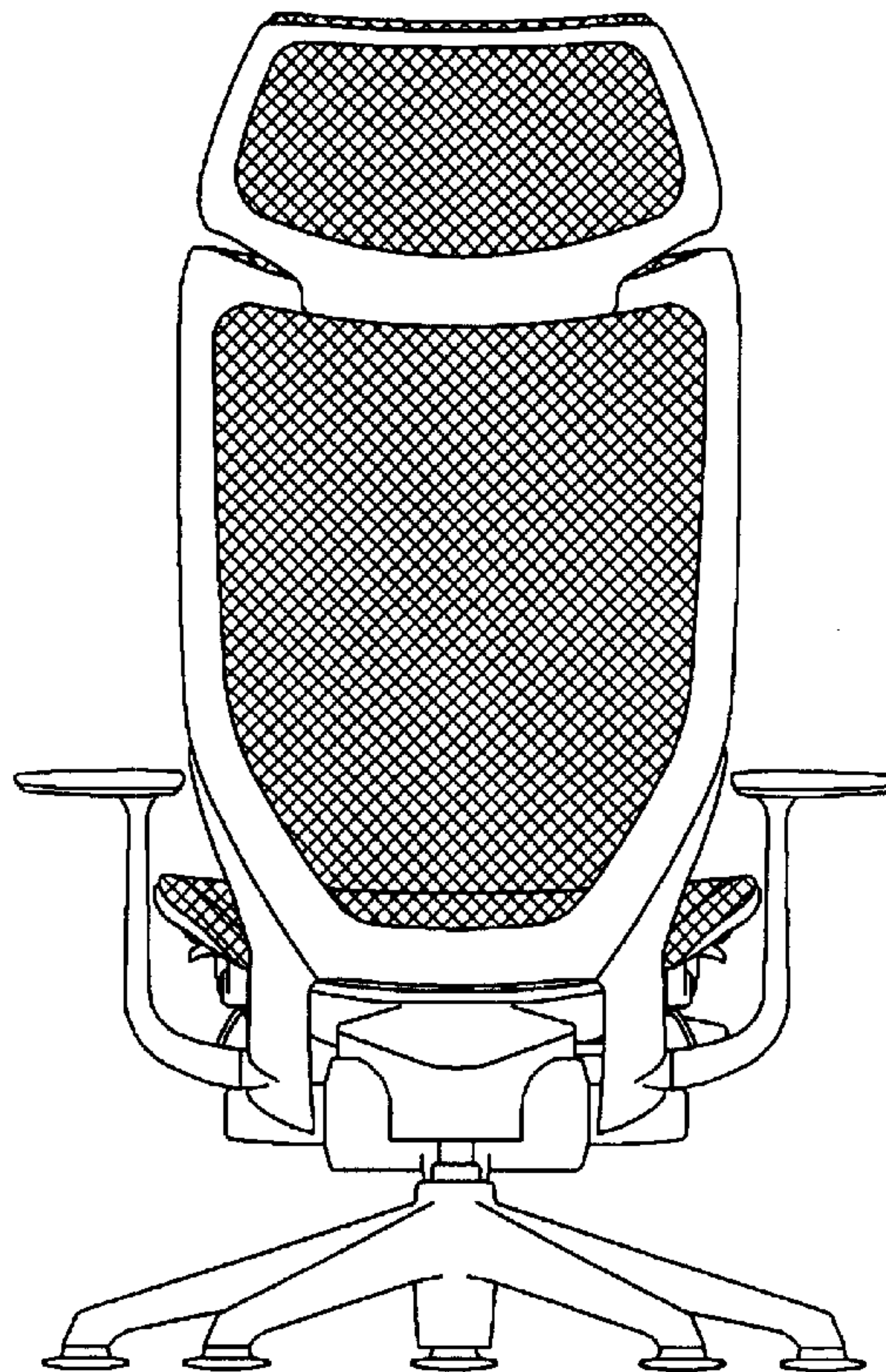


Fig.5

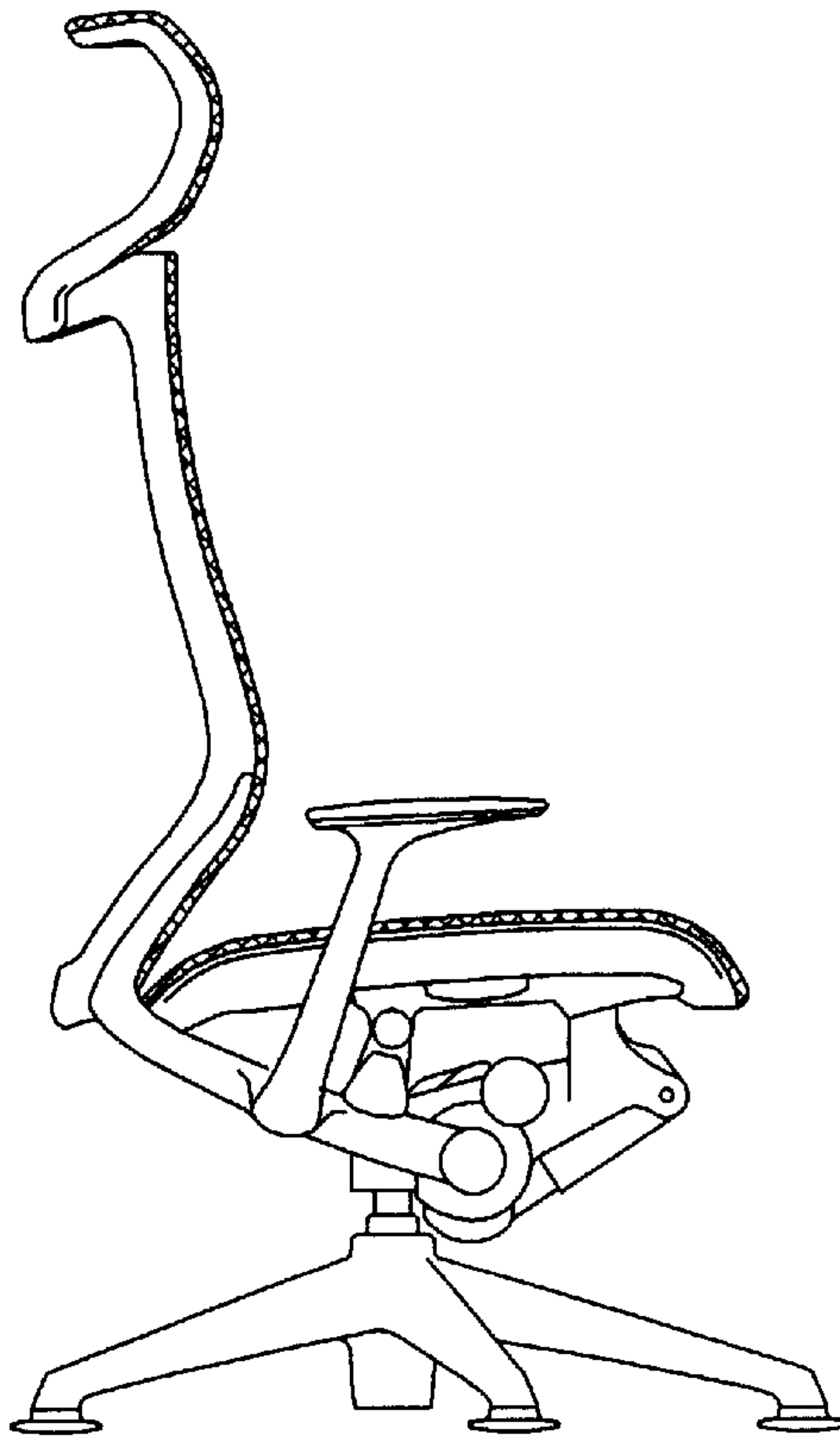


Fig.6

