



US00D528801S

(12) **United States Design Patent**
McKnight

(10) **Patent No.:** **US D528,801 S**

(45) **Date of Patent:** **** Sep. 26, 2006**

(54) **HANDLE FOR BEACH APPARATUS CARRIER**

2004/0245300 A1 * 12/2004 Geller 224/257

* cited by examiner

(75) Inventor: **Kevin J. McKnight**, Springfield, PA (US)

Primary Examiner—Louis S. Zarfes

Assistant Examiner—Monica A. Weingart

(73) Assignee: **RJM Trading Co., LLC**, Philadelphia, PA (US)

(74) *Attorney, Agent, or Firm*—Duane Morris LLP

(**) Term: **14 Years**

(57) **CLAIM**

The ornamental design for a handle for beach apparatus carrier, as shown and described.

(21) Appl. No.: **29/220,488**

DESCRIPTION

(22) Filed: **Dec. 30, 2004**

(51) **LOC (8) Cl.** **03-99**

FIG. 1 is a perspective view of the handle for beach apparatus carrier showing my new design;

(52) **U.S. Cl.** **D3/328**

FIG. 2 is a front elevation view of the handle for beach apparatus carrier of FIG. 1, the rear view appearing the same;

(58) **Field of Classification Search** D3/318, D3/328; D6/368; D34/28; 206/315.11, 315.2, 206/443; 211/60.1, 62, 70.2, 70.8; 224/257, 224/915, 922; 280/47.25, 47.26, 47.3; 294/146, 294/159

FIG. 3 is a side elevation view of the handle for beach apparatus carrier of FIG. 1, the opposite side being the same;

See application file for complete search history.

FIG. 4 is a top plan view of the handle for beach apparatus carrier of FIG. 1; and,

FIG. 5 is a bottom plan view of the handle for beach apparatus carrier of FIG. 1.

(56) **References Cited**

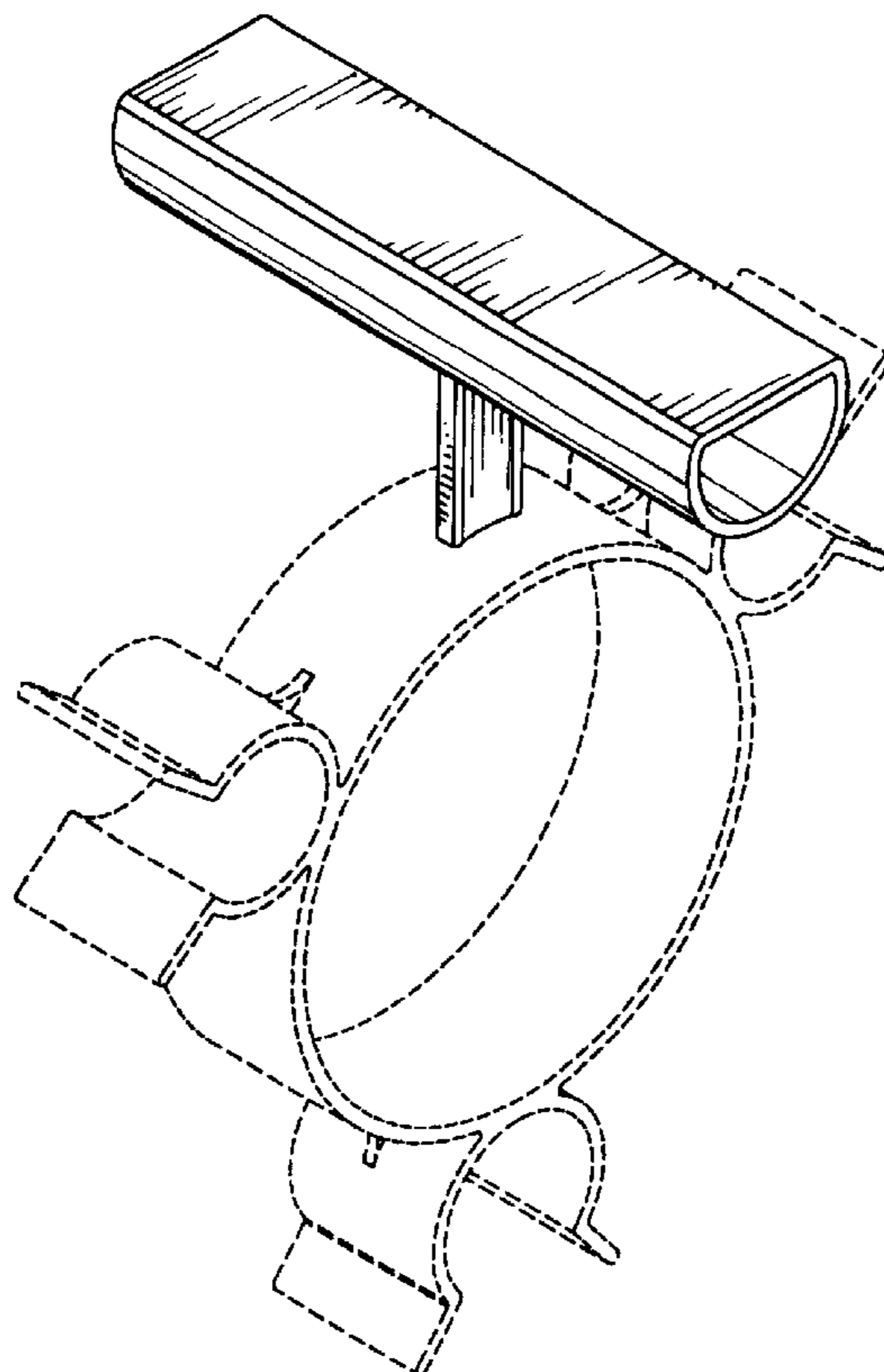
The broken lines of FIGS. 1-5 and the area within are environmental only and form no part of the claimed design.

U.S. PATENT DOCUMENTS

316,062	A	*	4/1885	Riessner	211/60.1
5,630,602	A	*	5/1997	Vanderslice et al.	280/47.26
5,755,477	A		5/1998	McKnight		
D421,221	S	*	2/2000	O’Kane	D9/434
6,626,453	B1	*	9/2003	Theus et al.	280/47.26

The broken line showing of in the views is for illustrative purposes only and forms no part of the claimed design.

1 Claim, 4 Drawing Sheets



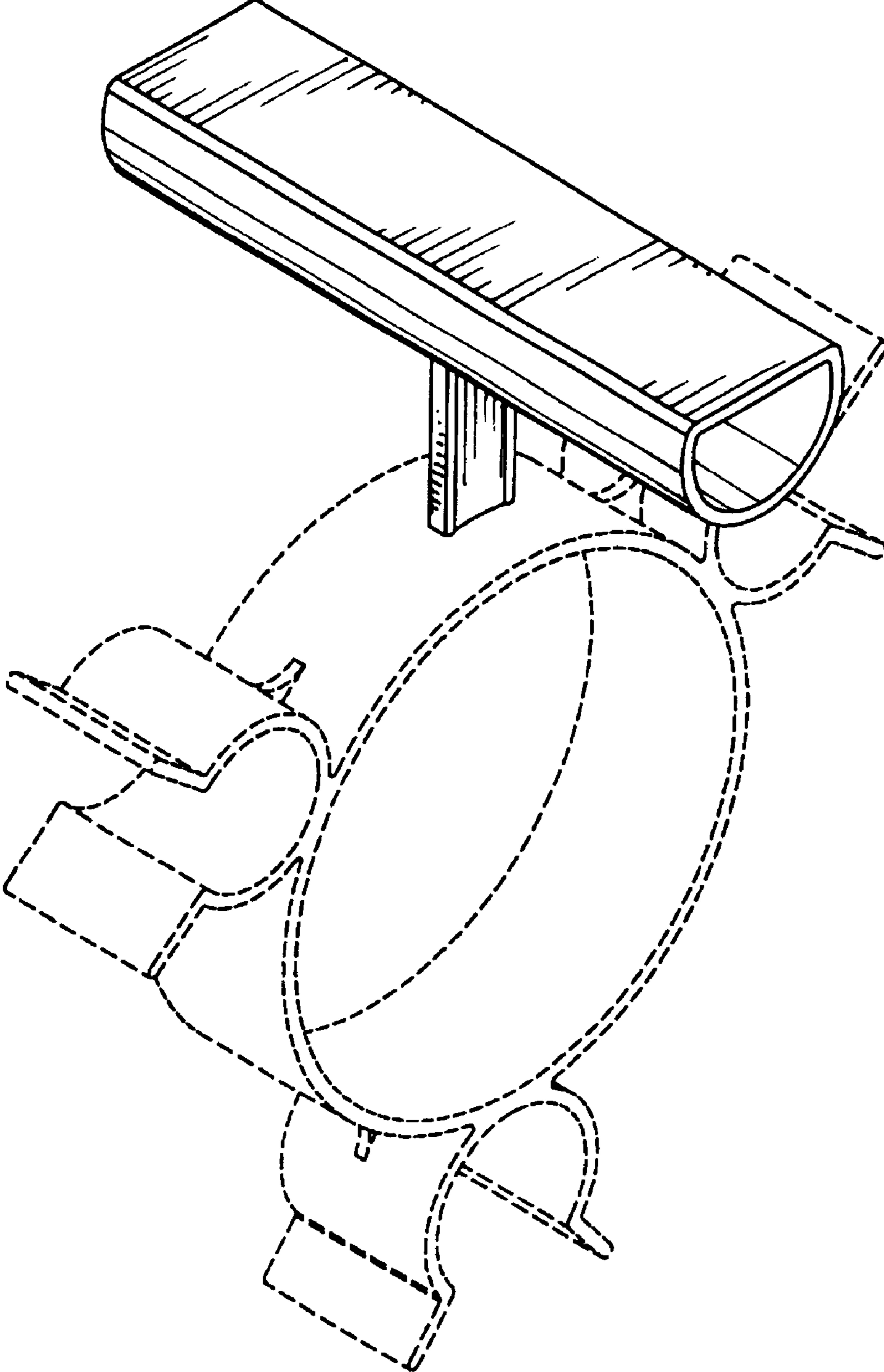


FIG. 1

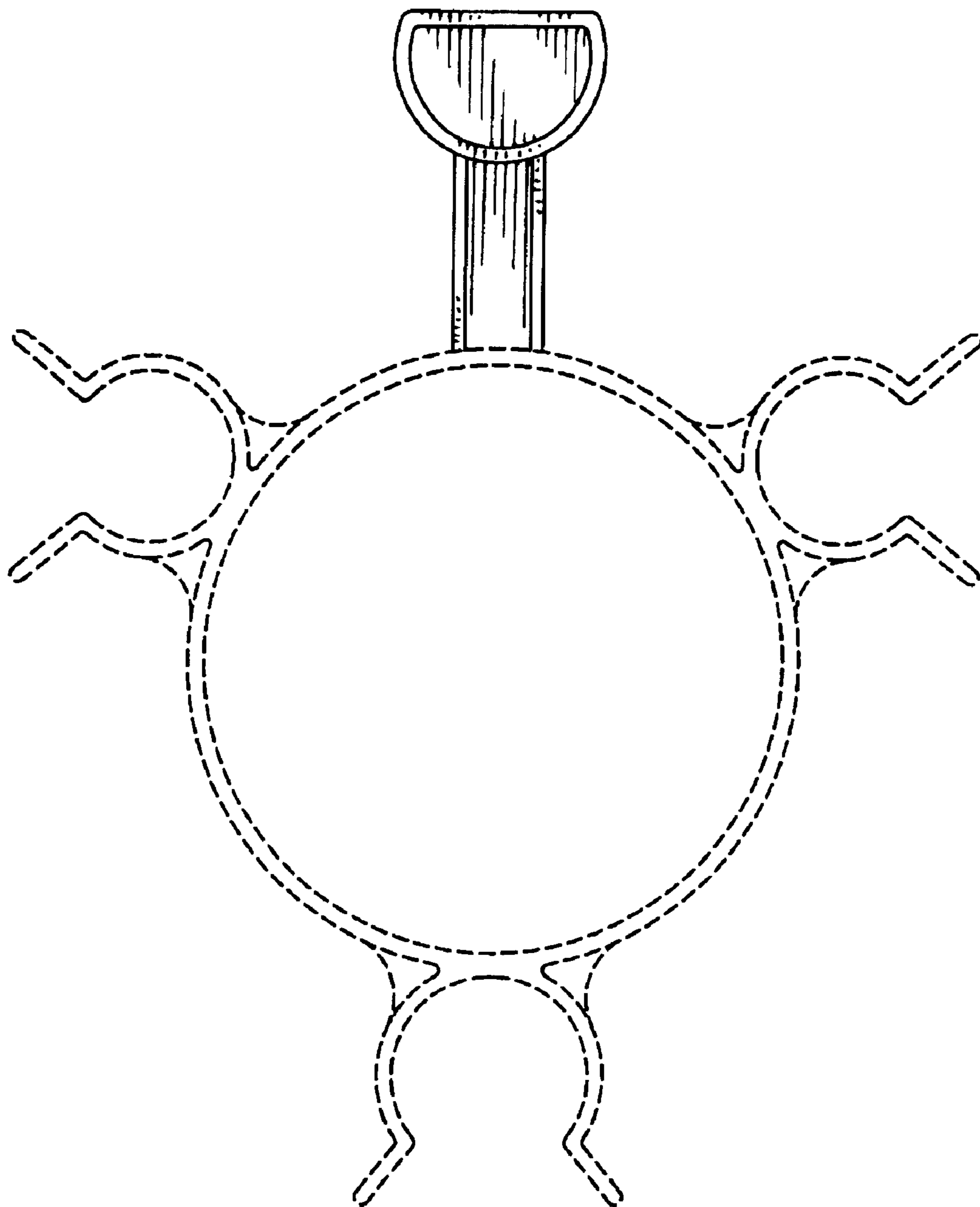


FIG. 2

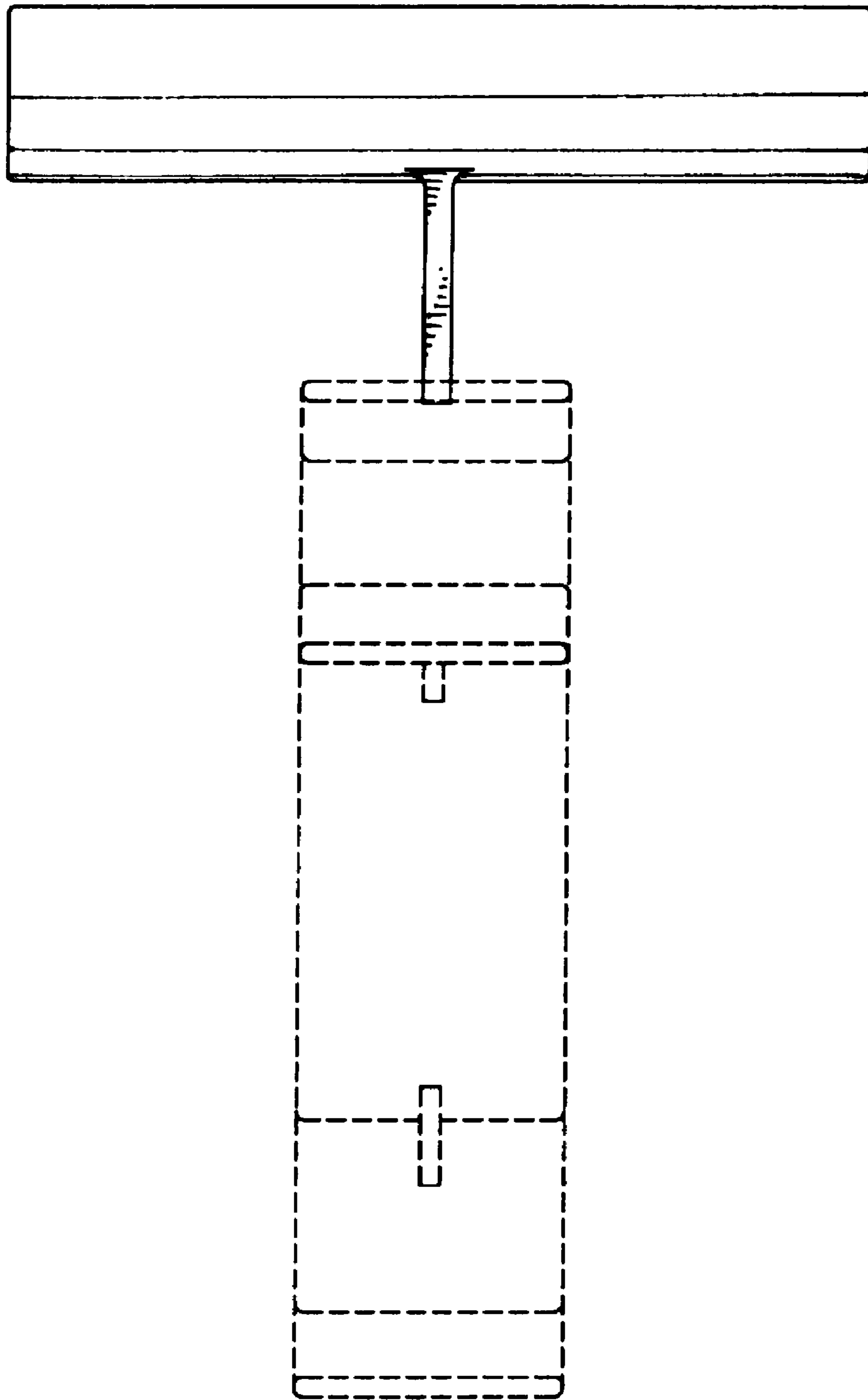


FIG. 3

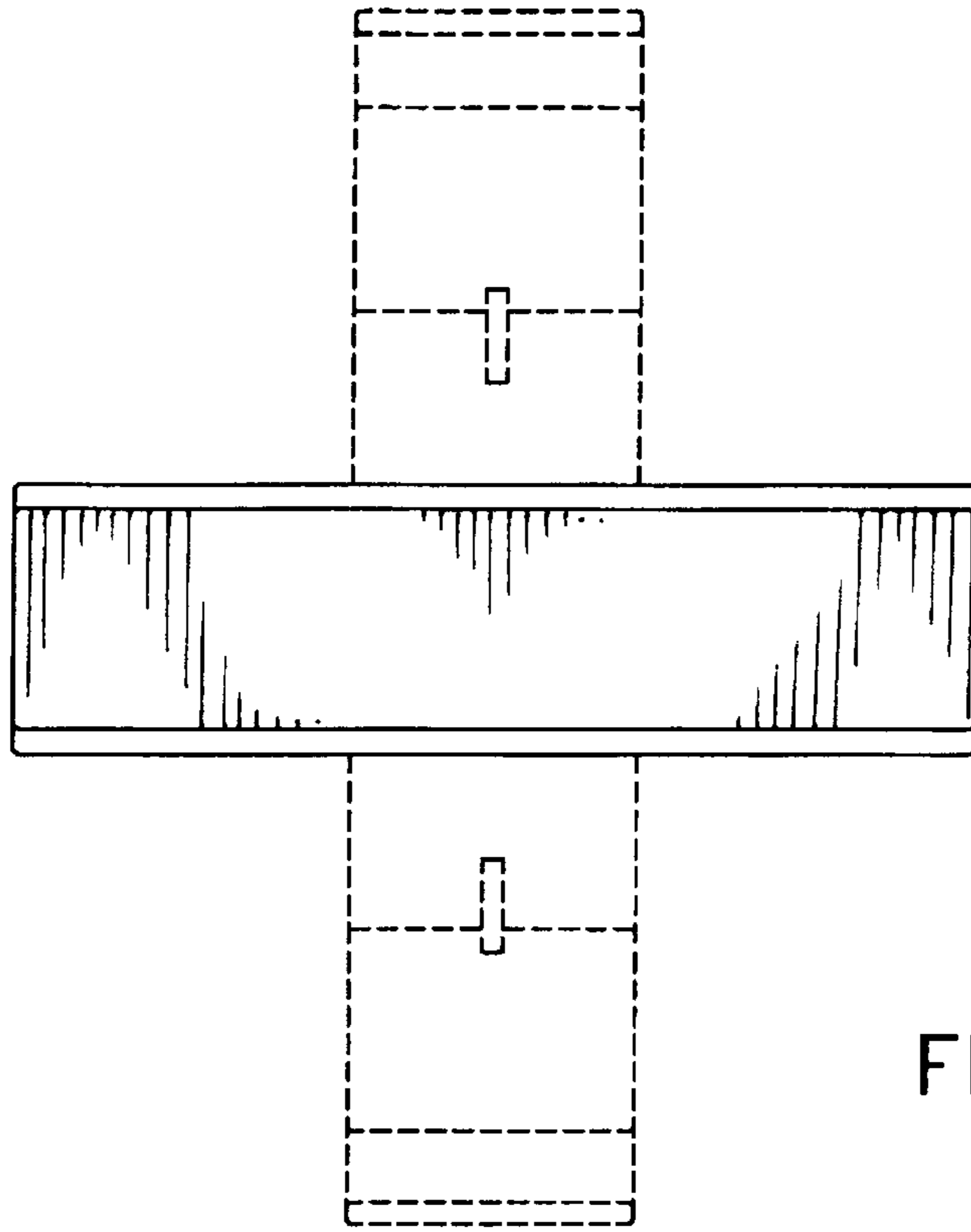


FIG. 4

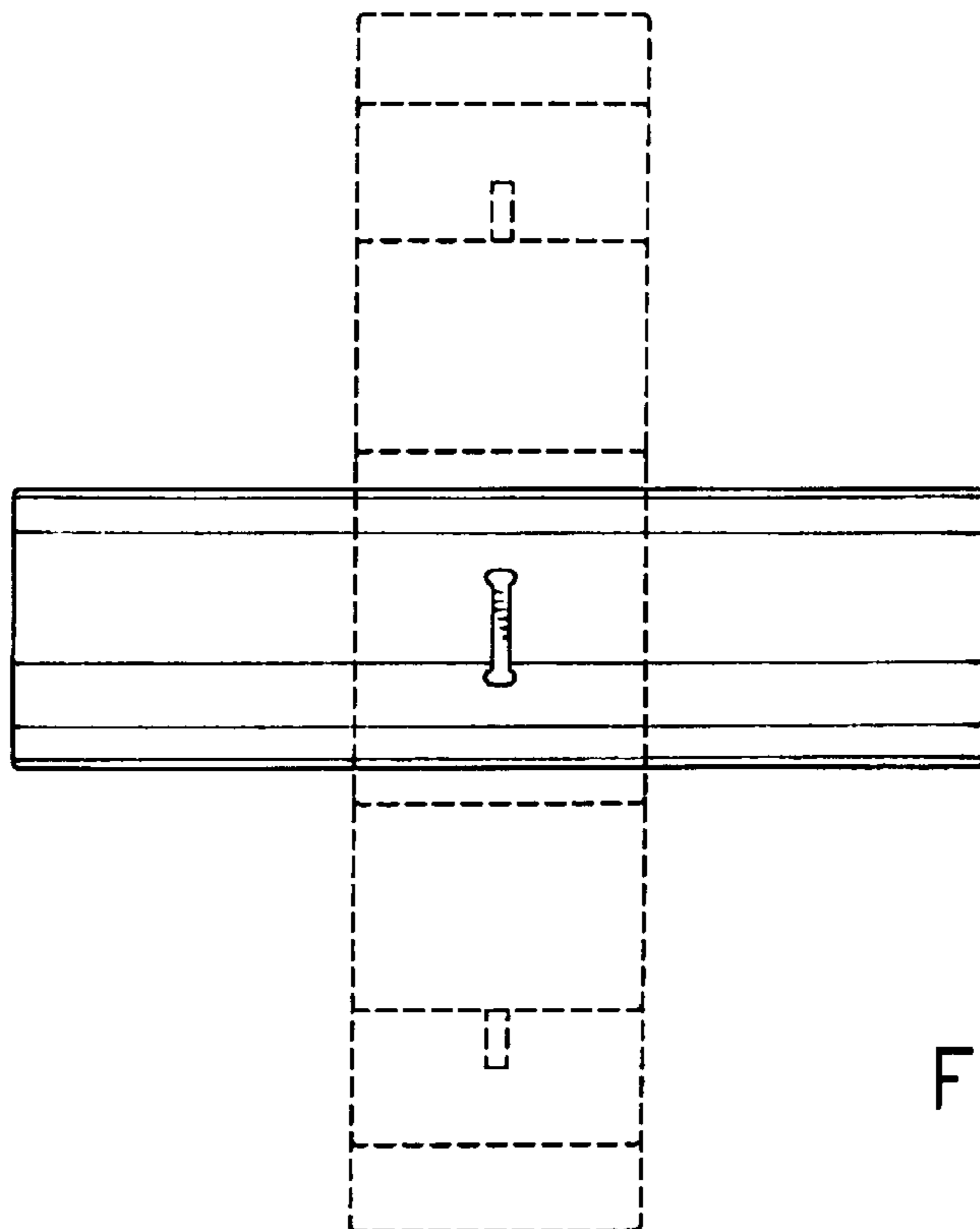


FIG. 5