



US00D528799S

(12) **United States Design Patent**
Vosloo

(10) **Patent No.:** **US D528,799 S**

(45) **Date of Patent:** **** Sep. 26, 2006**

(54) **FOURTEEN-WAY TOP CUFF FOR A GOLF BAG**

6,712,206 B1 * 3/2004 Chen 206/315.3
D517,808 S * 3/2006 Reimers et al. 206/315.3

(75) Inventor: **Clint Vosloo**, Suwanee, GA (US)

* cited by examiner

(73) Assignee: **Mizuno Corporation**, Osaka (JP)

Primary Examiner—Louis S. Zarfes

Assistant Examiner—Monica A. Weingart

(**) Term: **14 Years**

(74) *Attorney, Agent, or Firm*—Troutman Sanders LLP;
Gerald R. Boss

(21) Appl. No.: **29/236,027**

(57) **CLAIM**

(22) Filed: **Aug. 10, 2005**

The ornamental design for the fourteen-way top cuff for a golf bag, as shown and described.

(51) **LOC (8) Cl.** **03-01**

(52) **U.S. Cl.** **D3/320**

(58) **Field of Classification Search** D3/254,
D3/255, 318, 320, 328, 328.1; 150/159, 160;
206/315.2, 315.3, 315.4, 315.8; 211/70.2;
383/87; 280/DIG. 6

See application file for complete search history.

DESCRIPTION

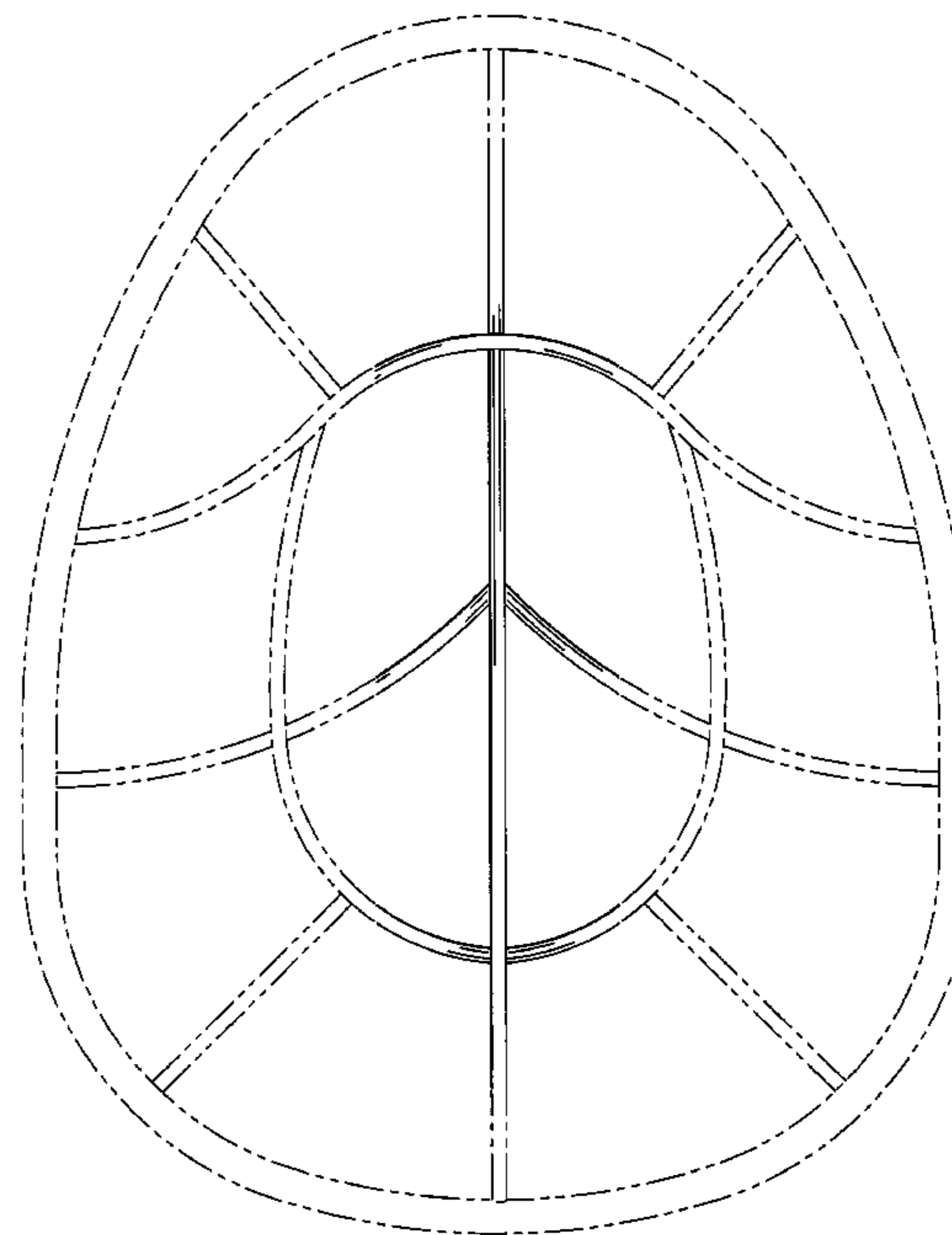
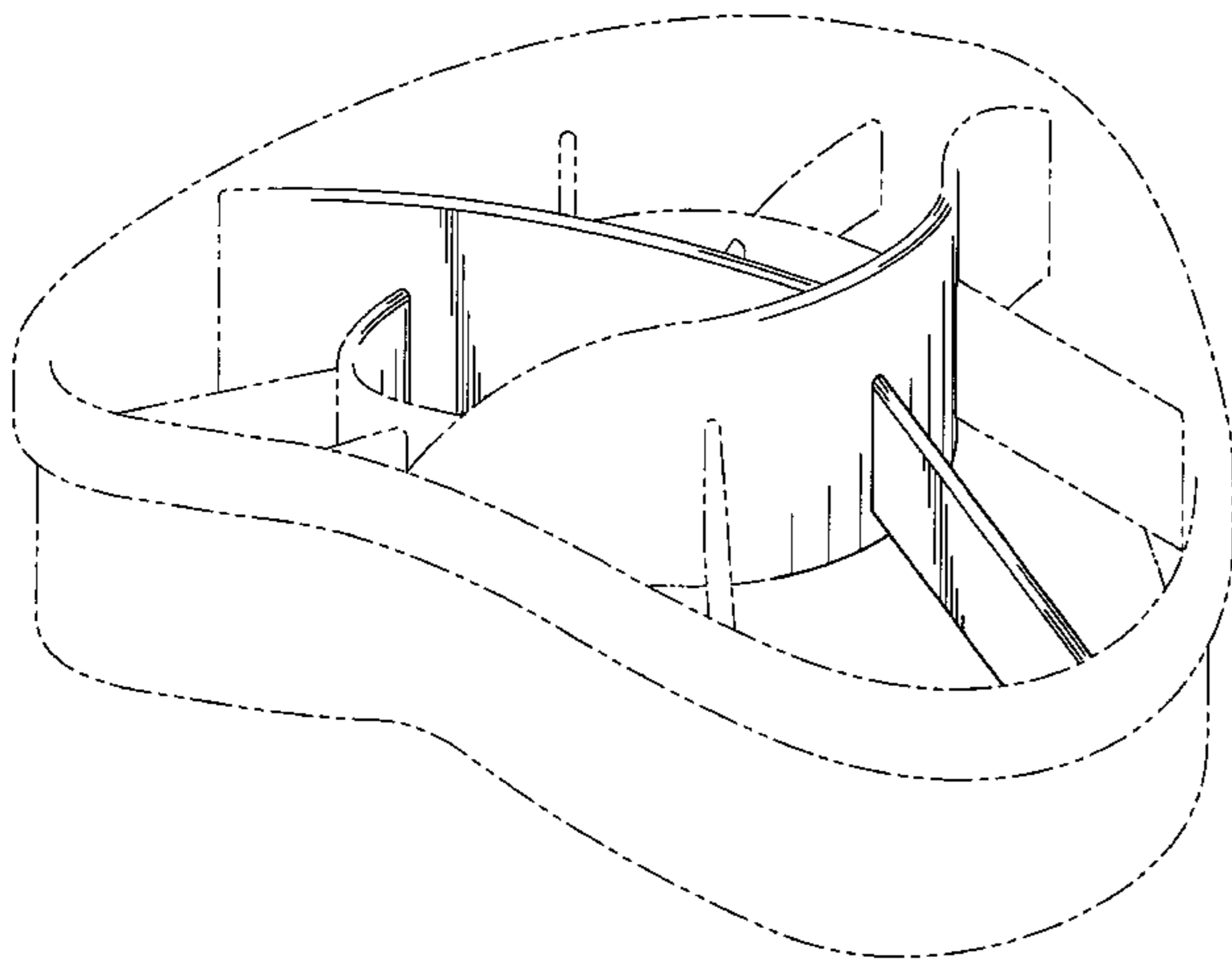
FIG. 1 is a top perspective view of the fourteen-way top cuff for a golf bag showing my new design; FIG. 2 is a front elevation of the top cuff; FIG. 3 is a side elevation view of the top cuff; FIG. 4 is a back elevation view of the top cuff; FIG. 5 is top view of the top cuff; and, FIG. 6 is a bottom view of the top cuff. The broken line(s) which define the bounds of the claimed design form no part thereof.

(56) **References Cited**

U.S. PATENT DOCUMENTS

D382,406 S * 8/1997 Kim D3/320
D391,082 S * 2/1998 Kim D3/320
D407,900 S * 4/1999 Baird D3/320

1 Claim, 6 Drawing Sheets



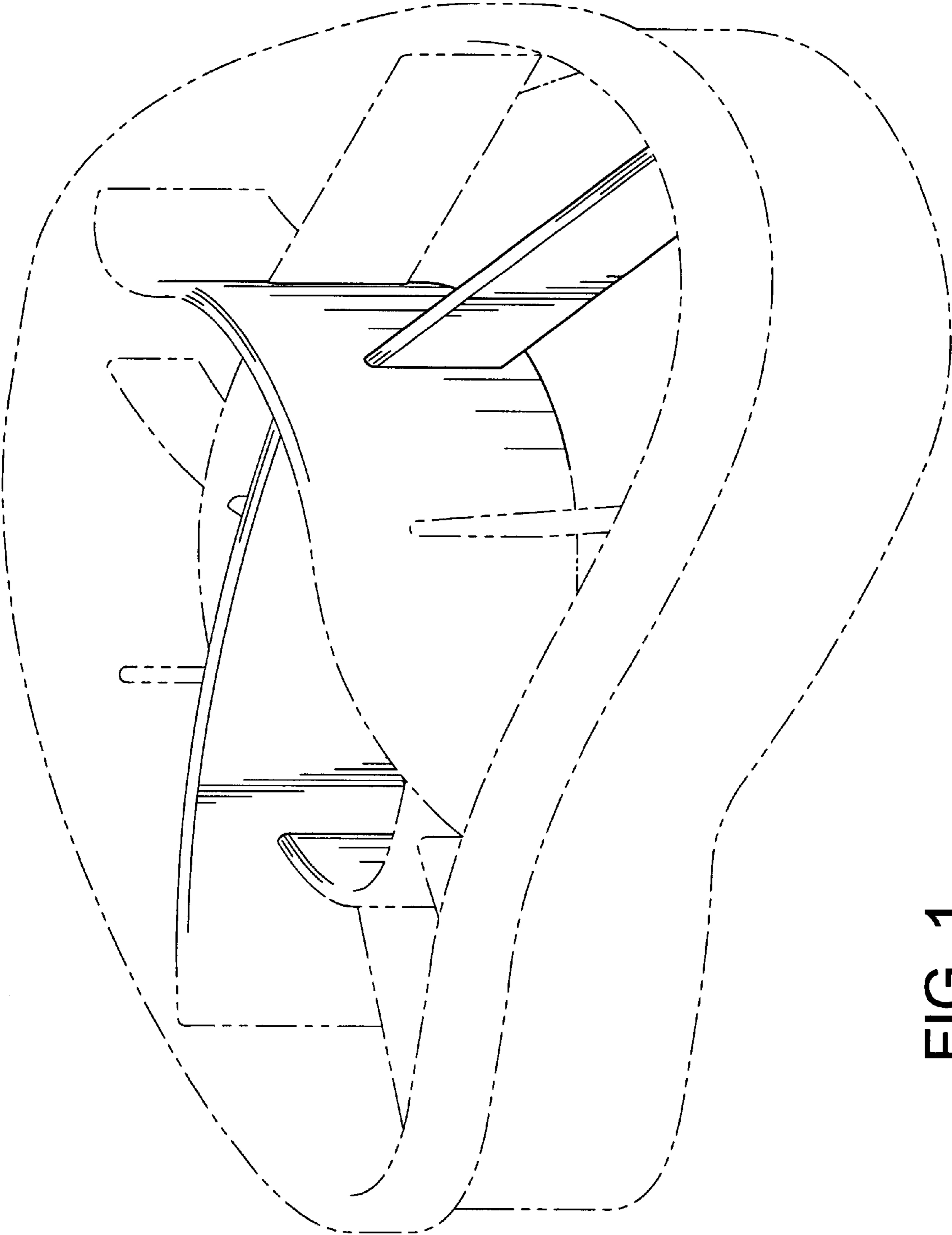


FIG. 1

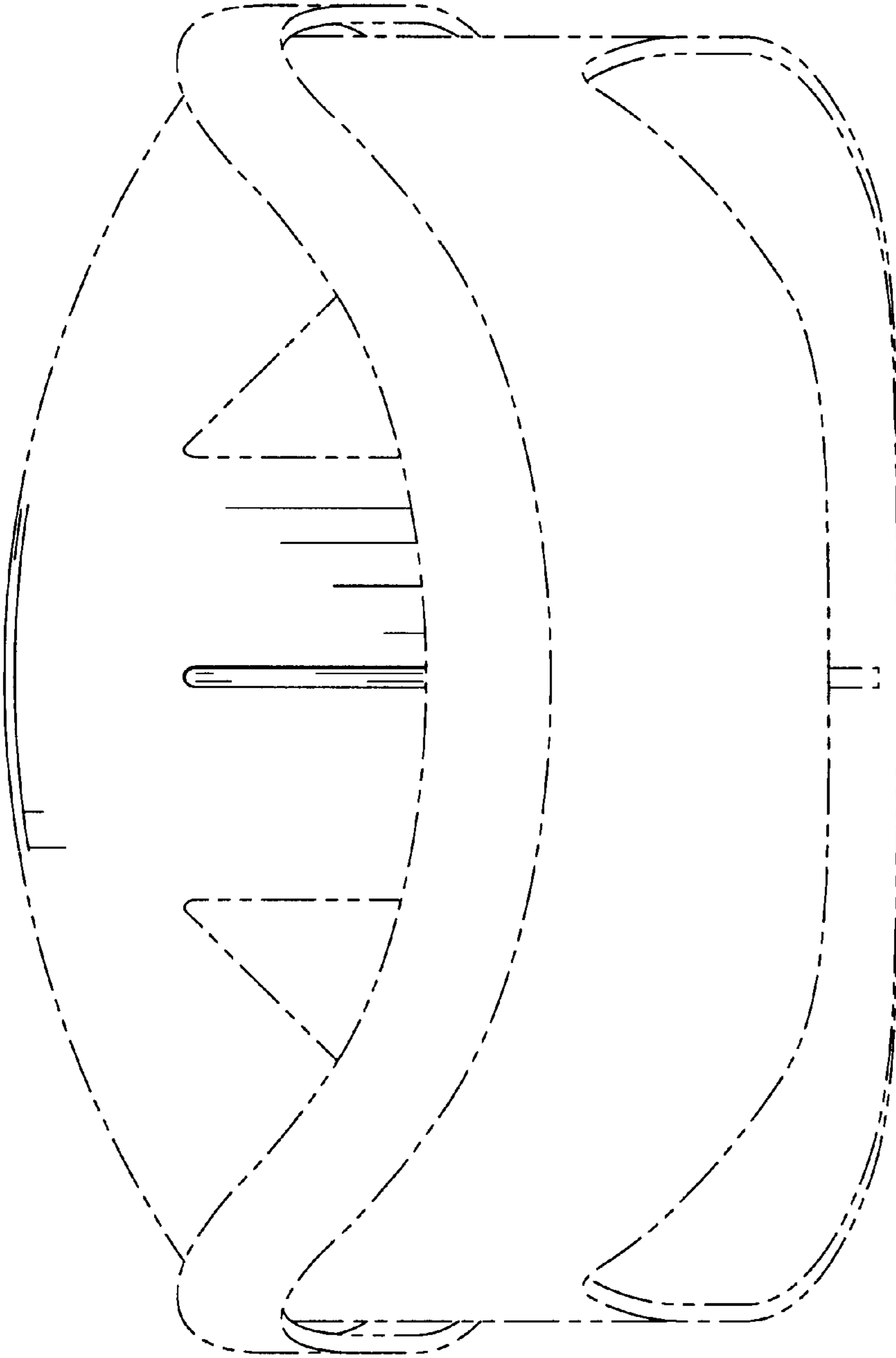


FIG. 2

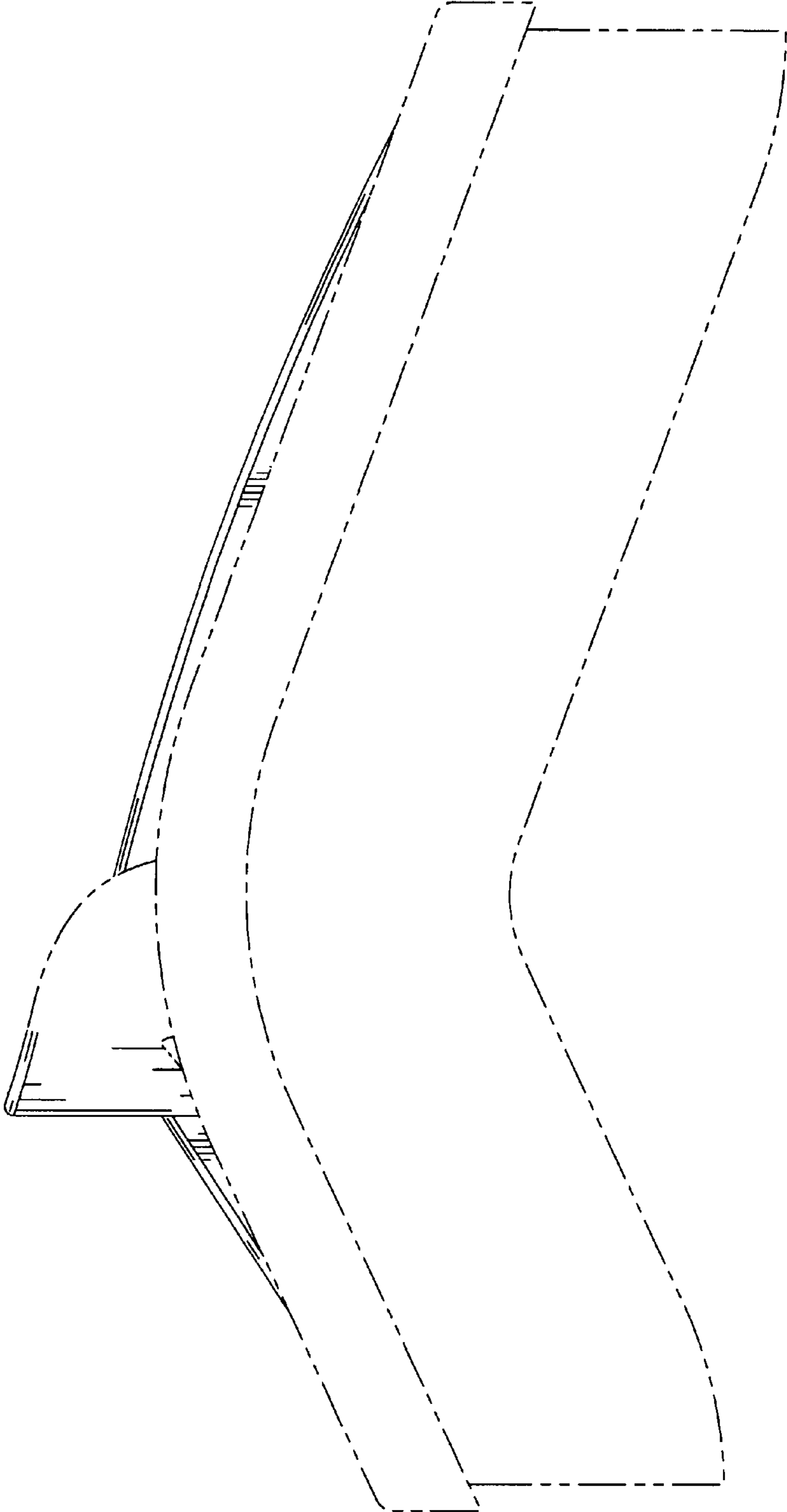


FIG. 3

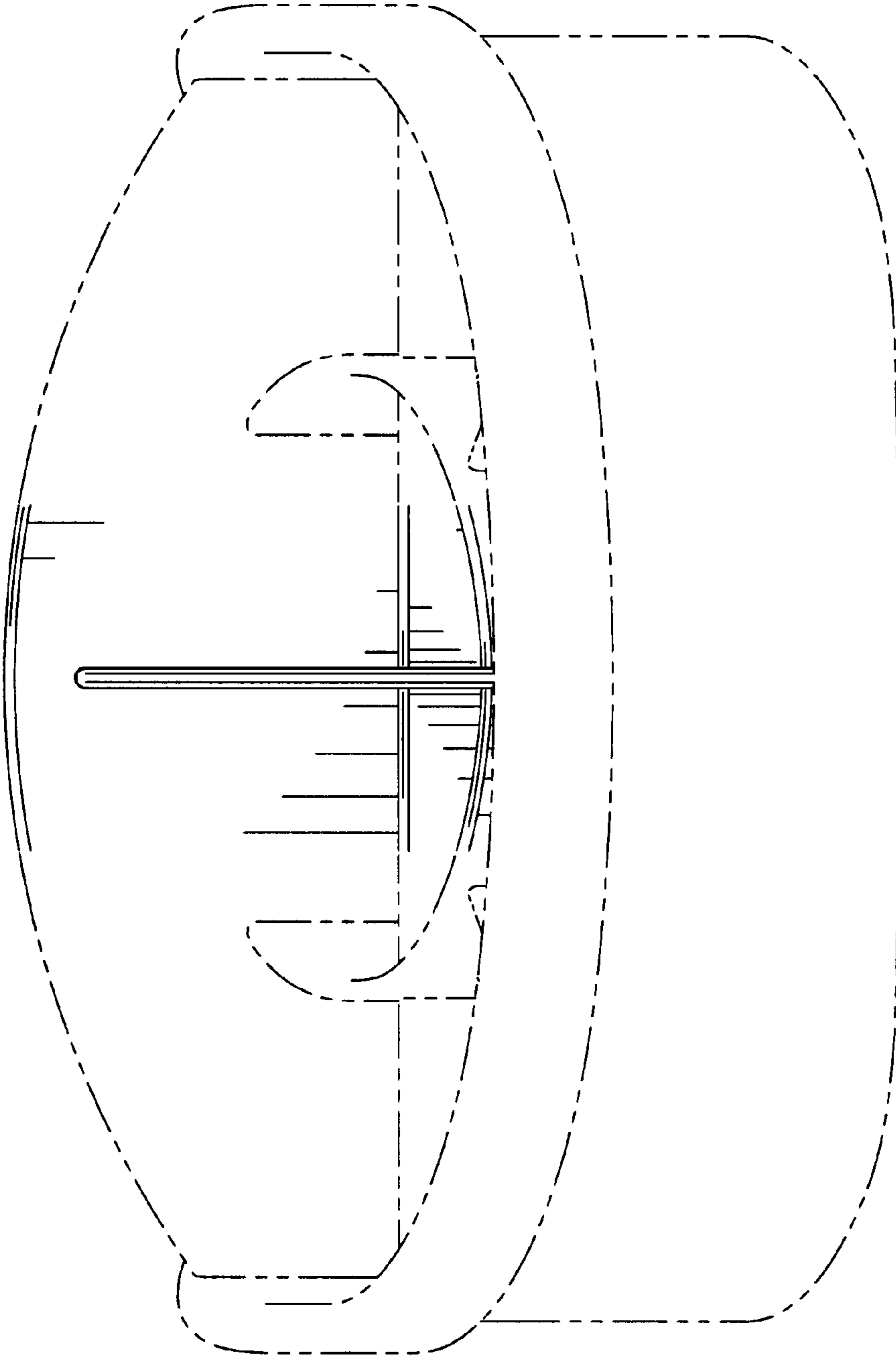


FIG. 4

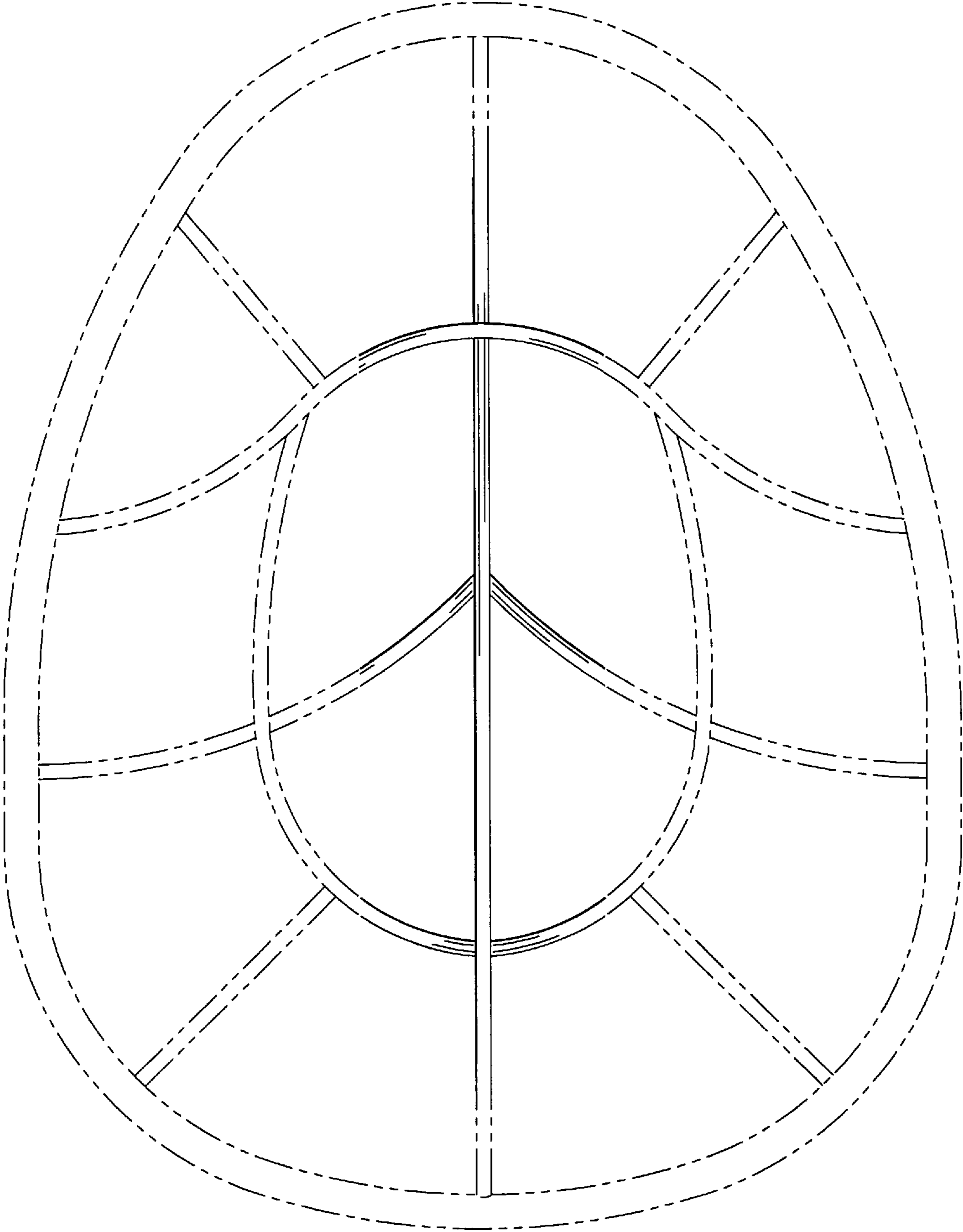


FIG. 5

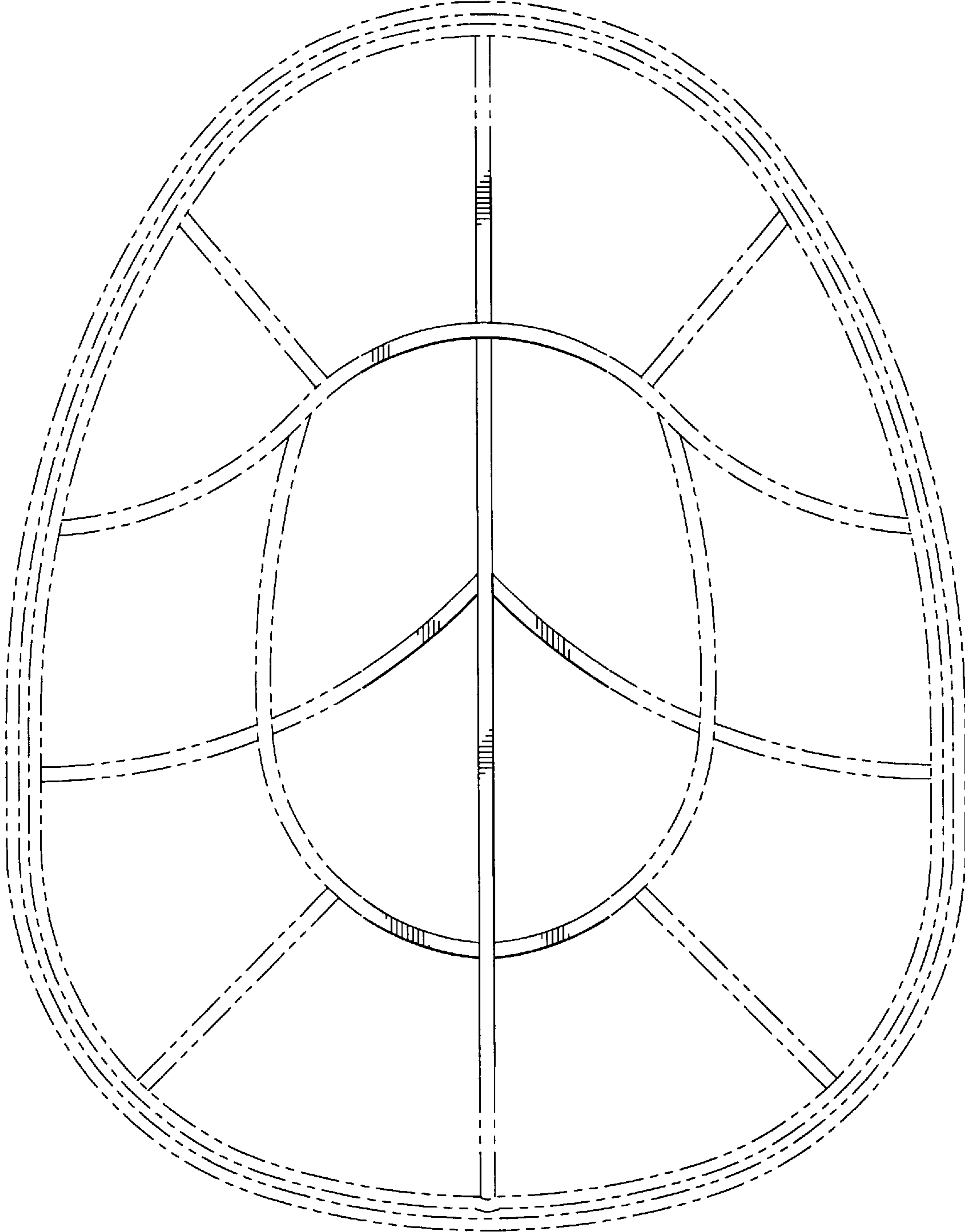


FIG. 6