



US00D528796S

(12) **United States Design Patent**
Henning et al.

(10) **Patent No.:** **US D528,796 S**

(45) **Date of Patent:** **** Sep. 26, 2006**

(54) **CASE STORAGE AND TRANSPORT RACK**

(75) Inventors: **Peter H. Henning**, Sugar Grove, IL (US); **Robert Charles Rath**, Geneva, IL (US); **Jeffrey Alan Rustemeyer**, Naperville, IL (US); **Dennis E. Bahl**, Somonauk, IL (US); **Jesus Roberto Montenegro**, Plano, IL (US); **Shawn O'Neill Barrett**, Libertyville, IL (US); **Paul Bond**, Chicago, IL (US); **William C. Cesaroni**, Glenview, IL (US); **Robert J. Yunger**, Naperville, IL (US)

(73) Assignee: **Plano Molding Company**, Plano, IL (US)

(**) Term: **14 Years**

(21) Appl. No.: **29/203,324**

(22) Filed: **Apr. 13, 2004**

(51) **LOC (8) Cl.** **03-01**

(52) **U.S. Cl.** **D3/315**

(58) **Field of Classification Search** D3/273,
D3/276, 281, 321, 282, 294, 295, 283, 284,
D3/905, 302, 307, 308, 310, 315, 318; 220/500,
220/507, 555; 206/34, 372, 373

See application file for complete search history.

(56) **References Cited**

U.S. PATENT DOCUMENTS

D393,541 S	*	4/1998	Calmeise	D3/297
D409,431 S	*	5/1999	Chininis et al.	D6/630
D471,358 S	*	3/2003	Yang	D3/276
D471,359 S	*	3/2003	Yang	D3/276
6,533,138 B1	*	3/2003	Chwen-Ru	220/522
D504,232 S	*	4/2005	Chen	D3/321
D511,632 S	*	11/2005	Lown	D6/440
2005/0155889 A1	*	7/2005	Lown	206/501

* cited by examiner

Primary Examiner—Louis S. Zarfes

Assistant Examiner—Kathleen Sims

(74) *Attorney, Agent, or Firm*—Vedder, Price, Kaufman & Kammholz

(57) **CLAIM**

The ornamental design for a case storage and transport rack, as shown and described.

DESCRIPTION

FIG. 1 is a perspective view of a case storage and transport rack showing the new design;

FIG. 2 is a front elevational view;

FIG. 3 is a rear elevational view;

FIG. 4 is a right side elevational view;

FIG. 5 is a left side elevational view;

FIG. 6 is a top plan view;

FIG. 7 is a bottom plan view; and

FIG. 8 is a perspective view of the case storage and transport rack of FIG. 1 with a plurality of complimentary cases disposed therein shown in broken line;

FIG. 9 is a perspective view of a second embodiment of FIG. 1;

FIG. 10 is a front elevational view of the second embodiment;

FIG. 11 is a rear elevational view of the second embodiment;

FIG. 12 is a right side elevational view of the second embodiment;

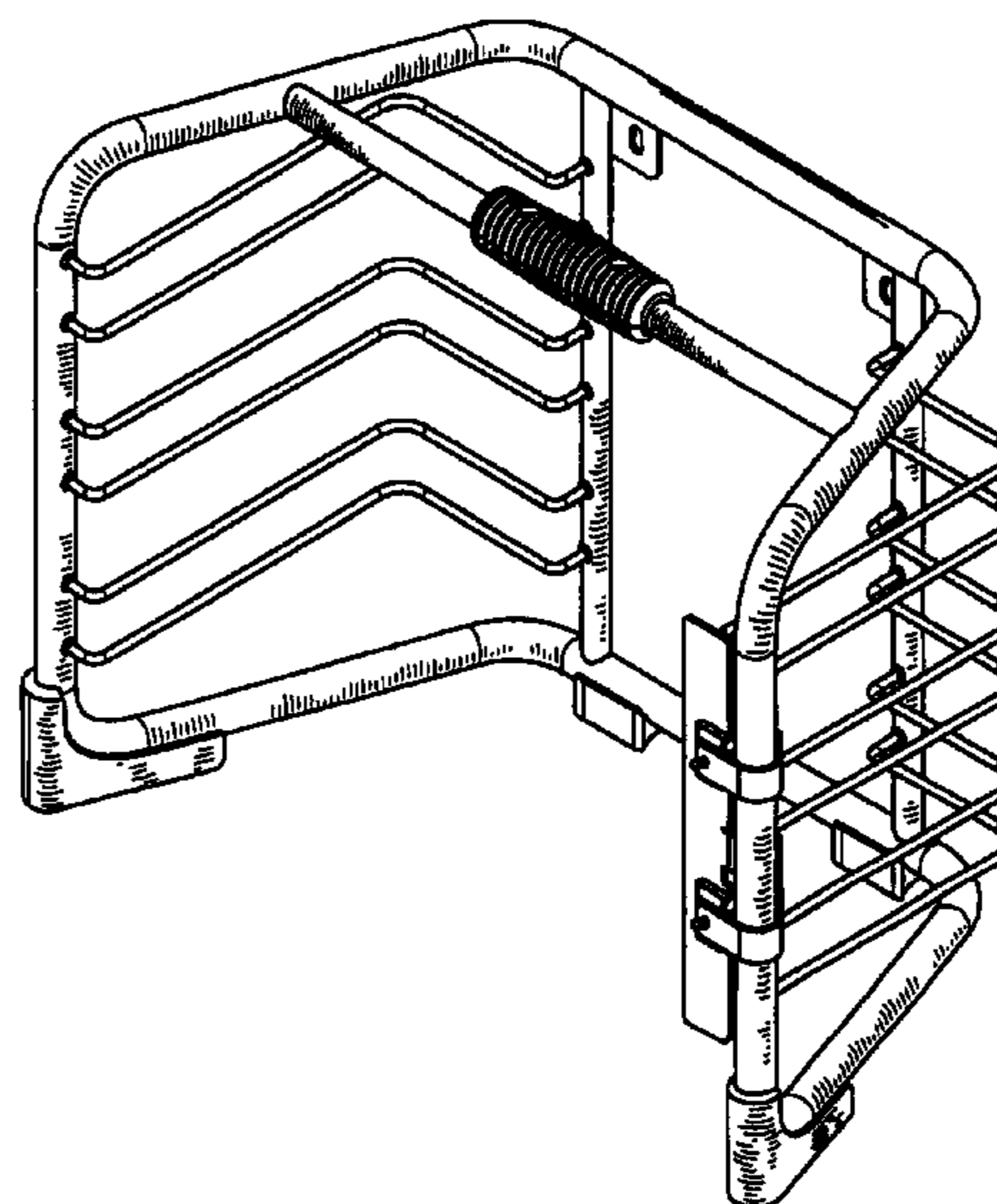
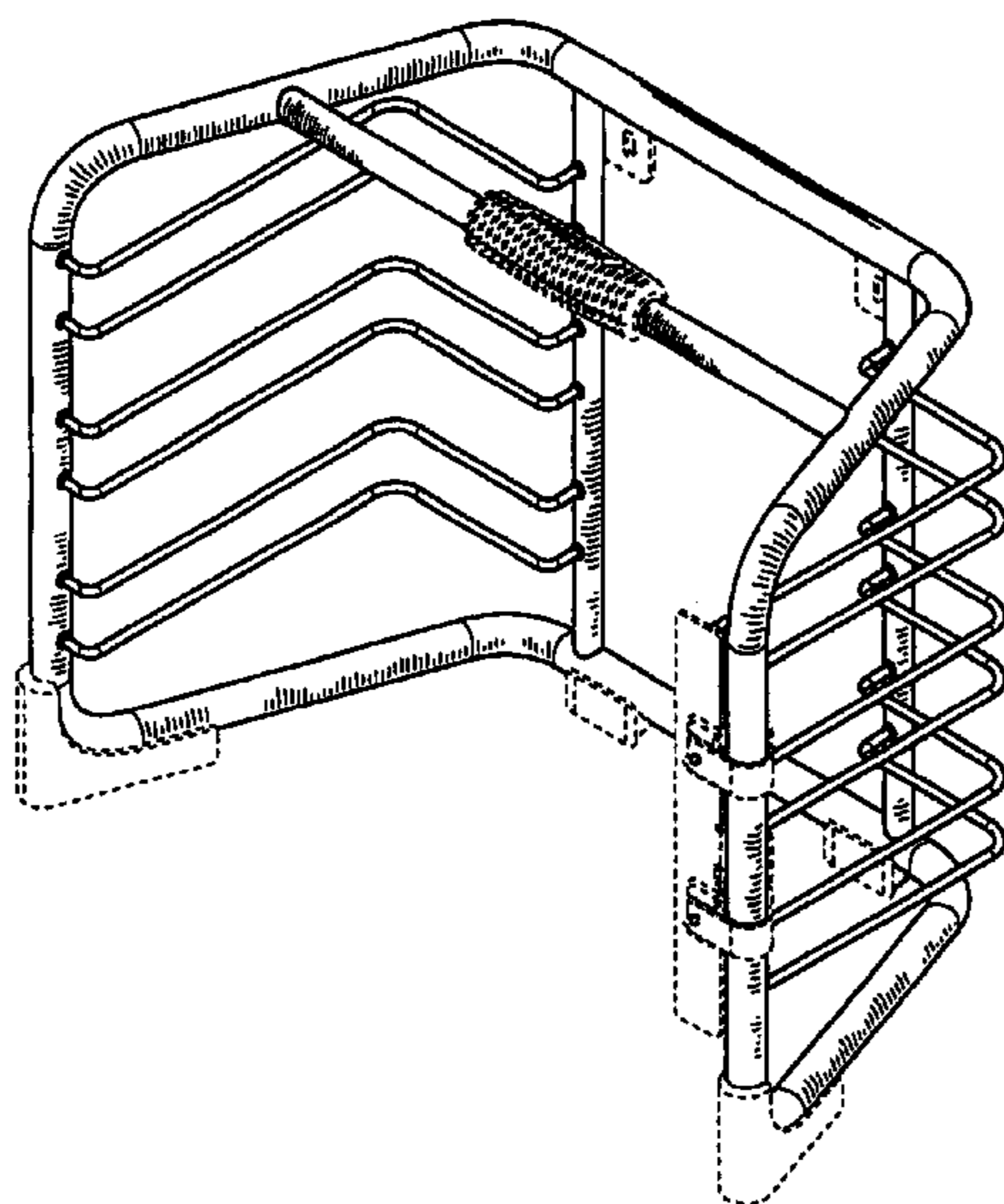
FIG. 13 is a left side elevational view of the second embodiment;

FIG. 14 is a top plan view of the second embodiment; and,

FIG. 15 is a bottom plan view of the second embodiment.

The broken line showing is for illustrative purposes only and forms no part of the claimed design.

1 Claim, 9 Drawing Sheets



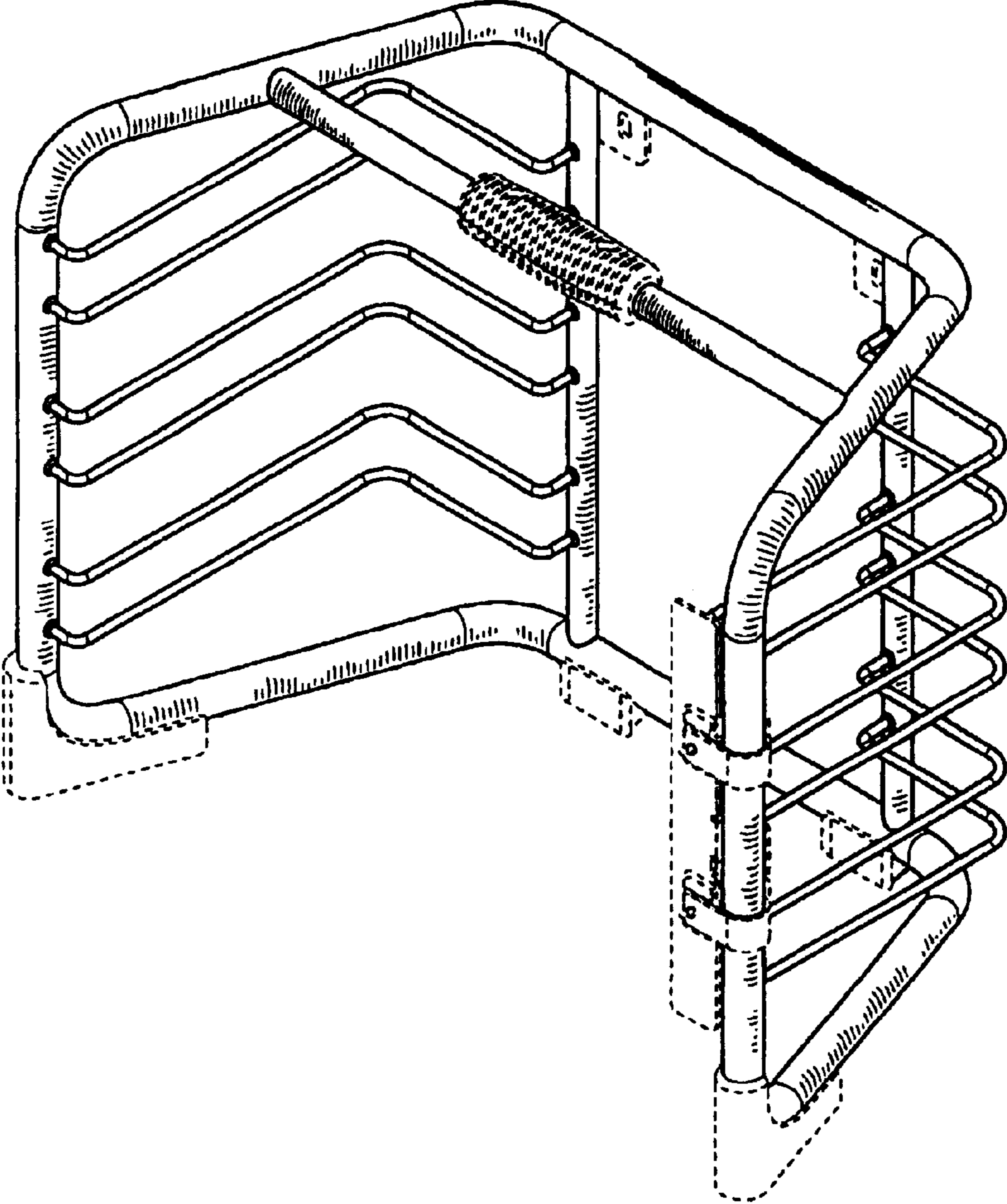


FIG. 1

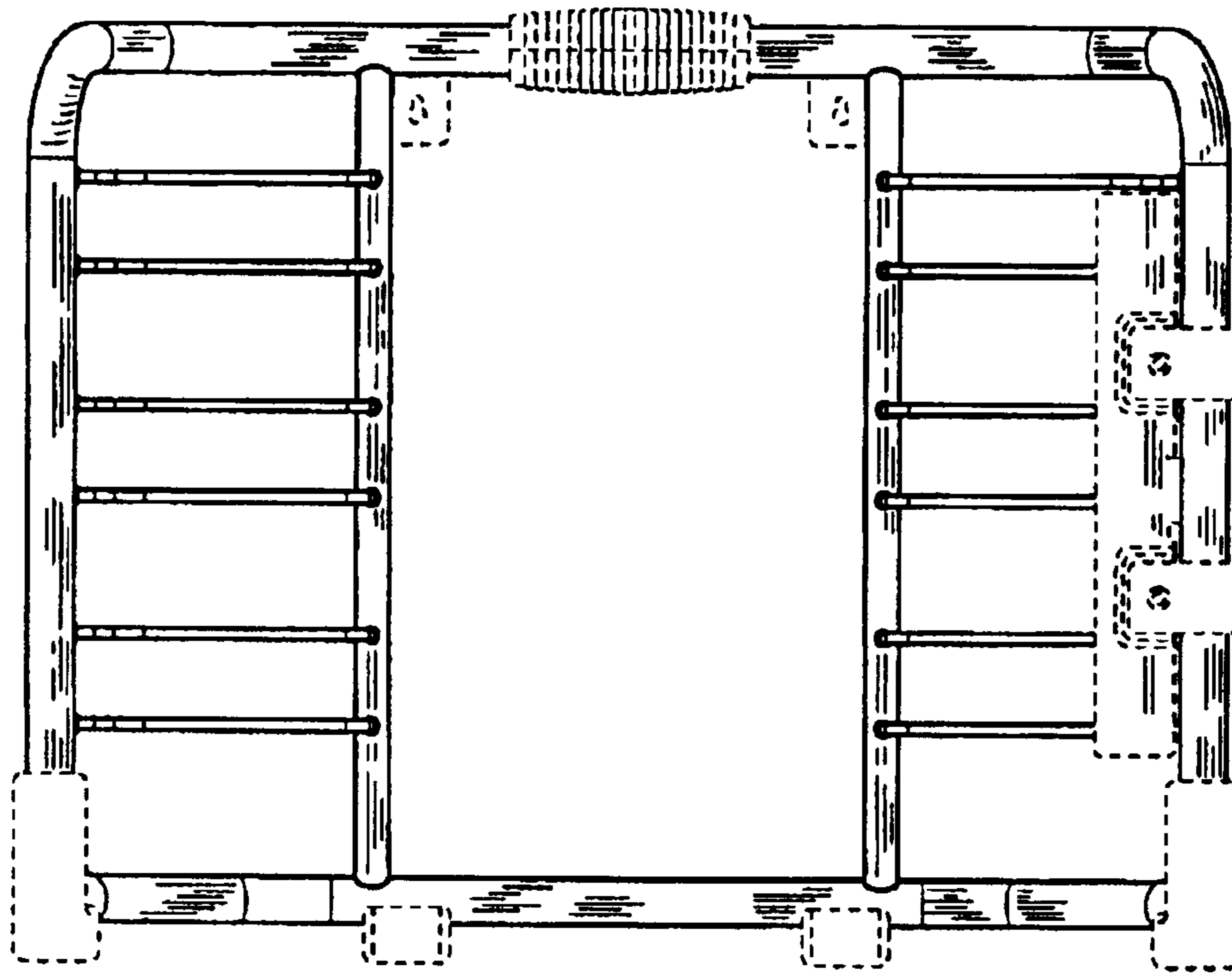


FIG. 2

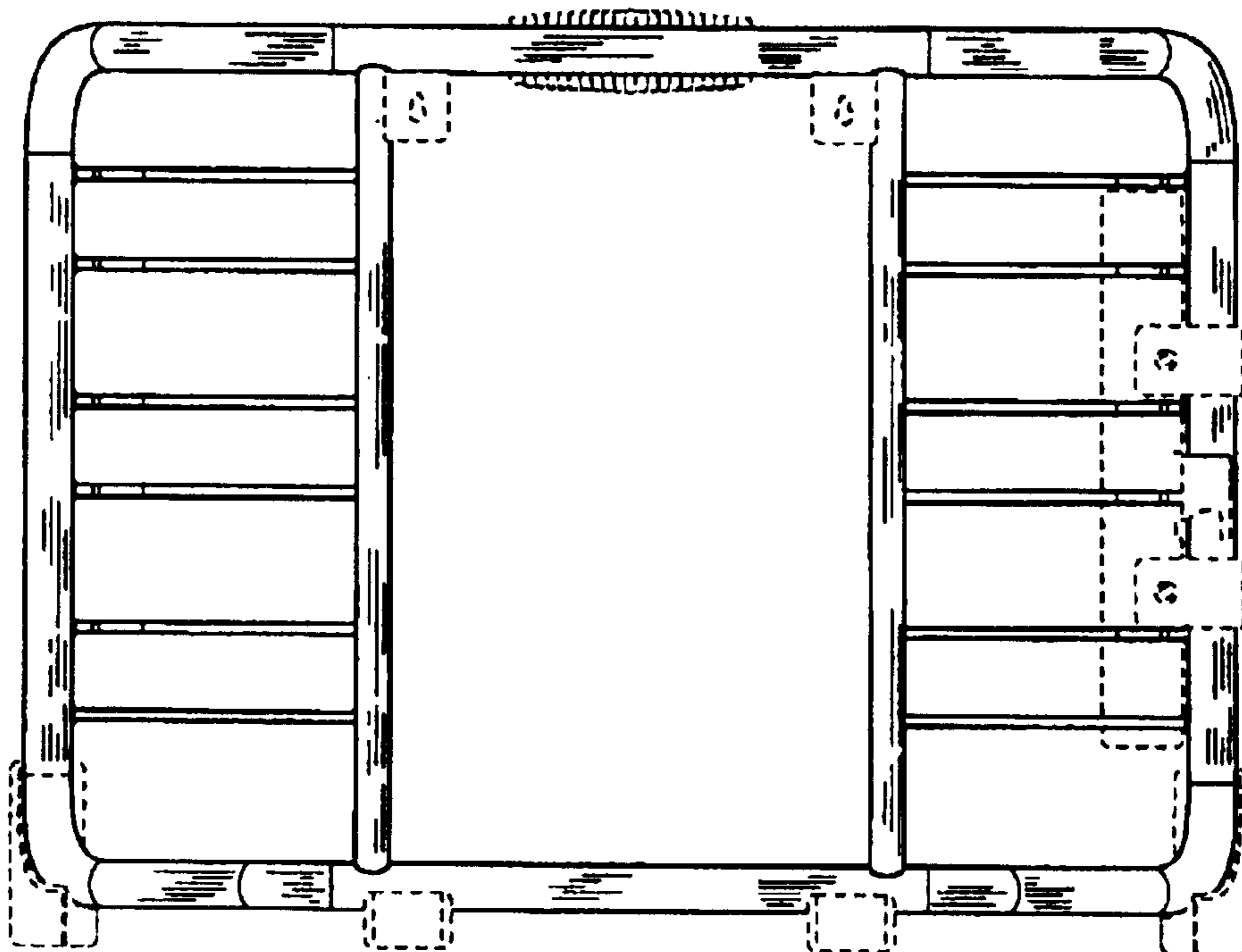


FIG. 3

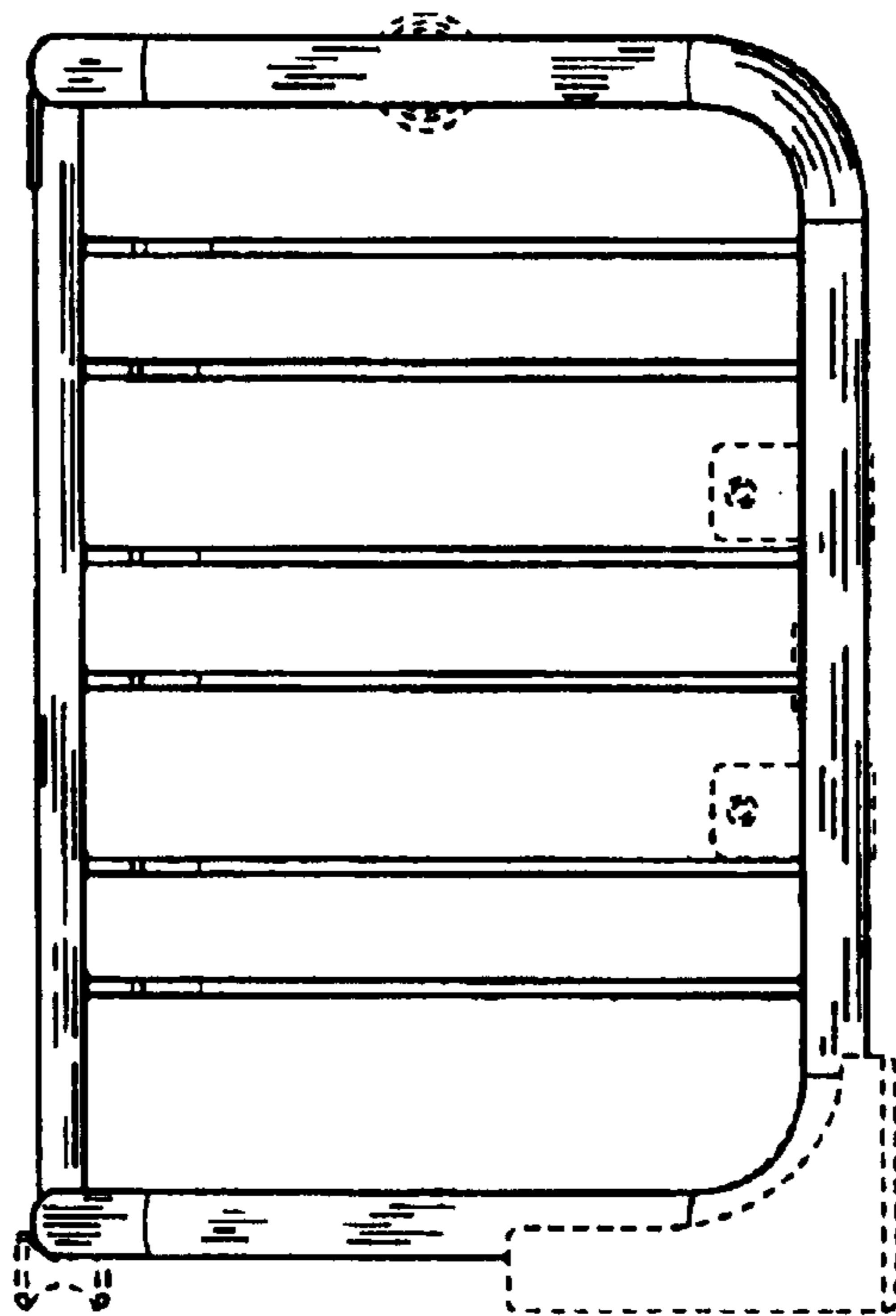


FIG. 4

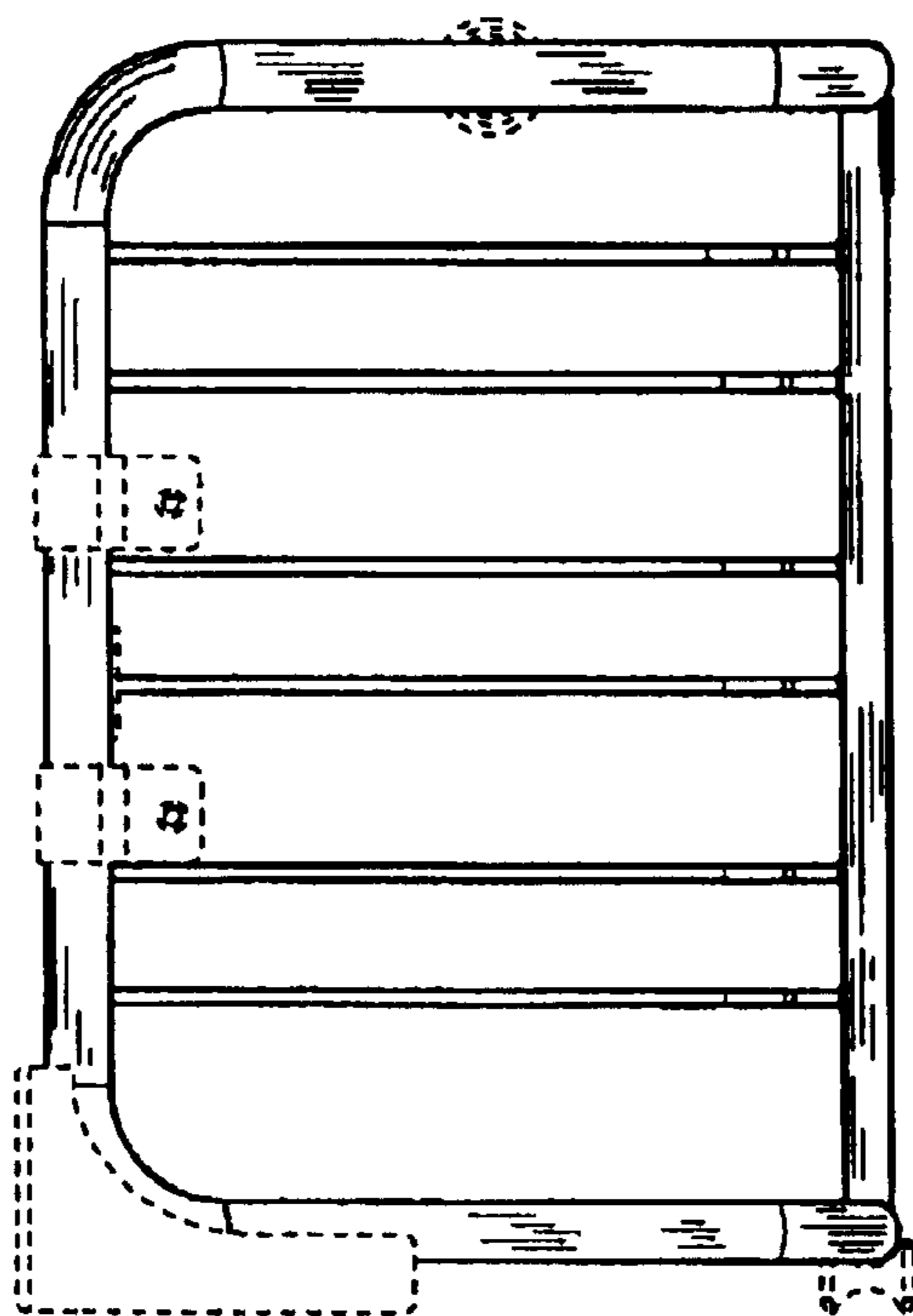


FIG. 5

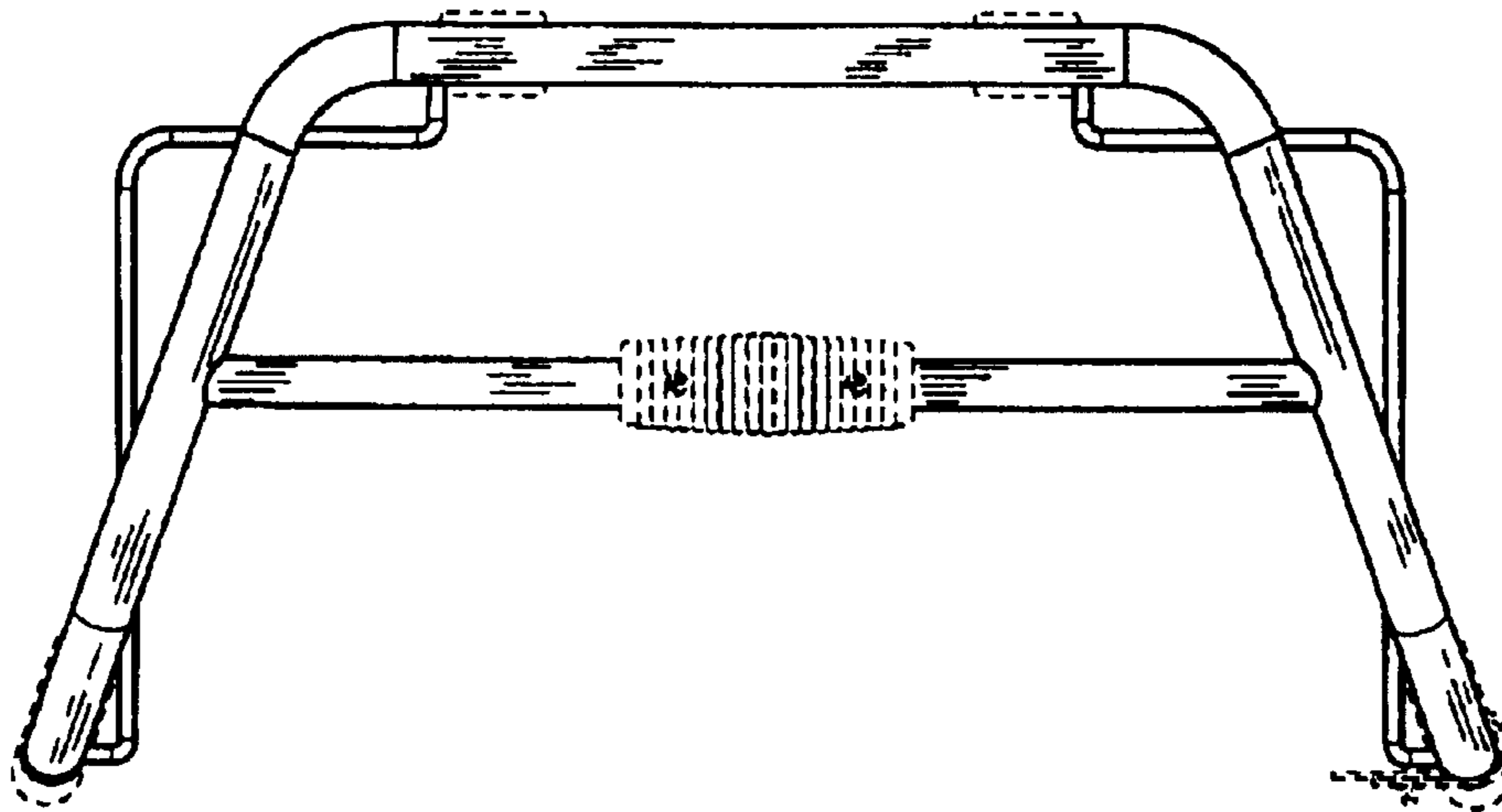


FIG. 6

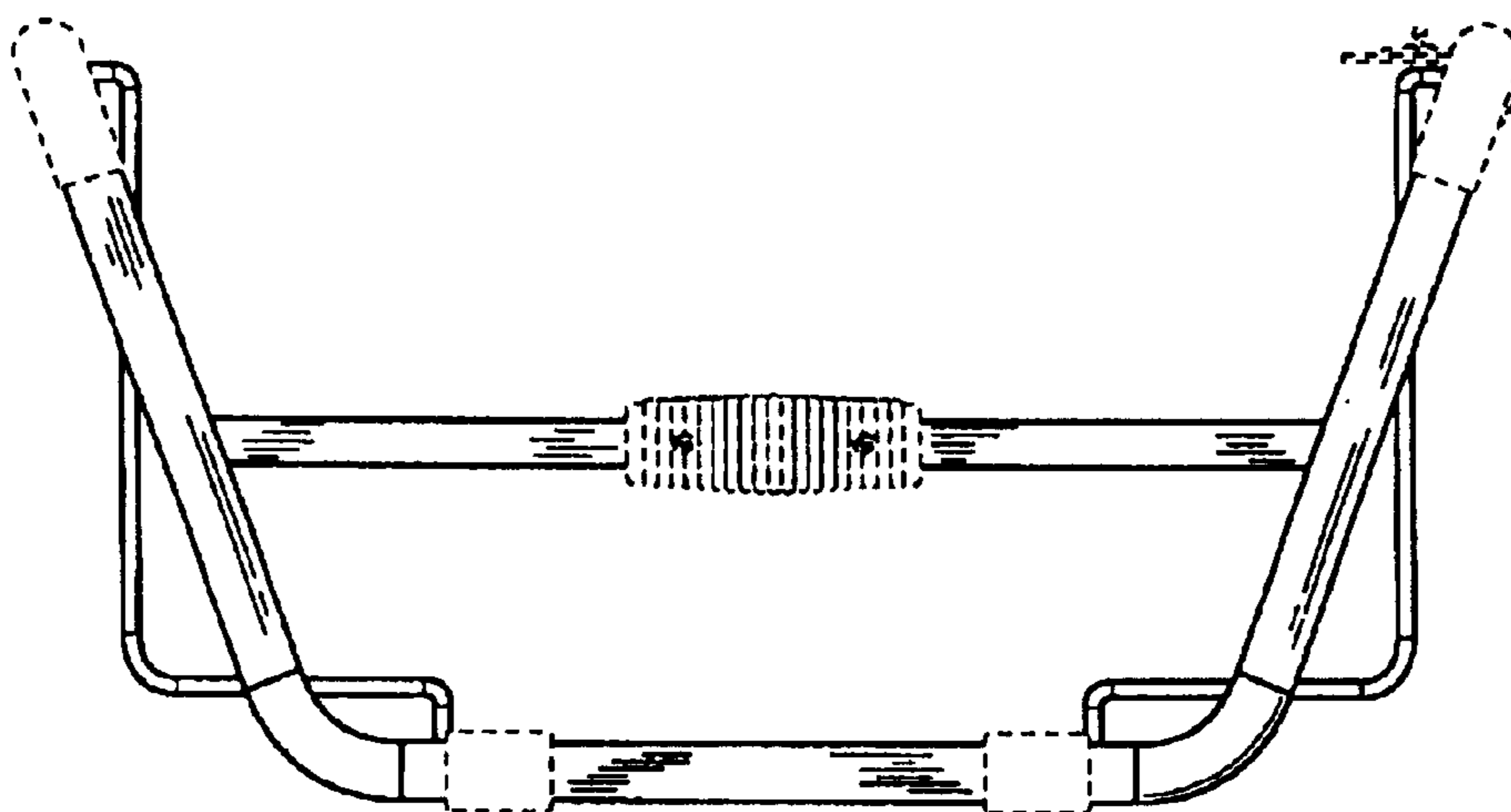


FIG. 7

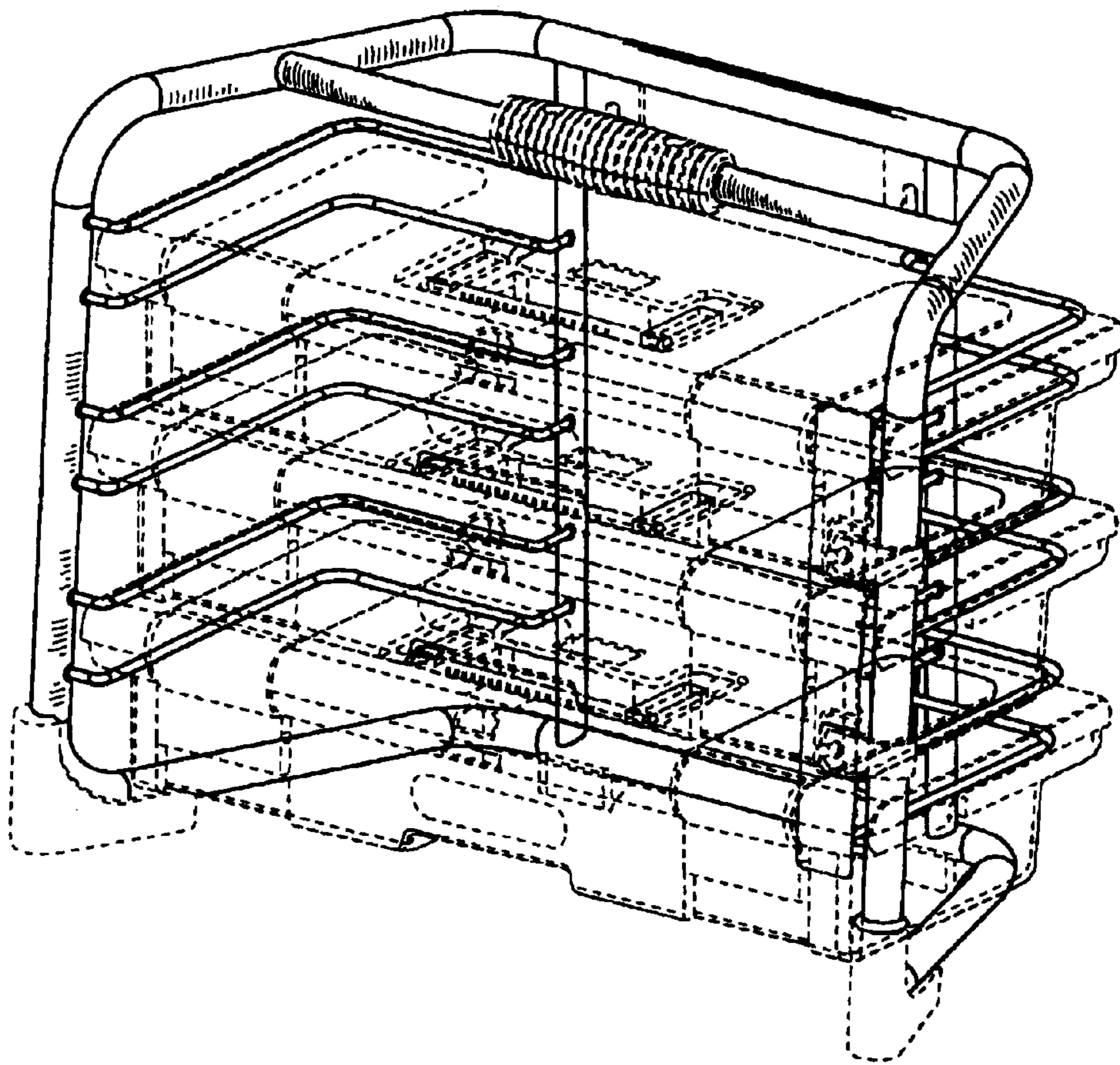


FIG. 8

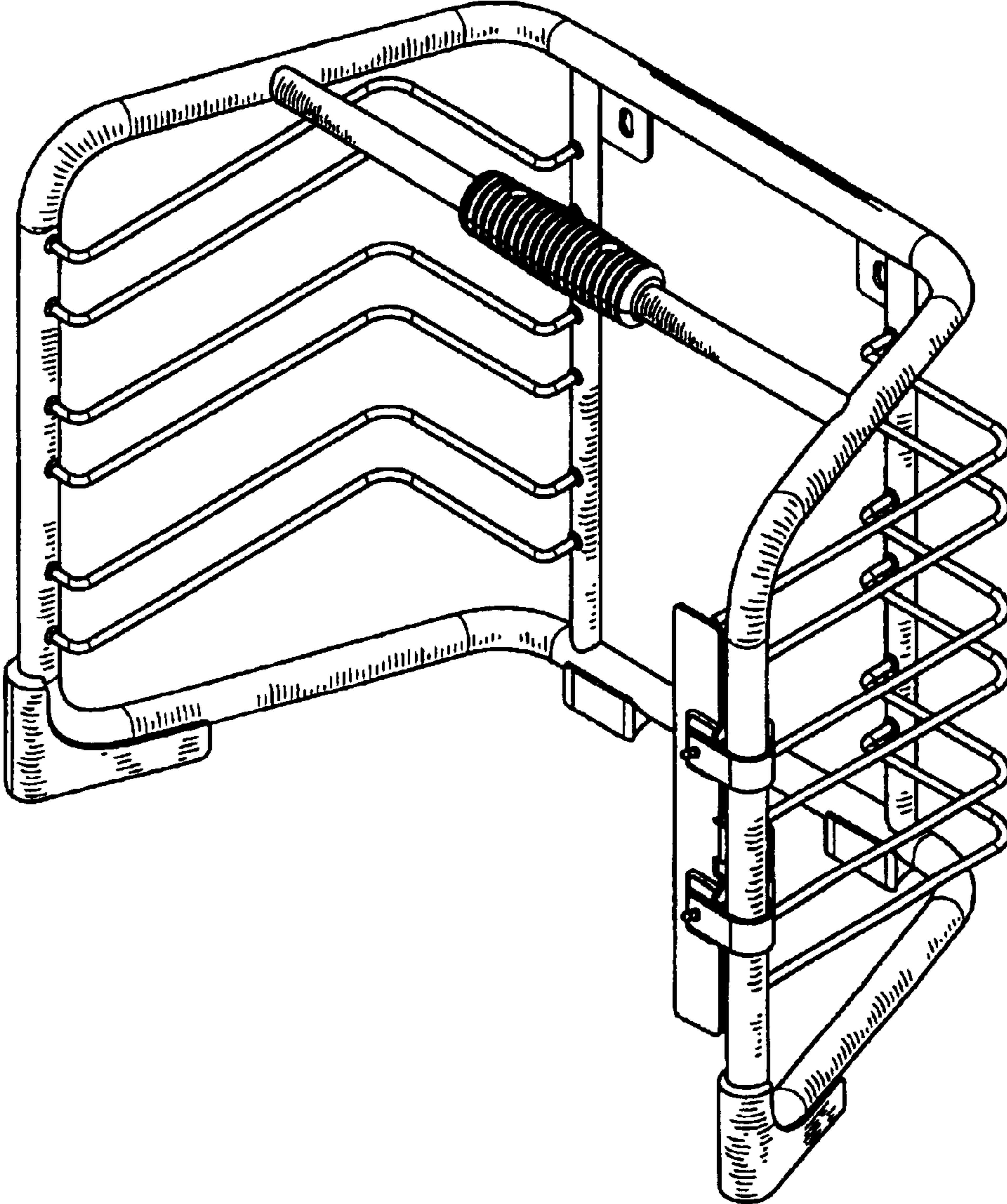


FIG. 9

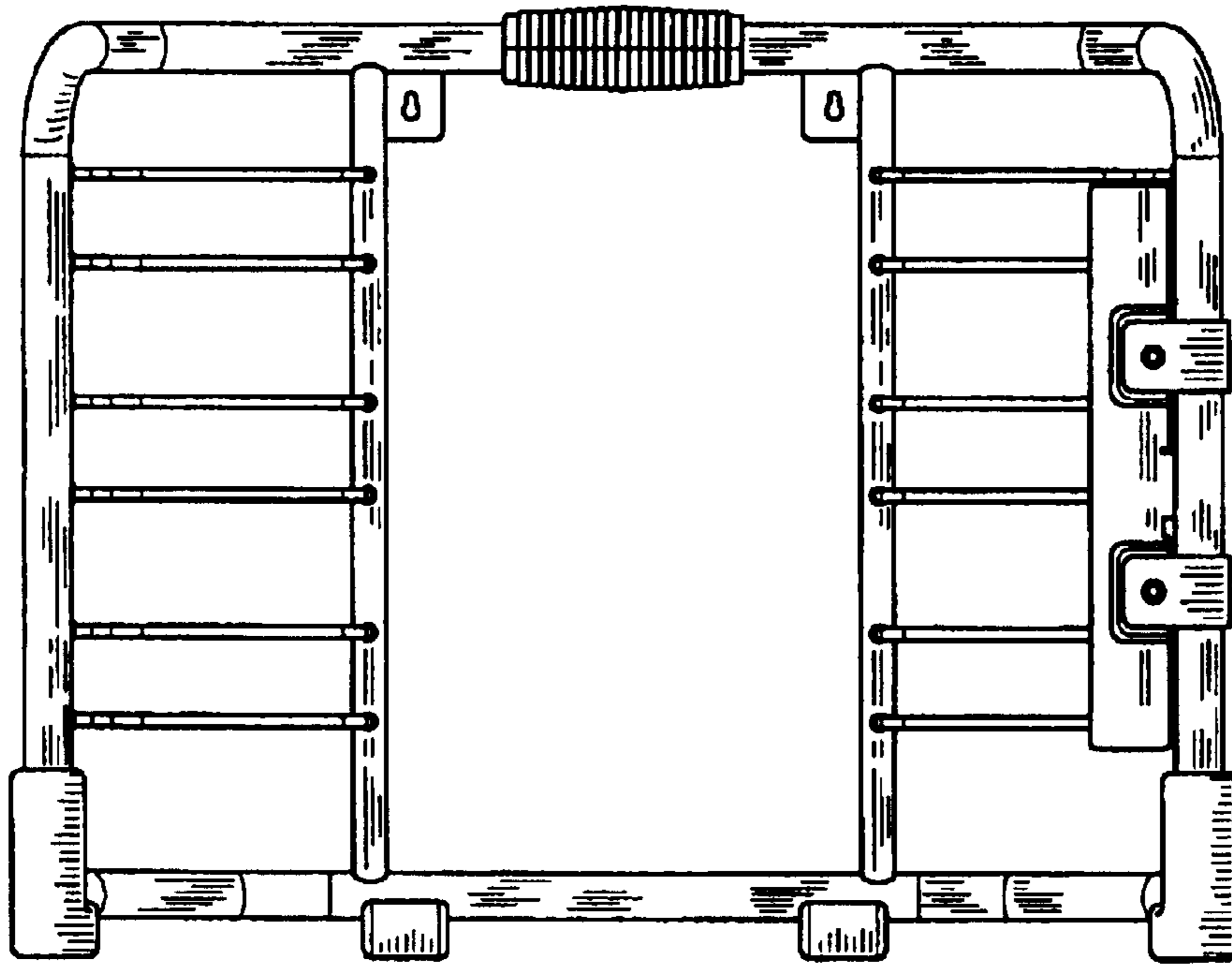


FIG. 10

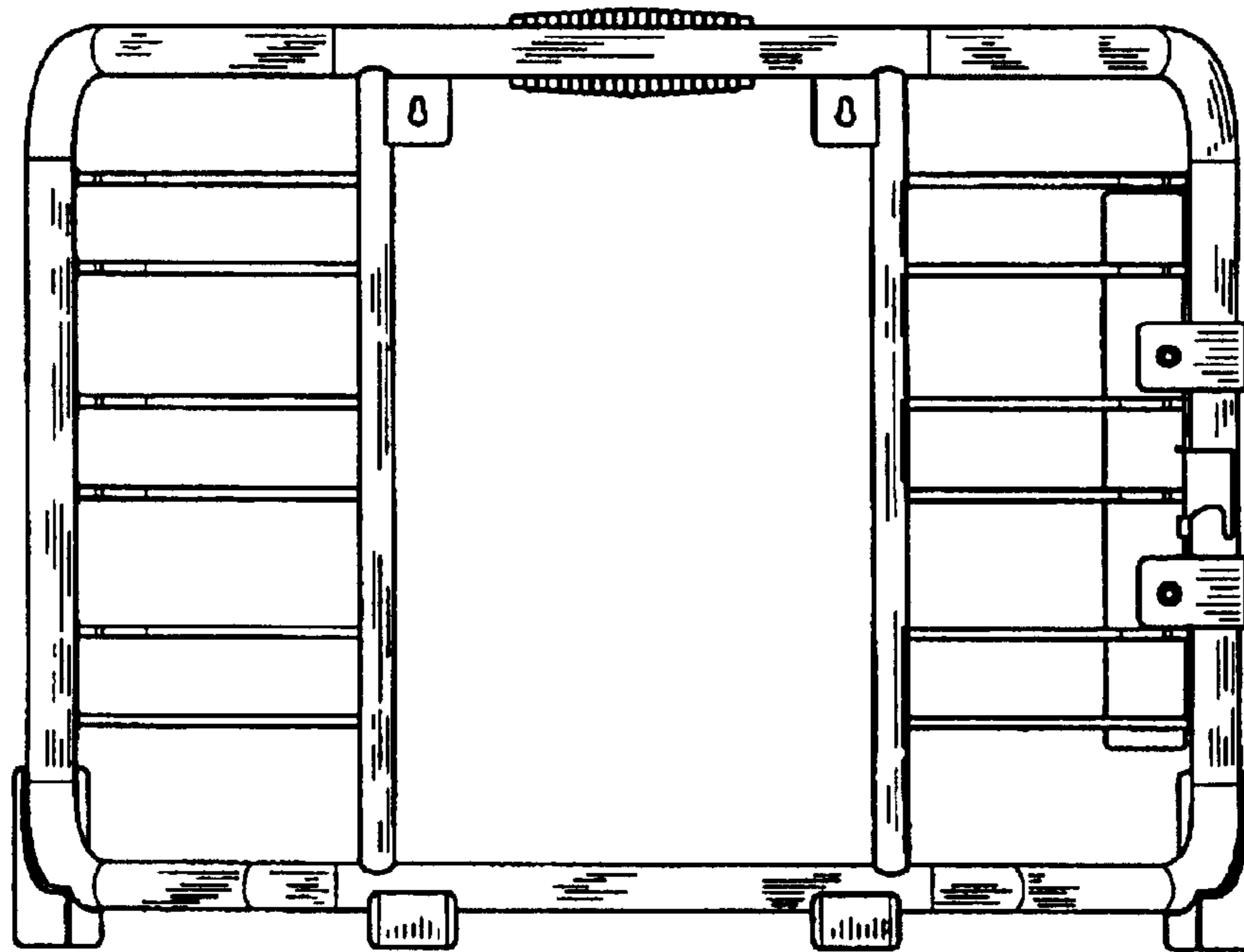


FIG. 11

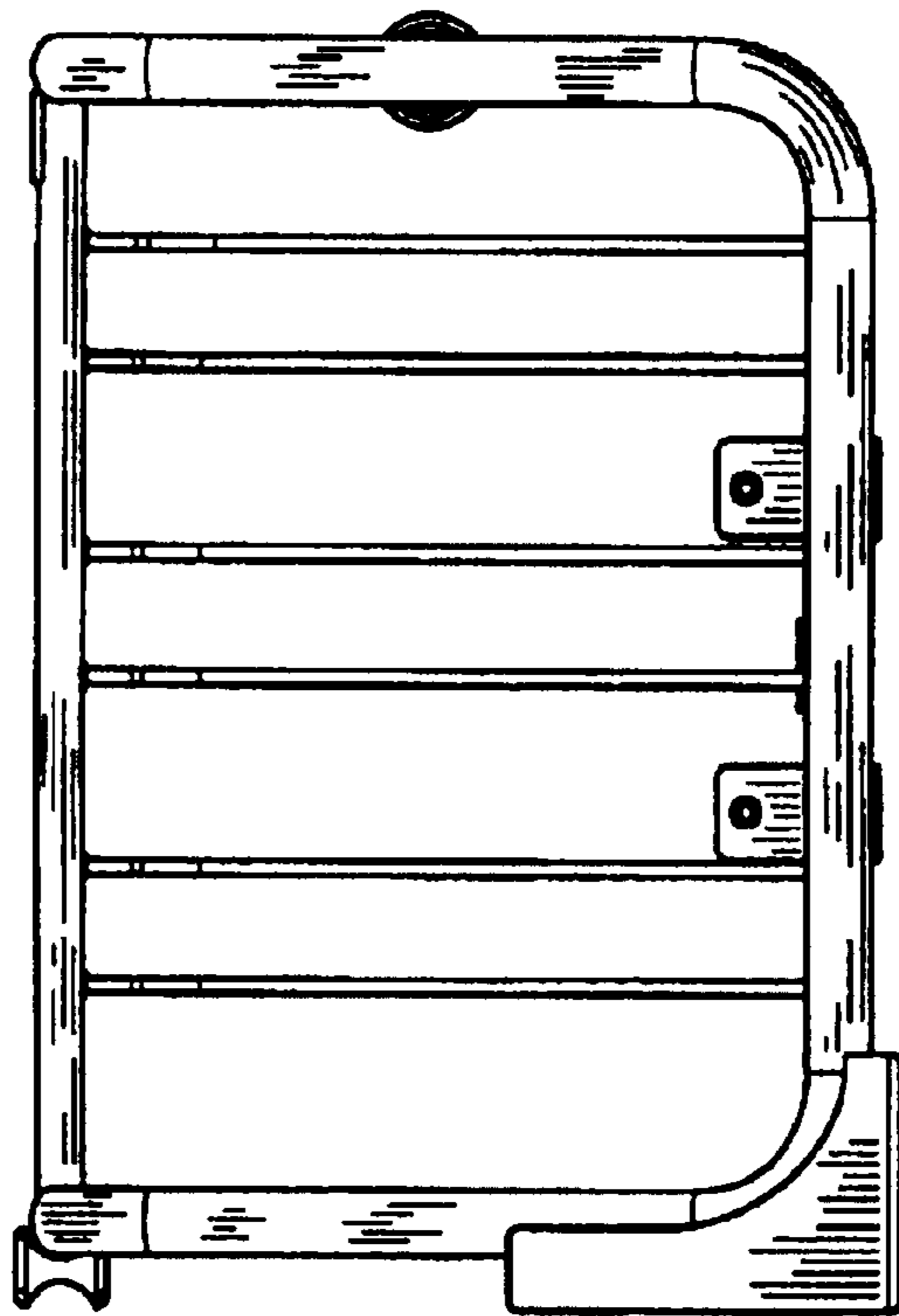


FIG. 12

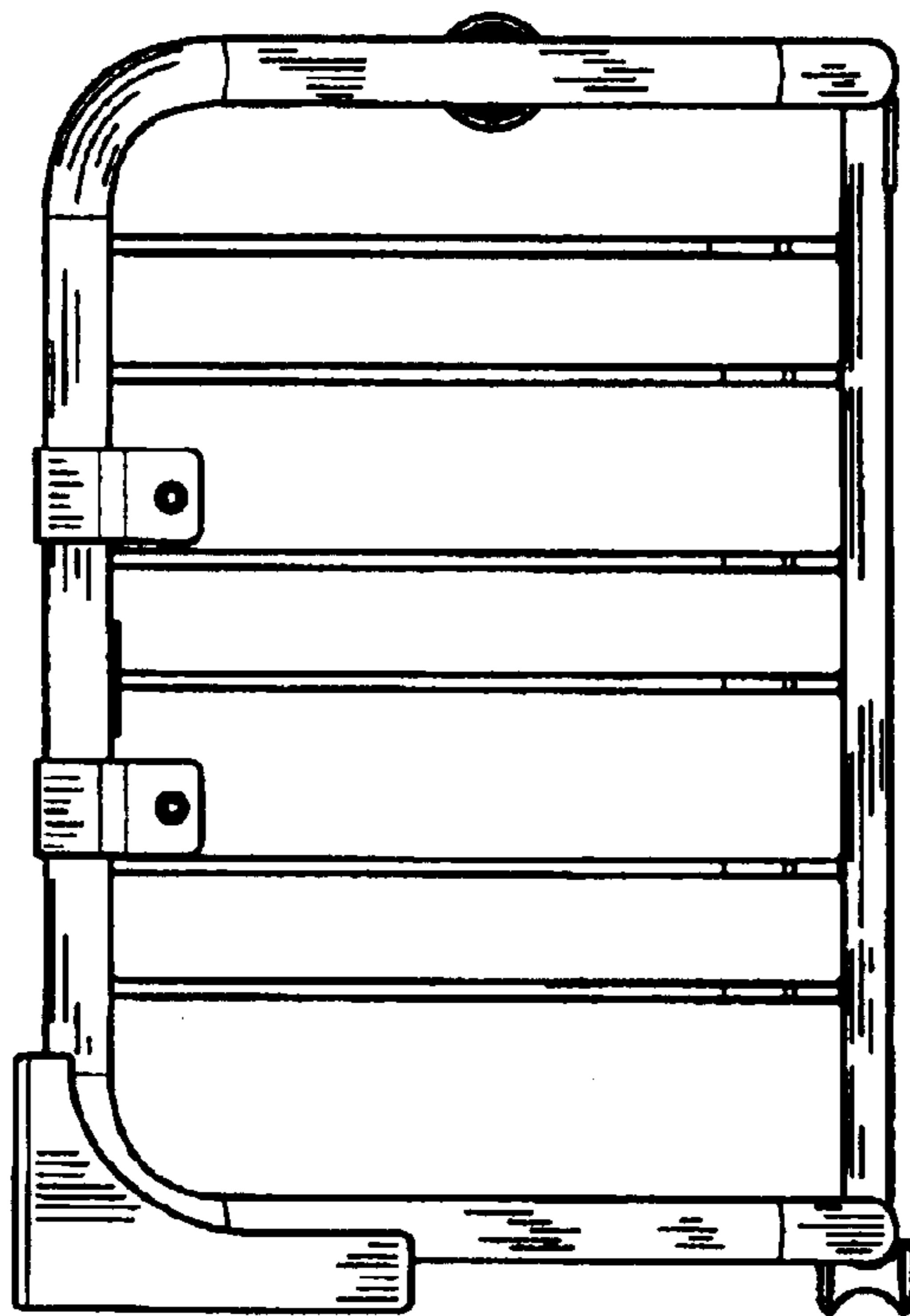


FIG. 13

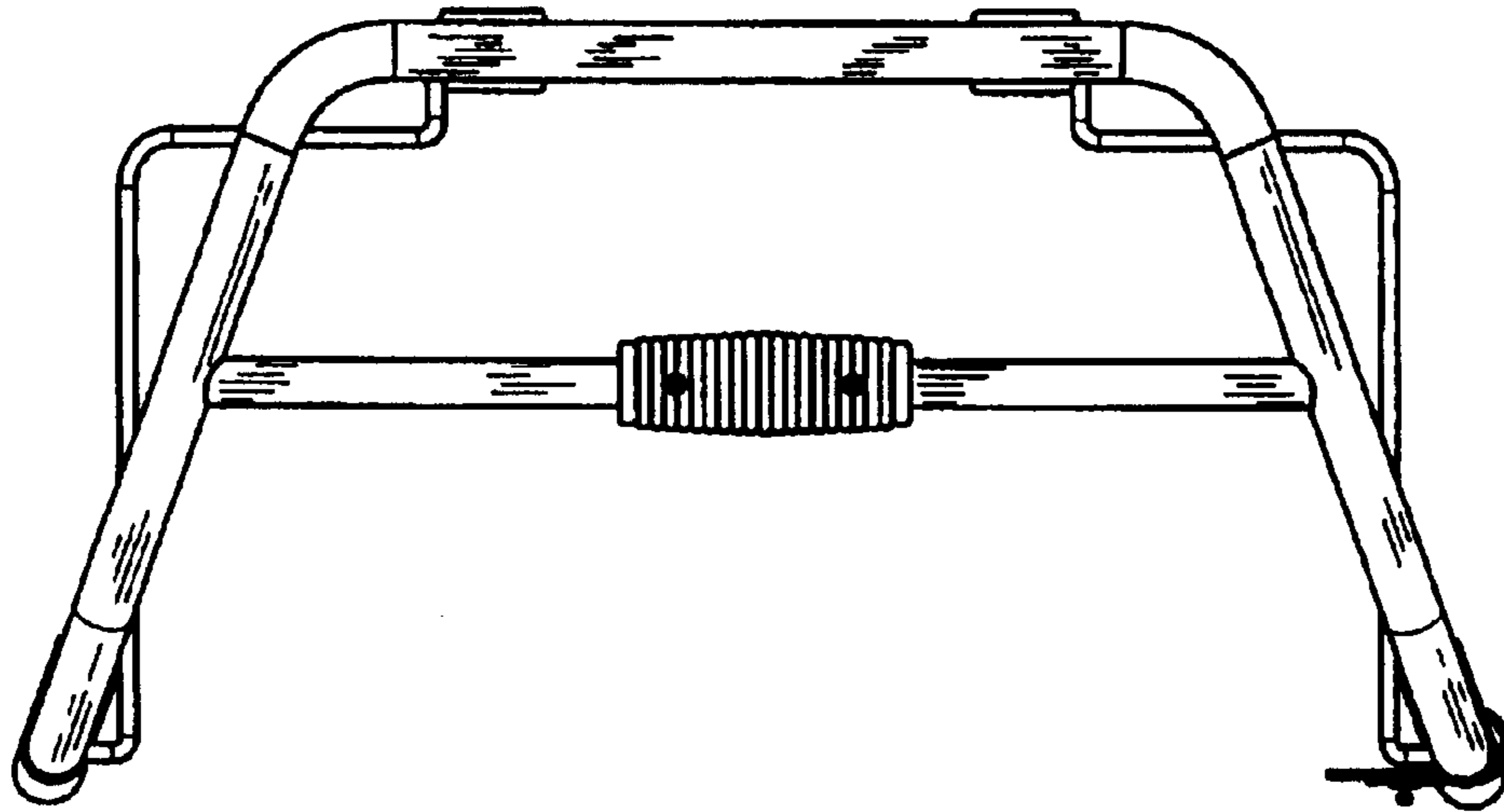


FIG. 14

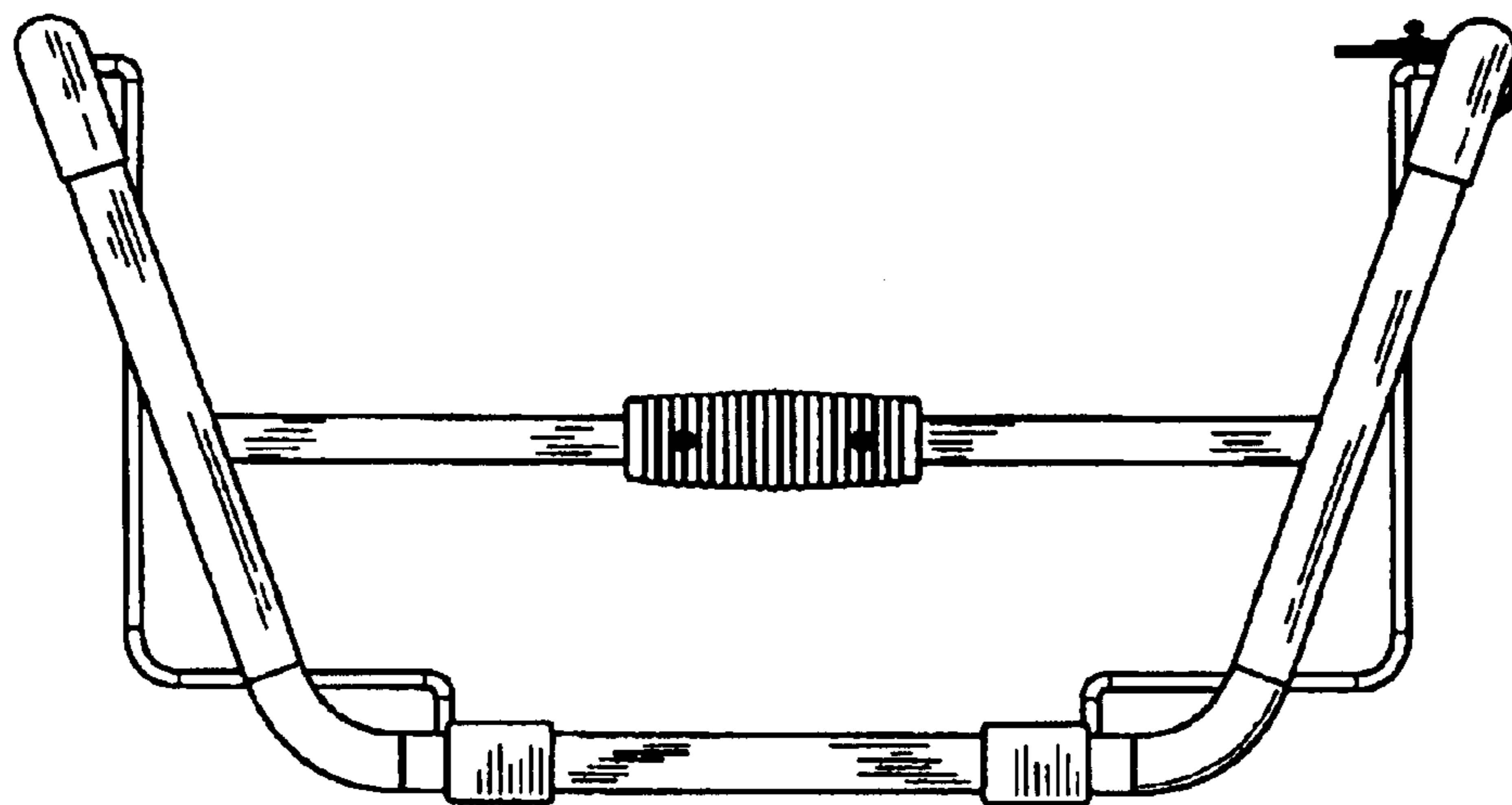


FIG. 15