

US00D528794S

(12) **United States Design Patent** (10) **Patent No.:** **US D528,794 S**  
**Lanham et al.** (45) **Date of Patent:** **\*\* Sep. 26, 2006**

(54) **JEWELRY BOX**

D493,107 S \* 7/2004 Bergne ..... D9/432  
D505,546 S \* 5/2005 Lau ..... D3/273

(75) Inventors: **Adria Lanham**, Williamsville, NY  
(US); **Reginald Gilbert Martin, Jr.**,  
Clearwater, FL (US)

\* cited by examiner

*Primary Examiner*—Philip S. Hyder  
*Assistant Examiner*—RoseLynne (Ulm) Cody  
(74) *Attorney, Agent, or Firm*—Michael J. Striker

(73) Assignee: **Bufkor, Inc.**, Clearwater, FL (US)

(\*\*) Term: **14 Years**

(57) **CLAIM**

(21) Appl. No.: **29/226,428**

The ornamental design for a jewelry box, as shown and described.

(22) Filed: **Mar. 29, 2005**

**DESCRIPTION**

(51) **LOC (8) Cl.** ..... **03-01**

(52) **U.S. Cl.** ..... **D3/294; D3/903; D9/432**

(58) **Field of Classification Search** ..... D3/201,  
D3/203.1–203.2, 273–274, 280, 294, 901,  
D3/903; D9/423, 426, 430, 432; D28/78,  
D28/83; 206/823

See application file for complete search history.

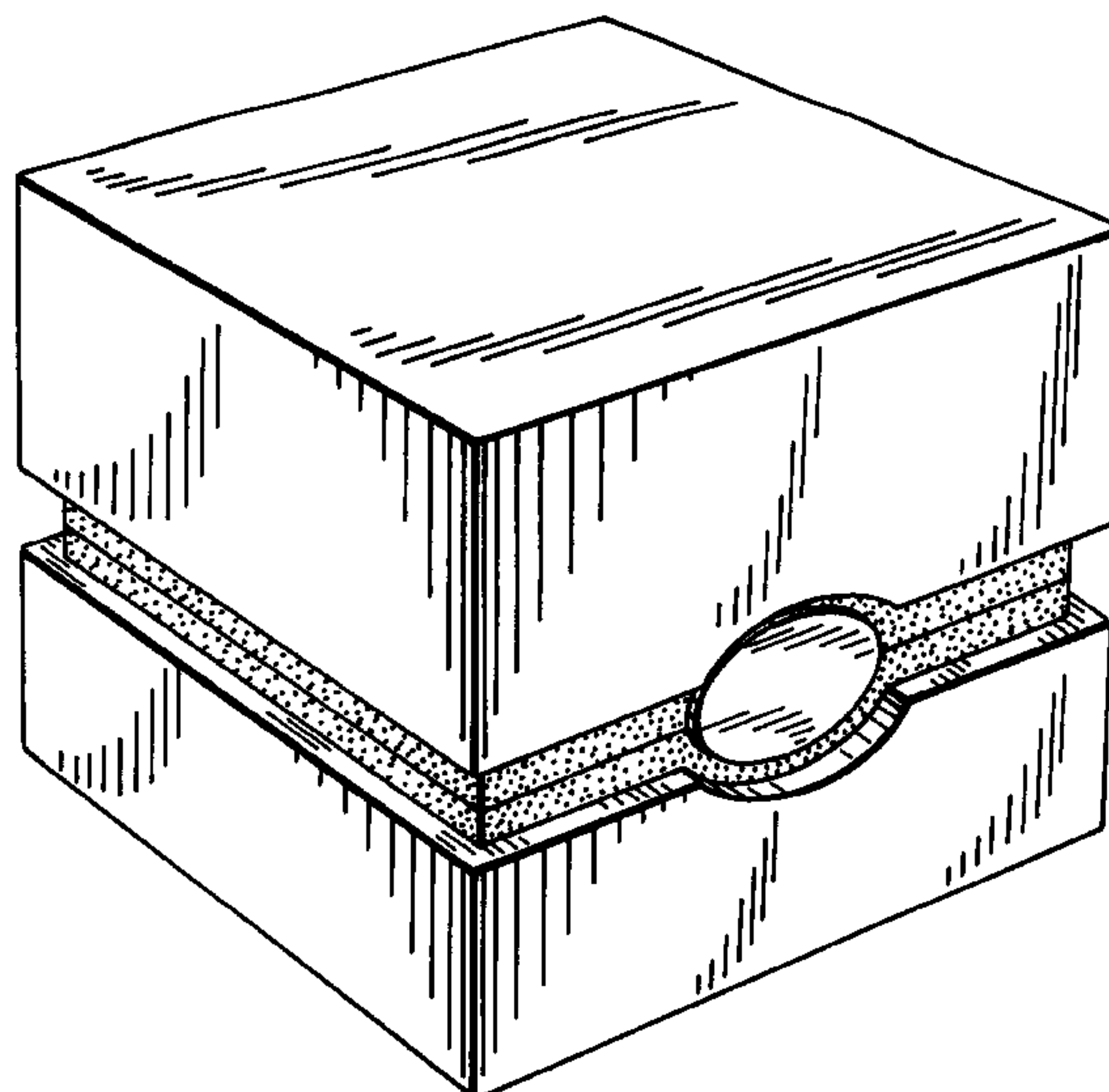
FIG. 1 is a front perspective view of a jewelry box showing my new design;  
FIG. 2 is a front view thereof;  
FIG. 3 is a side view thereof, which is a mirror image of the opposite side thereof;  
FIG. 4 is a rear view thereof;  
FIG. 5 is a front perspective view of a first alternate embodiment of our new design;  
FIG. 6 is a front view thereof;  
FIG. 7 is a side view thereof which is a mirror image of the opposite side thereof;  
FIG. 8 is a rear view thereof;  
FIG. 9 is a front perspective view of a second alternate embodiment of our new design;  
FIG. 10 is a front view thereof;  
FIG. 11 is a side view thereof which is a mirror image of the opposite side thereof;  
FIG. 12 is a rear view thereof;  
FIG. 13 is a front perspective view of a third alternate embodiment of our new design;  
FIG. 14 is a front view thereof;  
FIG. 15 is a side view thereof which is a mirror image of the opposite side thereof; and,  
FIG. 16 is a rear view thereof.

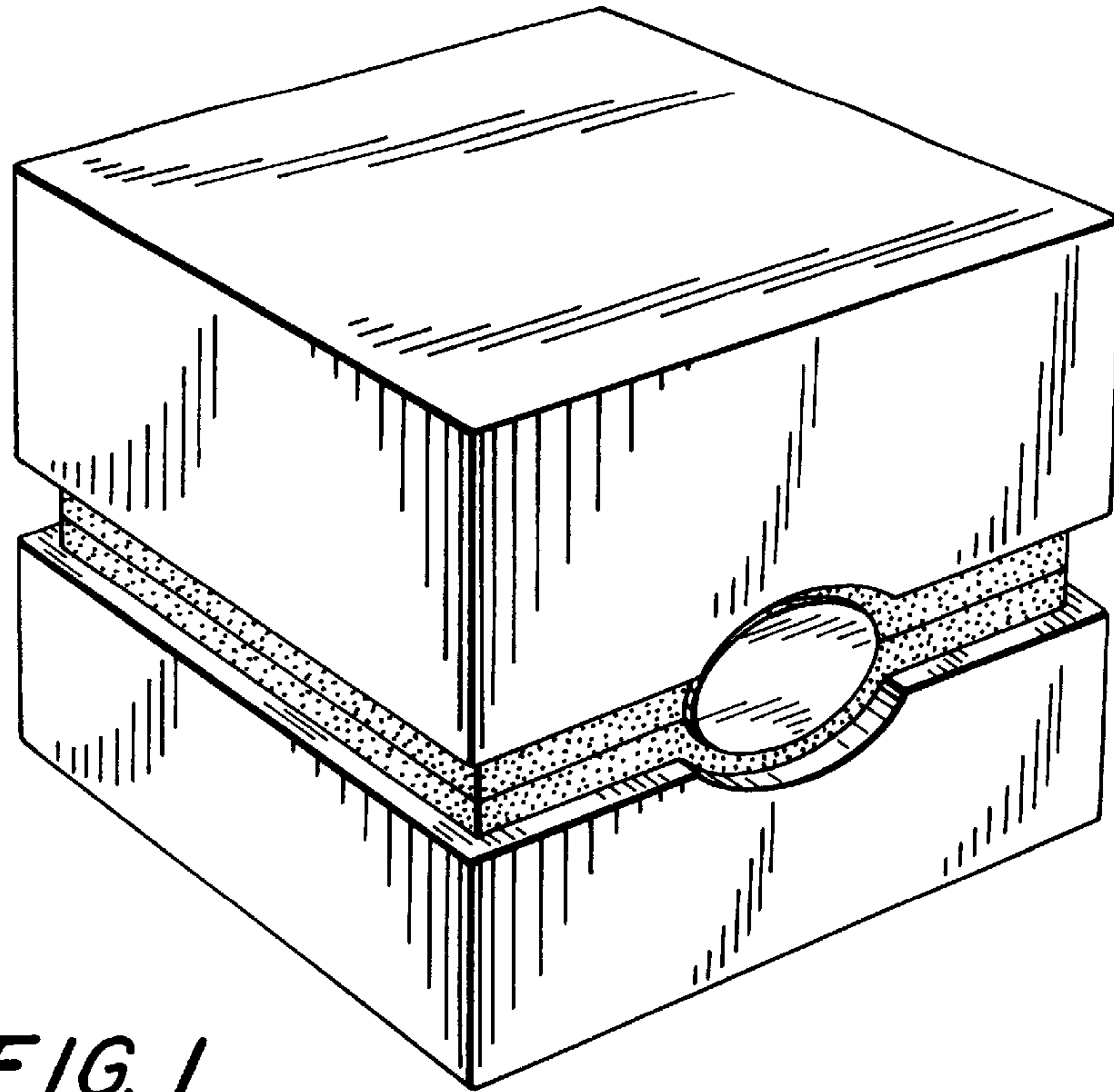
(56) **References Cited**

**U.S. PATENT DOCUMENTS**

D3,894 S \* 3/1870 Jerauld et al. .... D9/432  
D154,978 S \* 8/1949 Baud  
D178,896 S \* 10/1956 Meyer ..... D3/294  
D206,963 S \* 2/1967 Beck ..... D9/423  
D254,720 S \* 4/1980 Schuander ..... D9/423  
D258,938 S \* 4/1981 Spitzer ..... D9/614  
D306,973 S \* 4/1990 Kaplan ..... D9/423  
D317,528 S \* 6/1991 Harvey ..... D3/294  
D323,294 S \* 1/1992 Williams ..... D9/432  
D327,423 S \* 6/1992 Turner-Adams ..... D9/655  
D360,461 S \* 7/1995 Gillespie ..... D23/366  
D387,982 S \* 12/1997 Kaplan ..... D9/423  
D396,004 S \* 7/1998 Srinual ..... D9/423  
D408,145 S \* 4/1999 Au ..... D3/294  
D414,692 S \* 10/1999 Srinual ..... D9/423  
D417,843 S \* 12/1999 Srinual ..... D9/423  
D478,513 S \* 8/2003 Canamasas Puigbo ..... D9/529

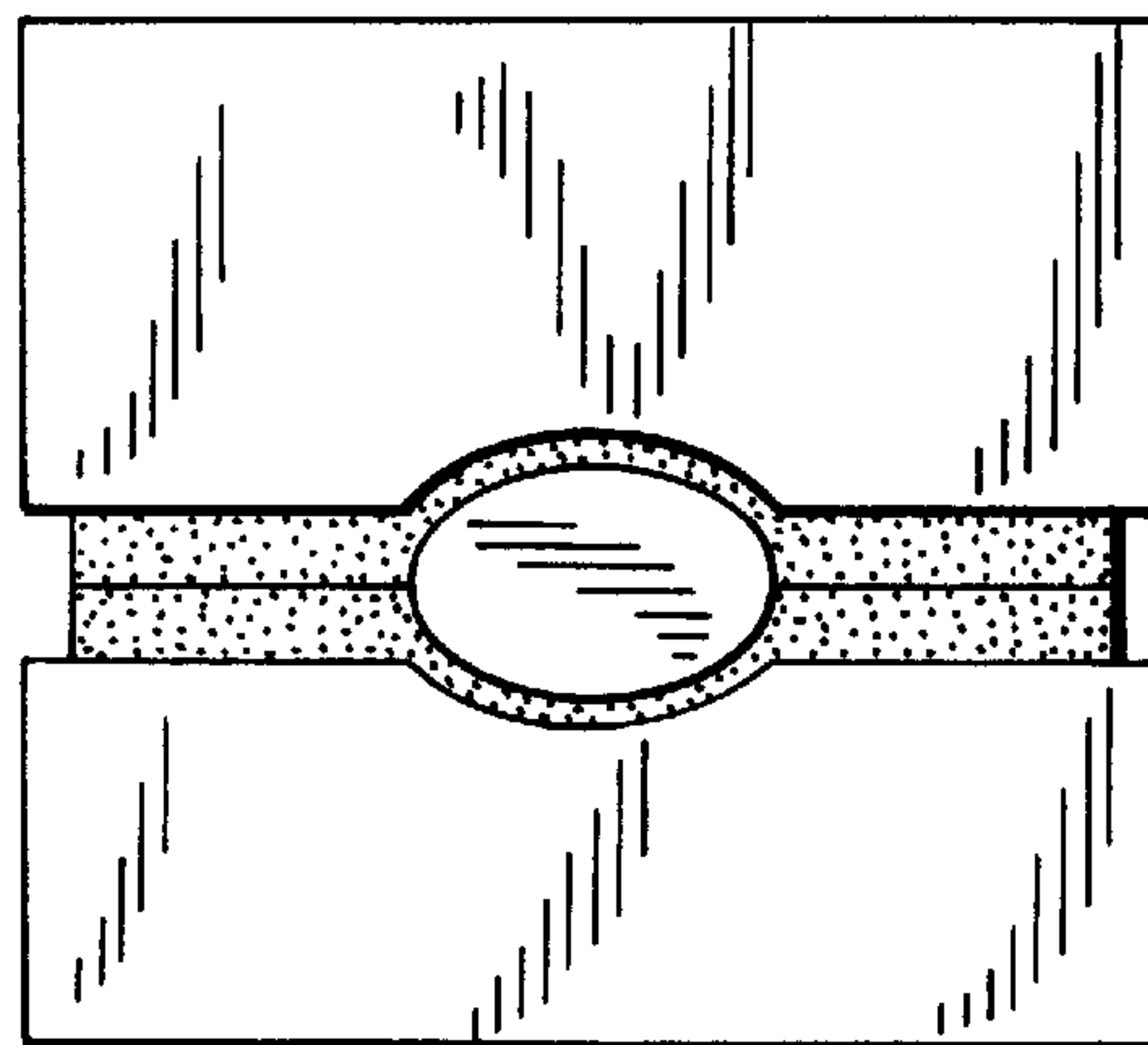
**1 Claim, 8 Drawing Sheets**



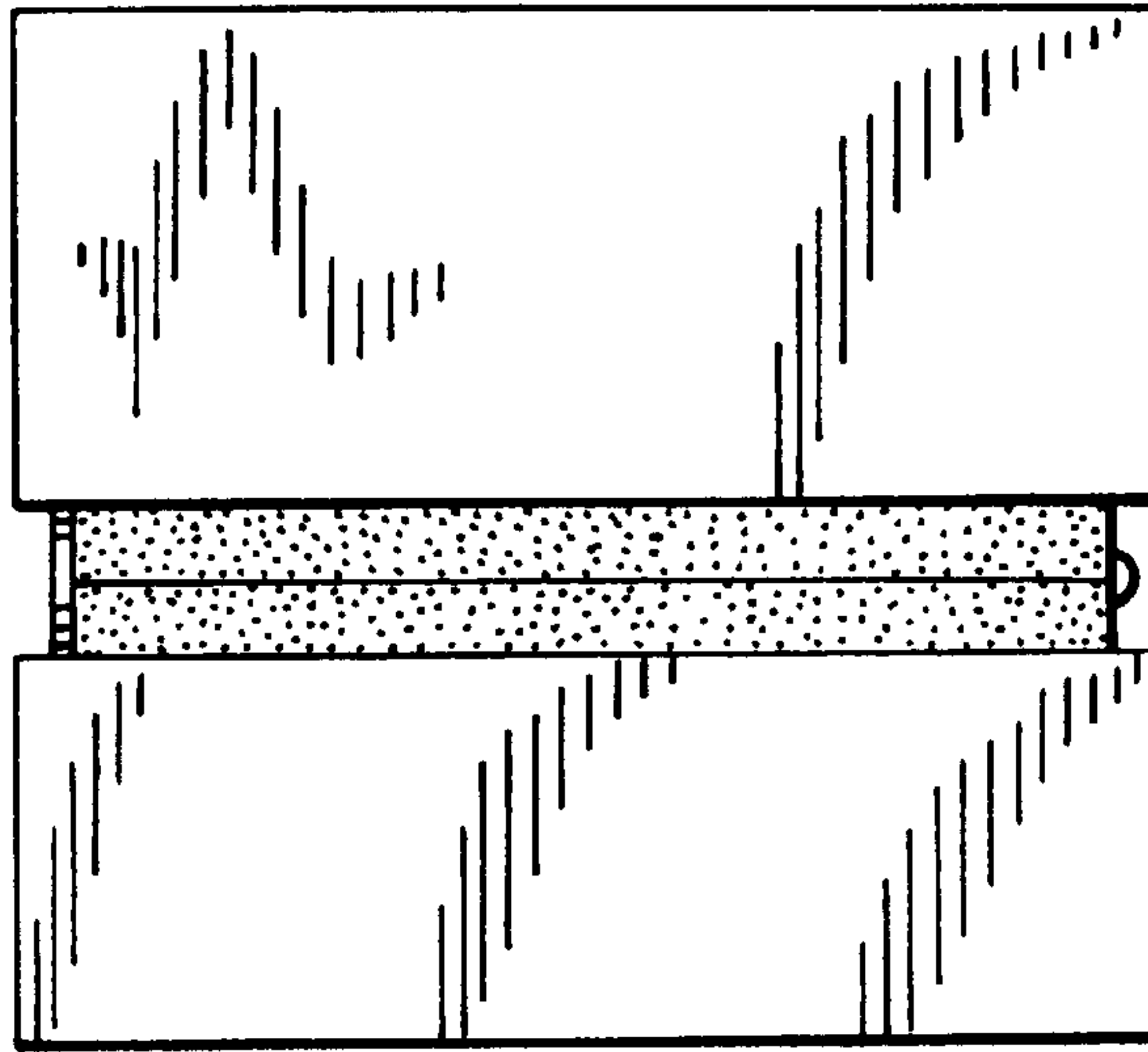


*FIG. 1*

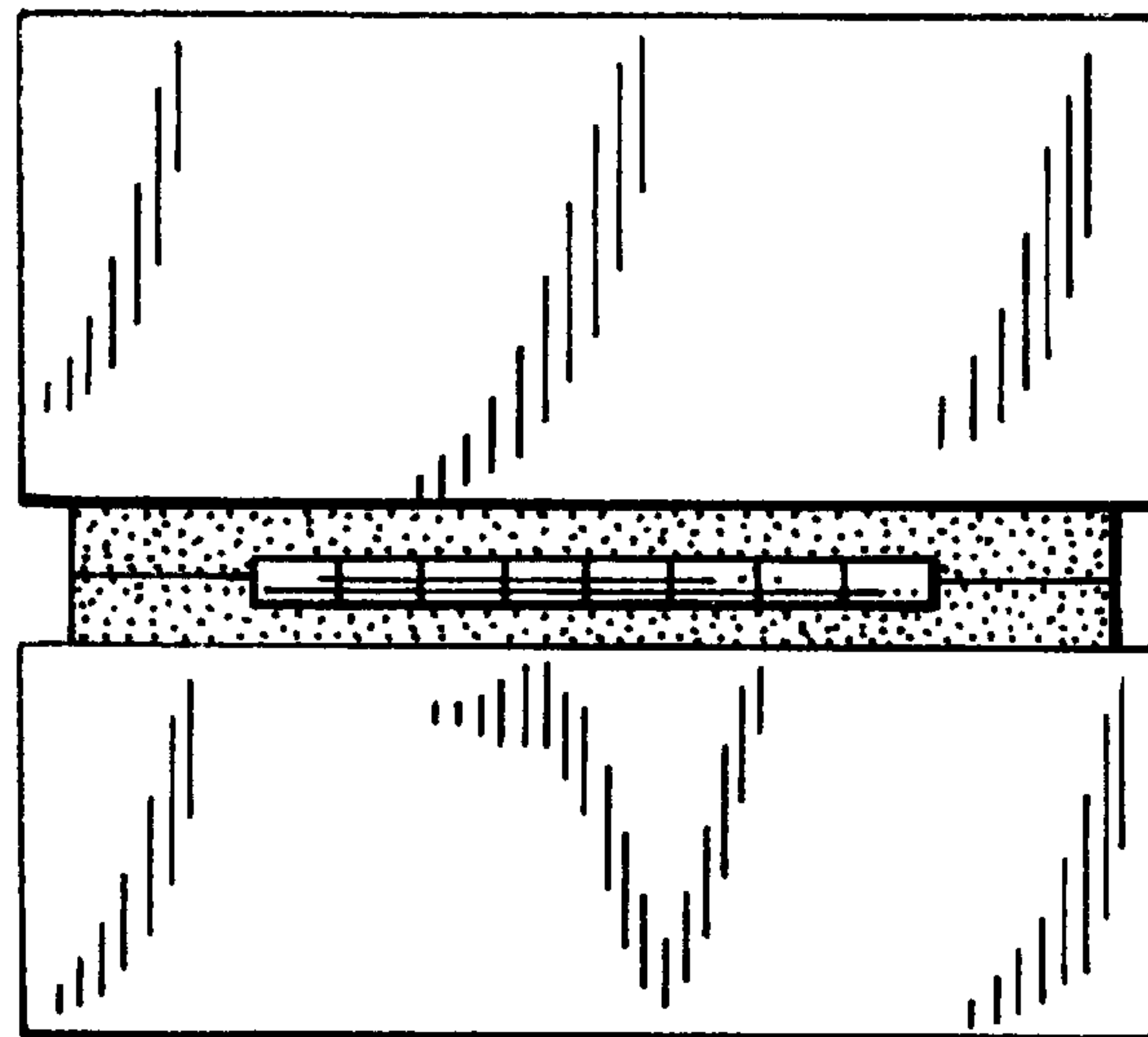
*FIG. 2*

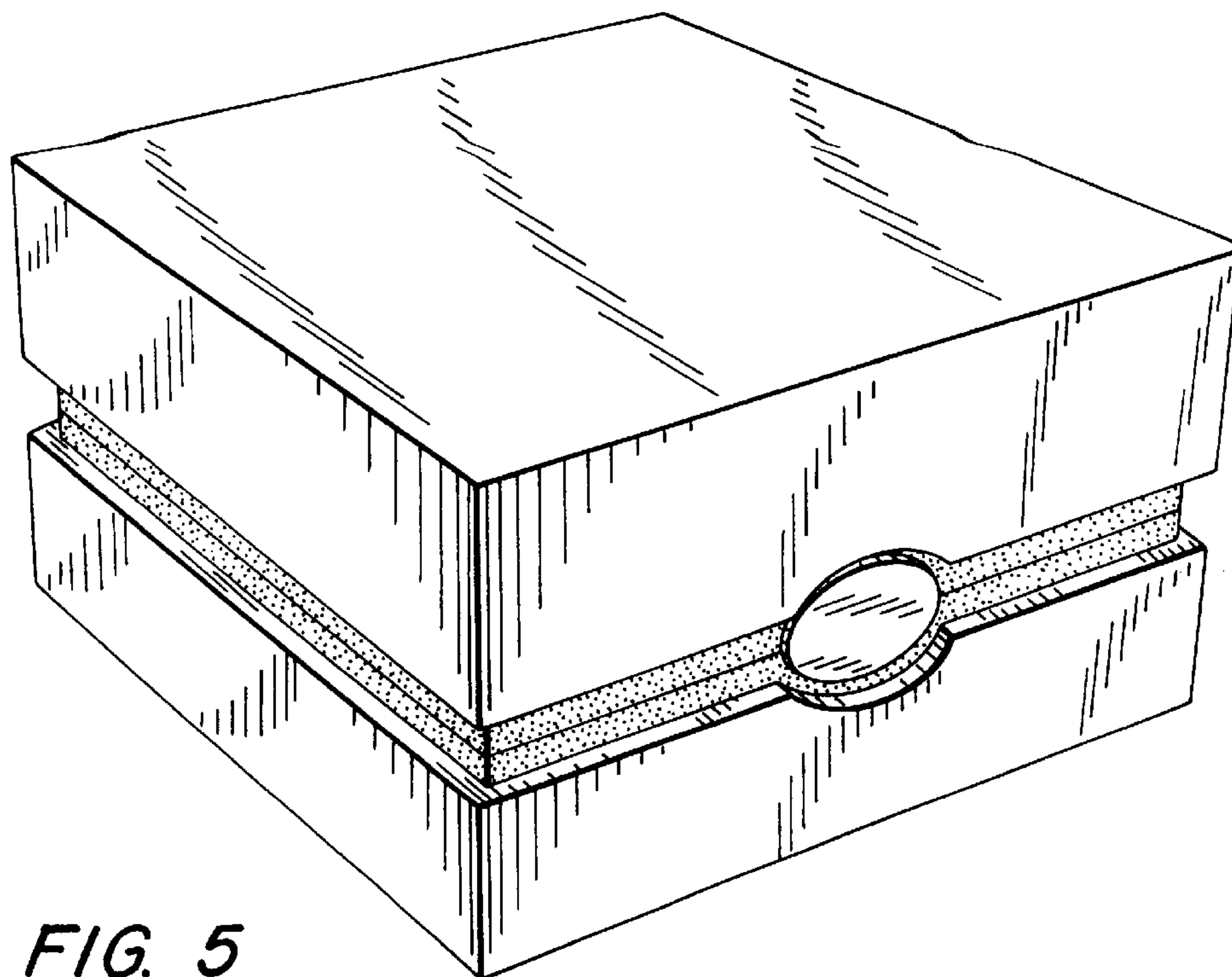


*FIG. 3*



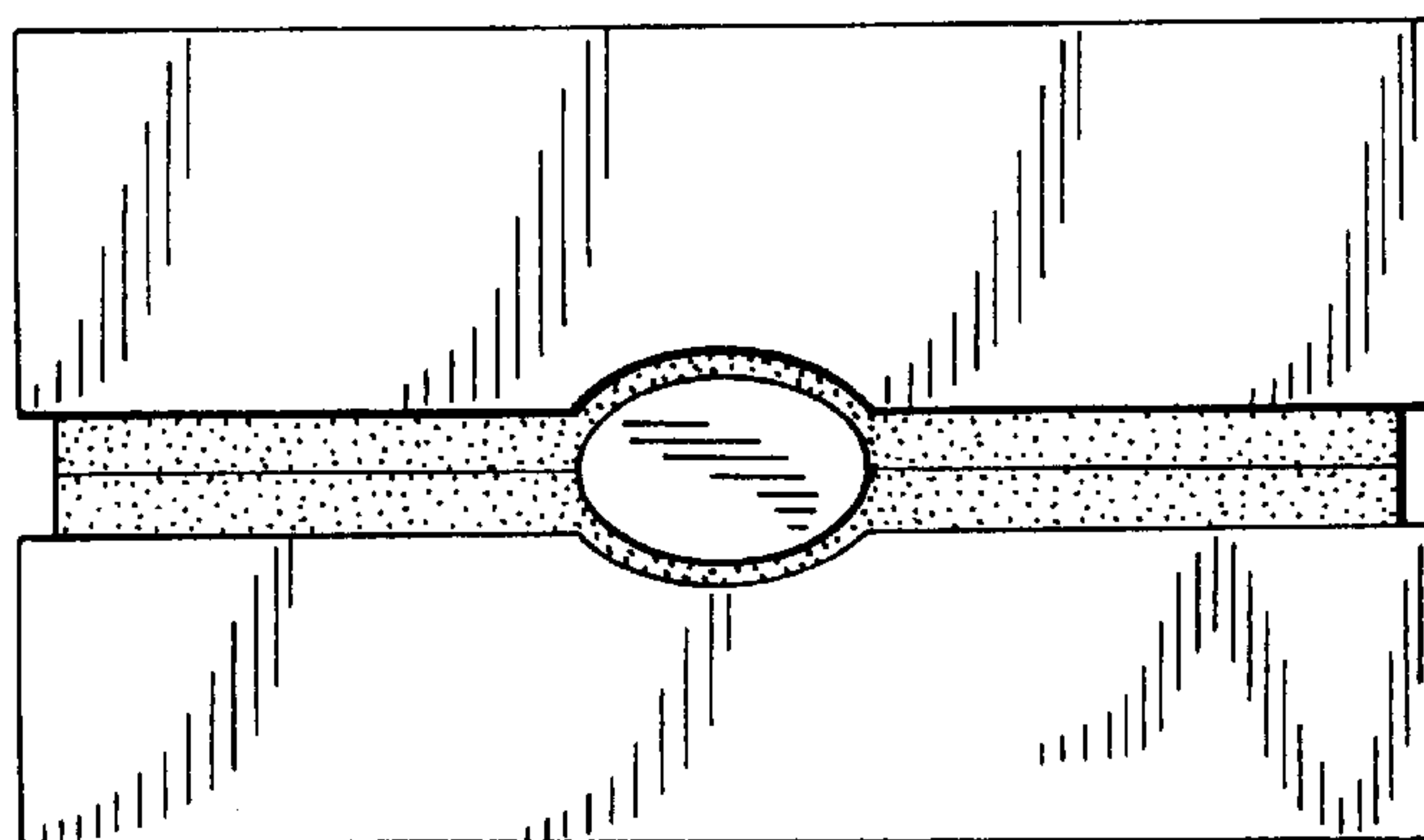
*FIG. 4*



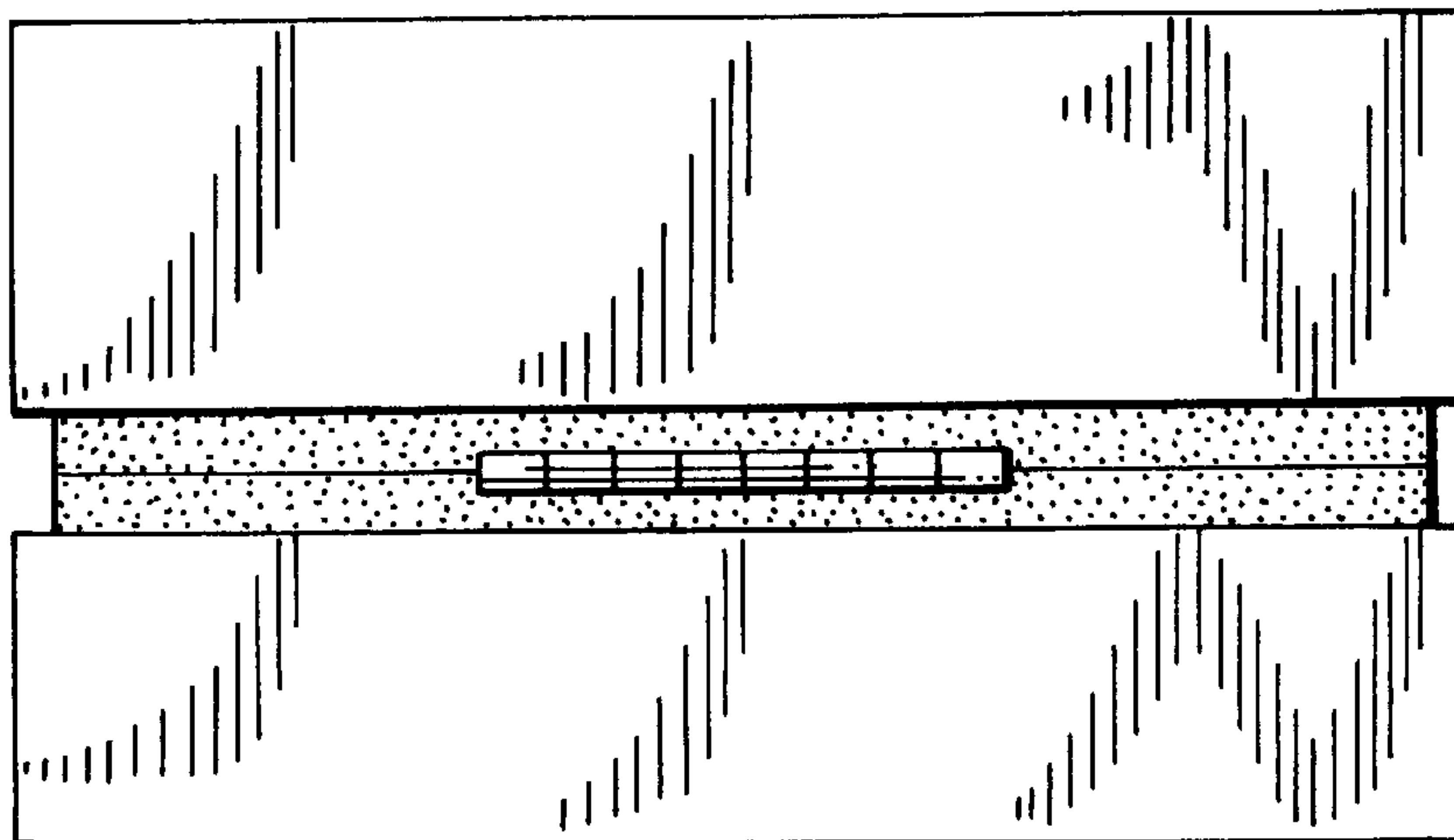
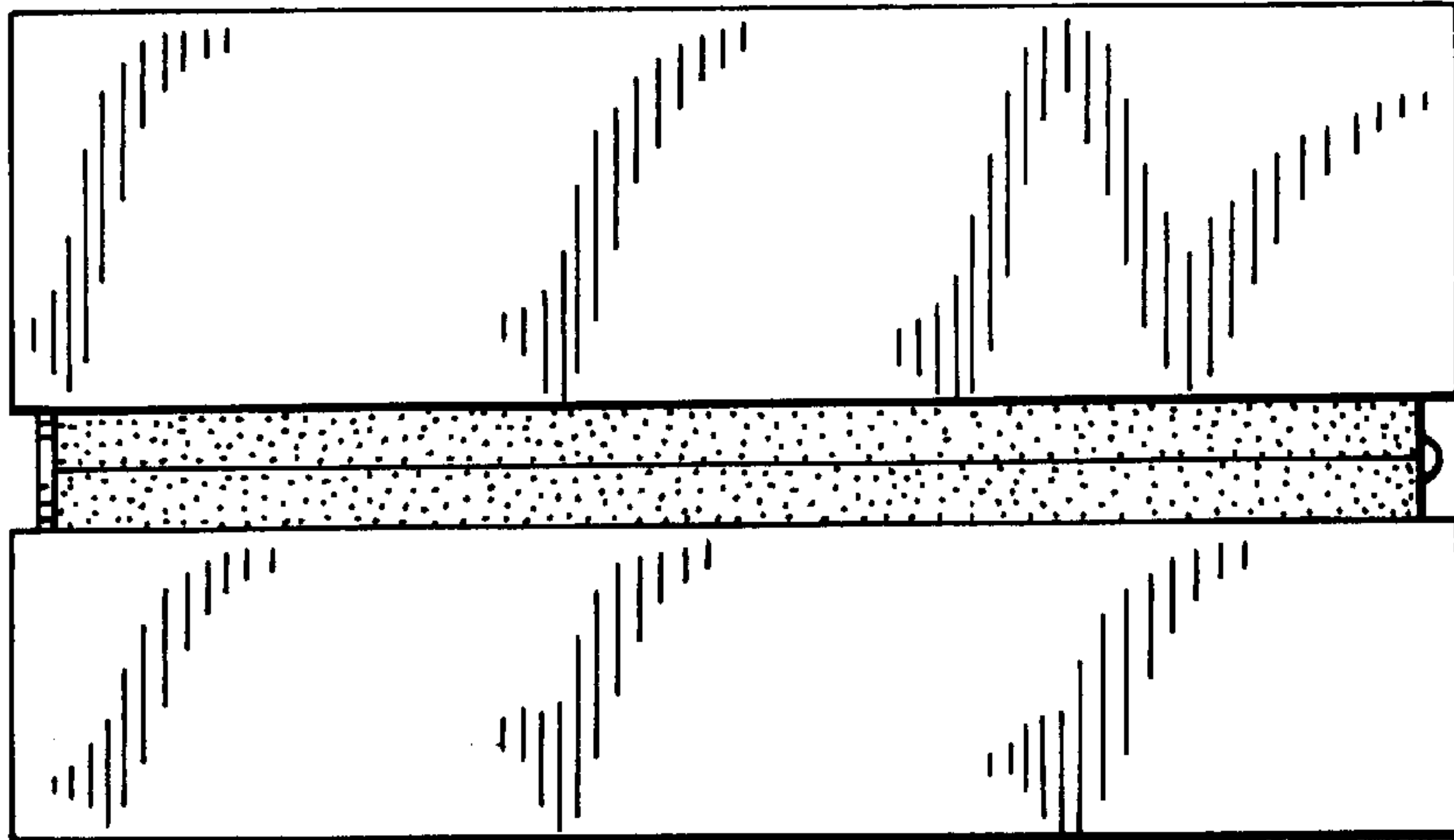


*FIG. 5*

*FIG. 6*



*FIG. 7*



*FIG. 8*



FIG. 9

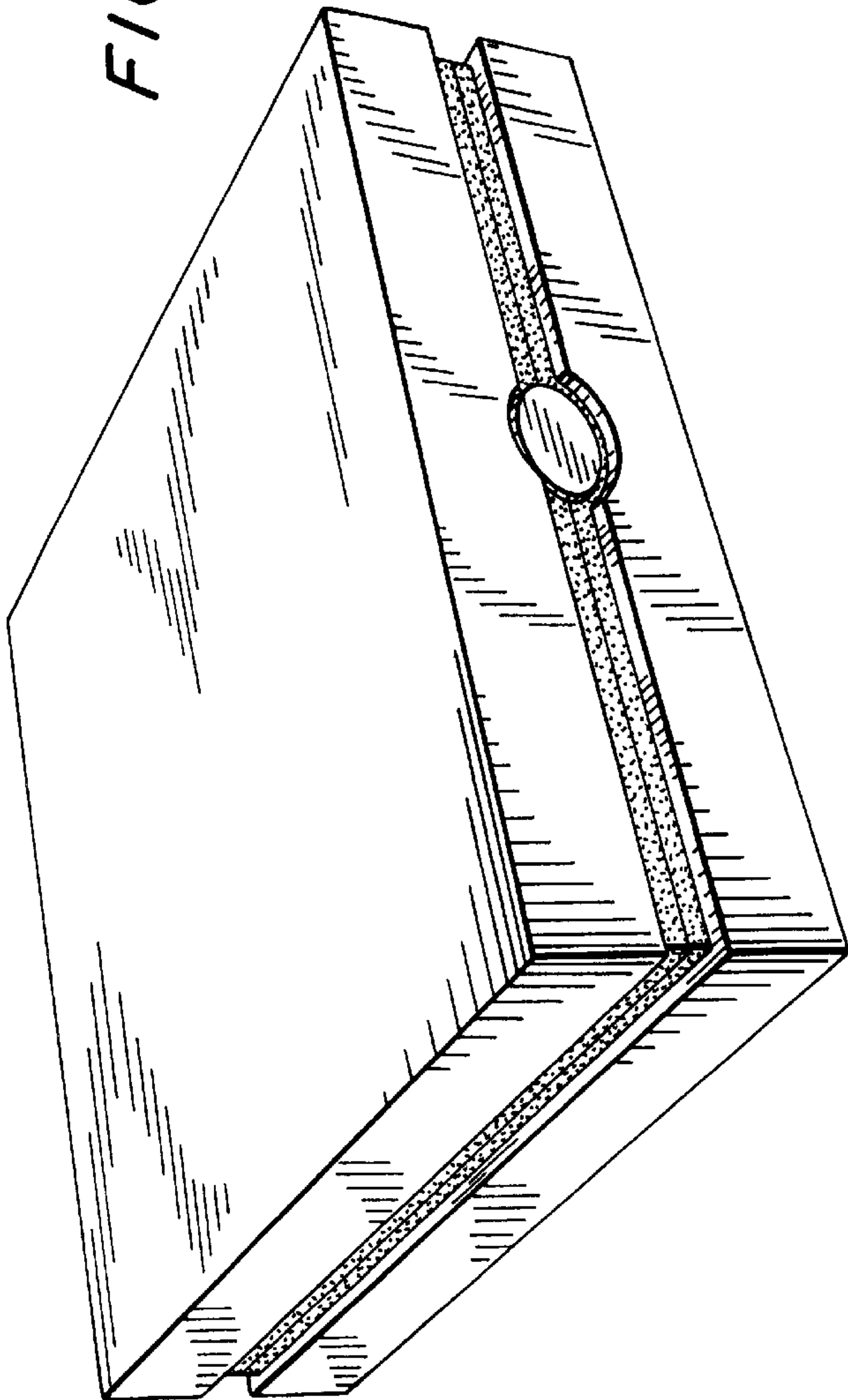
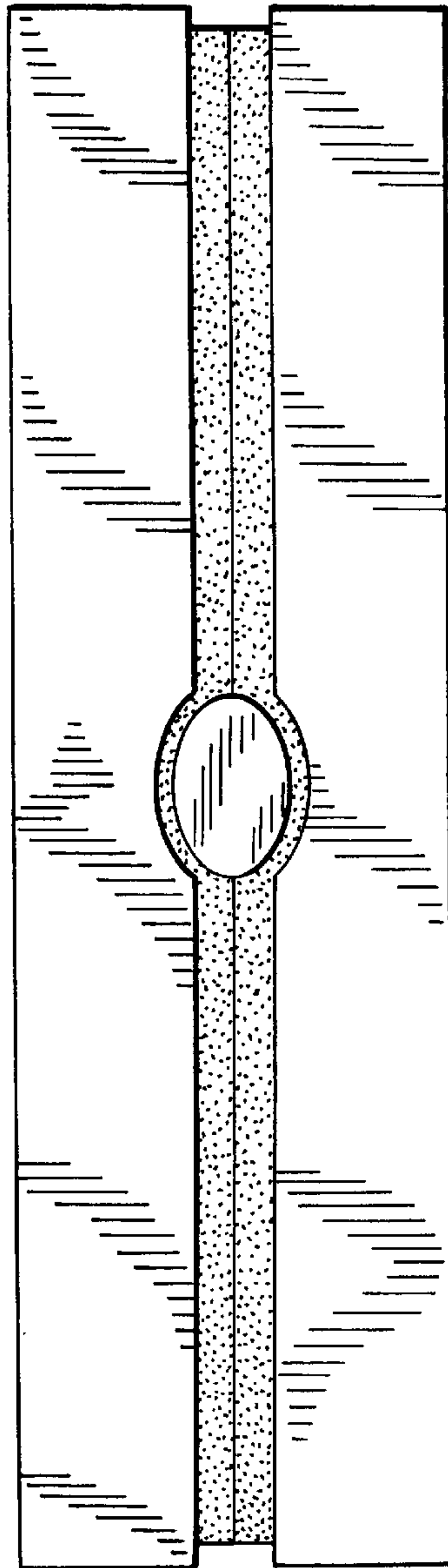


FIG. 10



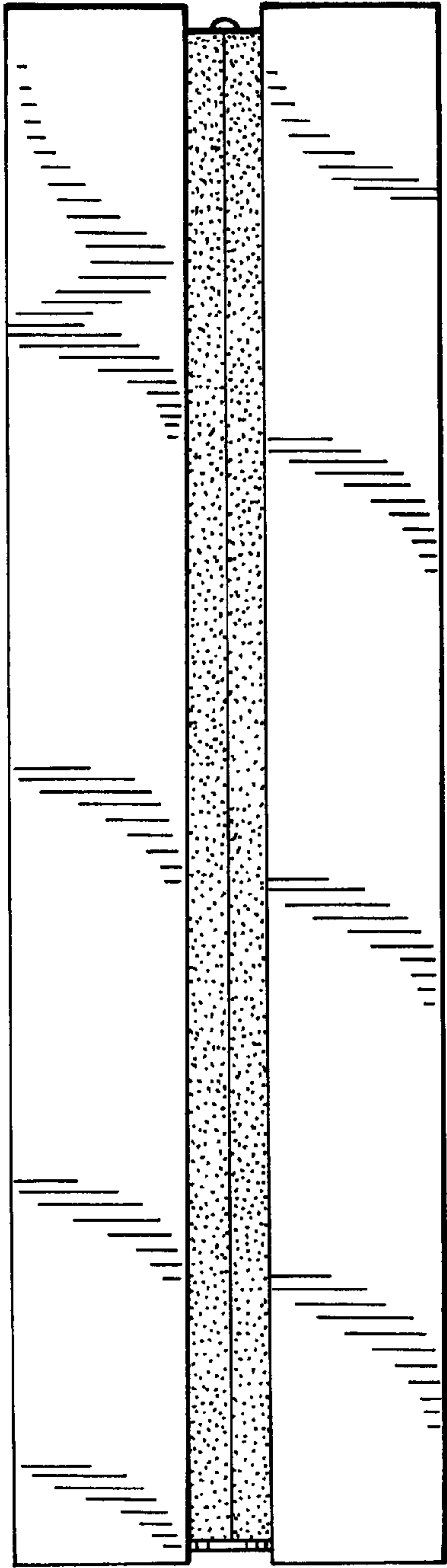


FIG. 11

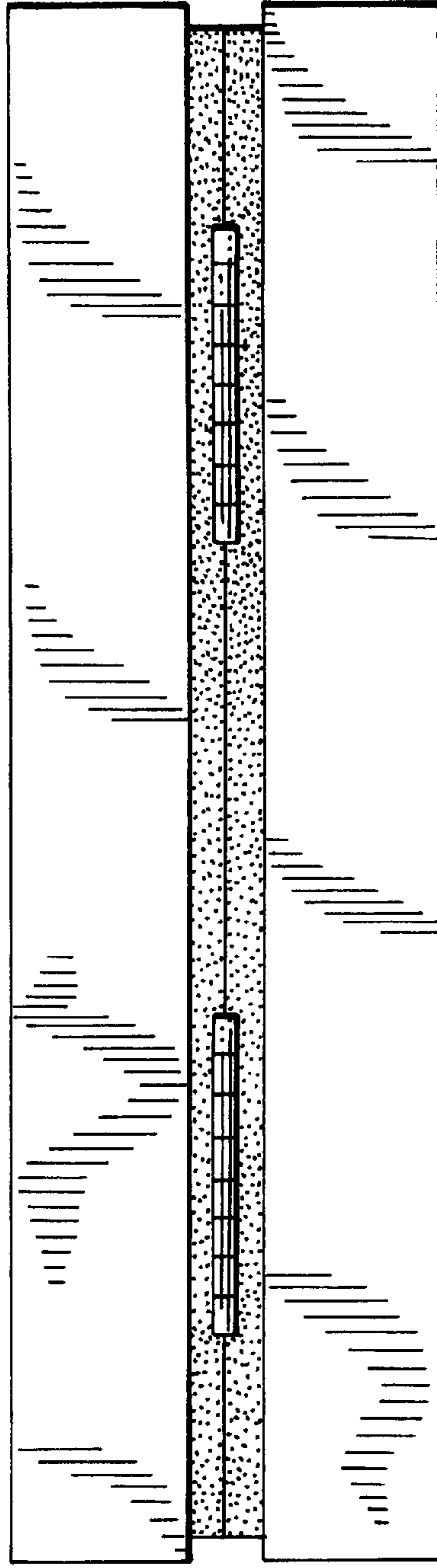


FIG. 12

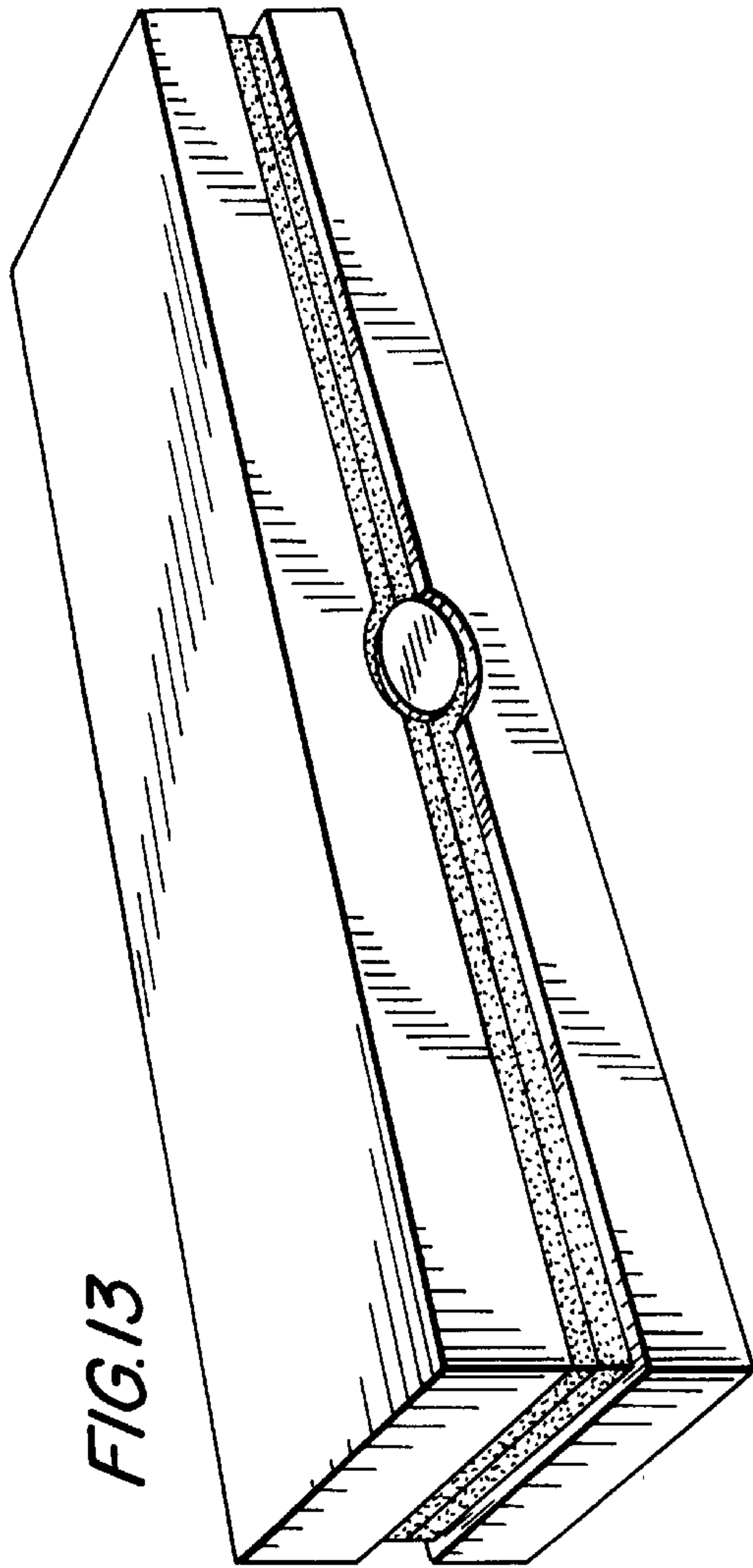
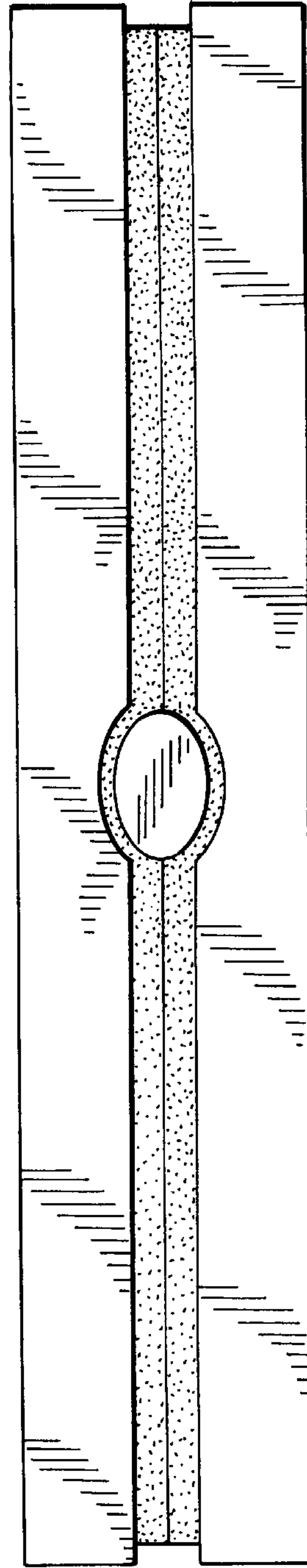


FIG. 14





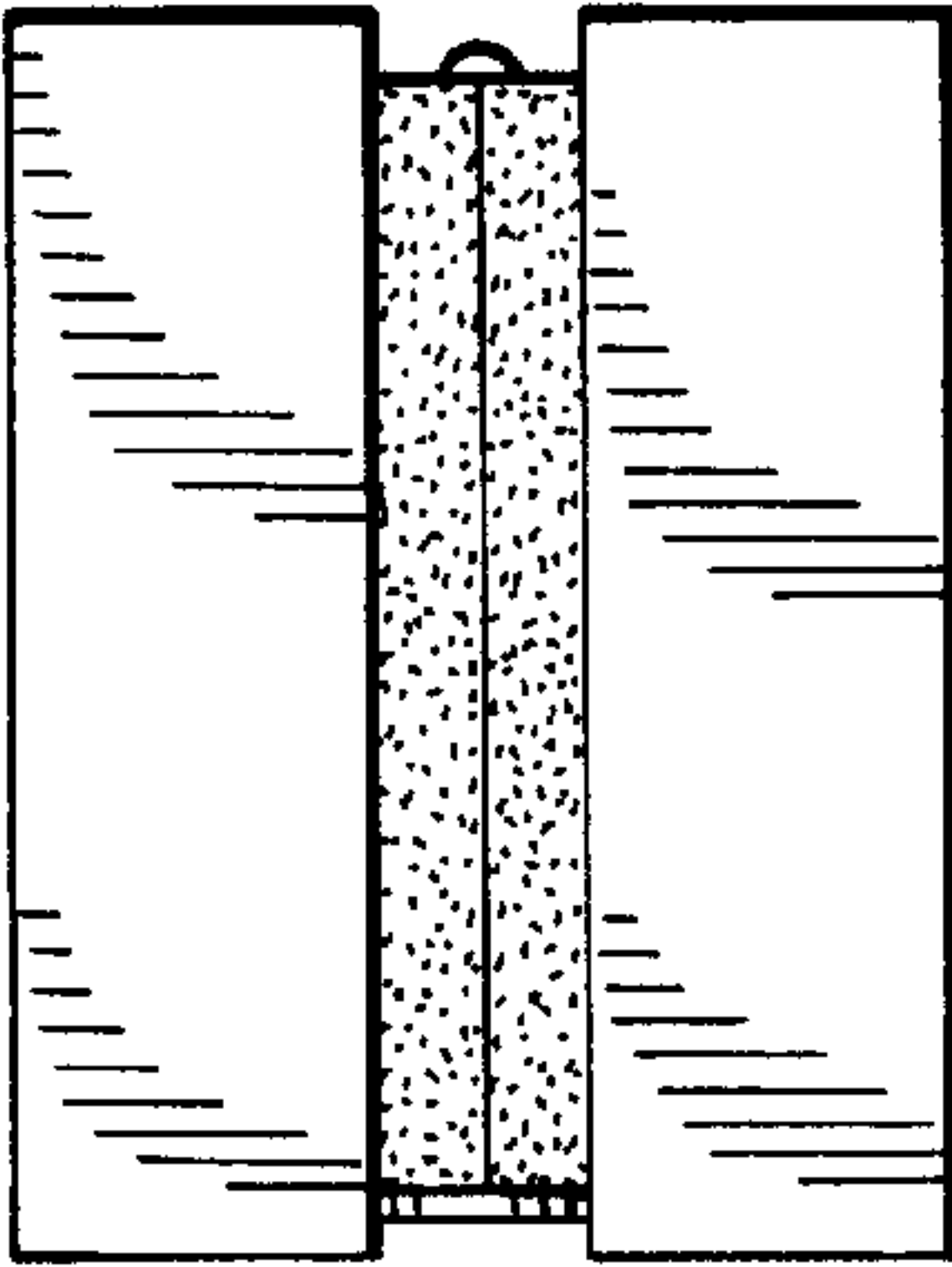


FIG. 15

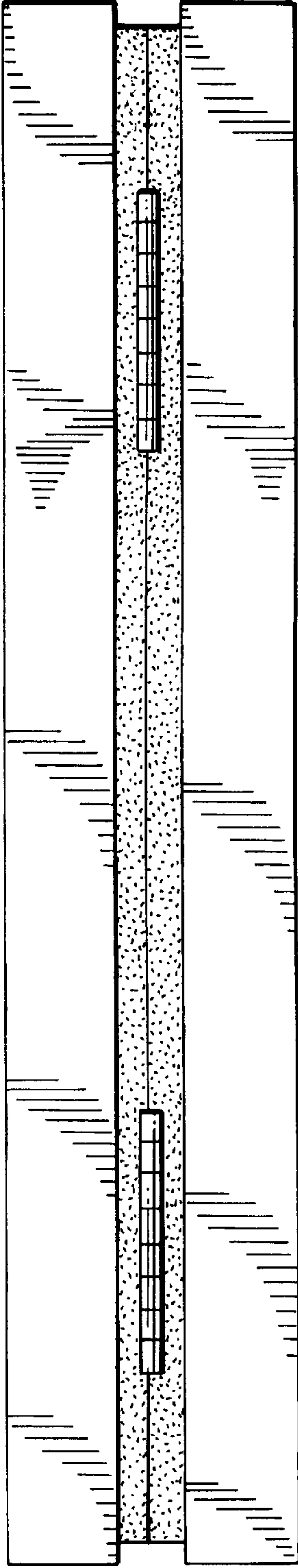


FIG. 16