



US00D528786S

(12) **United States Design Patent**
Parsons

(10) **Patent No.:** **US D528,786 S**

(45) **Date of Patent:** **** Sep. 26, 2006**

(54) **SIDEBREAK PADDLE BATON SCABBARD**

(75) **Inventor:** **Kevin L. Parsons**, Appleton, WI (US)

(73) **Assignee:** **Armament Systems and Procedures, Inc.**, Appleton, WI (US)

(**) **Term:** **14 Years**

(21) **Appl. No.:** **29/235,934**

(22) **Filed:** **Aug. 9, 2005**

(51) **LOC (8) Cl.** **03-01**

(52) **U.S. Cl.** **D3/229**

(58) **Field of Classification Search** D3/229,
D3/215, 221, 228, 220; D22/117-118; 224/250-251,
224/191-193, 253, 674, 914
See application file for complete search history.

(56) **References Cited**

U.S. PATENT DOCUMENTS

D386,299 S * 11/1997 Starrett D3/229
D386,612 S * 11/1997 Starrett D3/229

D405,258 S * 2/1999 Newbould, Jr. D3/229
D450,451 S * 11/2001 Starrett D3/229
D518,633 S * 4/2006 Hestvik D3/229
2004/0188477 A1 * 9/2004 Parsons 224/251

* cited by examiner

Primary Examiner—Catherine R. Oliver

(74) *Attorney, Agent, or Firm*—Welsh & Katz, Ltd.

(57) **CLAIM**

The ornamental design for a sidebreak paddle baton scabbard, as shown and described.

DESCRIPTION

FIG. 1 is a perspective view of the sidebreak paddle baton scabbard design;

FIG. 2 is a top plan view thereof;

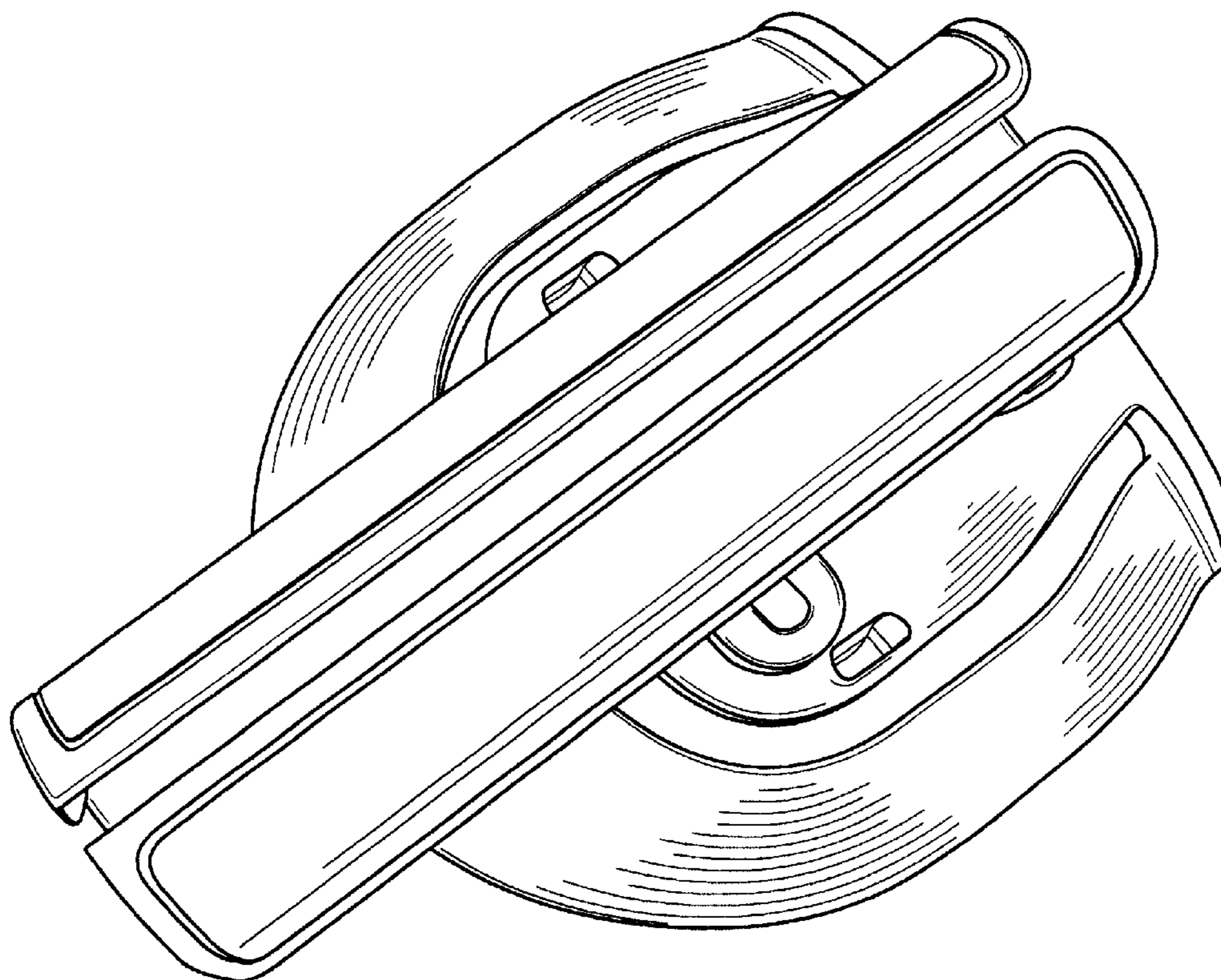
FIG. 3 is a bottom plan view thereof;

FIG. 4 is a left side elevational view thereof, the right side being a mirror image thereof;

FIG. 5 is a front elevational view thereof; and,

FIG. 6 is a rear elevational view thereof.

1 Claim, 4 Drawing Sheets



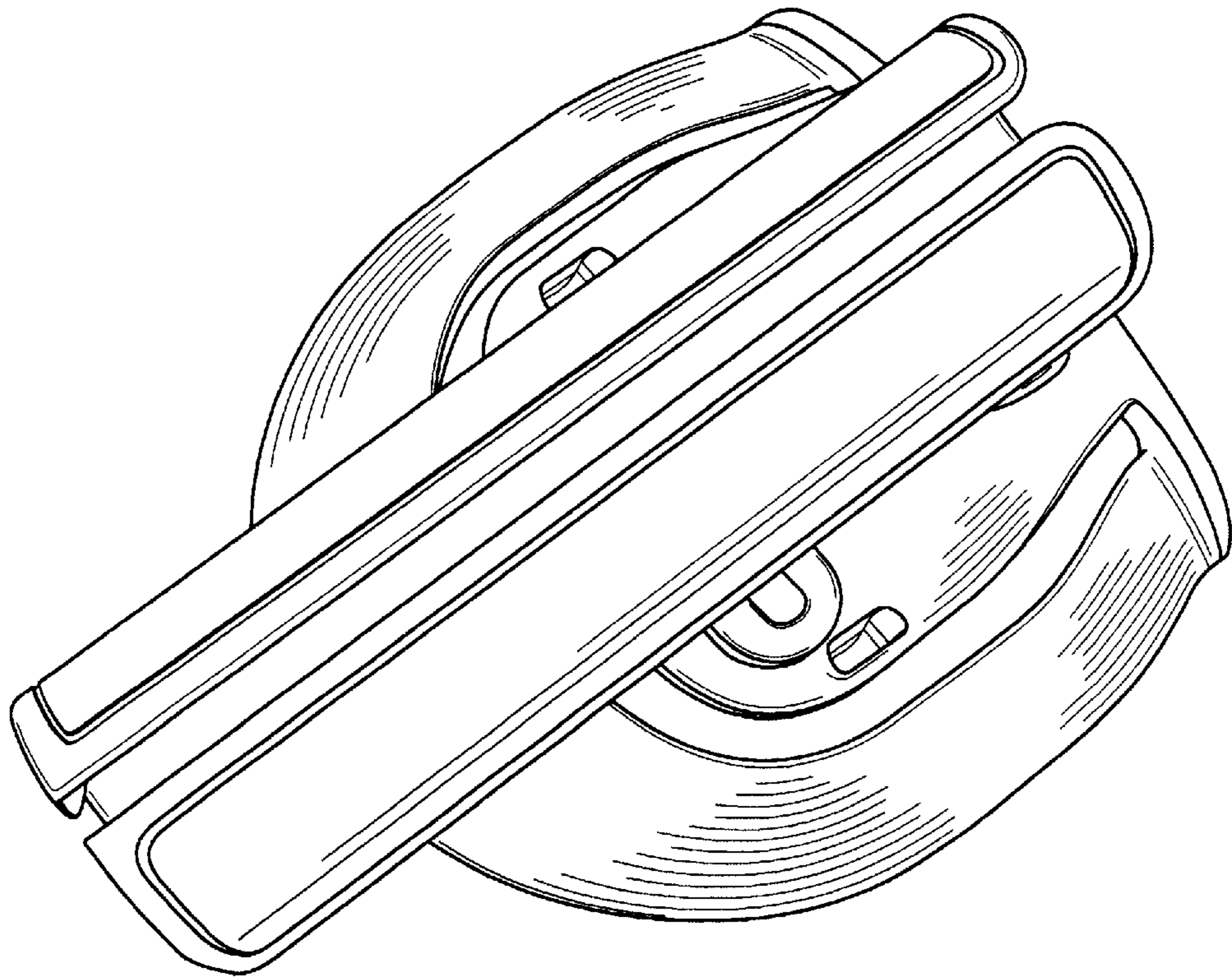


FIG. 1

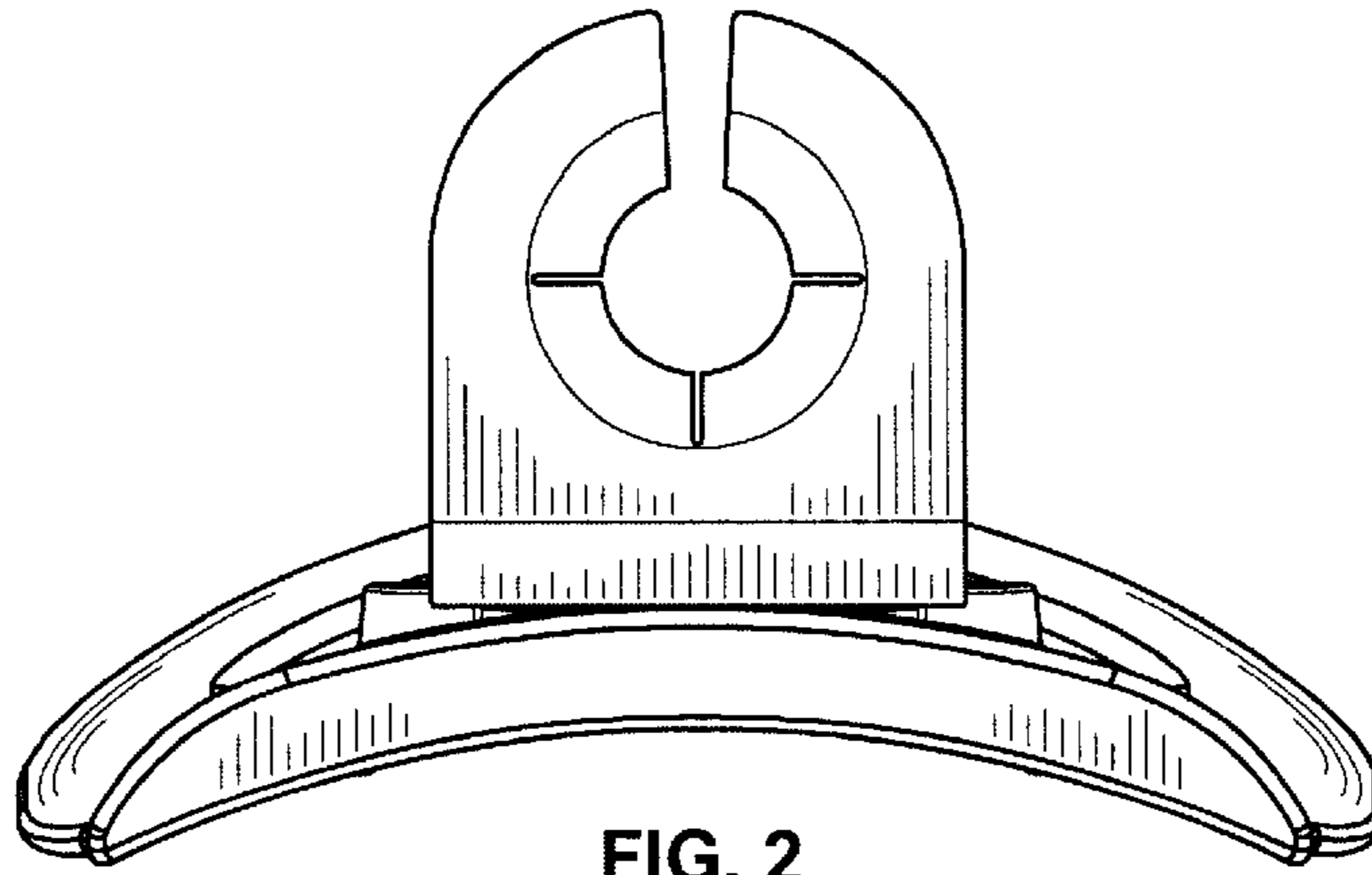


FIG. 2

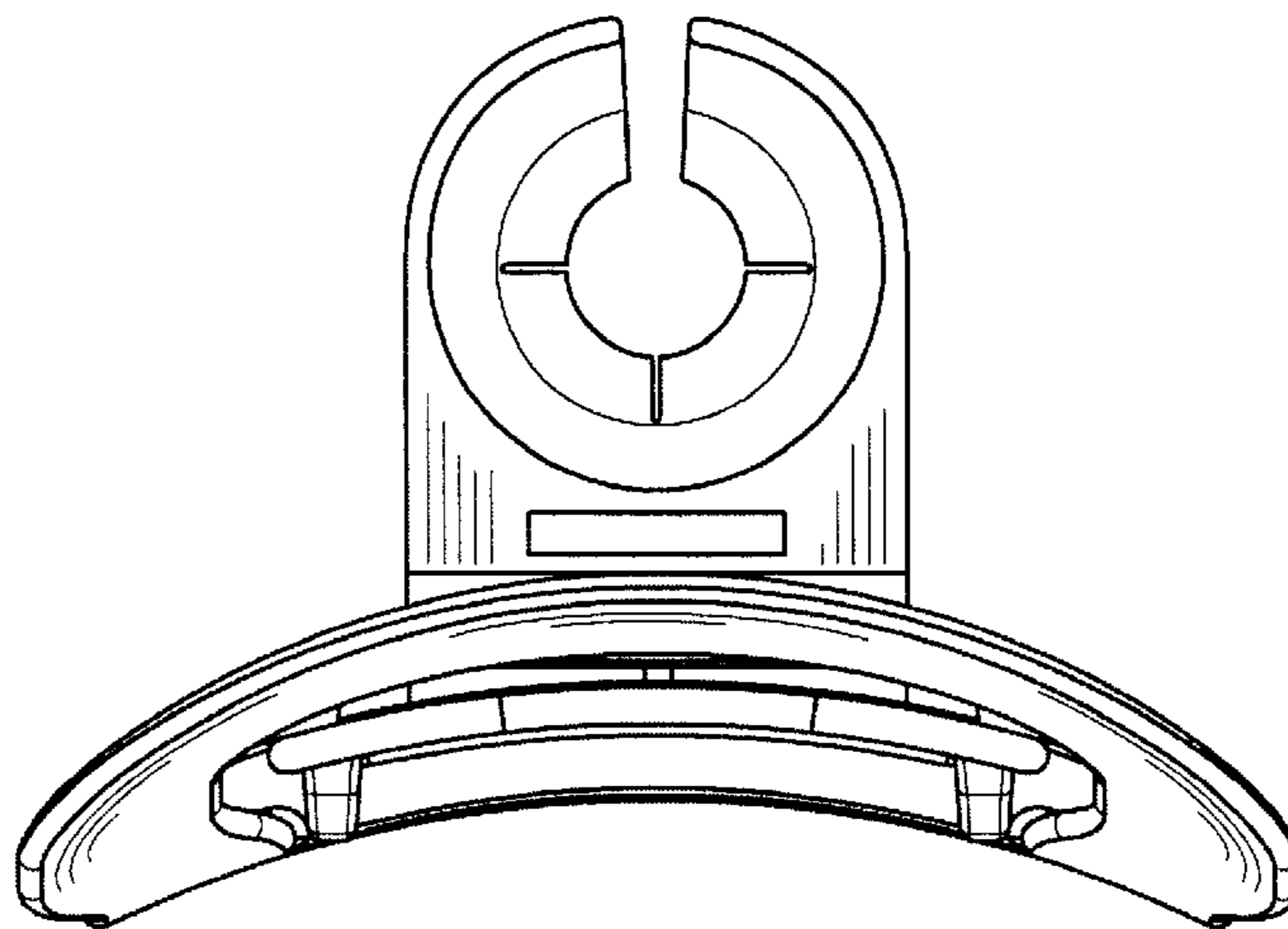


FIG. 3

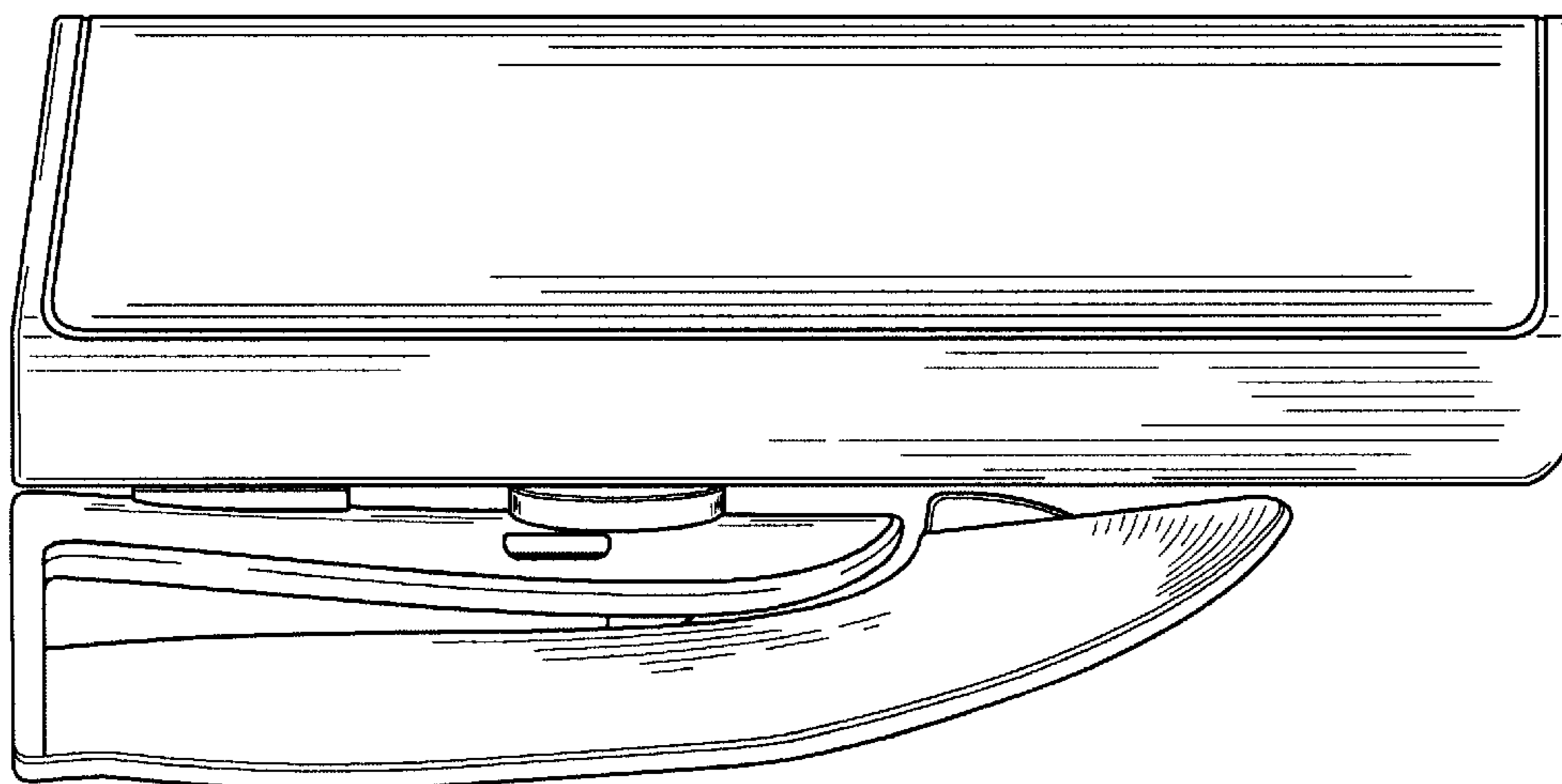


FIG. 4

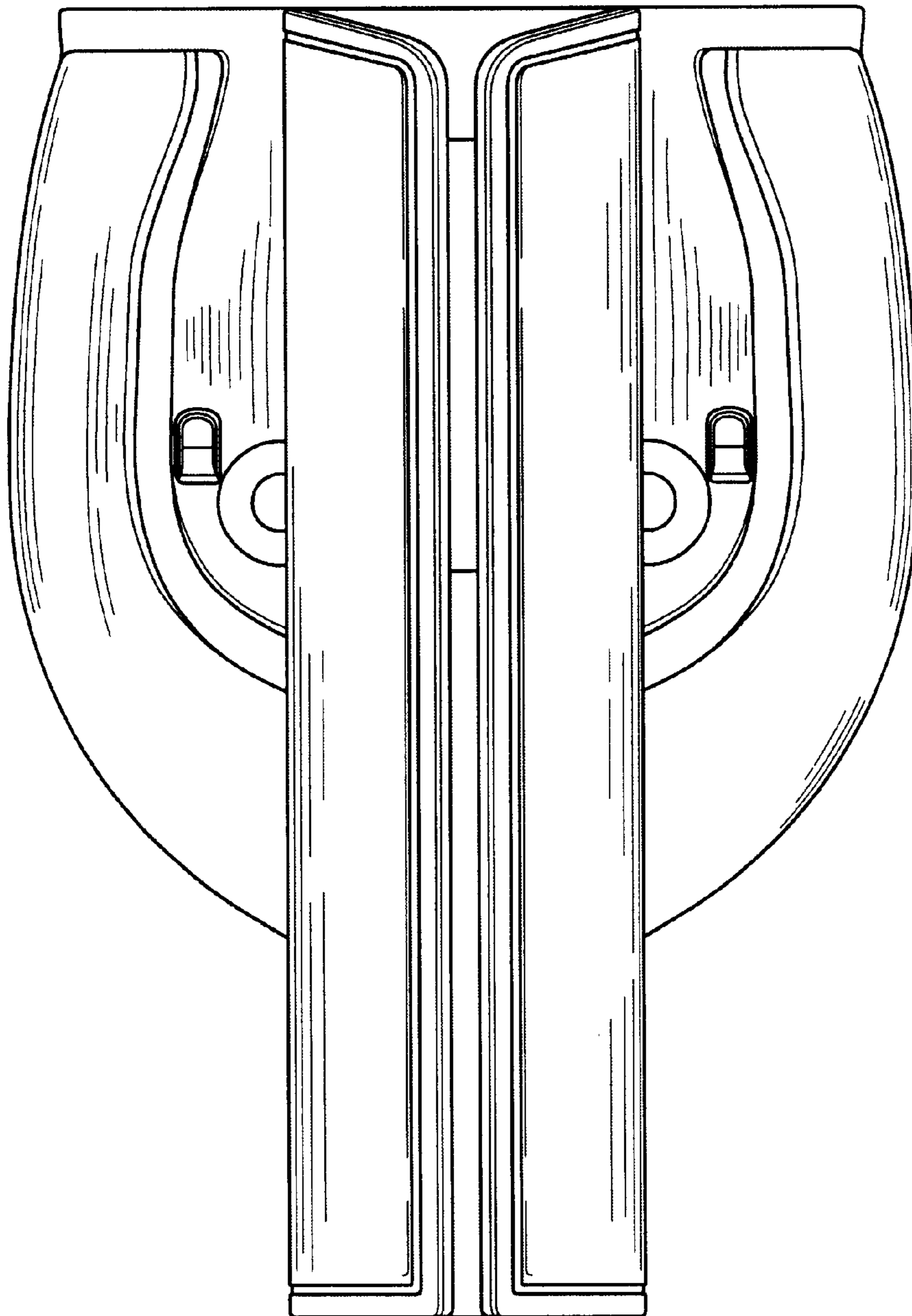


FIG. 5

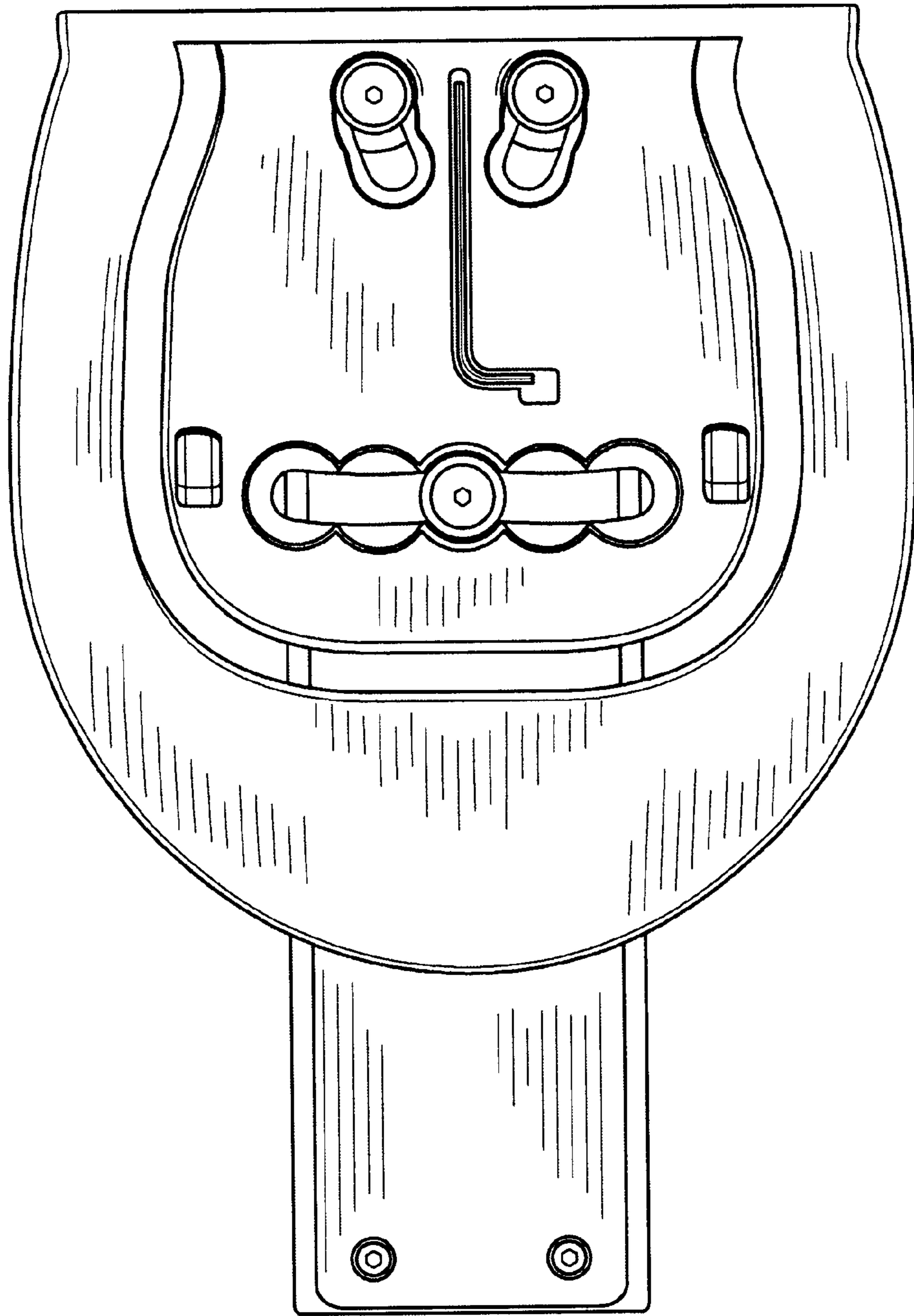


FIG. 6