



US00D528785S

(12) **United States Design Patent**
Fraga

(10) **Patent No.:** **US D528,785 S**

(45) **Date of Patent:** **** Sep. 26, 2006**

(54) **NAIL AND TOOL BAG**

(57) **CLAIM**

(76) **Inventor:** **Juan Carlos Fraga**, 2840 N. 2nd St.,
North Fort Myers, FL (US) 33917

The ornamental design for a nail and tool bag, as shown and described.

(**) **Term:** **14 Years**

DESCRIPTION

(21) **Appl. No.:** **29/210,320**

FIG. 1 is an exploded view of the nail and tool bag showing my new design;

(22) **Filed:** **Jul. 30, 2004**

FIG. 2 is a cross sectional view shown along line 2—2 of FIG. 1;

(51) **LOC (8) Cl.** **03-01**

FIG. 3 is a front perspective view thereof;

(52) **U.S. Cl.** **D3/228**

FIG. 4 is a front elevational view thereof; The belt is shown broken a way for Convenience of illustration;

(58) **Field of Classification Search** D3/224,
D3/226, 228, 215; 224/904, 901, 240, 245,
224/242, 677, 682–684, 666; 206/373–374
See application file for complete search history.

FIG. 5 is a rear elevational view thereof; The belt is shown broken a way for Convenience of illustration;

(56) **References Cited**

FIG. 6 is a top plan view thereof; The belt is shown broken a way for Convenience of illustration;

U.S. PATENT DOCUMENTS

FIG. 7 is a bottom plan view thereof; The belt is shown broken a way for Convenience of illustration;

D348,982 S	*	7/1994	Dancyger	D3/224
D348,983 S	*	7/1994	Dancyger	D3/224
D350,849 S	*	9/1994	Dancyger	D3/228
D359,165 S	*	6/1995	Kaiser, III	D3/228

FIG. 8 is a right side elevational view thereof; and,

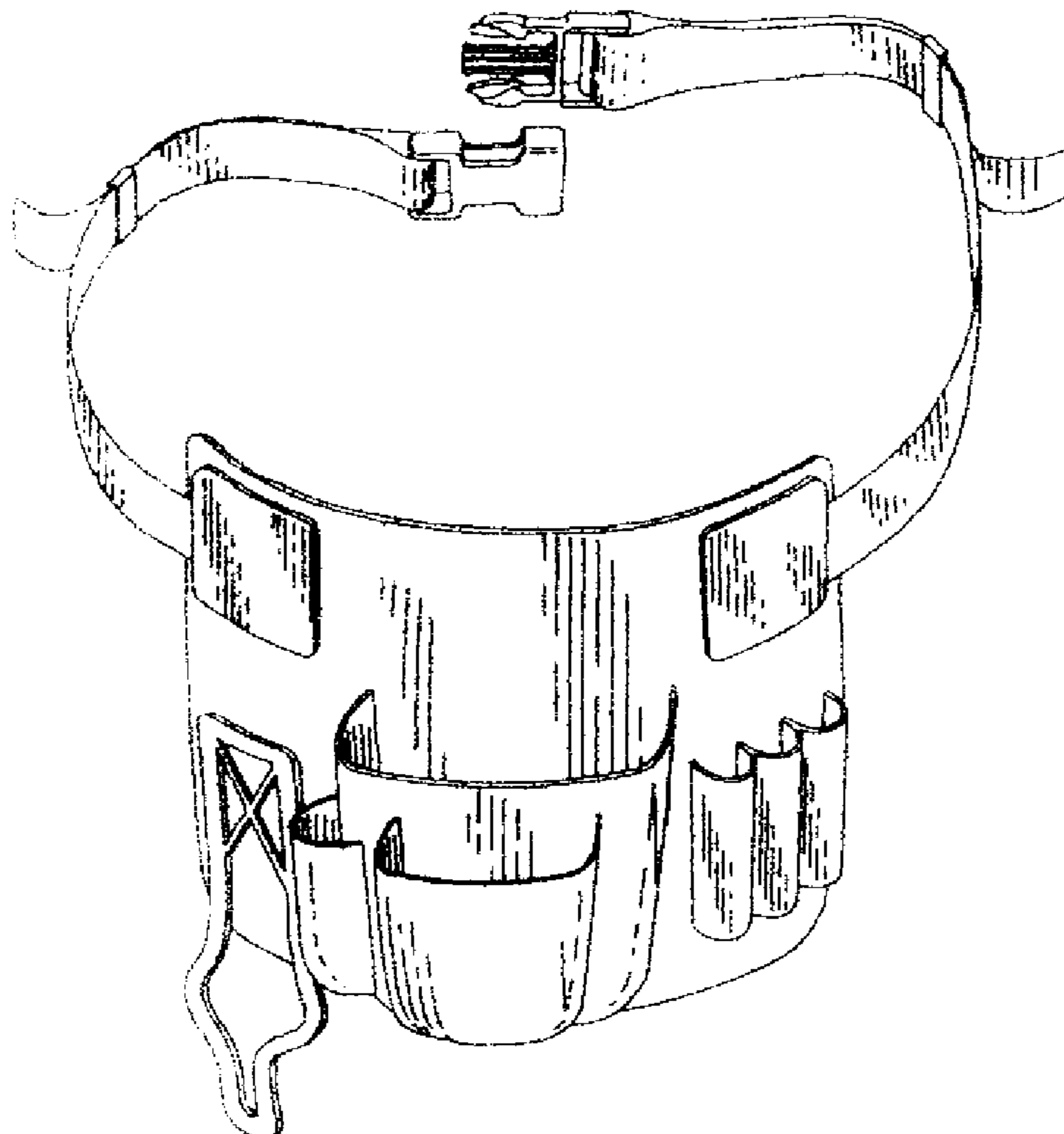
FIG. 9 is a left side elevational view.

* cited by examiner

The broken line showing of environment in the drawings is for illustrative purpose only and forms no part of the claimed design.

Primary Examiner—Catherine R. Oliver

1 Claim, 4 Drawing Sheets



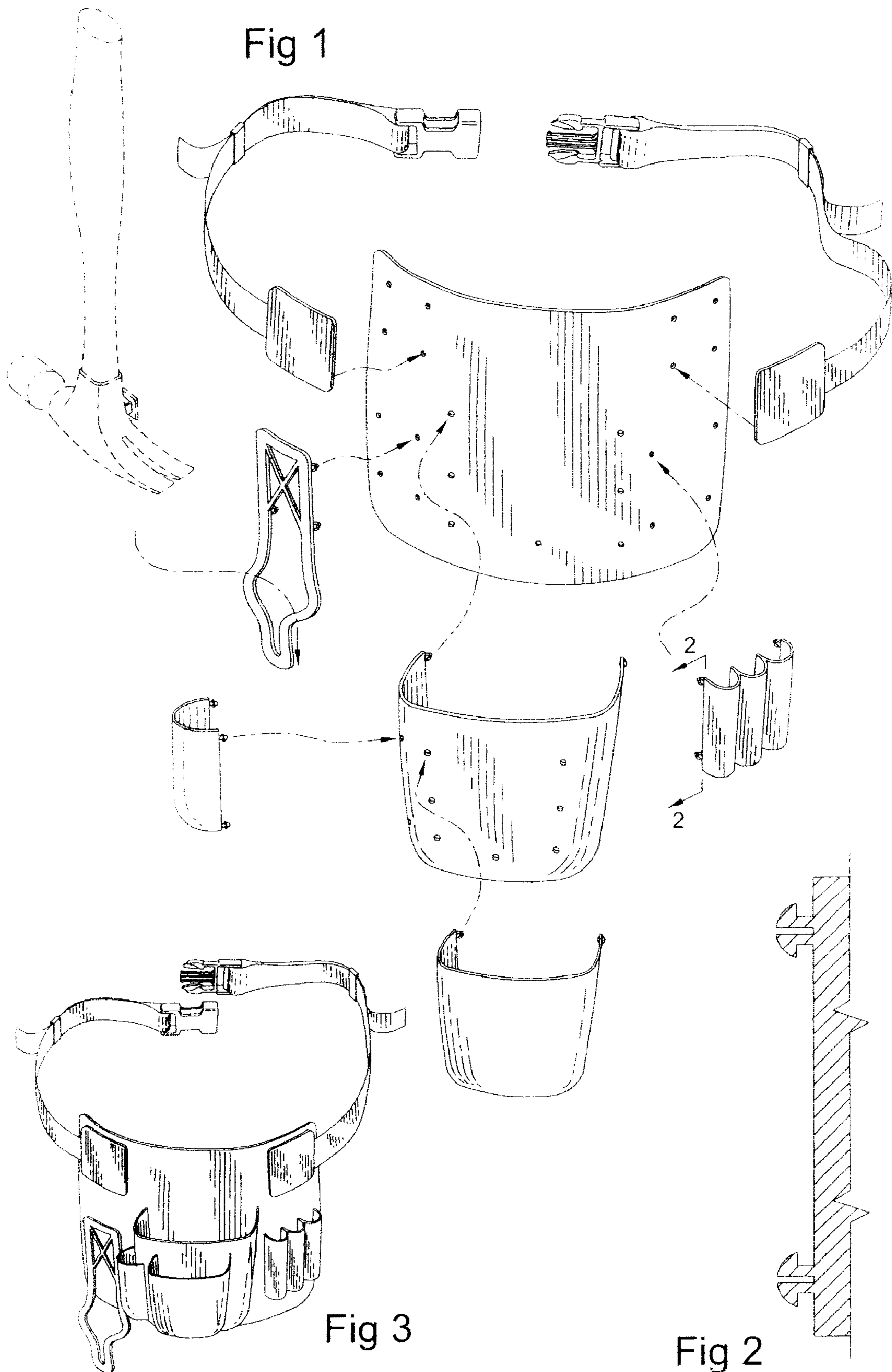


Fig 4

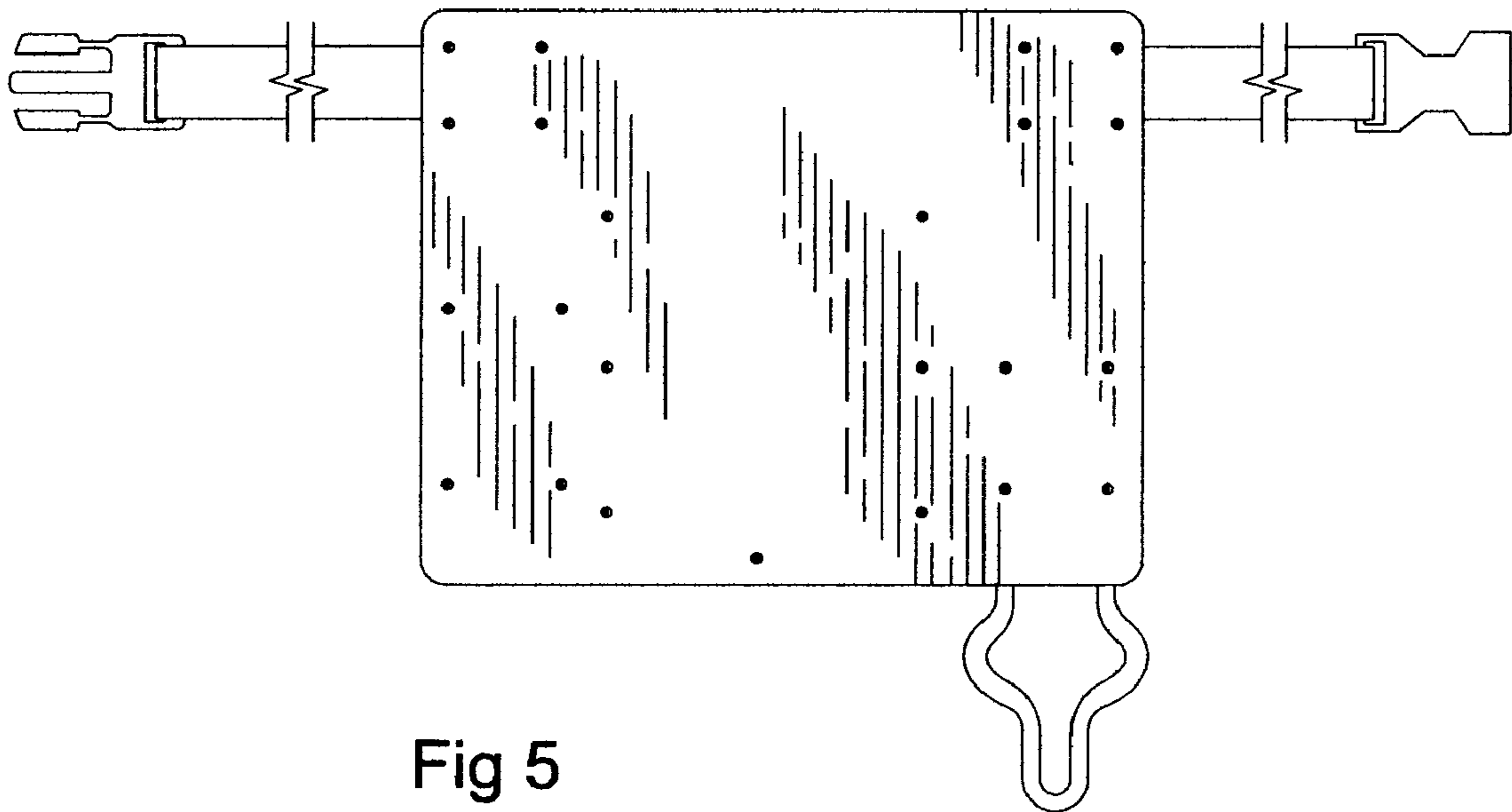
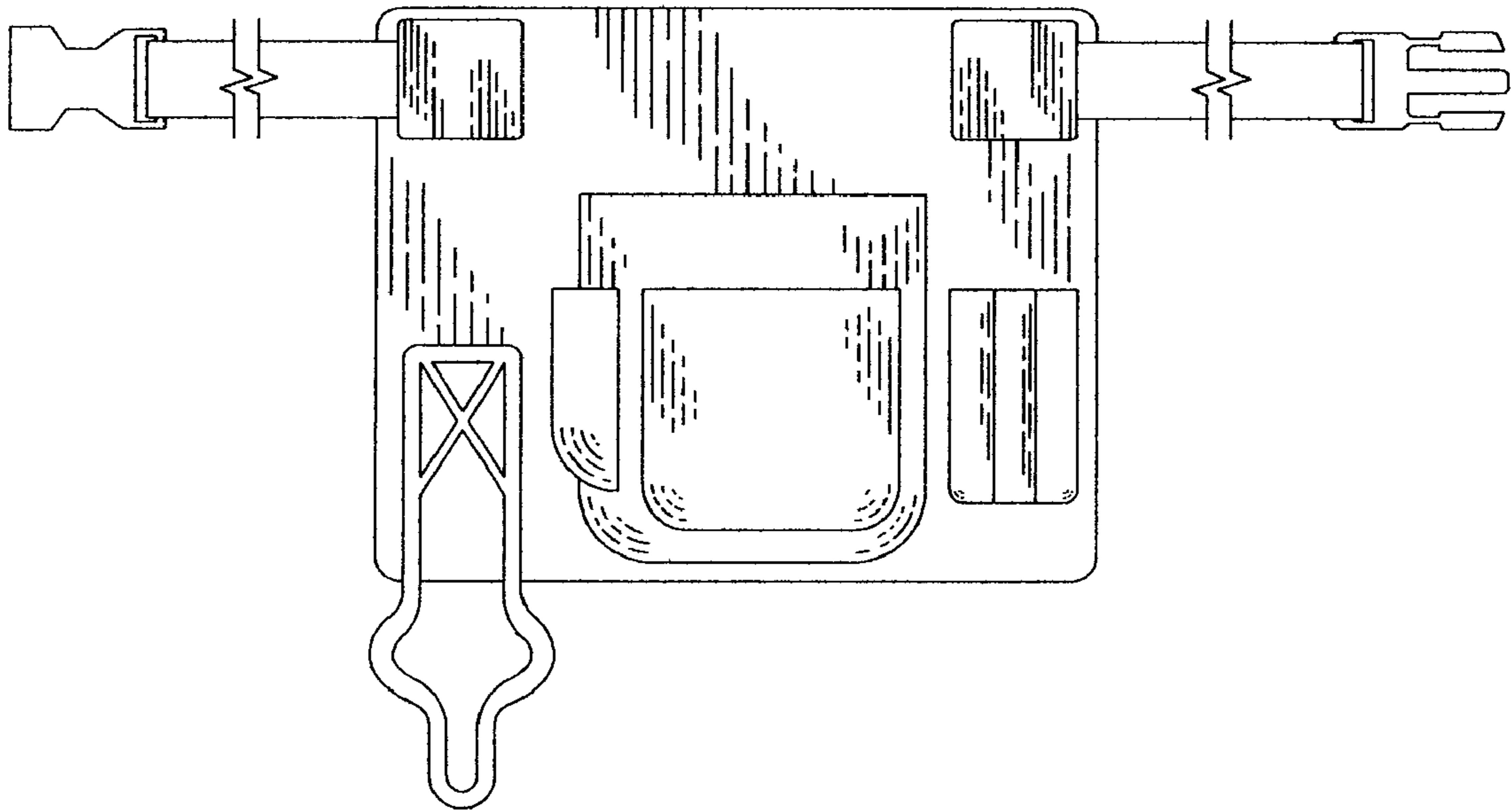


Fig 5

Fig 6

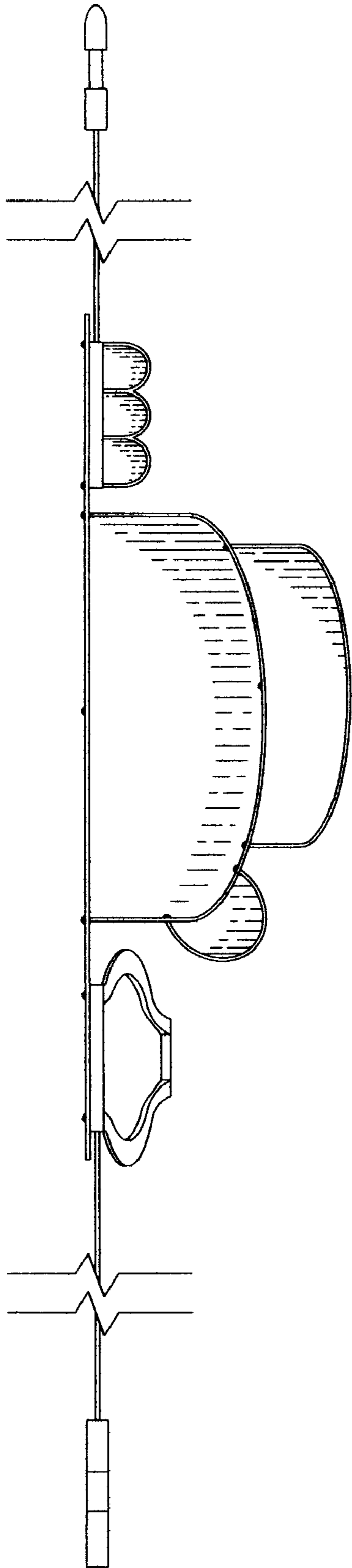


Fig 7

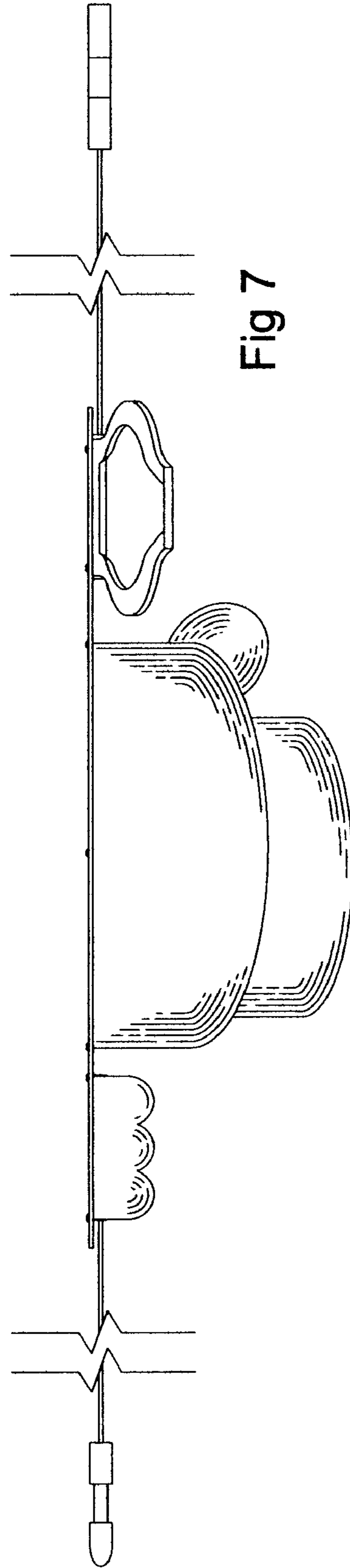


Fig 8

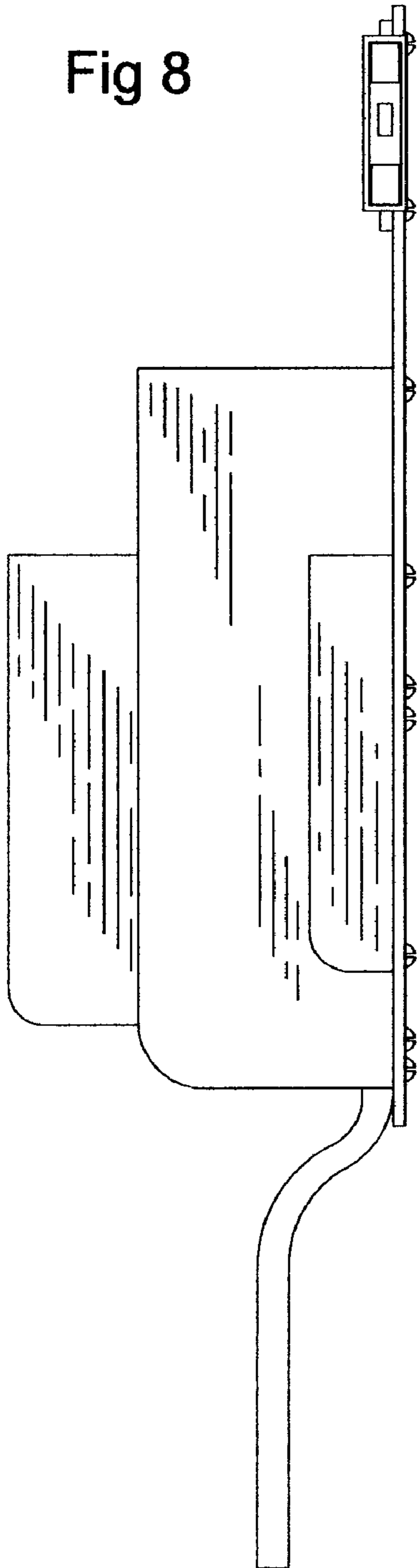


Fig 9

