



US00D528784S

(12) **United States Design Patent** (10) **Patent No.:** **US D528,784 S**
Beck (45) **Date of Patent:** **** Sep. 26, 2006**

(54) **AMMUNITION POUCH**
(75) Inventor: **Jason Robert Beck**, Peoria, AZ (US)
(73) Assignee: **Diamondback Tactical LLLP**, Peoria, AZ (US)
(**) Term: **14 Years**

2,557,445 A	6/1951	Lewallen	2/247
2,755,566 A	7/1956	Harrison	36/4
3,331,083 A	7/1967	Holly	2/2.5
3,529,307 A	9/1970	Belson et al.	2/94
3,577,836 A	5/1971	Tamura	2/2.5
3,743,147 A	7/1973	Wilczynski	224/199
3,840,901 A	10/1974	Eyster	2/247

(Continued)

(21) Appl. No.: **29/230,880**
(22) Filed: **May 27, 2005**
(51) **LOC (8) Cl.** **03-01**
(52) **U.S. Cl.** **D3/221; D3/262**
(58) **Field of Classification Search** D3/221,
D3/224, 226, 267-268, 219, 254, 262; 224/931,
224/908; 206/316.1, 316.2
See application file for complete search history.

FOREIGN PATENT DOCUMENTS

DE	4214543	11/1993
EP	0226265	6/1987
FR	2391446	5/1978

(Continued)

Primary Examiner—Catherine R. Oliver
(74) *Attorney, Agent, or Firm*—Townsend and Townsend
and Crew LLP

(56) **References Cited**

U.S. PATENT DOCUMENTS

264,195 A	9/1882	Quinn, Jr.	2/126
562,608 A	6/1896	Herberlin	2/24
761,113 A	5/1904	Van Wagoner et al.	24/581.1
842,498 A	1/1907	Schmidt	24/578.1
921,352 A	5/1909	Blakers et al.	2/2.5
1,044,494 A	11/1912	Clarke	2/23
1,210,407 A	1/1917	Boucher	2/2.5
1,246,274 A	11/1917	Jetalian	2/2.5
1,256,422 A	2/1918	Anderson	2/2.5
1,269,019 A	6/1918	Szmyt	2/2.5
1,310,125 A	7/1919	Lundberg et al.	2/247
1,348,204 A	8/1920	Brewster	2/2.5
1,350,062 A	8/1920	Brewster	2/2.5
1,655,895 A	1/1928	Davis	2/247
1,758,296 A	5/1930	Schaumann	428/47
1,764,483 A	6/1930	Watkins	2/247
1,772,922 A	8/1930	Volz	2/22
1,968,767 A	7/1934	Howard	224/674
2,099,431 A	11/1937	Reeb	2/126
2,266,886 A	12/1941	McCoy	2/22
2,343,142 A	2/1944	Freedman	24/713.1
2,448,416 A	8/1948	Carter	2/94

(57) **CLAIM**
The ornamental design for an ammunition pouch, as shown
and described.

DESCRIPTION

FIG. 1 is a perspective view of an ammunition pouch
showing my new ornamental design;
FIG. 2 is a front view of the pouch shown in FIG. 1;
FIG. 3 is a rear view of the pouch shown in FIG. 1;
FIG. 4 is a right side view of the pouch shown in FIG. 1;
FIG. 5 is a left side view of the pouch shown in FIG. 1;
FIG. 6 is a top view of the pouch shown in FIG. 1;
FIG. 7 is a bottom view of the pouch shown in FIG. 1;
FIG. 8 is a perspective view with the overlapping flap
disposed in a closed position;
FIG. 9 is a front view of the pouch shown in FIG. 8; and,
FIG. 10 is a rear view of the pouch shown in FIG. 8.
The broken line showing of environment in the drawings is
for illustrative purposes only and forms no part of the
claimed design.

1 Claim, 6 Drawing Sheets



U.S. PATENT DOCUMENTS

3,957,183 A 5/1976 Gadberry 224/628
 4,106,121 A 8/1978 Belson 2/102
 4,180,261 A 12/1979 Kolka 482/105
 4,194,656 A 3/1980 Zufich 224/631
 D257,906 S * 1/1981 Weinreb D3/268
 4,266,300 A 5/1981 Partridge 2/2.5
 4,287,607 A 9/1981 Leach 2/2.5
 4,307,826 A 12/1981 Stewart 224/253
 4,318,502 A 3/1982 Lowe et al. 224/153
 4,497,069 A 2/1985 Braunhut 2/2.5
 4,507,882 A 4/1985 Harrell 36/136
 4,584,228 A 4/1986 Droste 482/182
 4,605,335 A 8/1986 Otrusina 403/348
 4,645,465 A 2/1987 Courtney 441/40
 4,651,355 A 3/1987 White 2/247
 D293,506 S * 1/1988 Kappel et al. D3/268
 4,923,105 A 5/1990 Snyder 224/255
 4,973,277 A 11/1990 Khanamirian 441/88
 4,999,850 A 3/1991 Grilliot et al. 2/126
 5,014,359 A 5/1991 Hanson 2/94
 5,016,794 A 5/1991 Beagle, Jr. 224/629
 5,023,953 A 6/1991 Bettcher 2/26
 5,025,965 A 6/1991 Smith 224/151
 5,052,647 A 10/1991 Axelson et al. 248/231
 5,054,127 A 10/1991 Zevchak 2/247
 5,060,314 A 10/1991 Lewis 2/2.5
 5,063,127 A 11/1991 Oka et al. 430/45
 5,063,614 A 11/1991 McSheffery 2/94
 5,072,453 A 12/1991 Widder 2/2.5
 5,090,053 A 2/1992 Hayes 2/2.5
 5,184,763 A 2/1993 Blaisdell et al. 224/153
 5,201,448 A 4/1993 Schue 224/253
 5,201,867 A * 4/1993 Morszeck 206/316.2
 5,215,379 A 6/1993 Pickard et al. 383/37
 5,247,707 A 9/1993 Parker et al. 2/102
 5,259,093 A 11/1993 D'Annunzio 24/3.9
 5,327,811 A 7/1994 Price et al. 89/36.05
 5,349,893 A 9/1994 Dunn 89/36.05
 5,421,032 A 6/1995 Murphy 2/67
 5,465,425 A 11/1995 Crispin 2/102
 5,471,906 A 12/1995 Bachner, Jr. et al. 89/36.05
 5,512,348 A 4/1996 Mazelsky 428/102
 5,534,343 A 7/1996 Landi et al. 428/313.5
 5,589,254 A 12/1996 Dischler 428/221
 5,604,958 A 2/1997 Anscher 24/3.1
 5,609,278 A 3/1997 Fresco 224/153
 5,617,984 A 4/1997 Fabel 224/164
 5,626,270 A 5/1997 Tseng 22/148.7
 5,628,064 A 5/1997 Chung 2/70
 5,639,005 A 6/1997 Chouinard 224/580
 5,724,707 A 3/1998 Kirk et al. 24/3.7
 5,754,982 A 5/1998 Gainer 2/2.5
 5,765,738 A 6/1998 Hoffner 224/661
 5,806,741 A 9/1998 Kirk 224/634
 5,875,944 A 3/1999 Beletsky 224/198
 5,903,920 A 5/1999 Granqvist 2/195.1
 5,918,309 A 7/1999 Bachner, Jr. 2/2.5
 5,987,650 A 11/1999 Carroll 2/244
 5,991,925 A 11/1999 Wu 2/102
 6,012,162 A 1/2000 Bullat 2/2.5
 6,103,641 A 8/2000 Gehring, Jr. 442/46
 6,138,277 A 10/2000 Gillen et al. 2/102
 6,161,222 A 12/2000 Strickland et al. 2/228
 6,161,741 A 12/2000 French 224/198

6,164,048 A 12/2000 Rhodes 54/1
 6,233,737 B1 5/2001 Ditchfield 2/2.5
 6,233,740 B1 5/2001 Meyers et al. 2/102
 6,264,079 B1 7/2001 Skaggs 224/193
 6,266,818 B1 7/2001 Howland et al. 2/2.5
 6,279,804 B1 8/2001 Gregg 224/675
 6,319,862 B1 11/2001 Czetto, Jr. 442/135
 D455,548 S 4/2002 Cragg D3/224
 6,431,420 B1 8/2002 Cragg 224/223
 6,449,769 B1 9/2002 Bachner, Jr. 2/2.5
 6,453,791 B1 9/2002 Seitzinger 89/36.05
 6,516,981 B1 2/2003 Perez et al. 224/148.6
 6,519,775 B1 2/2003 Garcia 2/22
 D473,051 S * 4/2003 Hassett D3/267
 6,543,055 B1 4/2003 Howland et al. 2/2.5
 6,547,118 B1 4/2003 Beletsky et al. 224/661
 6,588,640 B1 7/2003 Rogers et al. 224/673
 6,627,562 B1 9/2003 Gehring, Jr. 442/35
 6,634,531 B1 10/2003 Conte 224/407
 6,685,066 B1 2/2004 Cragg 224/192
 6,691,906 B1 2/2004 Cragg 224/238
 6,698,024 B1 3/2004 Graves et al. 2/2.5
 6,703,104 B1 3/2004 Neal 428/118
 6,704,934 B1 3/2004 Graham et al. 2/2.5
 6,738,984 B1 5/2004 Gillen et al. 2/2.5
 D496,143 S 9/2004 Noell et al. D2/627
 D500,807 S 1/2005 Noell et al. D20/27
 D501,592 S 2/2005 Noell et al. D34/28
 D501,989 S 2/2005 Cook et al. D3/215
 D501,991 S 2/2005 Cook et al. D3/222
 6,851,160 B1 2/2005 Carver 24/197
 D503,039 S 3/2005 Cook et al. D3/229
 D505,773 S 6/2005 Noell et al. D2/829
 D505,774 S 6/2005 Noell et al. D2/829
 6,907,617 B1 6/2005 Johnson 2/13
 2002/0120973 A1 9/2002 D'Annunzio 2/92
 2003/0104738 A1 6/2003 Porter 442/134
 2003/0141328 A1 7/2003 Cragg 224/192
 2004/0016784 A1 1/2004 Berry 224/584
 2004/0035900 A1 2/2004 Cragg 224/661
 2004/0045428 A1 3/2004 Citerrio 89/36.05
 2004/0112932 A1 6/2004 Cragg 224/675
 2004/0132368 A1 7/2004 Price et al. 442/247
 2004/0026972 A1 11/2004 Cook 224/195
 2004/0221361 A1 11/2004 D'Annunzio 2/69
 2004/0238571 A1 12/2004 Noell et al. 222/175
 2005/0005342 A1 1/2005 Johnson 2/102
 2005/0005343 A1 1/2005 Johnson 2/102

FOREIGN PATENT DOCUMENTS

FR 2699265 12/1992
 GB 425066 3/1935
 JP 3019650 11/1995
 JP 136190 5/1996
 JP 2000008208 1/2000
 JP 2000193396 7/2000
 JP 2000282307 10/2000
 JP 2001235299 8/2001
 JP 2002173383 11/2003
 JP 2003329396 11/2003
 WO WO 92/08094 5/1992
 WO WO 92/13250 8/1992
 WO WO 00/28273 5/2000

* cited by examiner



FIG.1

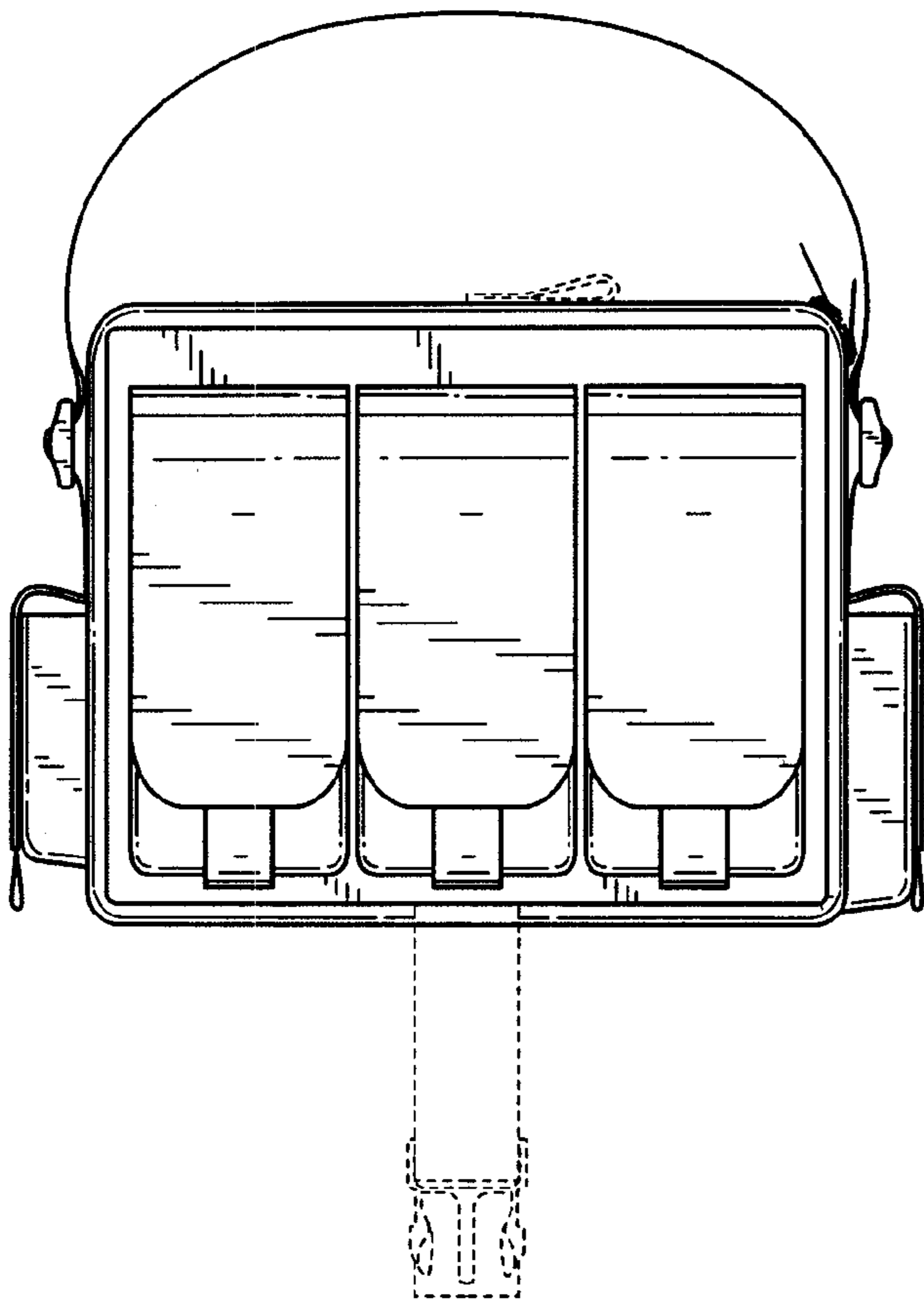


FIG.2

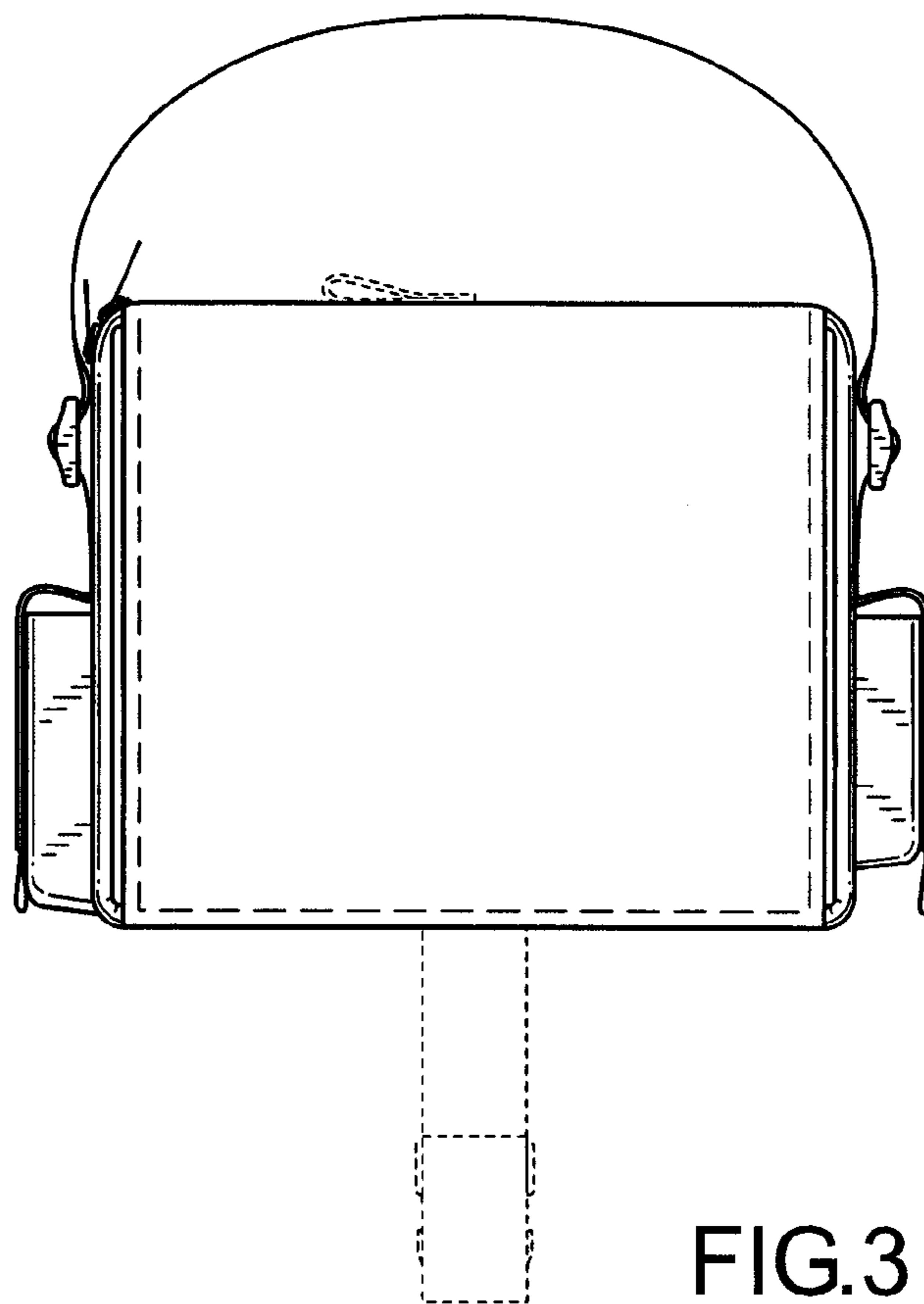


FIG.3

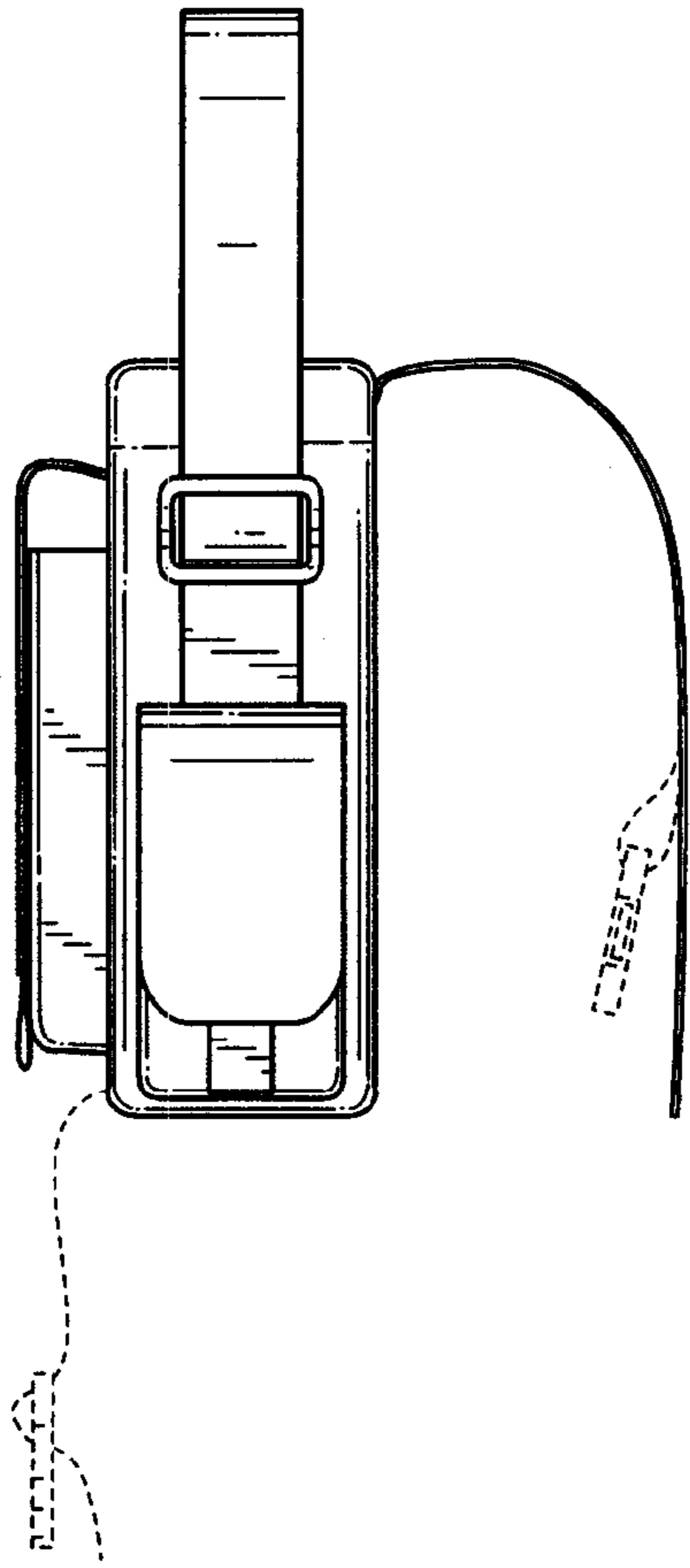


FIG. 4

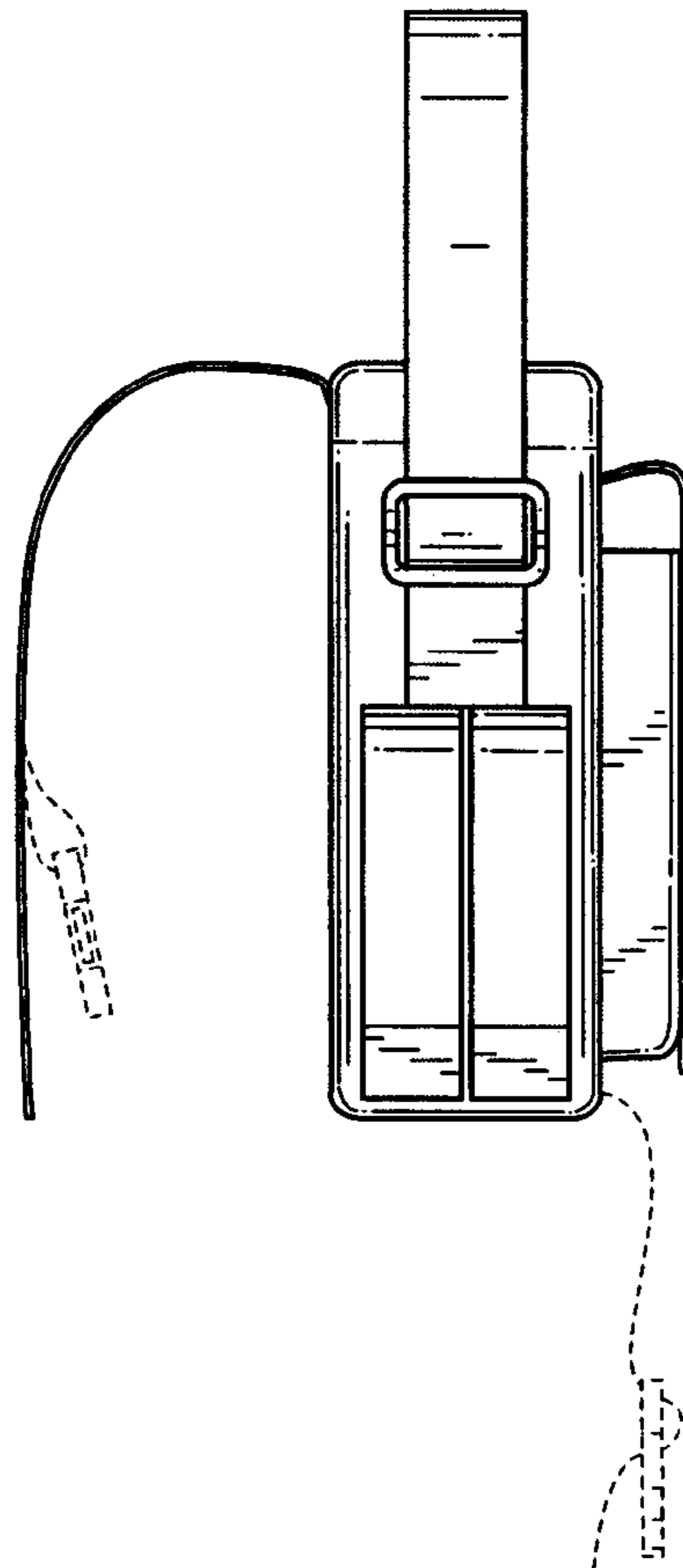


FIG. 5

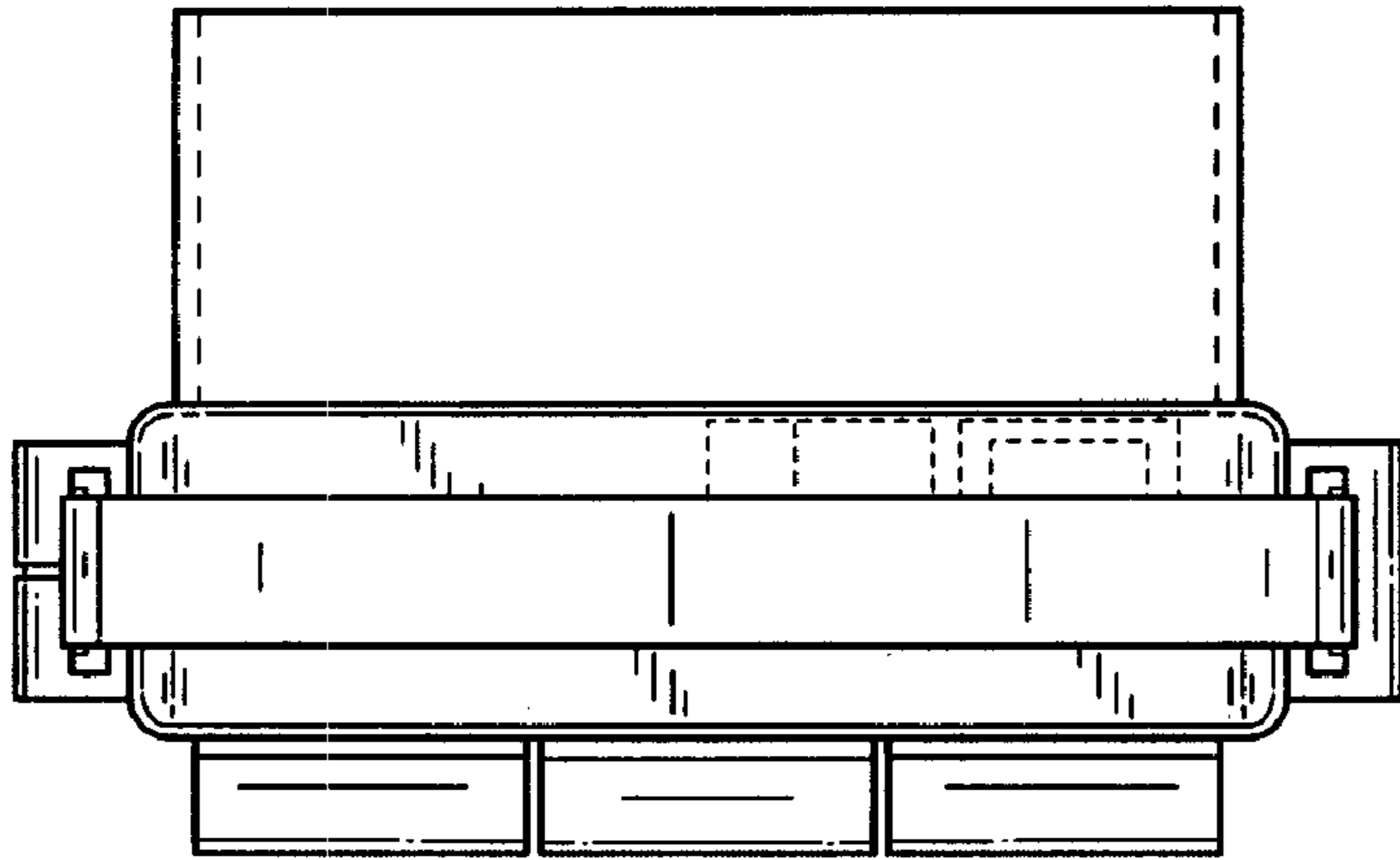


FIG.6

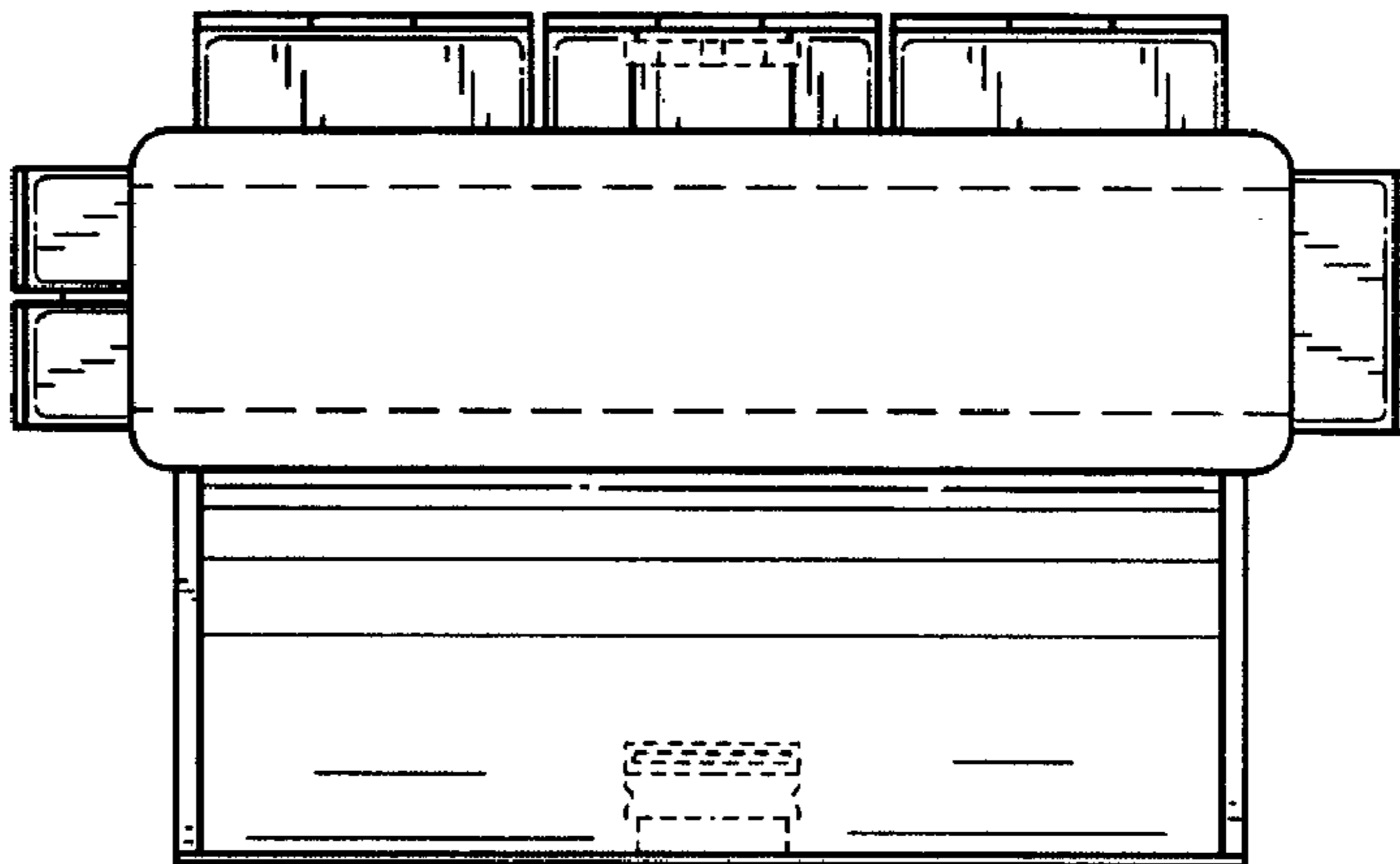


FIG.7

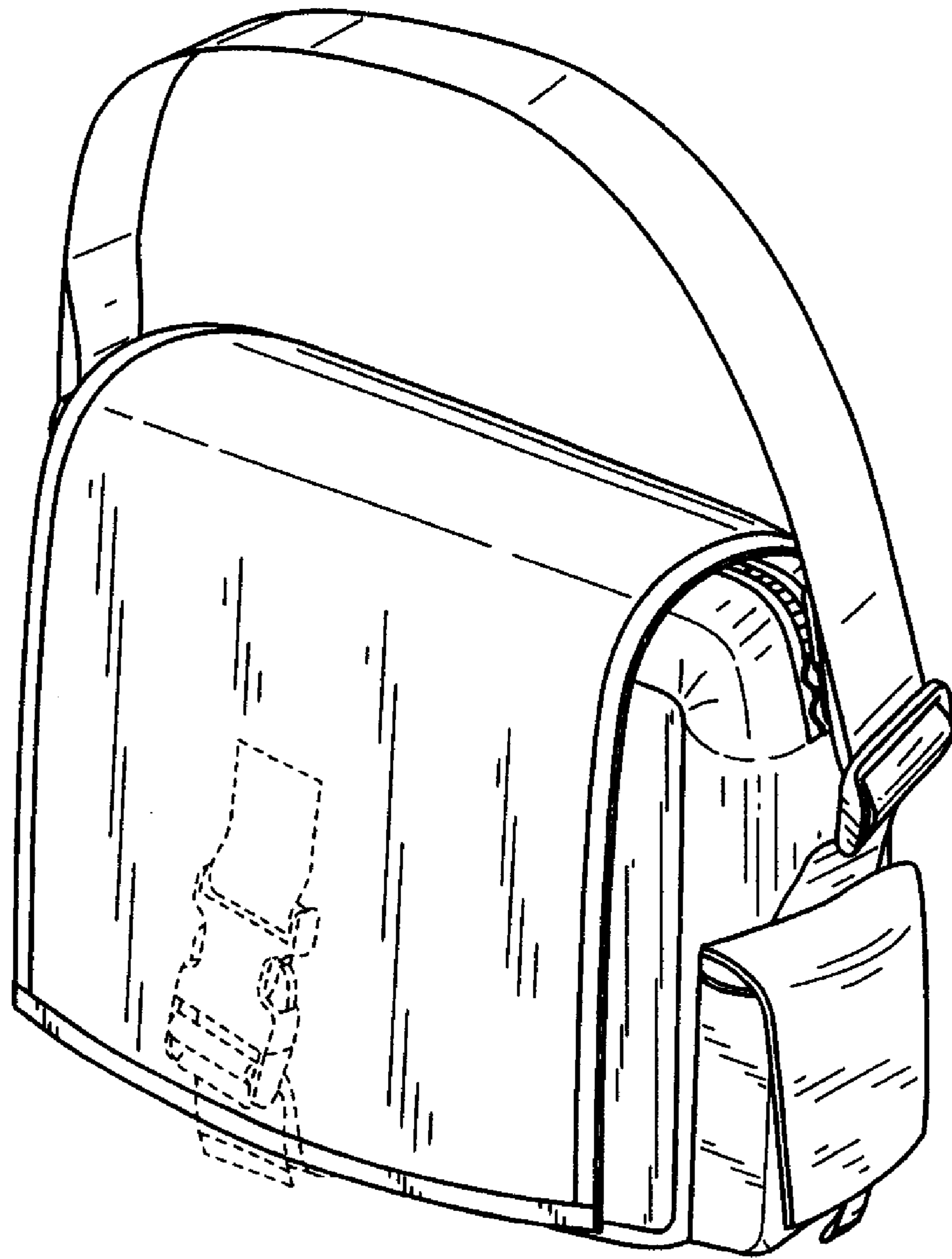


FIG.8

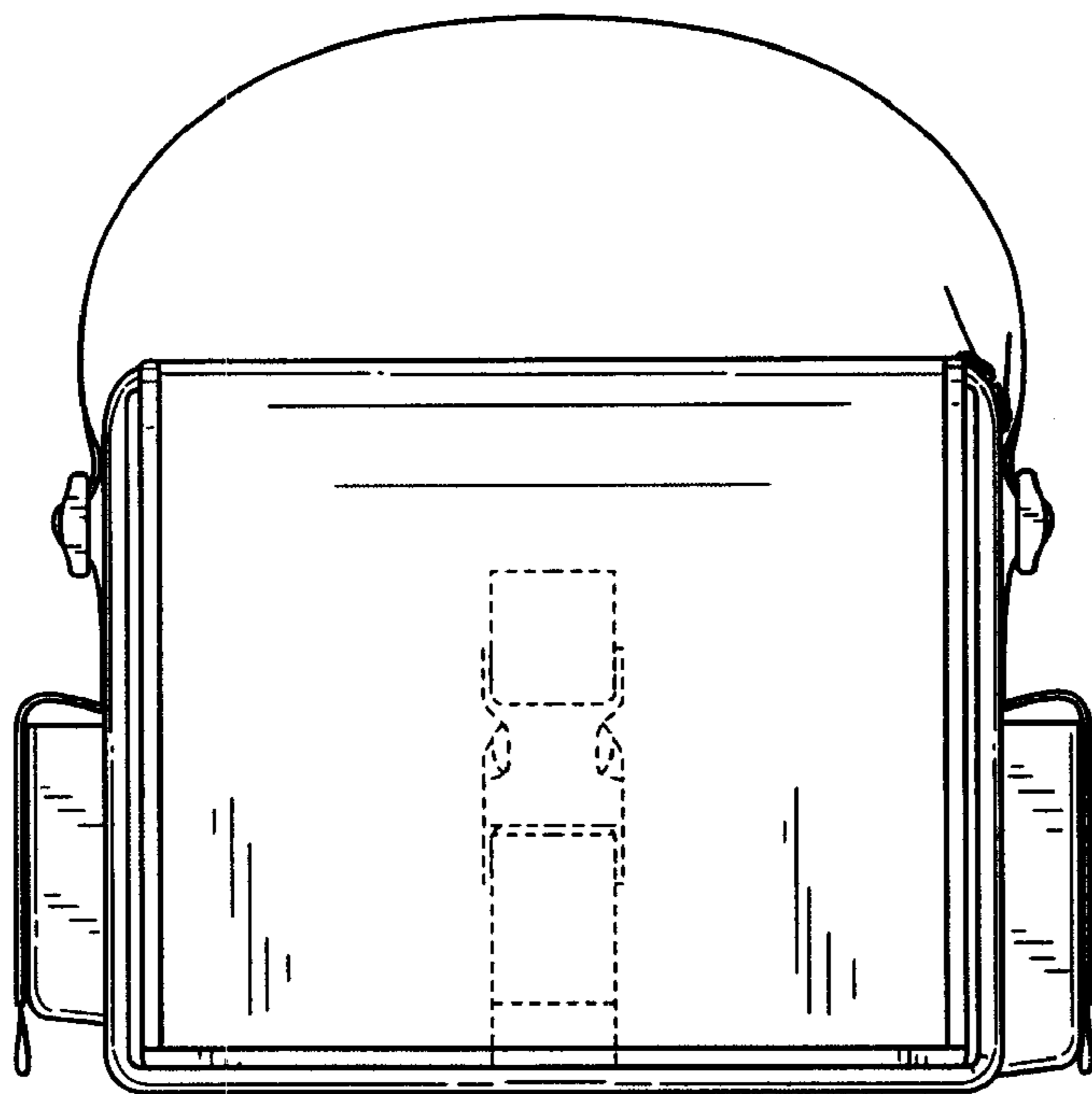


FIG. 9

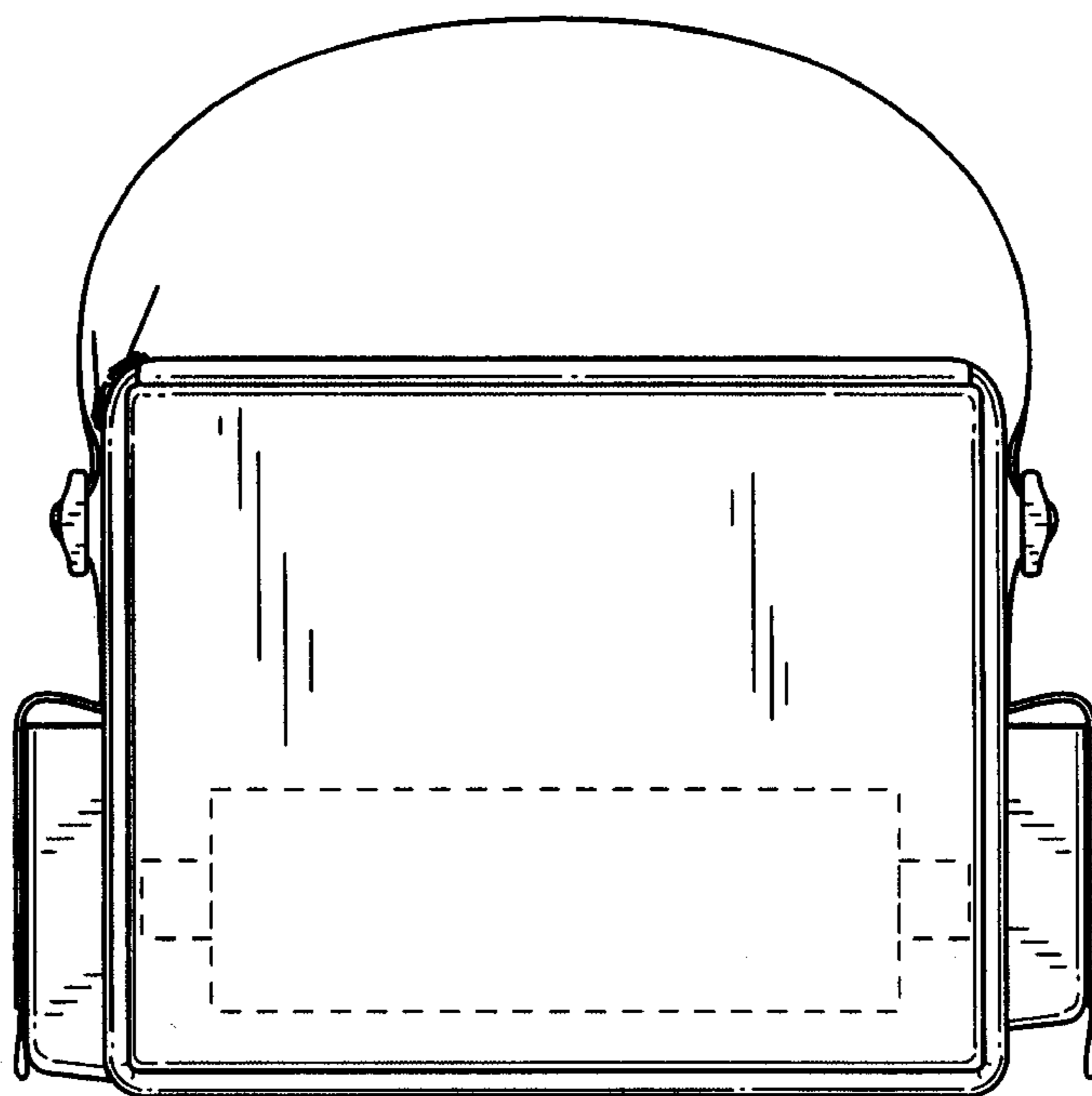


FIG. 10