



US00D528782S

(12) **United States Design Patent**  
**Oas**

(10) **Patent No.:** **US D528,782 S**

(45) **Date of Patent:** **\*\* Sep. 26, 2006**

(54) **PILL BOX**

D466,801 S \* 12/2002 Holland ..... D3/203.3  
D473,372 S \* 4/2003 Weitzman ..... D3/203.3

(75) Inventor: **Daniel R. Oas**, Irwindale, CA (US)

\* cited by examiner

(73) Assignee: **Calibre International, Inc.**, Irwindale, CA (US)

*Primary Examiner*—Catherine R. Oliver

(74) *Attorney, Agent, or Firm*—Edgar W. Averill, Jr.

(\*\*) Term: **14 Years**

(57) **CLAIM**

The ornamental design for a pill box.

(21) Appl. No.: **29/236,504**

**DESCRIPTION**

(22) Filed: **Aug. 16, 2005**

(51) **LOC (8) Cl.** ..... **03-01**

FIG. 1 is a perspective view showing the front, top and left side of the pill box showing my new design.

FIG. 2 is a top view thereof.

(52) **U.S. Cl.** ..... **D3/203.3**

FIG. 3 is a front view thereof.

FIG. 4 is a rear view thereof.

(58) **Field of Classification Search** ..... D3/203.1,  
D3/203.2, 203.3, 201, 205; 206/531–539  
See application file for complete search history.

FIG. 5 is a left side view thereof.

FIG. 6 is a right side view thereof.

FIG. 7 is a bottom view thereof.

FIG. 8 is a perspective view similar to FIG. 1 with one of the component lids open; and,

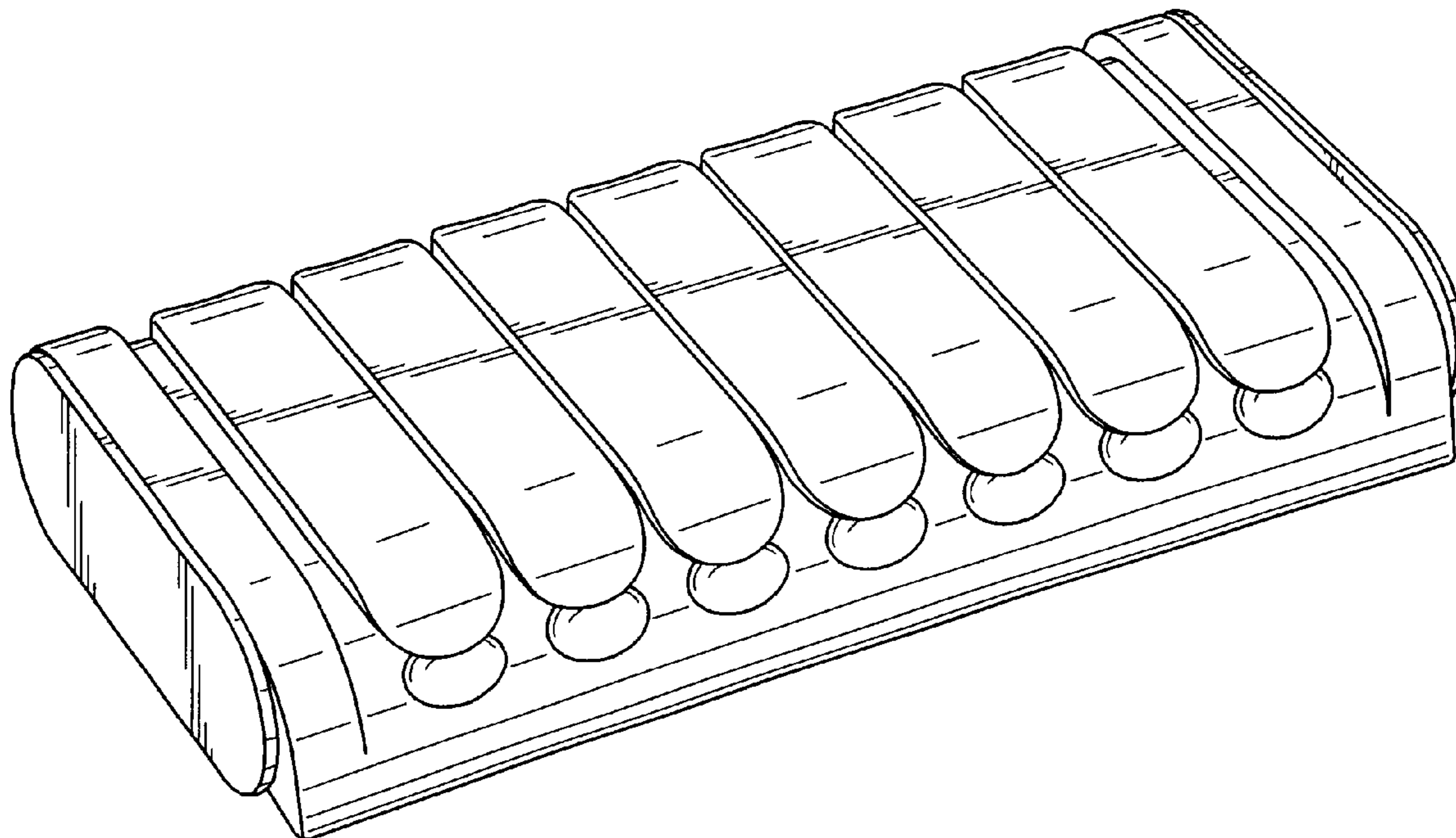
FIG. 9 is a perspective view similar to FIG. 1, but showing the cover closed.

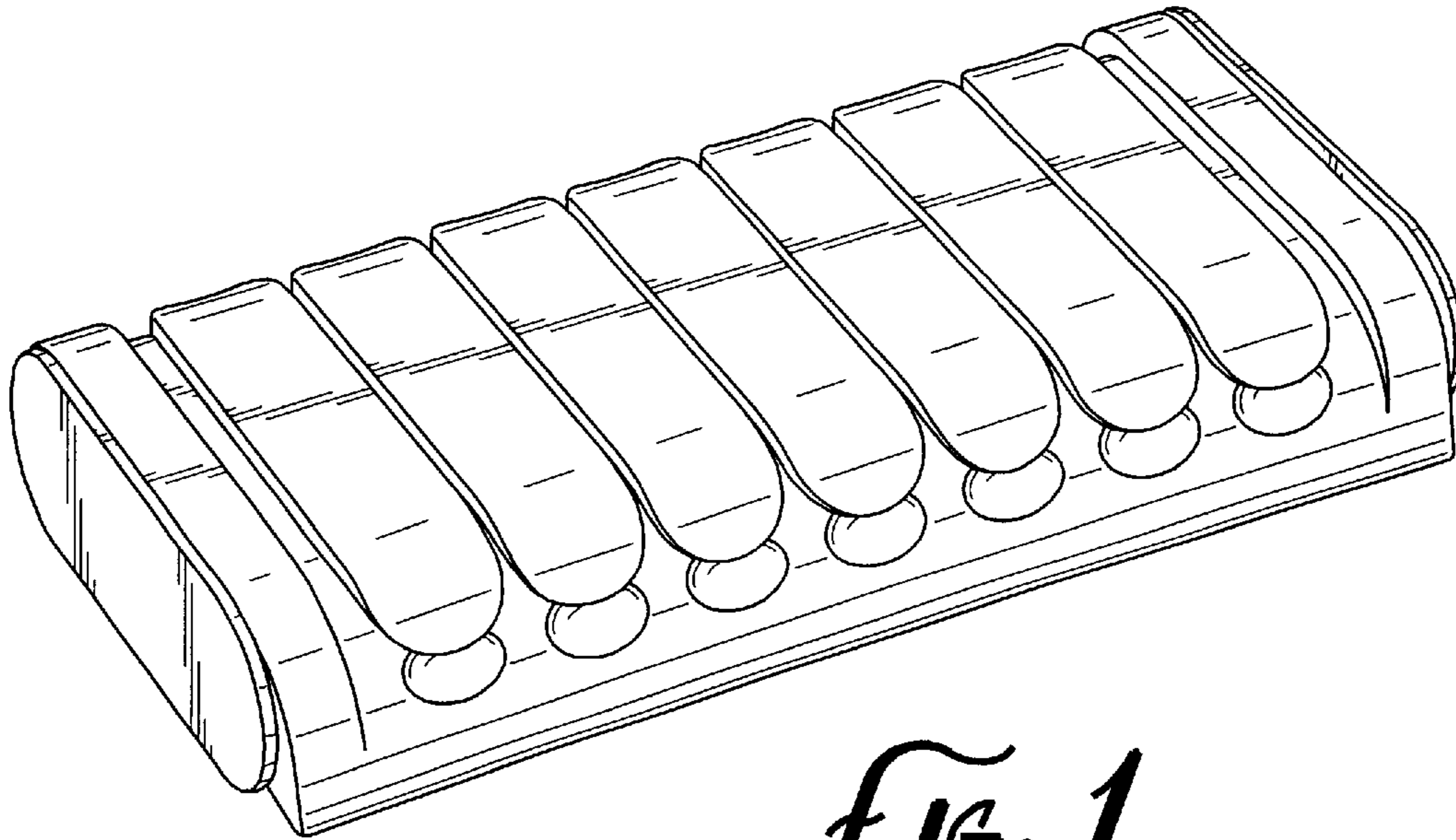
(56) **References Cited**

**U.S. PATENT DOCUMENTS**

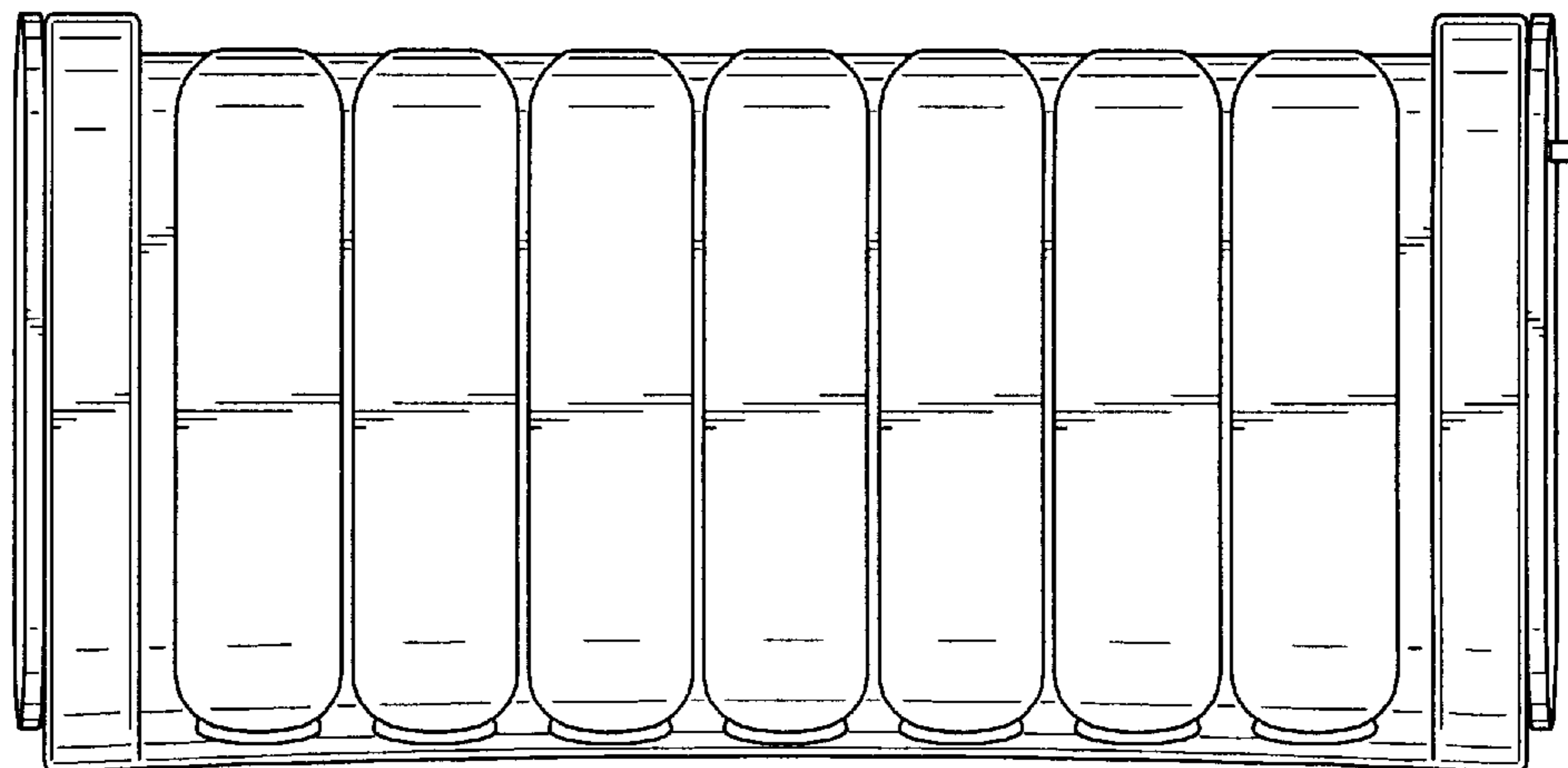
D418,288 S \* 1/2000 Priebe ..... D3/203.3

**1 Claim, 4 Drawing Sheets**

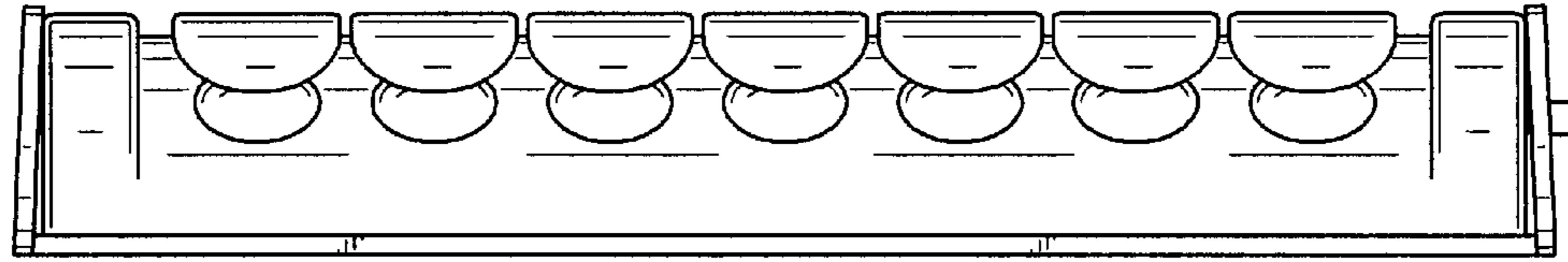




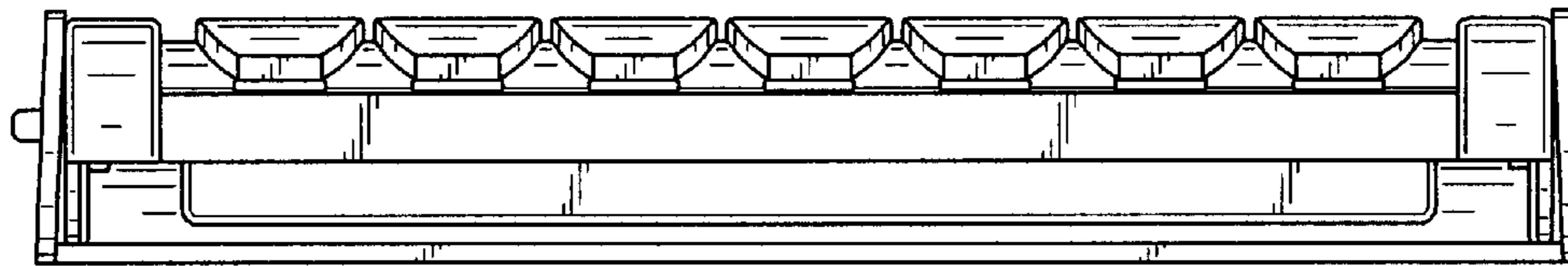
*FIG. 1*



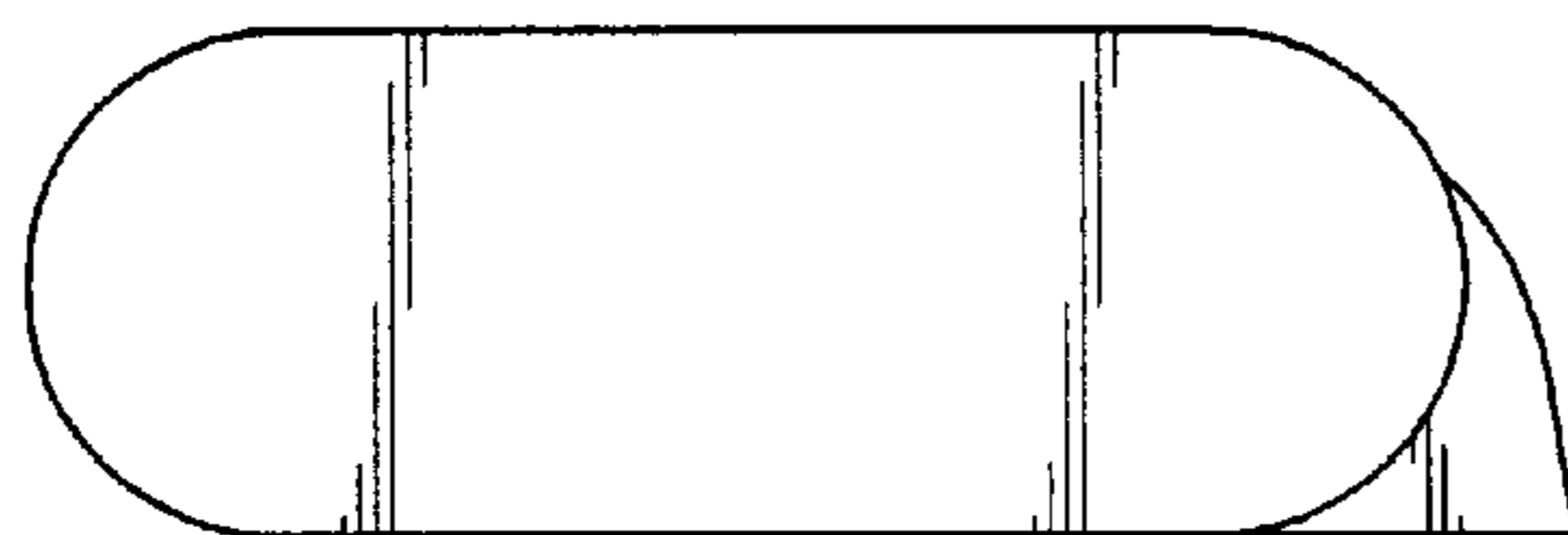
*FIG. 2*



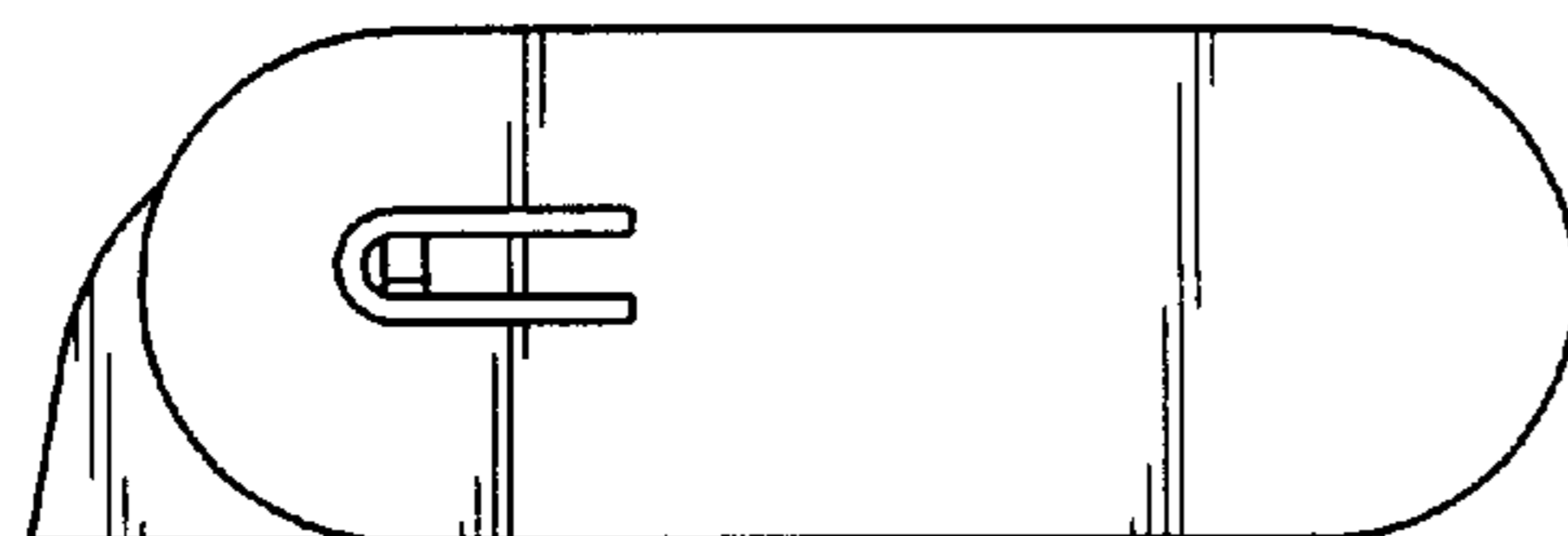
*FIG. 3*



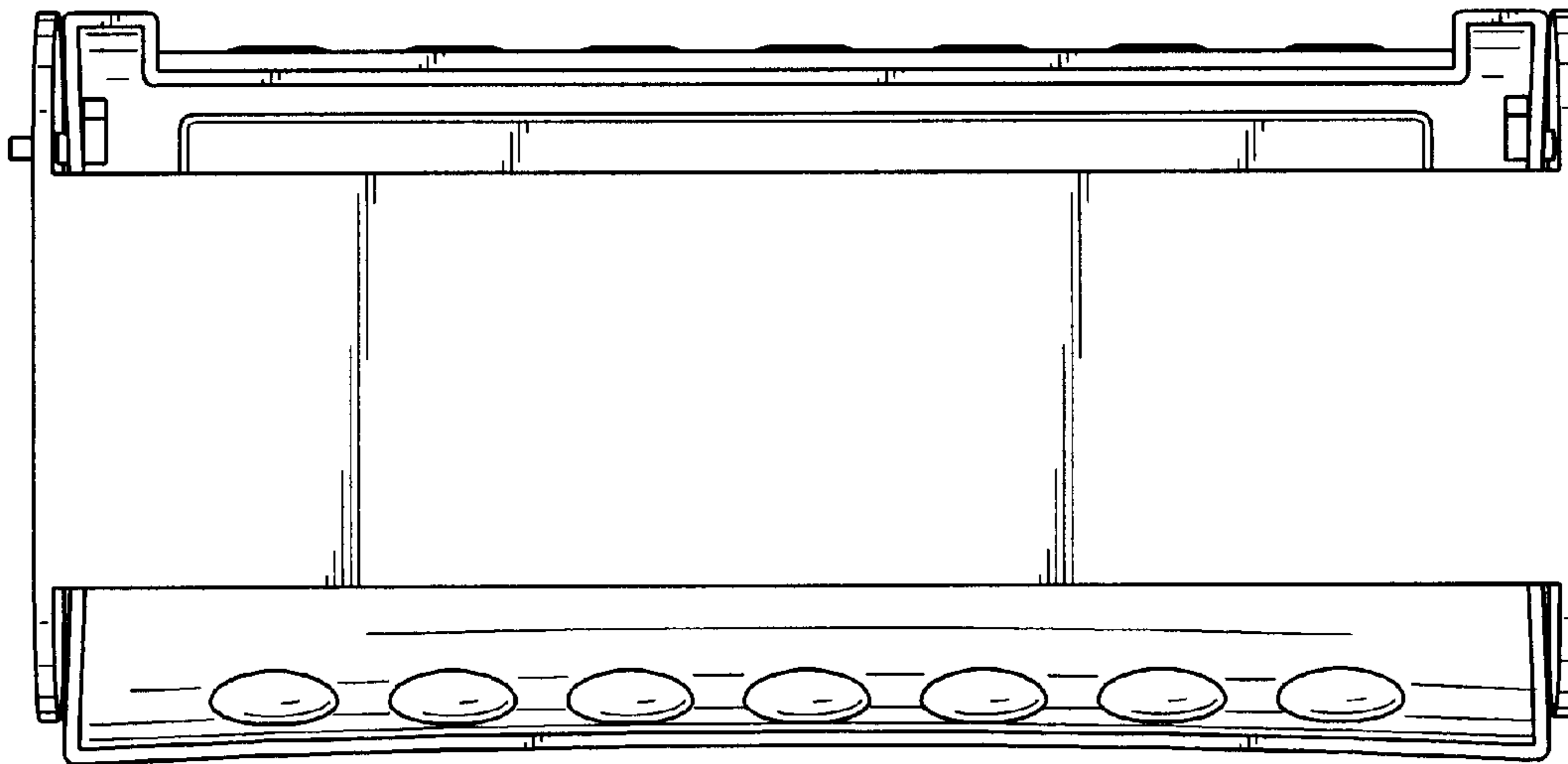
*FIG. 4*



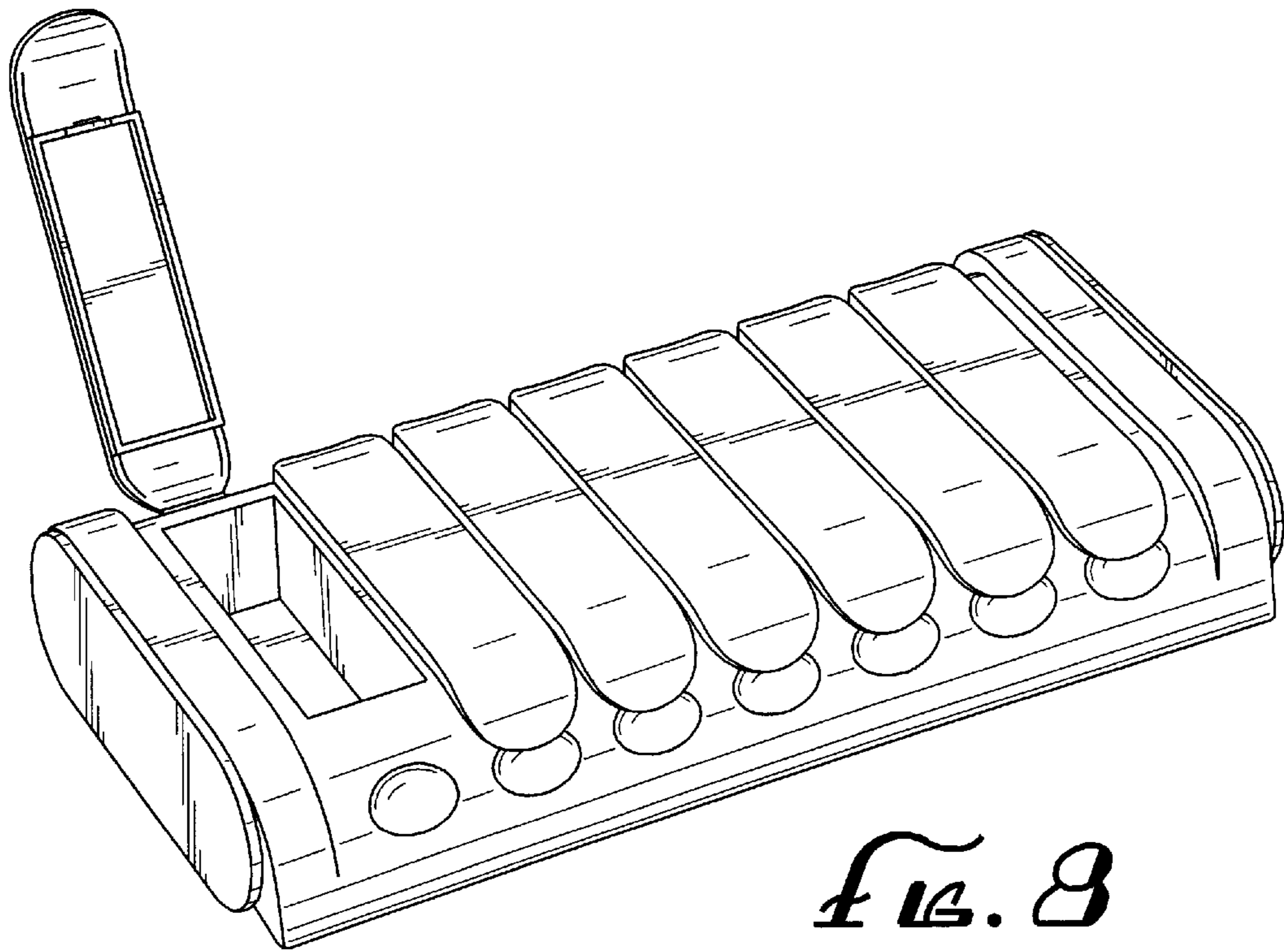
*FIG. 5*



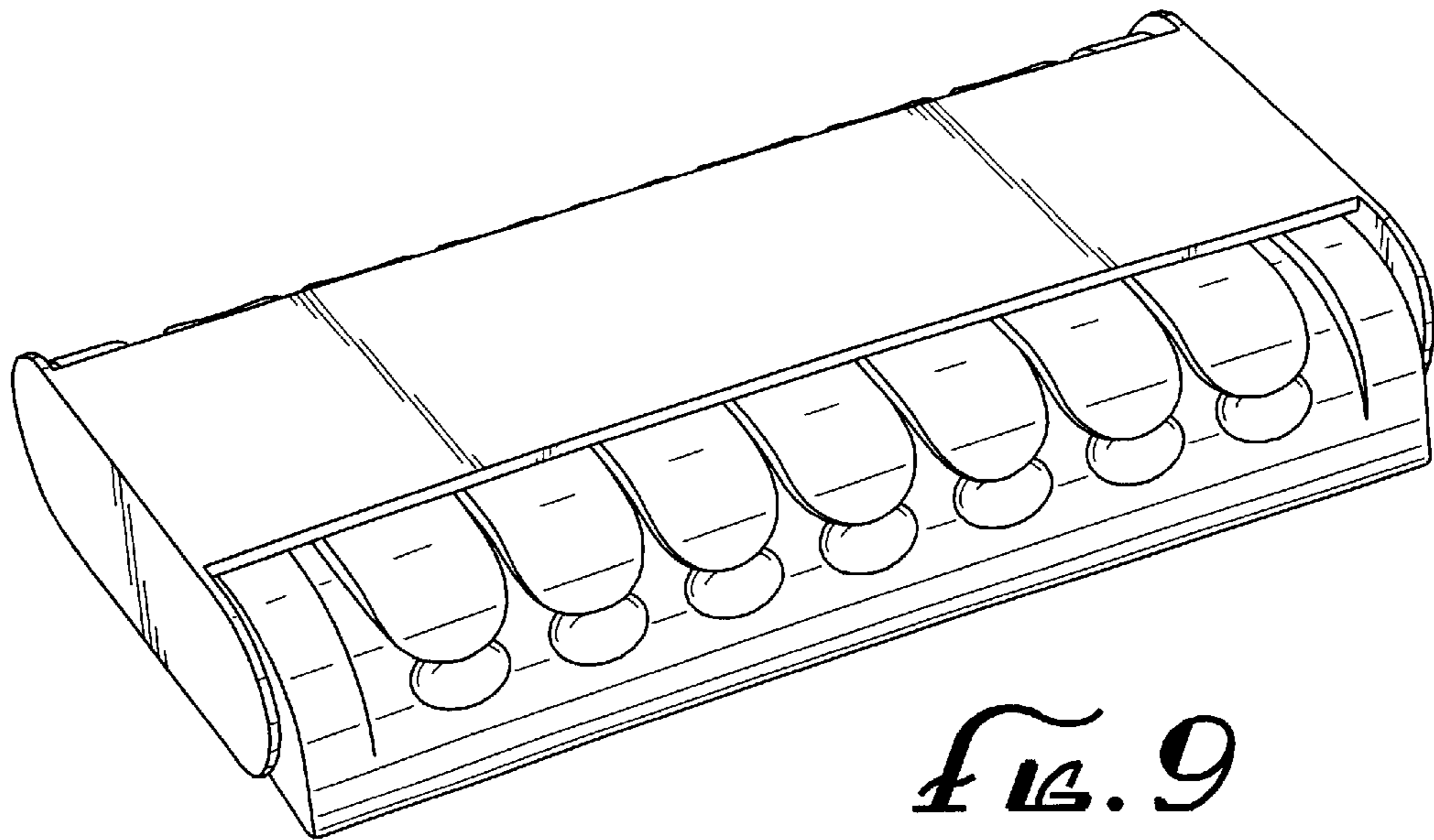
*FIG. 6*



*FIG. 7*



*FIG. 8*



*FIG. 9*