



US00D528774S

(12) **United States Design Patent** (10) **Patent No.:** **US D528,774 S**  
**Morris** (45) **Date of Patent:** **\*\* Sep. 26, 2006**

- (54) **PORTION OF A SHOE UPPER**
- (75) Inventor: **E. Scott Morris**, Hillsboro, OR (US)
- (73) Assignee: **Nike, Inc.**, Beaverton, OR (US)
- (\*\*) Term: **14 Years**
- (21) Appl. No.: **29/256,105**
- (22) Filed: **Mar. 15, 2006**
- (51) **LOC (8) Cl.** ..... **02-99**
- (52) **U.S. Cl.** ..... **D2/972**
- (58) **Field of Classification Search** ..... D2/902,  
D2/907, 908, 943, 944, 969, 972-974; 36/45,  
36/50.1, 77 M, 77 R, 83, 88, 113, 114, 126-131  
See application file for complete search history.

(56) **References Cited**

U.S. PATENT DOCUMENTS

D275,144 S	8/1984	Radford	
D333,554 S	3/1993	Greene	
D339,450 S	9/1993	Smith	
D357,574 S	4/1995	Morris	
D361,886 S	9/1995	Johnson	
D377,414 S	1/1997	Hatfield	
D393,355 S	4/1998	Doxey	
D395,345 S	6/1998	Doxey	
D398,758 S	9/1998	Hlavacs	
D407,548 S	4/1999	Holmes	
D411,249 S	* 6/1999	Maxwell	..... D2/972
D422,130 S	4/2000	Doxey	
D424,292 S	5/2000	Besanceney, III et al.	
D431,103 S	9/2000	McCourt	
D438,698 S	3/2001	Matis et al.	
D463,100 S	9/2002	Lupo et al.	
D467,722 S	12/2002	Wahoske	

(Continued)

OTHER PUBLICATIONS

Men's Nike Footwear Catalog (FA 99), p. M36, published Nov. 1998, Beaverton, Oregon, U.S.A.  
 Women's Nike Footwear Catalog (FA 99), p. W10, published Nov. 1998, Beaverton, Oregon, U.S.A.

Women's Nike Footwear Catalog (LS 99), p. W8, published Sep. 1998, Beaverton, Oregon, U.S.A.  
 Men's Nike Footwear Catalog (LS 99), p. M10, published Sep. 1998, Beaverton, Oregon, U.S.A.  
 Women's Nike Footwear Catalog (SP 99), pp. W20, W37, published Nov. 1998, Beaverton, Oregon, U.S.A.  
 Men's Nike Footwear Catalog (HO 98), pp. M19, M26, M27, published Feb. 1998, Beaverton, Oregon, U.S.A.  
 Men's Nike Footwear Catalog (FA 98), pp. M31, M70, published Nov. 1997, Beaverton, Oregon, U.S.A.  
 Men's Nike Footwear Catalog (FA 93), p. 28, published Dec. 1992, Beaverton, Oregon, U.S.A.  
 Nike Footwear Catalog (SP 91), p. 90, published Jun. 1990, Beaverton, Oregon, U.S.A.  
 Nike Footwear Catalog (SP 88), p. 22, published 1997, Beaverton, Oregon, U.S.A.

*Primary Examiner*—Dominic Simone

(74) *Attorney, Agent, or Firm*—TraskBritt P.C.

(57) **CLAIM**

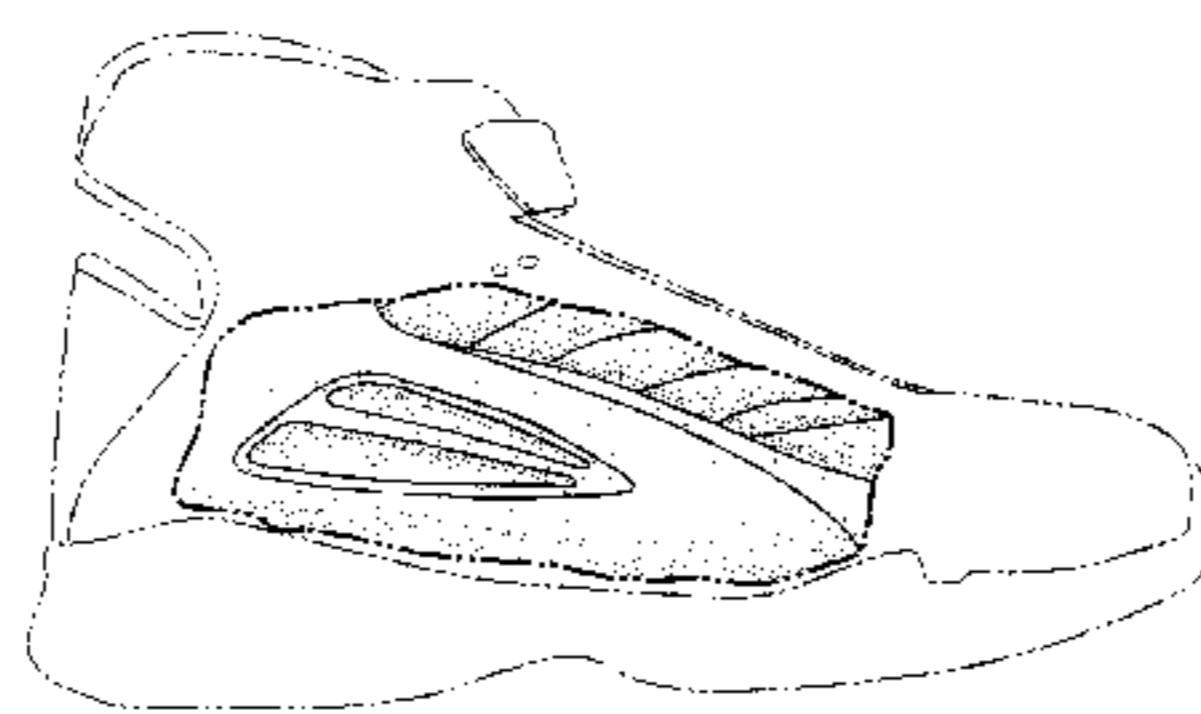
The ornamental design for a portion of a shoe upper, as shown and described.

**DESCRIPTION**

FIG. 1 is a perspective view of a portion of a shoe upper showing my new design;  
 FIG. 2 is a side view of the portion of a shoe upper shown in FIG. 1;  
 FIG. 3 is a front view of the portion of a shoe upper shown in FIG. 1;  
 FIG. 4 is a rear view of the portion of a shoe upper shown in FIG. 1; and,  
 FIG. 5 is a top view of the portion of a shoe upper shown in FIG. 1.

The uneven broken line immediately adjacent to the shaded area represent the bounds of the claimed design. All other uneven broken lines represent the remaining portion of the shoe. The uneven broken line representations in FIGS. 1-5 are for illustrative purposes only and form no part of the claimed design.

**1 Claim, 2 Drawing Sheets**



# US D528,774 S

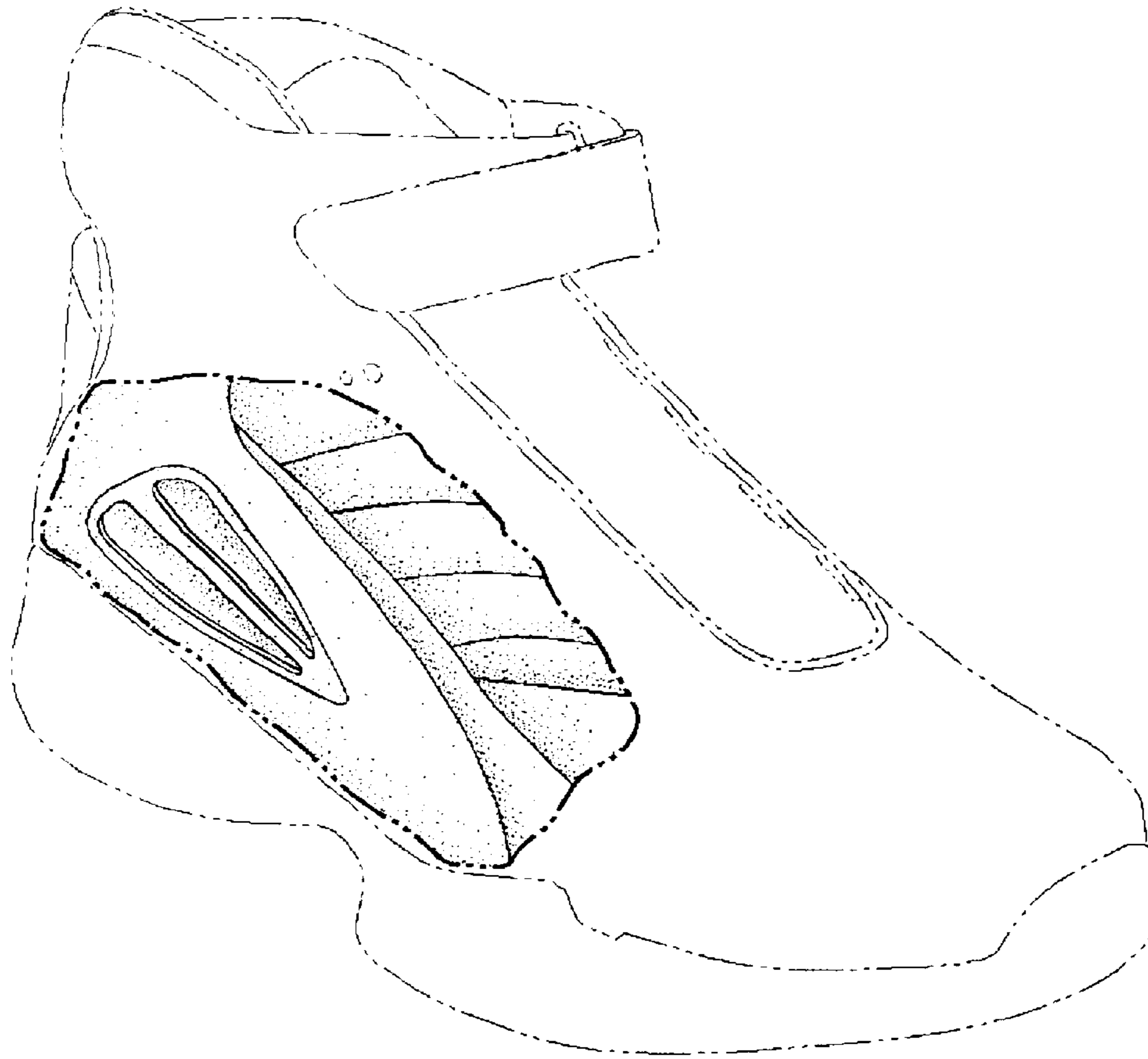
Page 2

---

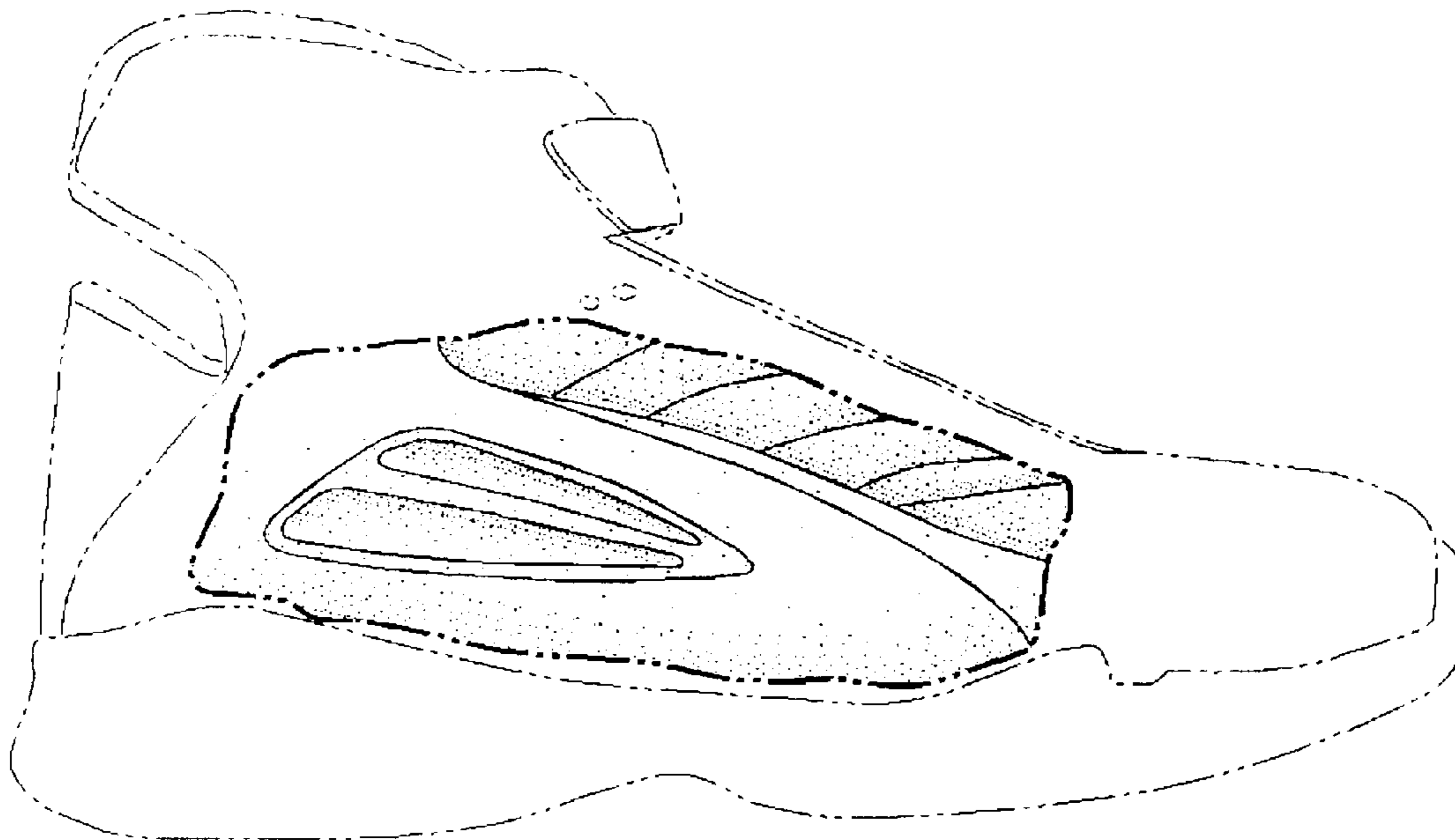
## U.S. PATENT DOCUMENTS

D483,935 S	12/2003	Kuerbis		D499,250 S	12/2004	Smith
D490,220 S	5/2004	Edauw		D505,007 S	5/2005	Morris
D490,221 S	5/2004	Edauw		D510,182 S	10/2005	Rask
D497,709 S	* 11/2004	Henderson	..... D2/972	D510,654 S	10/2005	Lupo
D498,044 S	11/2004	Morris		D511,243 S	11/2005	O'Connor

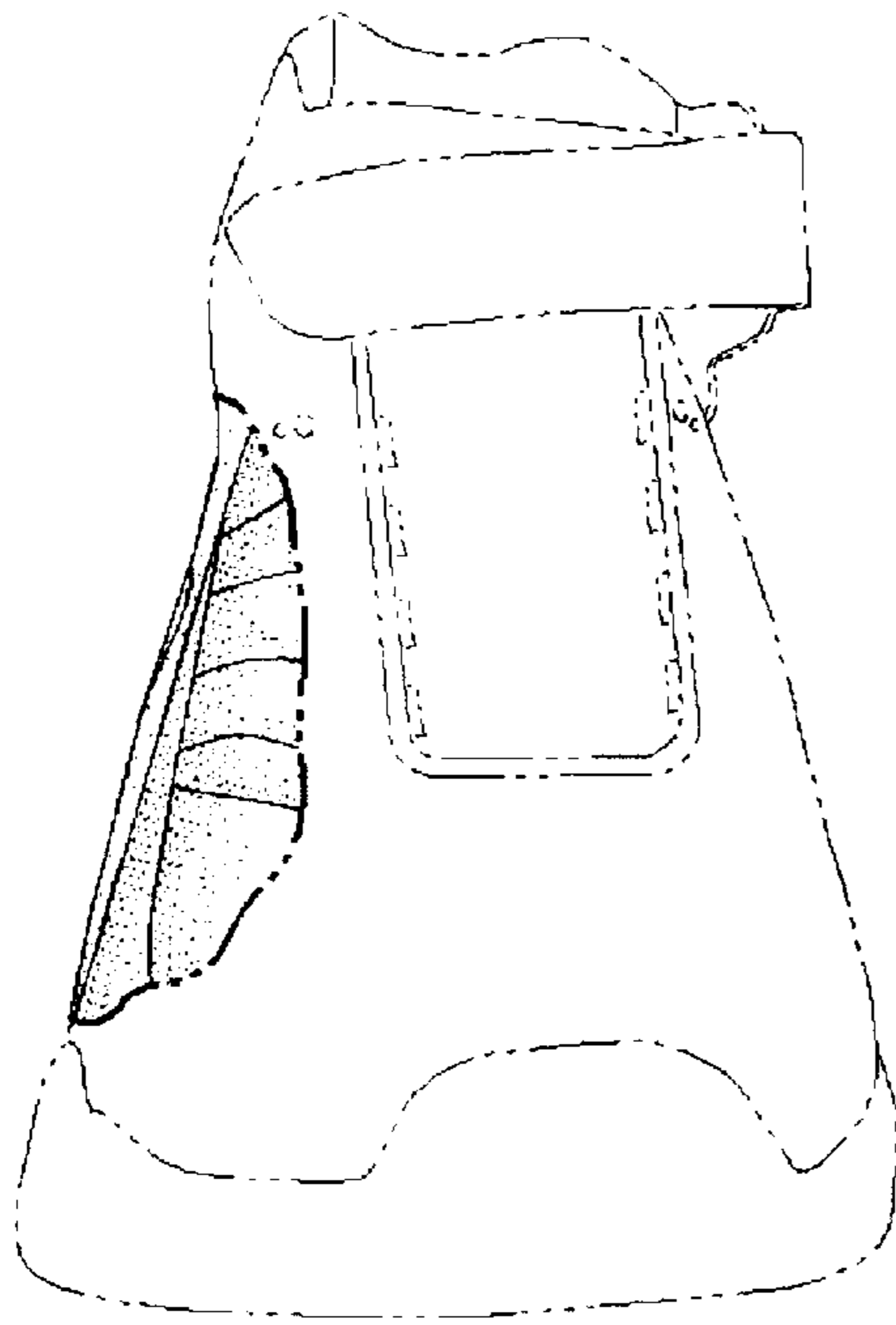
\* cited by examiner



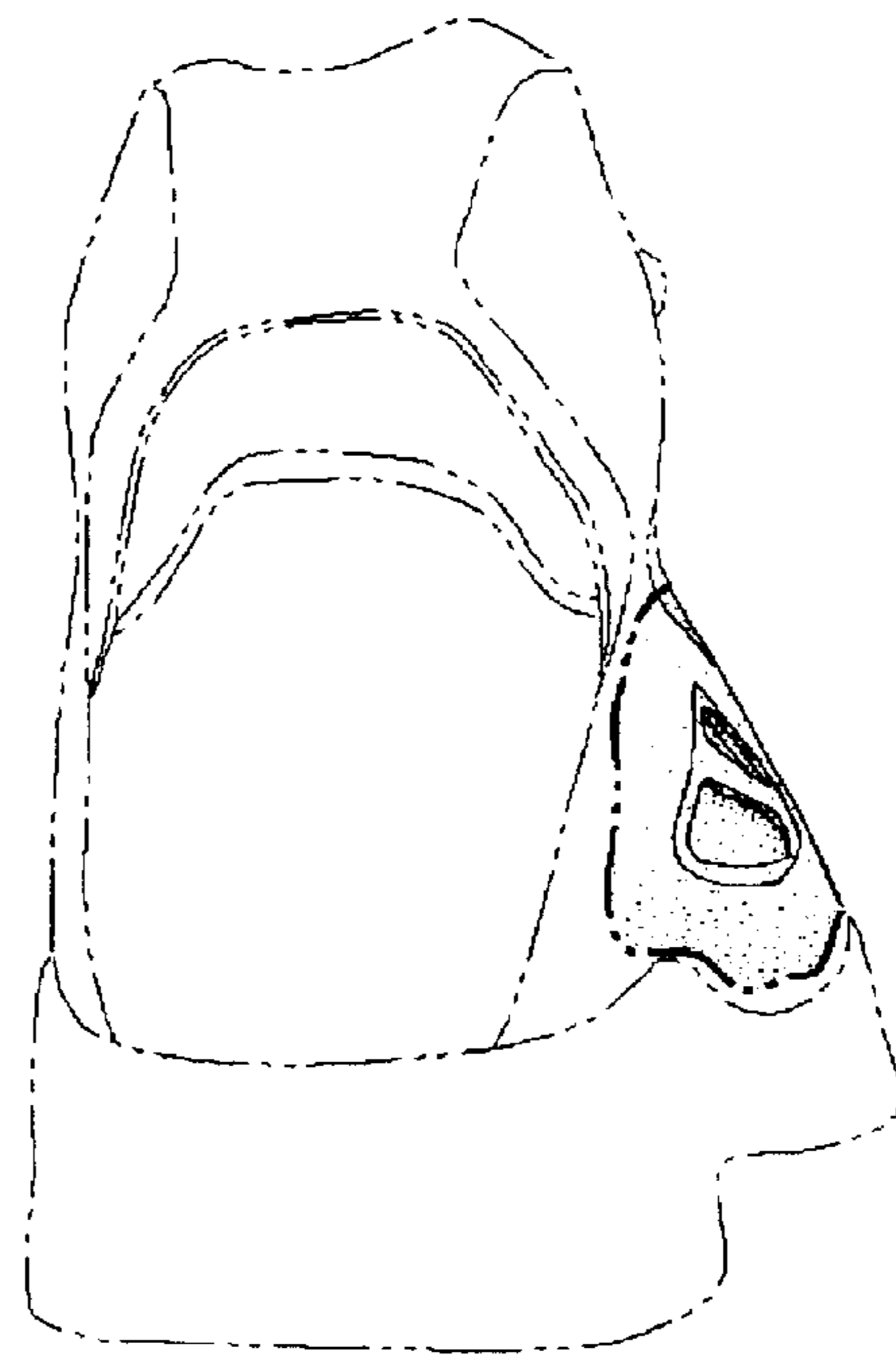
**FIG. 1**



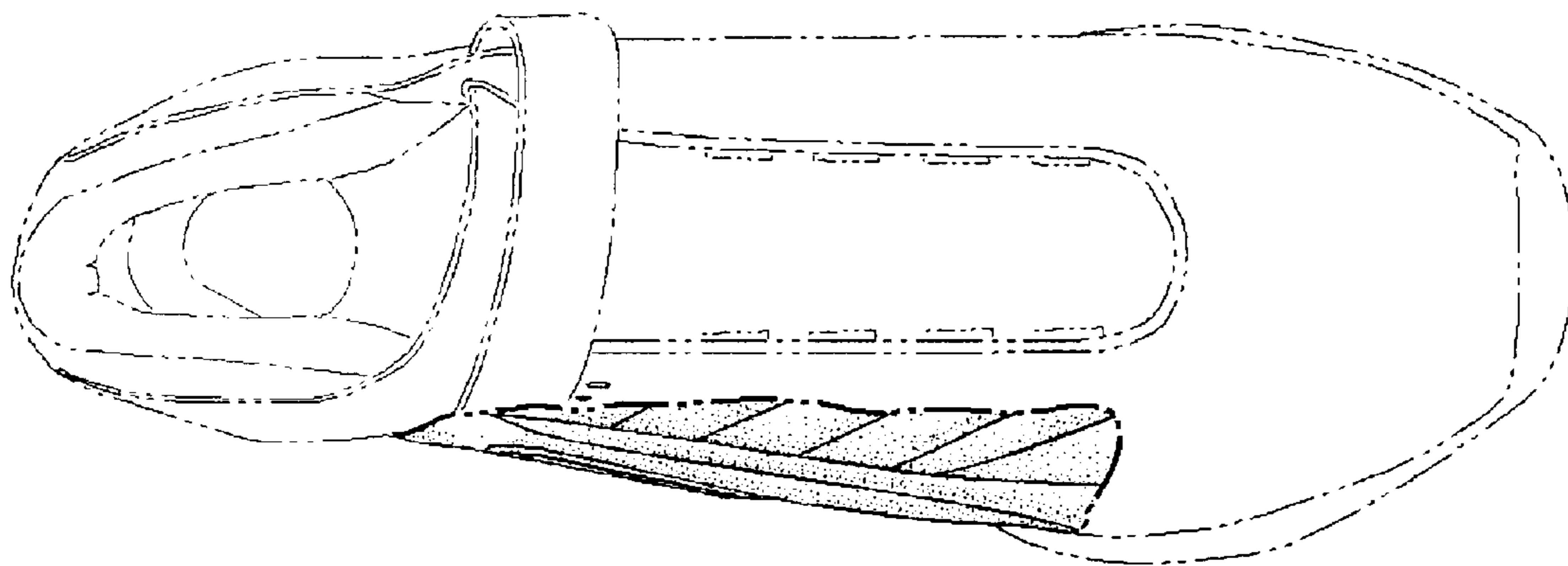
**FIG. 2**



**FIG. 3**



**FIG. 4**



**FIG. 5**