



US00D528745S

(12) **United States Design Patent**
Larson

(10) **Patent No.:** **US D528,745 S**

(45) **Date of Patent:** **** Sep. 26, 2006**

(54) **PORTION OF AN ARTICLE OF FOOTWEAR**

(75) Inventor: **Leah Larson**, Santa Barbara, CA (US)

(73) Assignee: **Deckers Outdoor Corporation**, Goleta, CA (US)

(**) Term: **14 Years**

(21) Appl. No.: **29/238,407**

(22) Filed: **Sep. 15, 2005**

(51) **LOC (8) Cl.** **02-04**

(52) **U.S. Cl.** **D2/910**

(58) **Field of Classification Search** D2/910,
D2/904, 909, 912, 969; D21/760, 762, 763;
36/83, 113–115, 117.1

See application file for complete search history.

(56) **References Cited**

U.S. PATENT DOCUMENTS

1,289,341	A	*	12/1918	Wirsching	36/1
D277,615	S	*	2/1985	Gamm	D2/912
D291,020	S	*	7/1987	Gamm	D2/970
D356,664	S	*	3/1995	Cesaretti	D2/905
D378,010	S	*	2/1997	Isenberg	D2/946
D404,546	S	*	1/1999	Isenberg	D2/946

OTHER PUBLICATIONS

2 photos of ‘cargo-style’ pants, believed publicly available circa 2003. (one picture of entire pants and one picture of pocket on pant seat).

* cited by examiner

Primary Examiner—Stella Reid
Assistant Examiner—Rashida C. McCoy

(74) *Attorney, Agent, or Firm*—Greer, Burns & Crain, Ltd.

(57) **CLAIM**

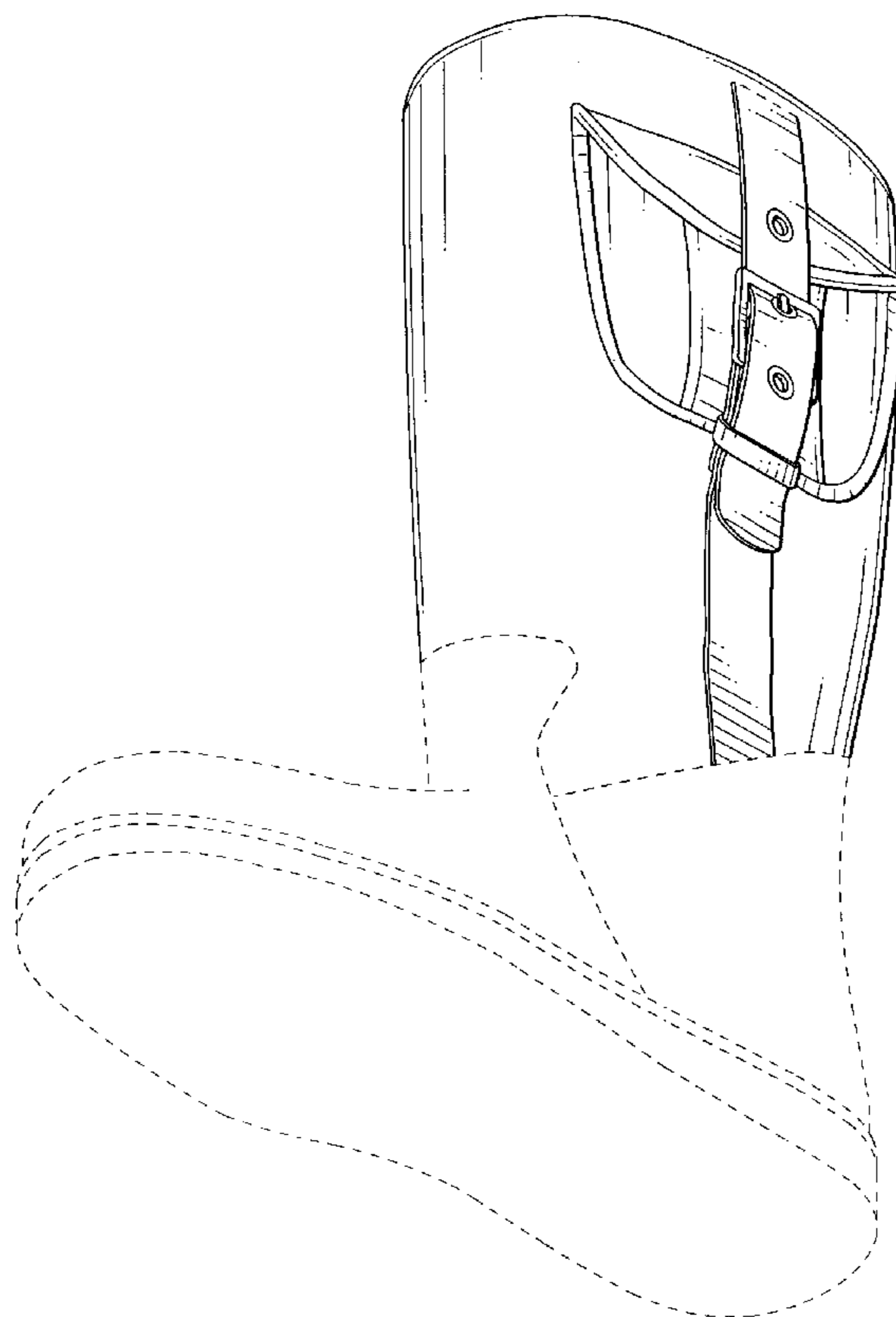
The ornamental design for a portion of an article of footwear, as shown and described.

DESCRIPTION

FIG. 1 is a perspective view of a portion of an article of footwear showing my new design;
FIG. 2 is a lateral side elevational view thereof;
FIG. 3 is a medial side elevational view thereof;
FIG. 4 is a front elevational view thereof;
FIG. 5 is a rear elevational view thereof;
FIG. 6 is a top plan view thereof; and,
FIG. 7 is a bottom plan view thereof.

The broken lines shown in FIGS. 1–7 immediately adjacent the shaded areas represent the bounds of the claimed design while all other broken lines are directed to environment and are for illustrative purposes only; the broken lines form no part of the claimed design.

1 Claim, 6 Drawing Sheets



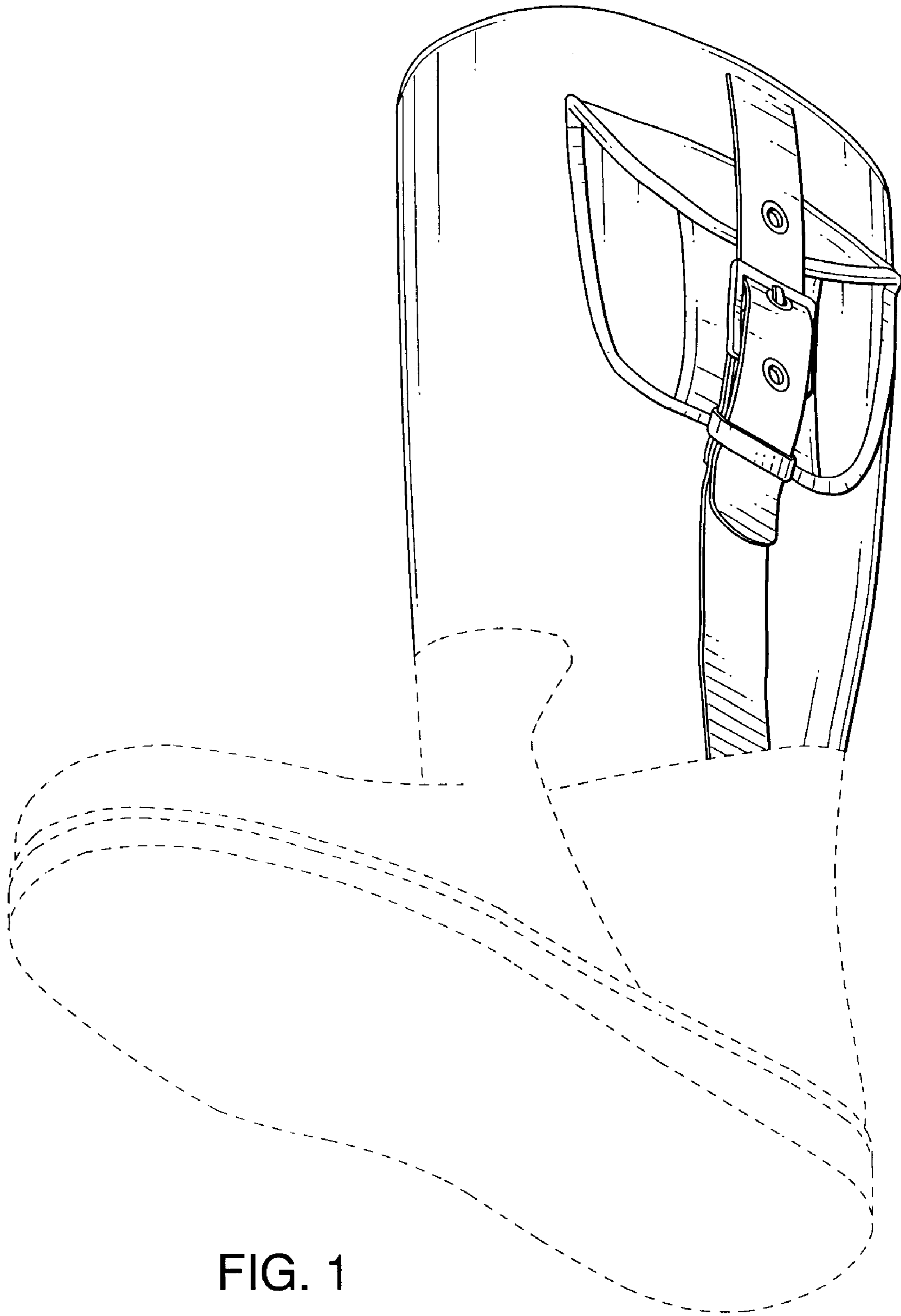


FIG. 1

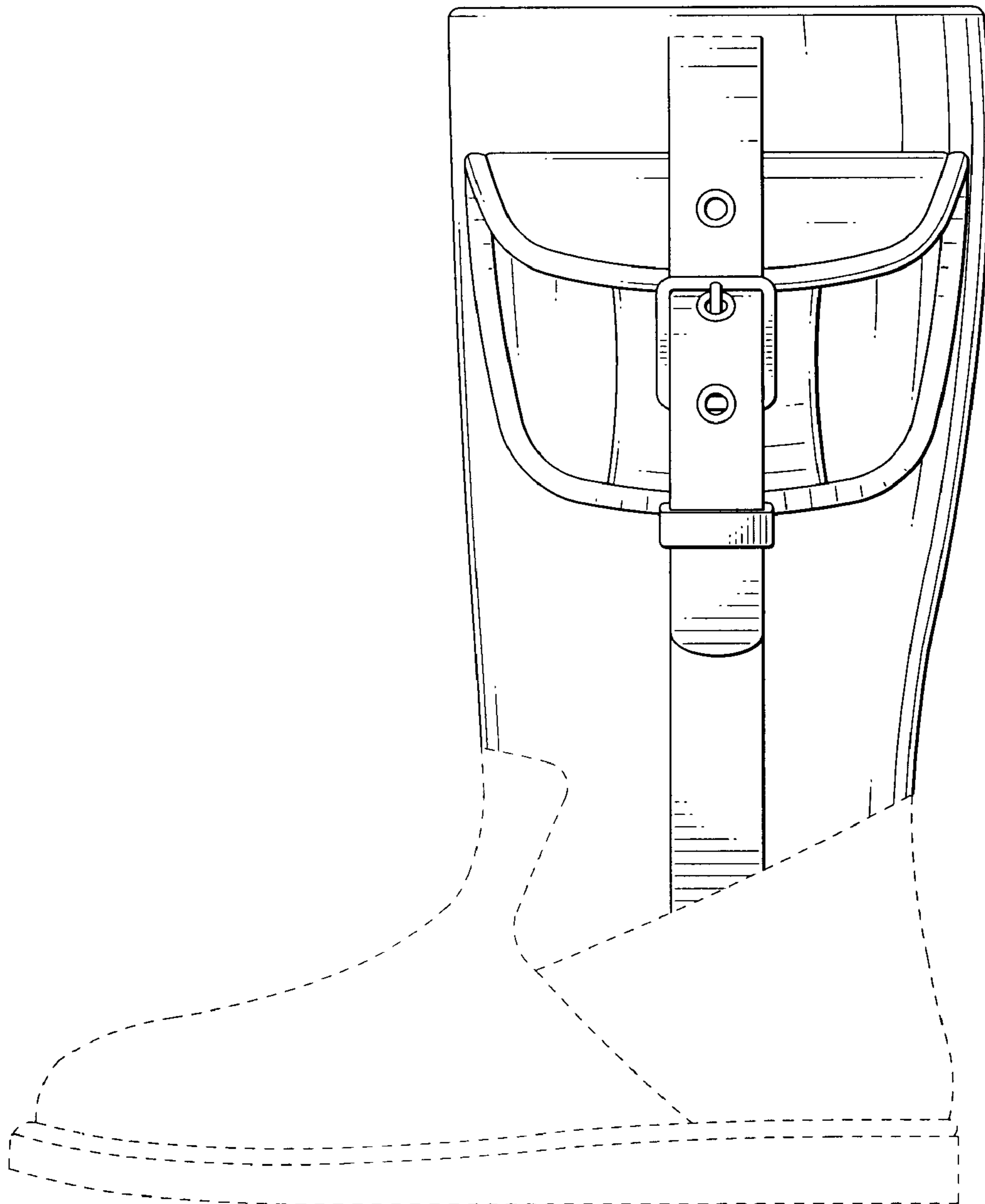


FIG. 2

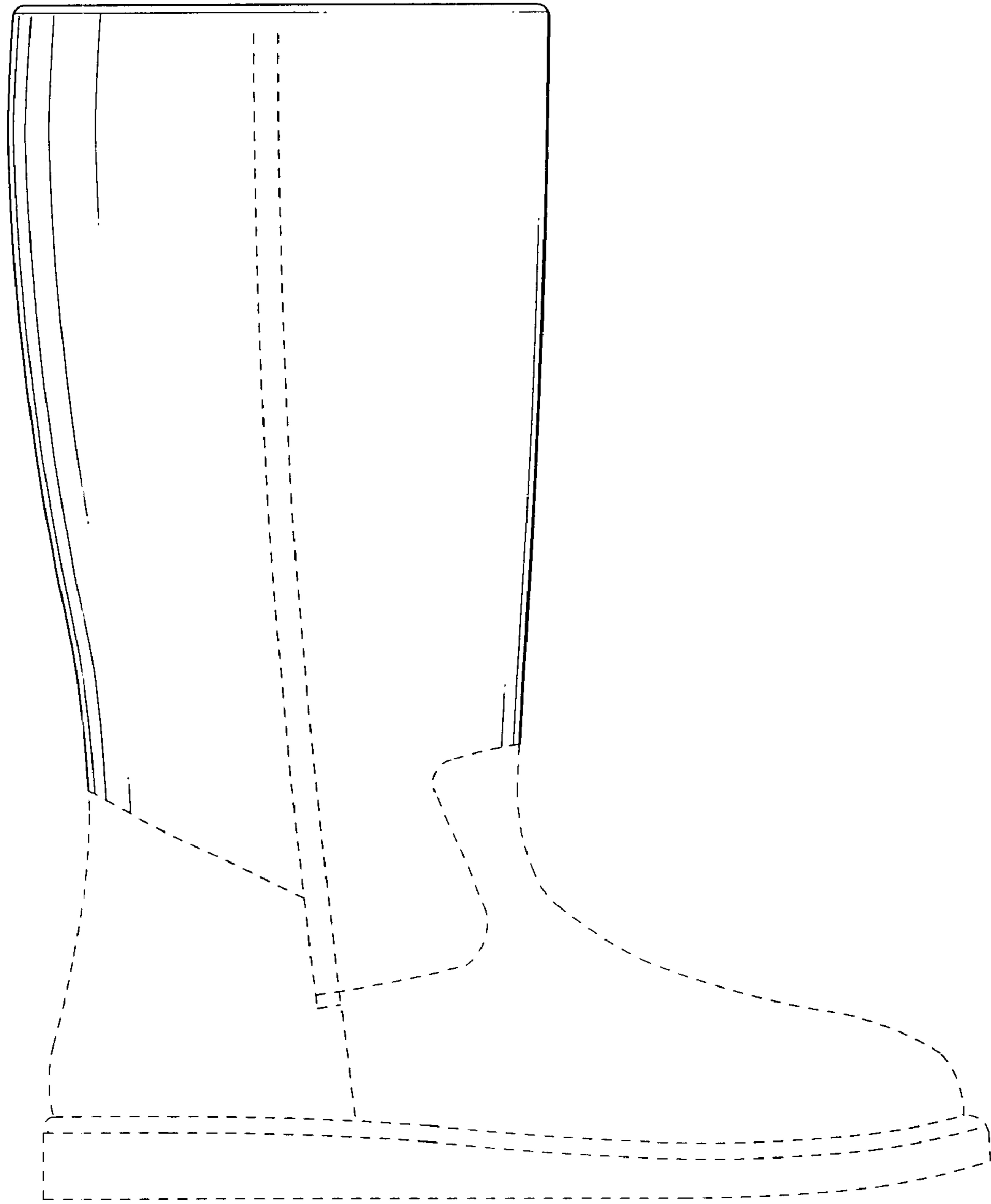


FIG. 3

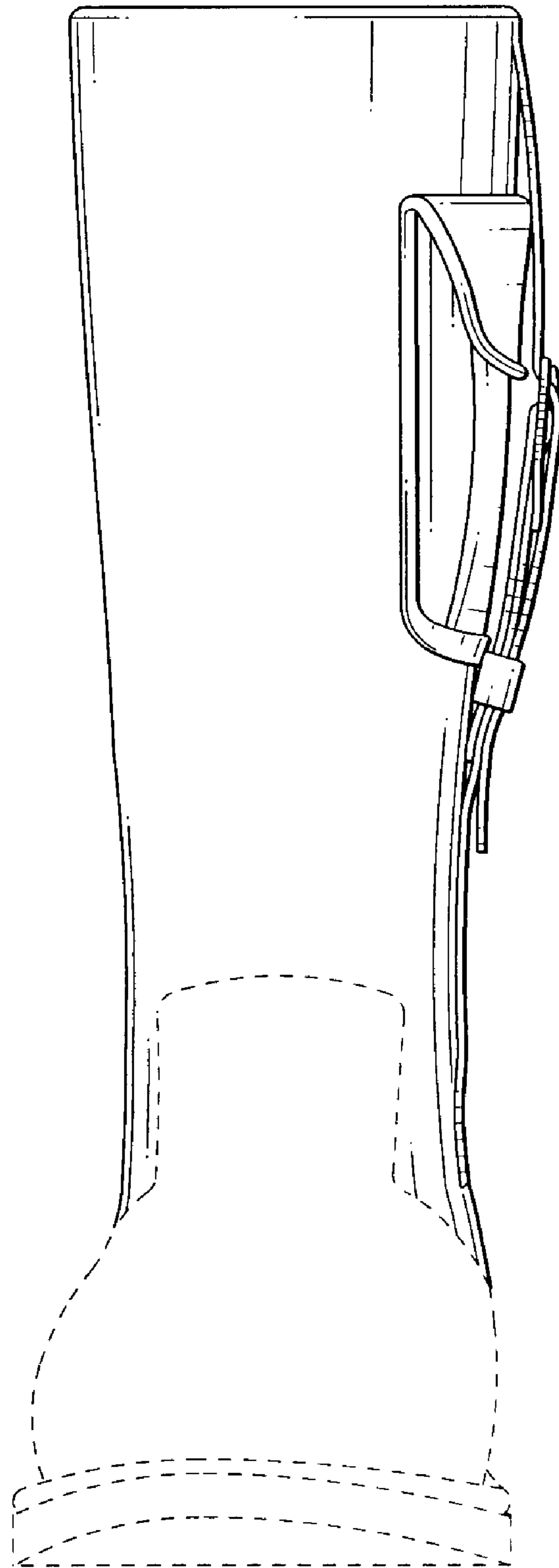


FIG. 4

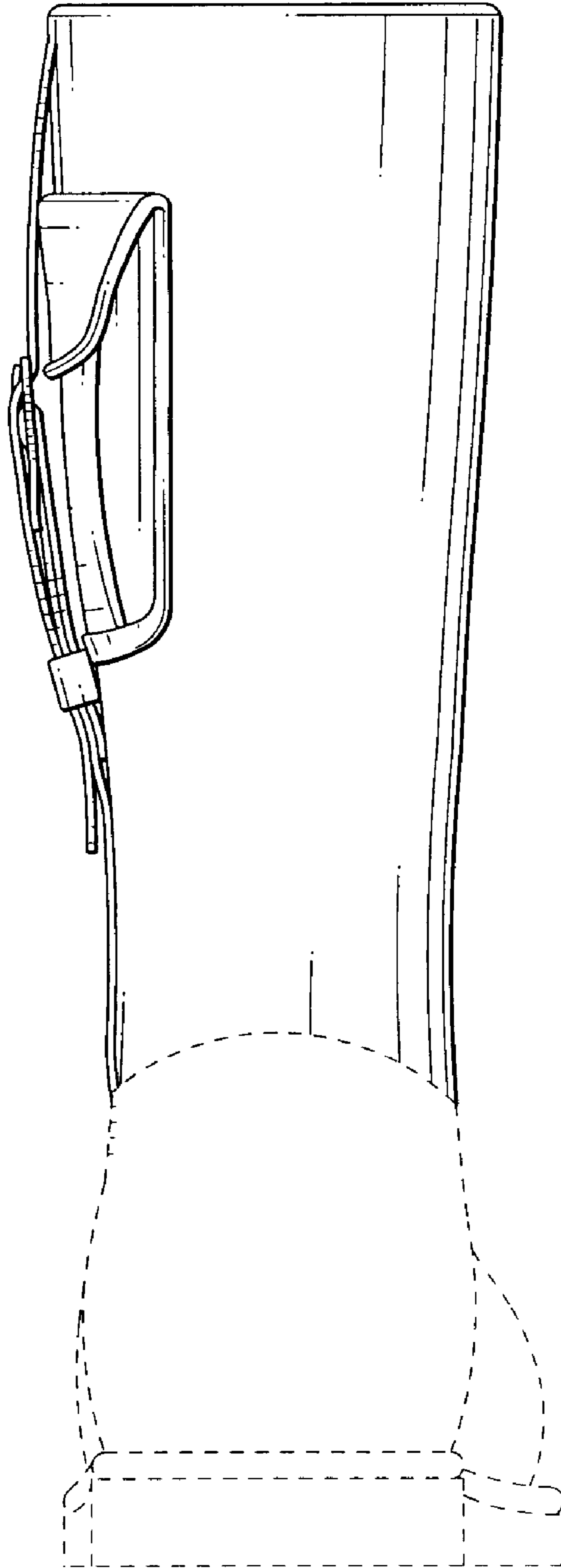


FIG. 5

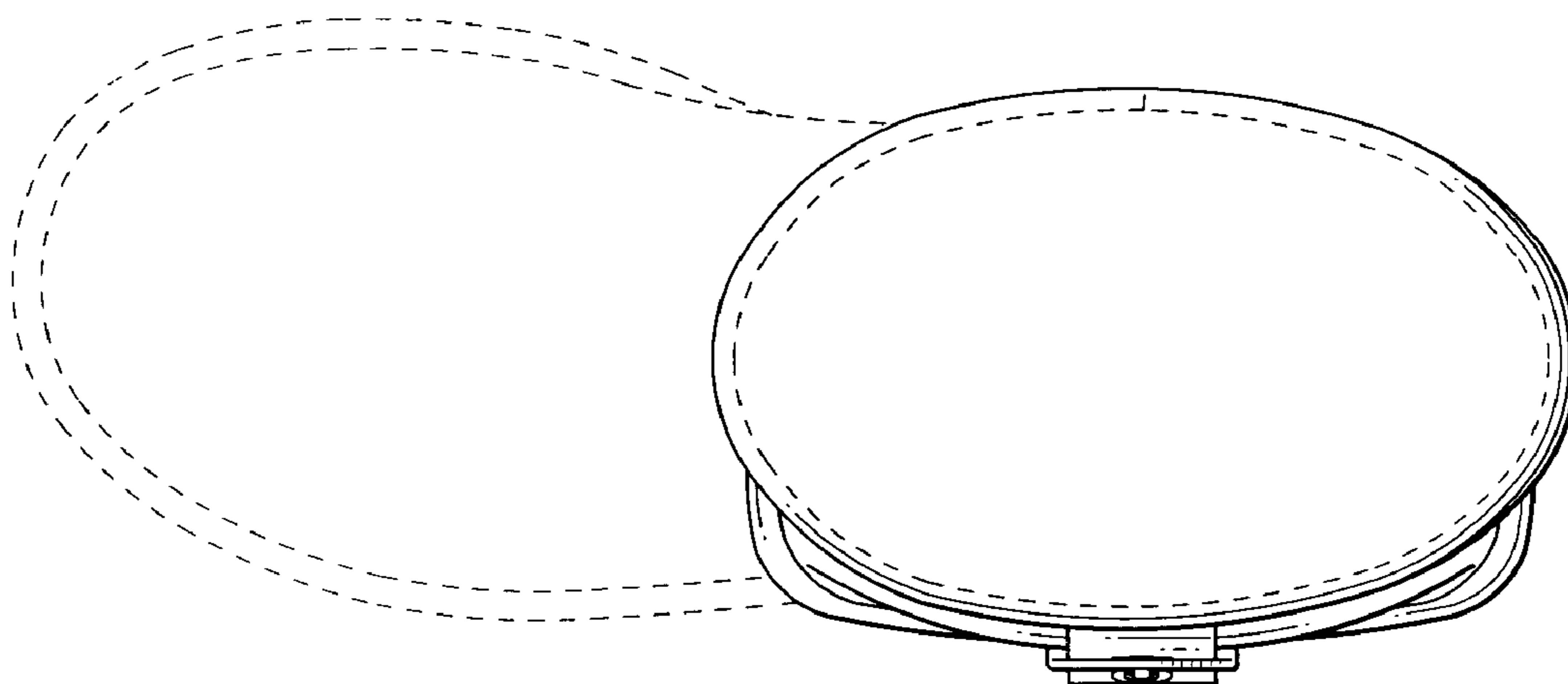


FIG. 6

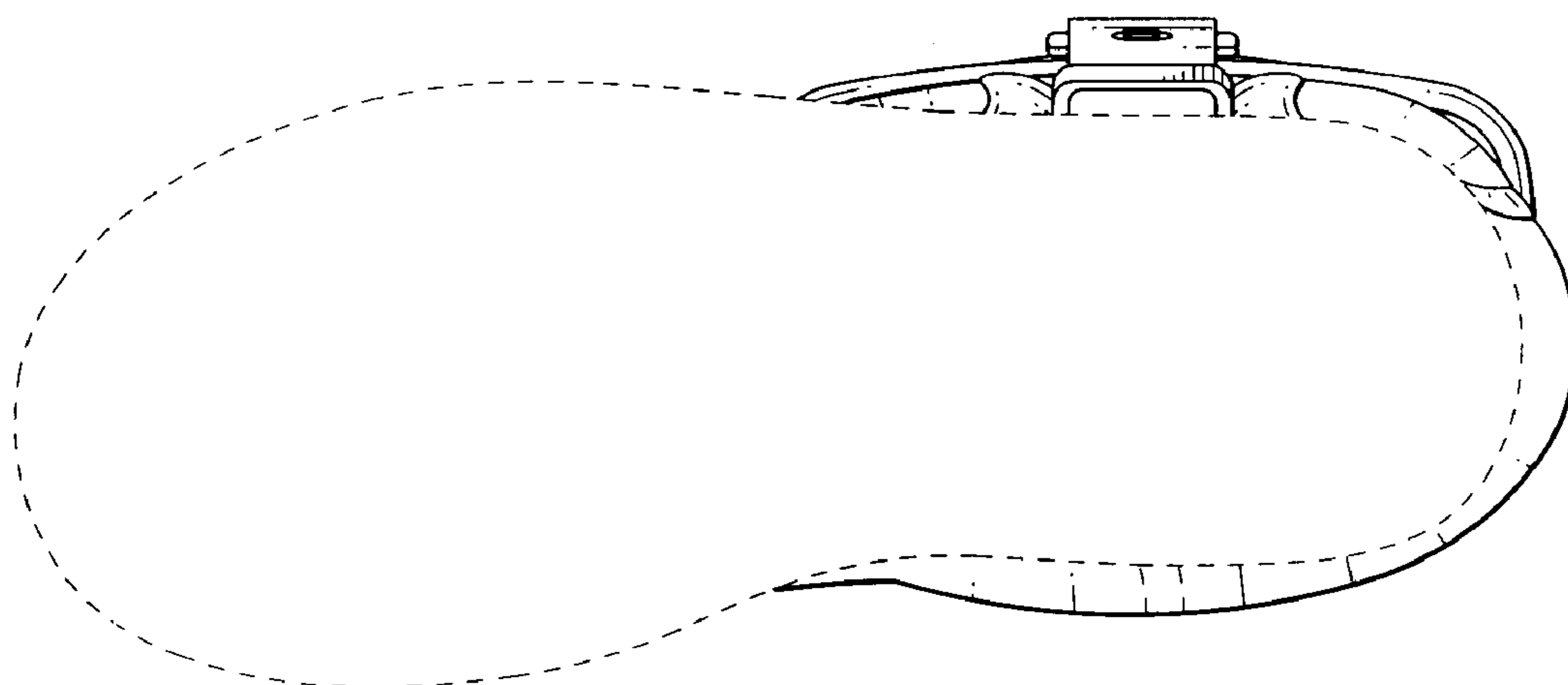


FIG. 7