

US00D528735S

(12) **United States Design Patent** (10) **Patent No.:** **US D528,735 S**
Osiecki et al. (45) **Date of Patent:** **** Sep. 19, 2006**

(54) **FILL PORT FOR AN ENCLOSURE**
(75) Inventors: **Scott W. Osiecki**, Skaneateles, NY
(US); **Garth R. Gibby**, Syracuse, NY
(US); **David A. Nowicky**, Fairport, NY
(US)

(73) Assignee: **John D. Brush & Co., Inc.**, Rochester,
NY (US)

(**) Term: **14 Years**

(21) Appl. No.: **29/221,849**

(22) Filed: **Jan. 21, 2005**

Related U.S. Application Data

(63) Continuation-in-part of application No. 29/213,937, filed on
Sep. 24, 2004.

(51) **LOC (8) Cl.** **99-00**

(52) **U.S. Cl.** **D99/43**

(58) **Field of Classification Search** D99/28,
D99/43; D6/432, 448, 494, 509, 510; 109/59 R;
312/330.1; D3/273; 70/452; 232/4 R, 43.1;
16/412, 416; D8/313
See application file for complete search history.

(56) **References Cited**

U.S. PATENT DOCUMENTS

D195,470 S * 6/1963 Knoll D6/494
D200,962 S * 4/1965 McCarthy D6/494
D225,604 S * 12/1972 Miyoshi D6/494
4,541,545 A 9/1985 Beattie

4,586,762 A * 5/1986 Kennedy et al. 312/330.1
D328,399 S * 8/1992 McGrory et al. D6/448
5,295,447 A 3/1994 Robbins
5,377,514 A * 1/1995 Robbins et al. 70/452
6,269,966 B1 8/2001 Pallo et al.
D474,596 S * 5/2003 Osiecki et al. D3/273
6,668,736 B1 12/2003 Pallo
D503,255 S * 3/2005 Lynch et al. D99/43

* cited by examiner

Primary Examiner—Paula A. Greene

(74) *Attorney, Agent, or Firm*—Jaeckle Fleischman &
Mugel, LLP

(57) **CLAIM**

The fill port for an enclosure, as shown and described.

DESCRIPTION

FIG. 1 is a front perspective view of our new ornamental
design for a fill port for an enclosure according to the present
invention;

FIG. 2 is a front view of the ornamental design shown in
FIG. 1;

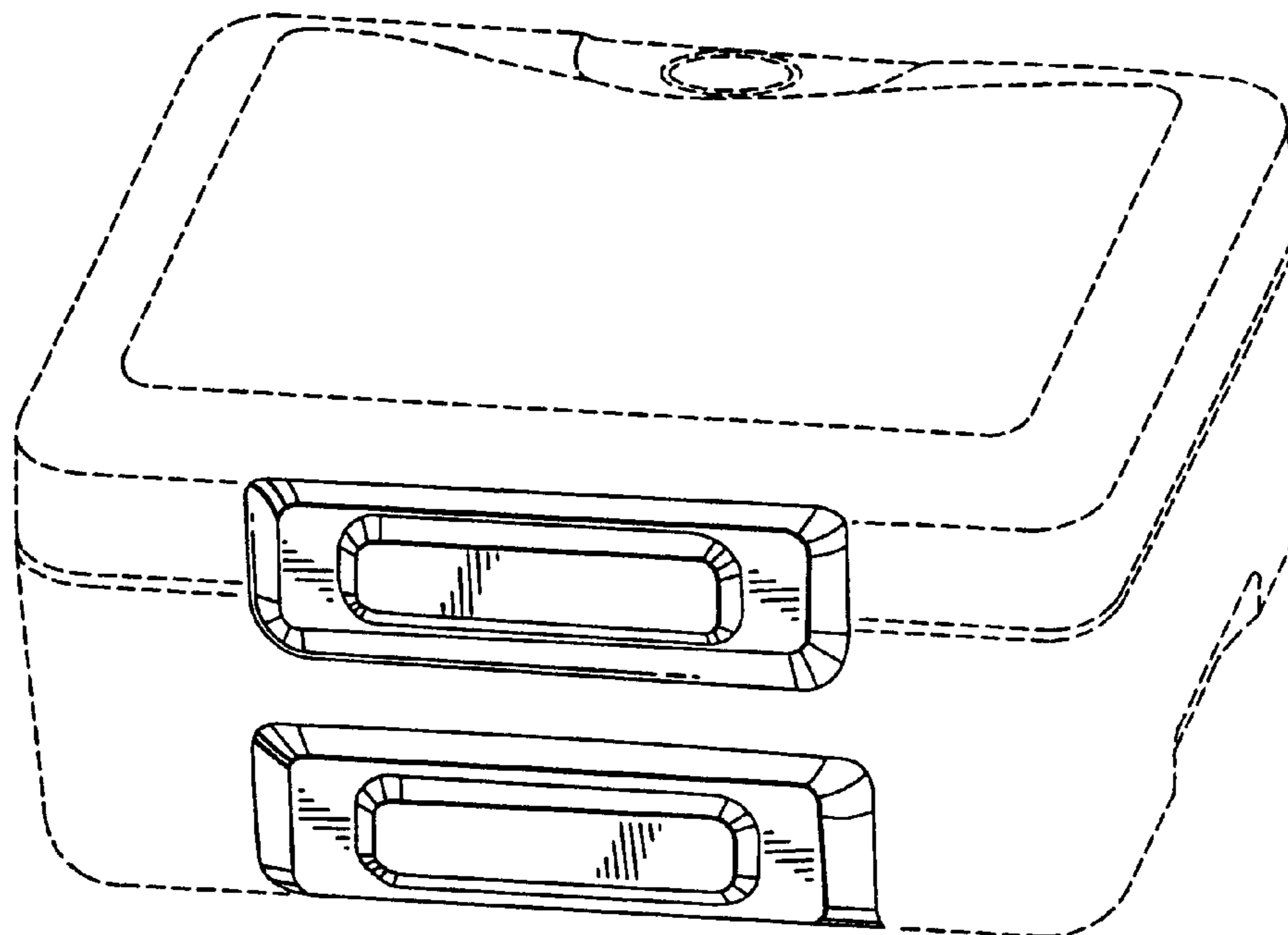
FIG. 3 is a top view of the ornamental design shown in FIG.
1;

FIG. 4 is a bottom view of the ornamental design shown in
FIG. 1; and,

FIG. 5 is a right side view of the ornamental design shown
in FIG. 1.

The broken lines showing other portions of the enclosure in
FIGS. 1–5 are for illustrative purposes and form no part of
the claimed design.

1 Claim, 3 Drawing Sheets



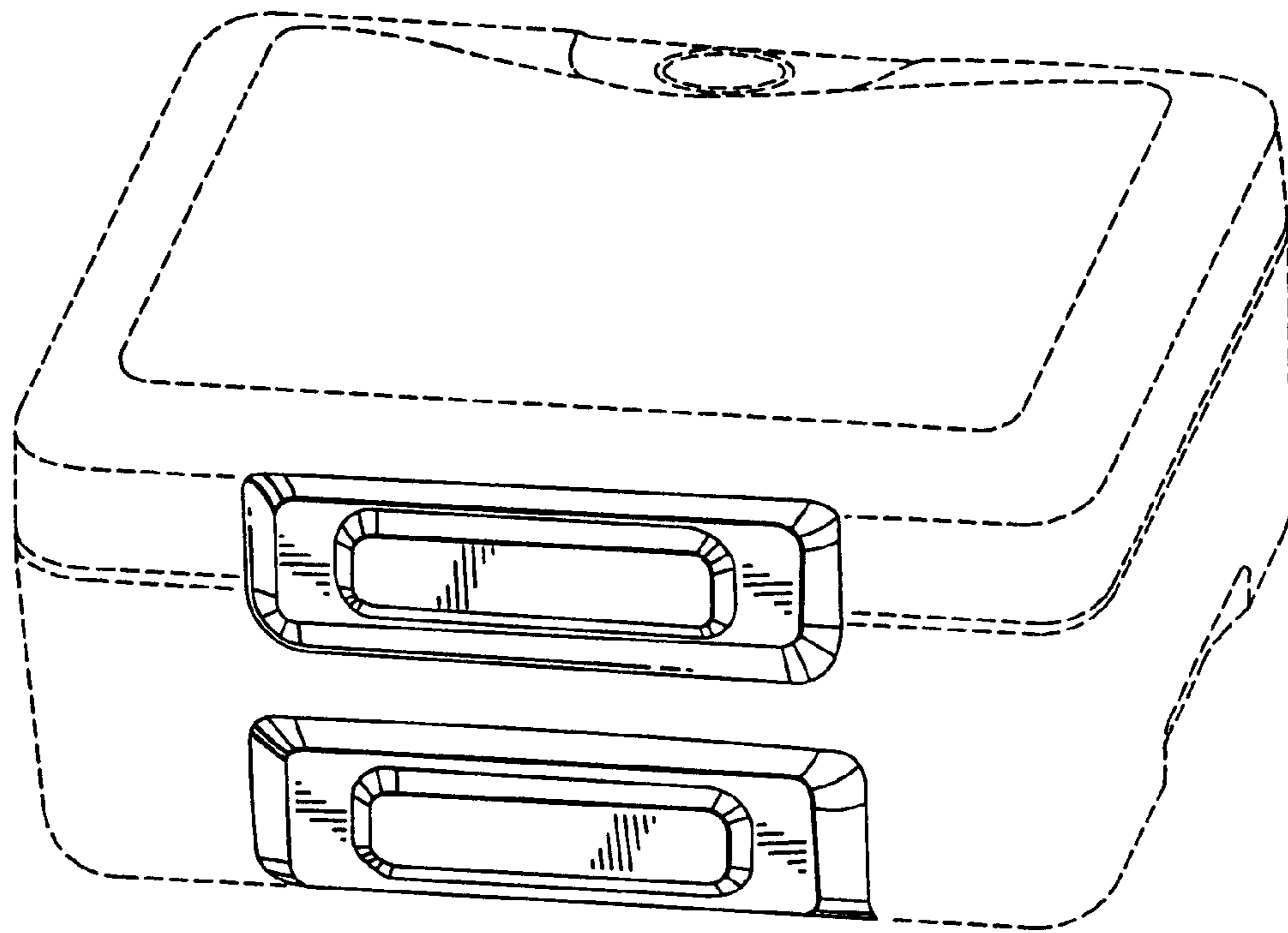


FIG. 1.

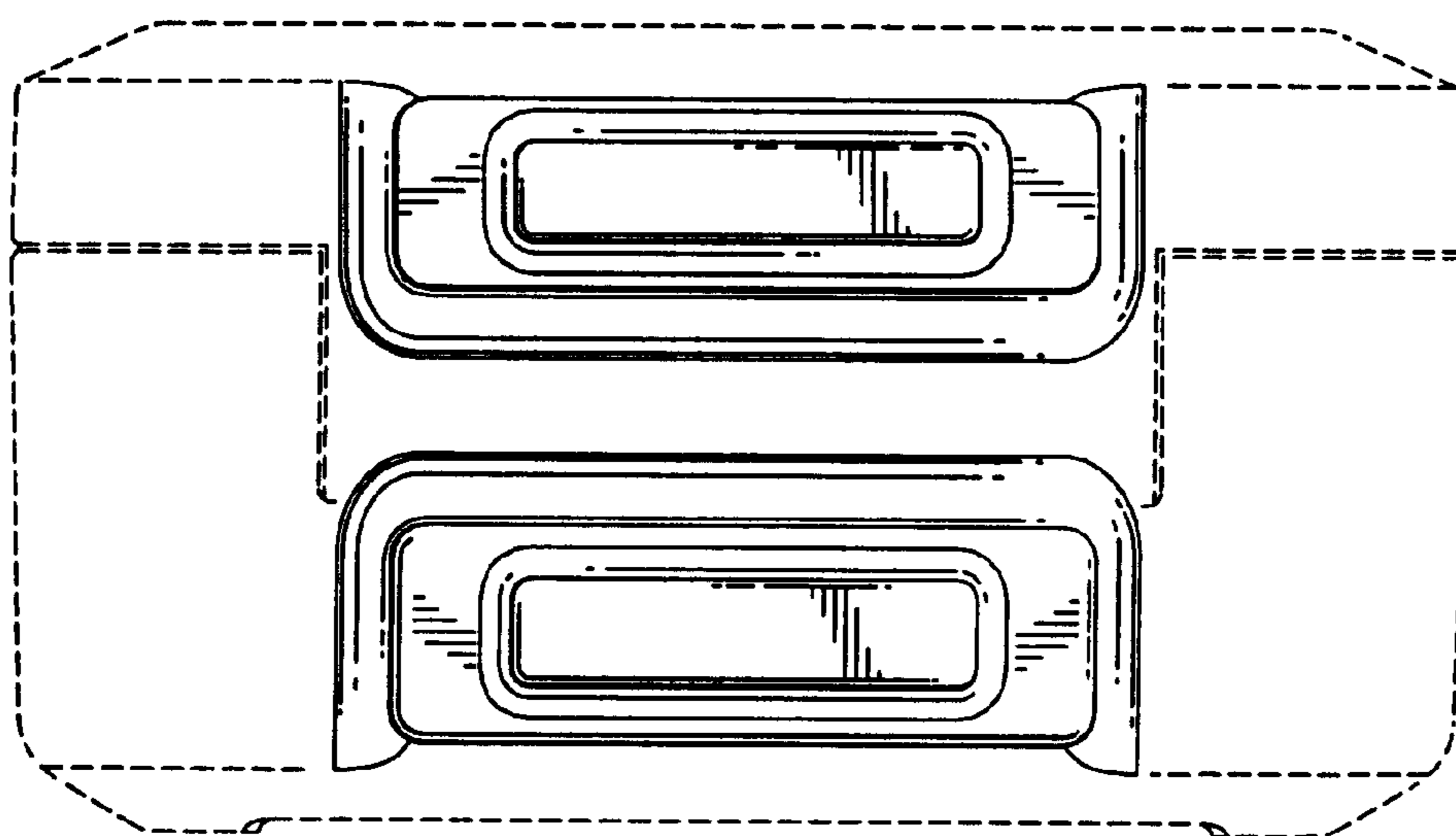


FIG. 2.

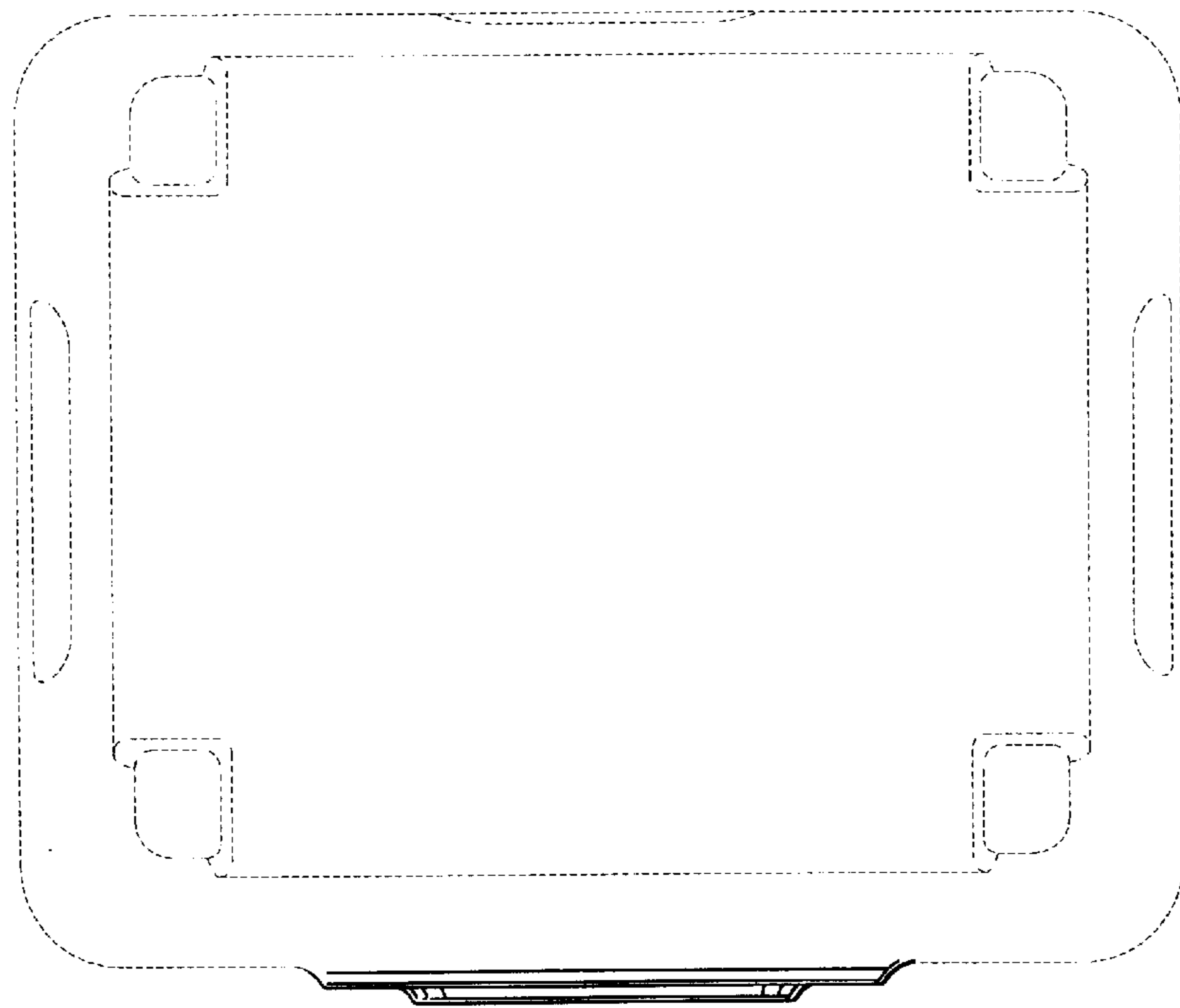


FIG. 4.

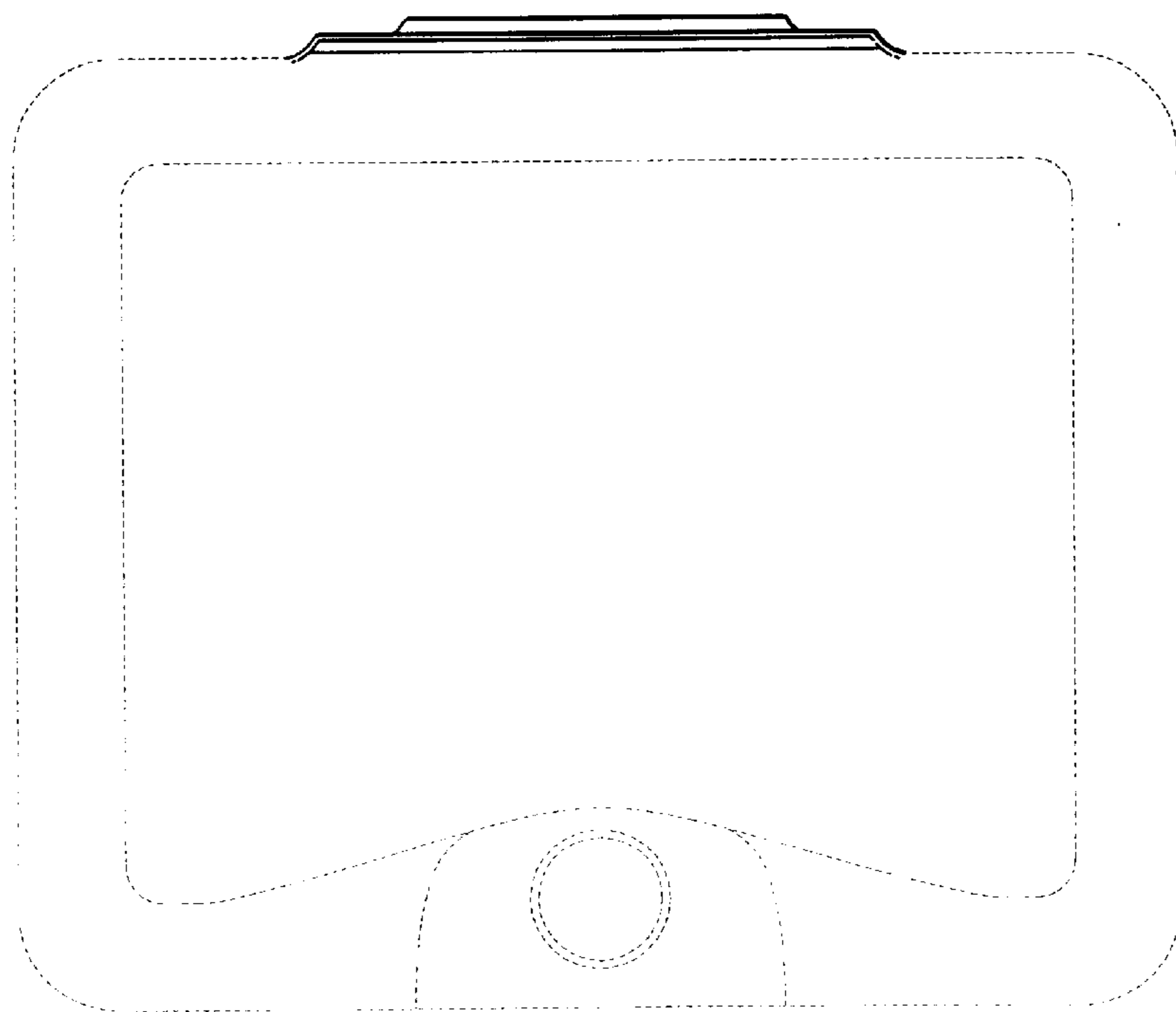


FIG. 3.

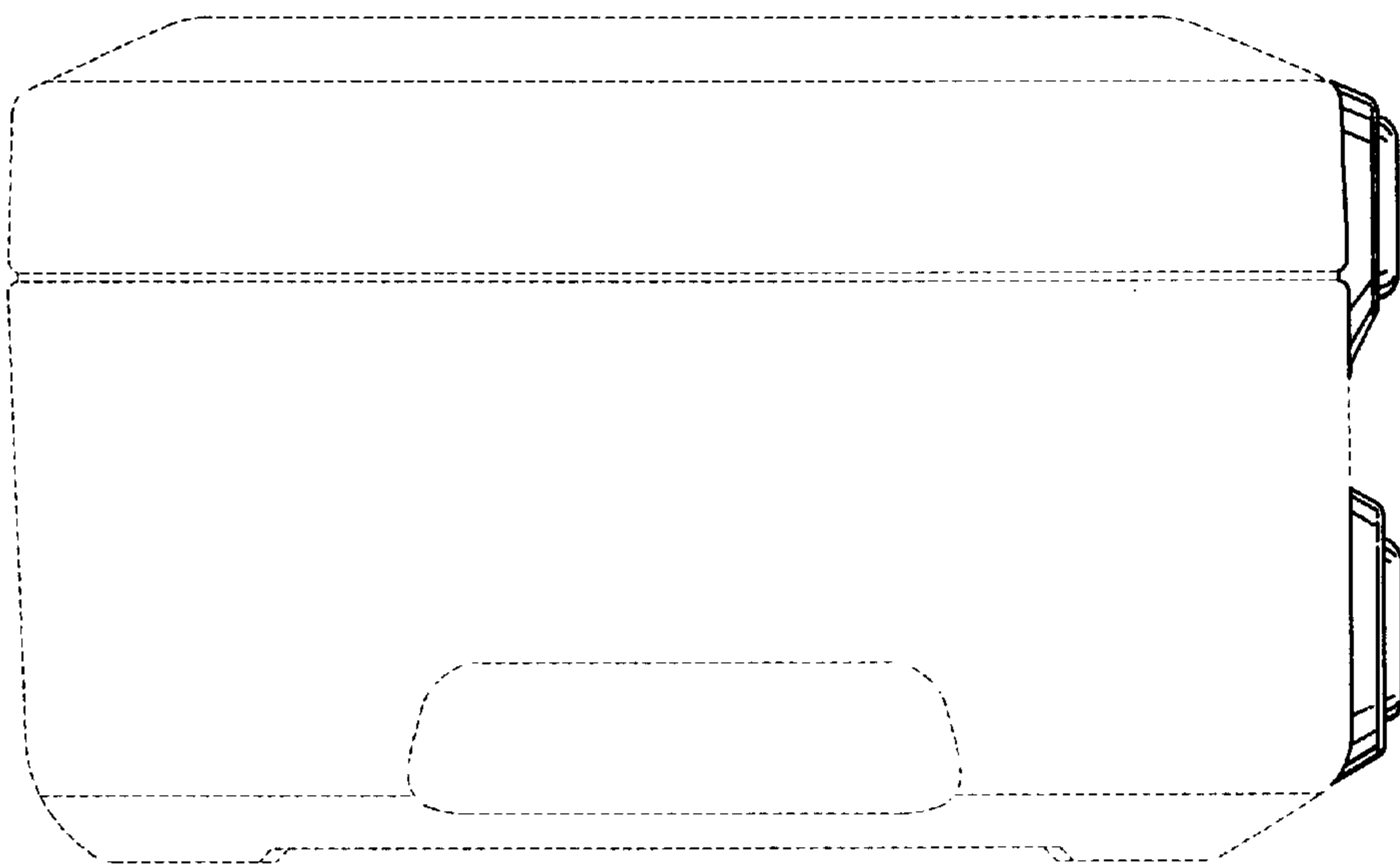


FIG. 5.