



US00D528731S

(12) **United States Design Patent**
Cragg et al.

(10) **Patent No.: US D528,731 S**

(45) **Date of Patent: ** Sep. 19, 2006**

(54) **CART**

(76) Inventors: **Brandon Cragg**, 3032 E. Commercial Blvd., Box 52, Fort Lauderdale, FL (US) 33308; **Marylee Slack**, 3032 E. Commercial Blvd., Box 52, Fort Lauderdale, FL (US) 33308

(**) **Term: 14 Years**

(21) **Appl. No.: 29/251,397**

(22) **Filed: Jan. 5, 2006**

(51) **LOC (8) Cl. 12-02**

(52) **U.S. Cl. D34/24**

(58) **Field of Classification Search** D34/12-27;
280/47.18, 655, 652, 47.29, 646, 5.2, 5.32,
280/654, 47.24, 47.16, 47.19, 79.5, 47.34;
D24/185

See application file for complete search history.

(56) **References Cited**

U.S. PATENT DOCUMENTS

| | | | | | | |
|-----------|---|---|---------|-----------------|-------|-----------|
| 2,778,515 | A | * | 1/1957 | Hanson | | 414/448 |
| 3,785,669 | A | * | 1/1974 | Doheny | | 280/47.18 |
| 4,281,849 | A | * | 8/1981 | Chandick et al. | | 280/655 |
| 4,299,403 | A | * | 11/1981 | Brewer et al. | | 280/47.29 |
| 4,458,914 | A | * | 7/1984 | Holtz | | 280/654 |
| 4,784,405 | A | * | 11/1988 | Stein | | 280/655 |
| 4,858,940 | A | * | 8/1989 | Cheng | | 280/5.2 |
| 5,127,664 | A | * | 7/1992 | Cheng | | 280/655 |

| | | | | | | |
|-----------|----|---|---------|---------------|-------|-----------|
| D339,442 | S | * | 9/1993 | Holtz | | D34/26 |
| D354,601 | S | * | 1/1995 | Dunkle | | D34/26 |
| 5,971,424 | A | * | 10/1999 | Ingalls | | 280/654 |
| D423,174 | S | * | 4/2000 | Burr | | D34/24 |
| 6,102,433 | A | * | 8/2000 | Stevens | | 280/646 |
| D465,634 | S | * | 11/2002 | Botzau et al. | | D34/24 |
| 6,588,775 | B1 | * | 7/2003 | Malone, Jr. | | 280/47.18 |
| D481,512 | S | * | 10/2003 | Lee | | D34/24 |

* cited by examiner

Primary Examiner—Alan P. Douglas

Assistant Examiner—Kevin K. Rudzinski

(74) *Attorney, Agent, or Firm*—Robert M. Downey, P.A.

(57) **CLAIM**

The ornamental design for a cart, as shown and described.

DESCRIPTION

FIG. 1 is a front elevational view of a cart showing our new design, wherein a bottom support portion is shown in a lowered position;

FIG. 2 is a rear elevational view thereof;

FIG. 3 is a right side elevational view thereof;

FIG. 4 is a left side elevational view thereof;

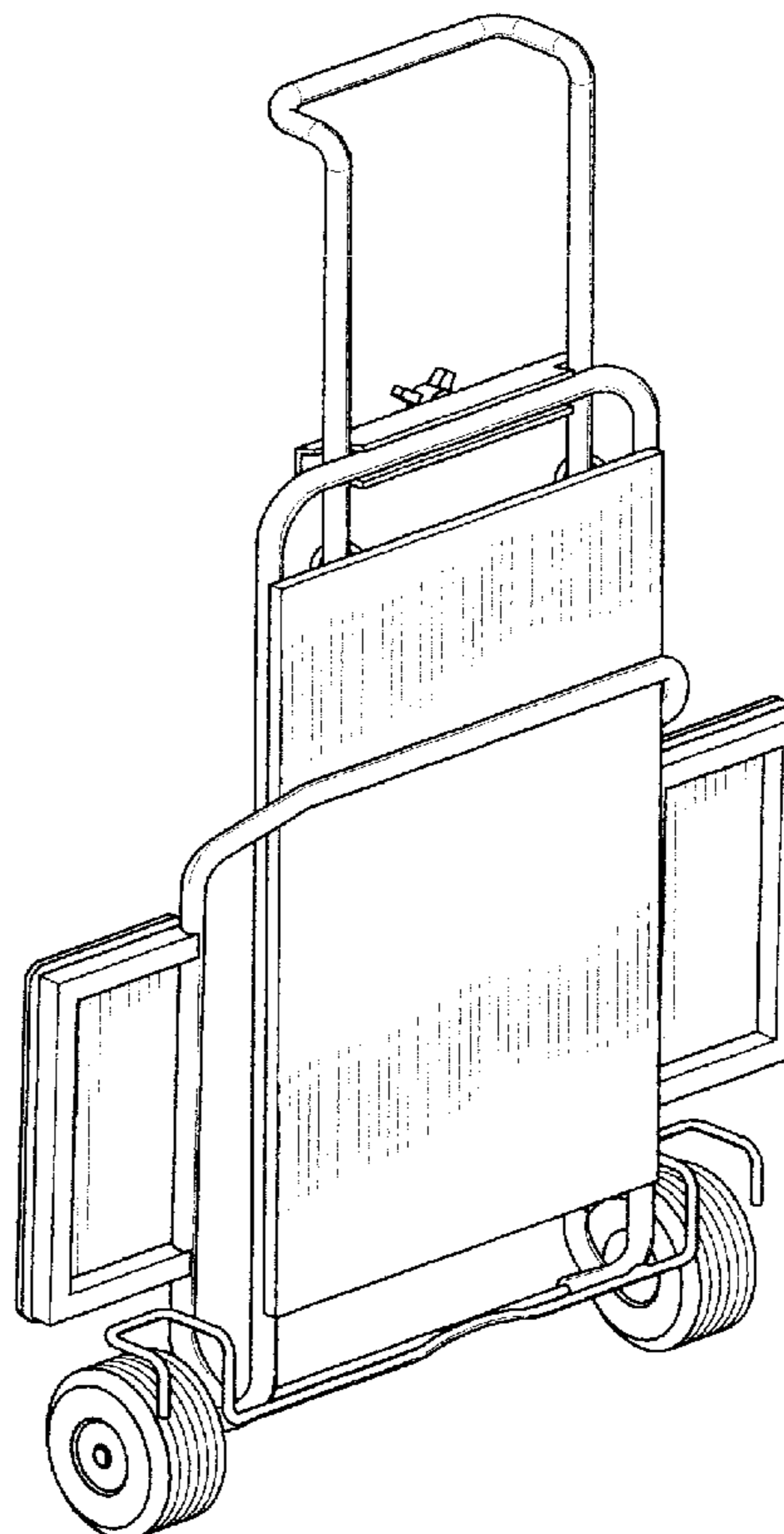
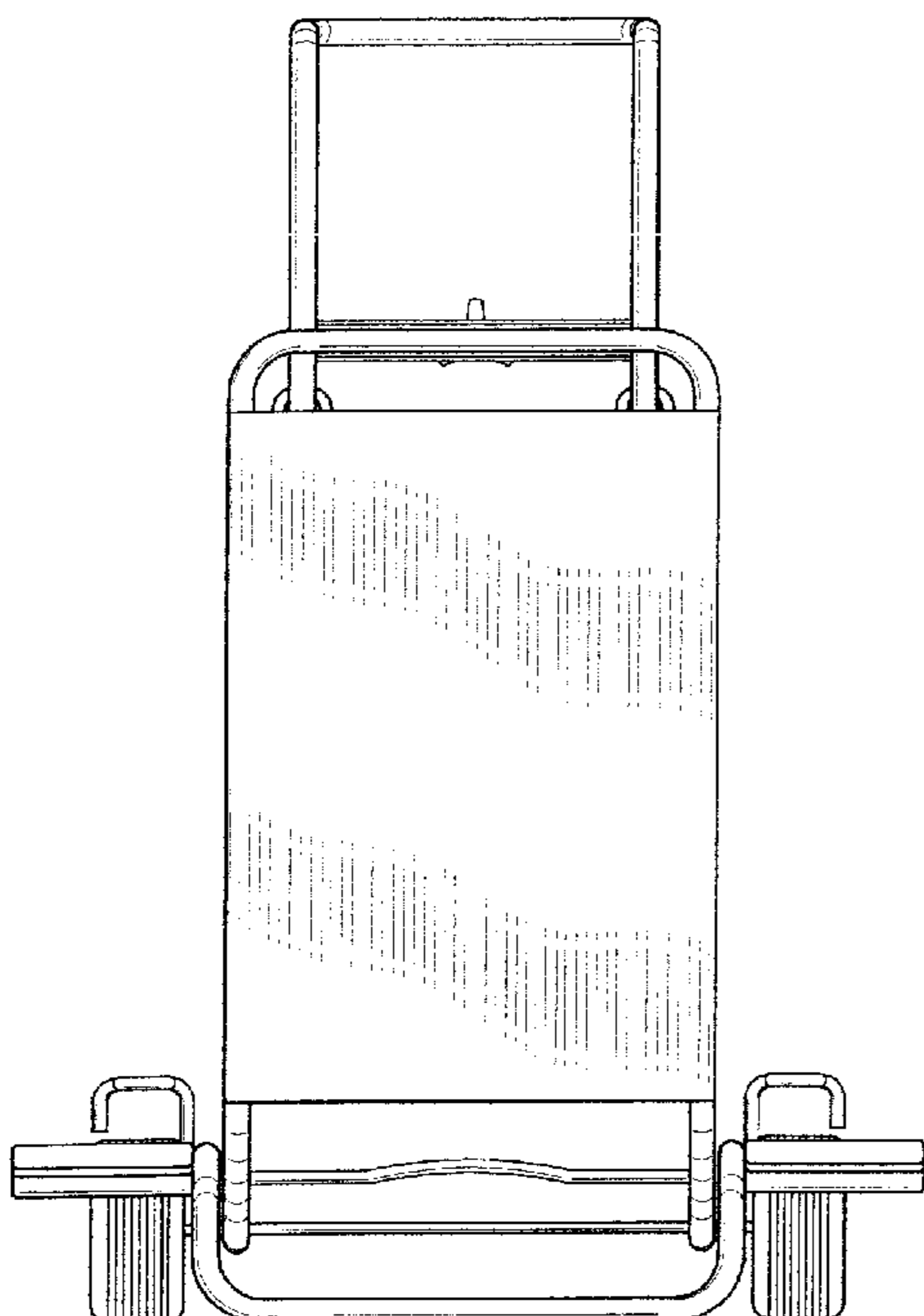
FIG. 5 is a top plan view thereof;

FIG. 6 is a bottom plan view thereof;

FIG. 7 is a front perspective view thereof; and,

FIG. 8 is a front perspective view thereof wherein the bottom support portion is shown in a raised position.

1 Claim, 4 Drawing Sheets



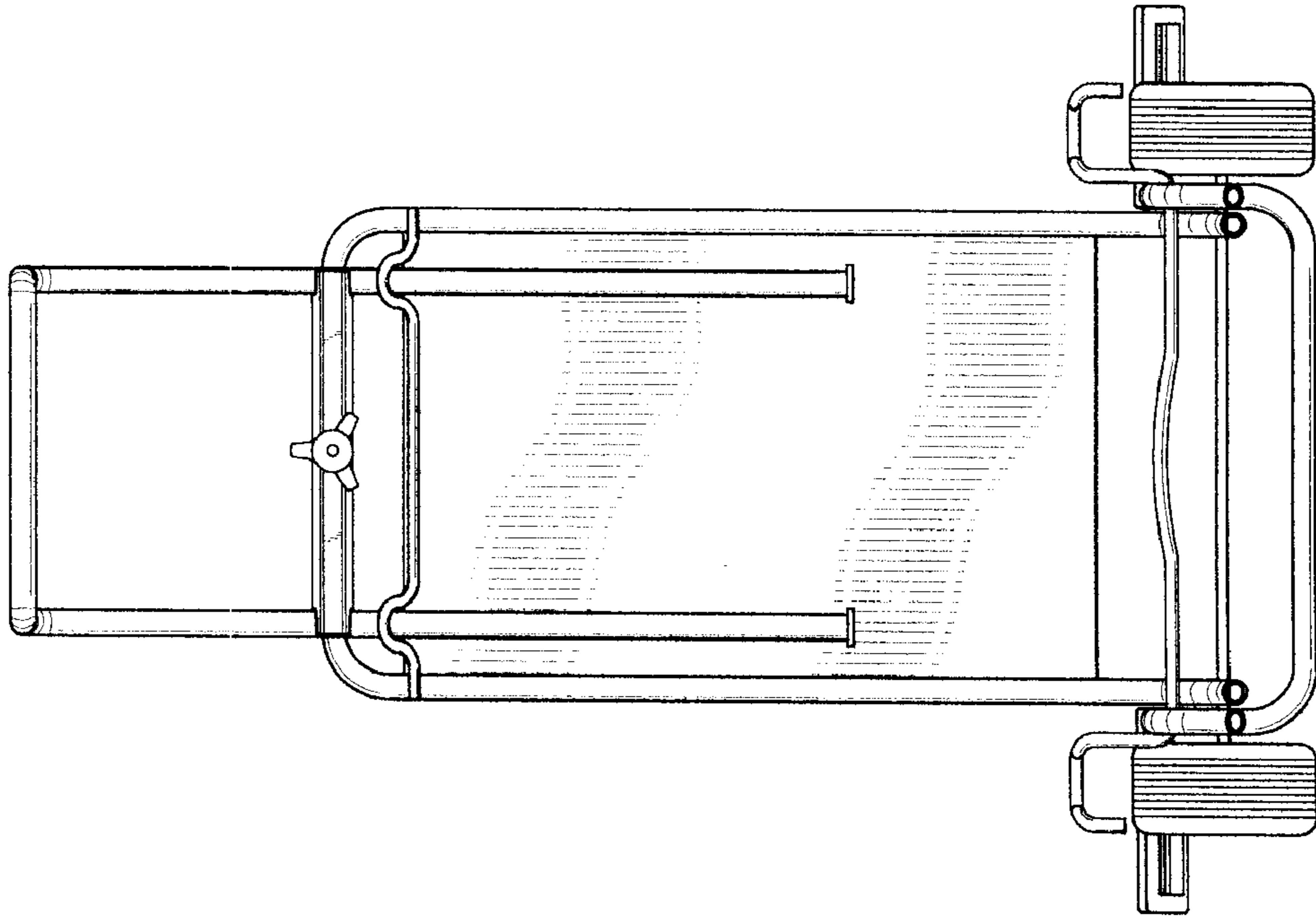


FIG. 2

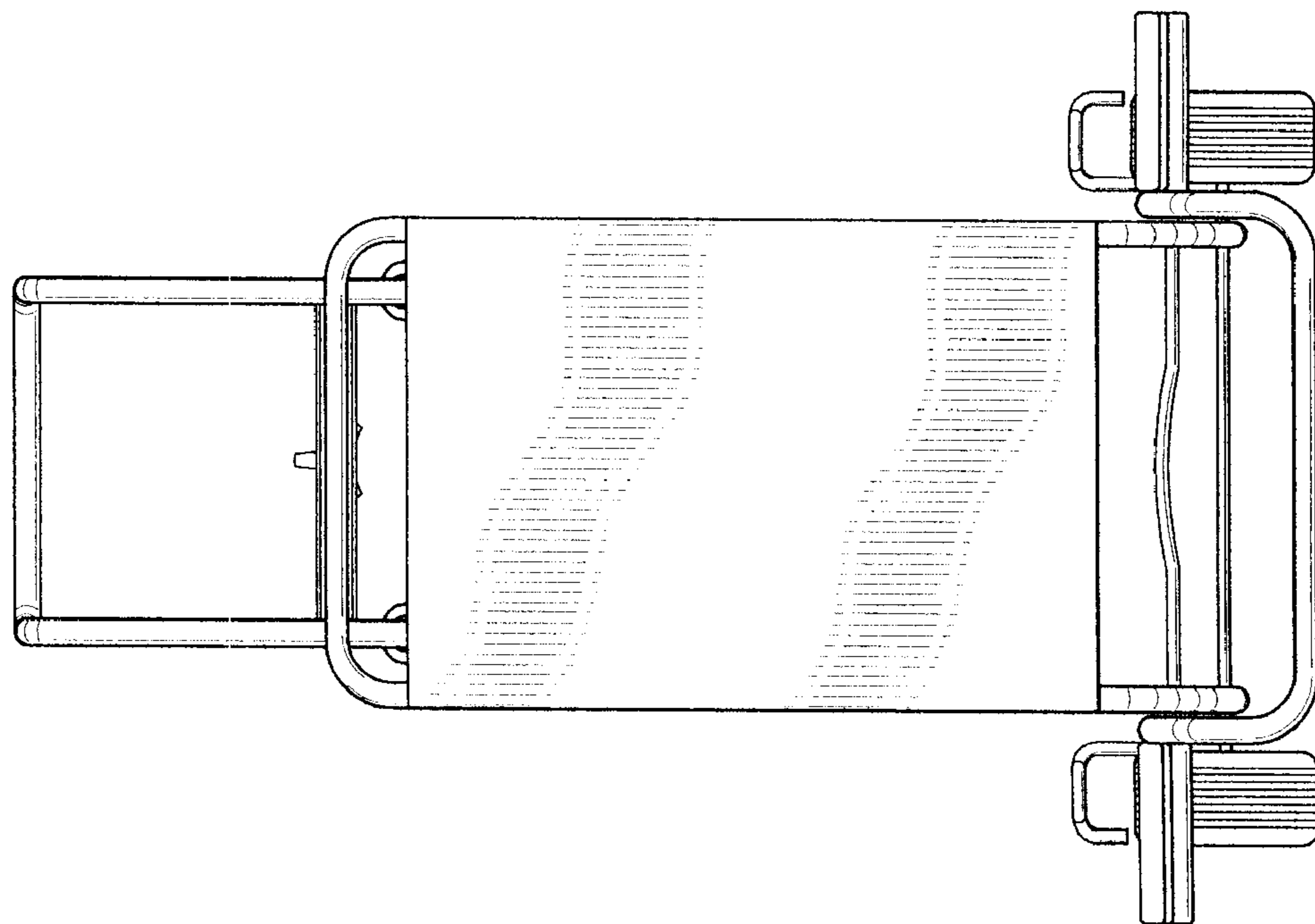


FIG. 1

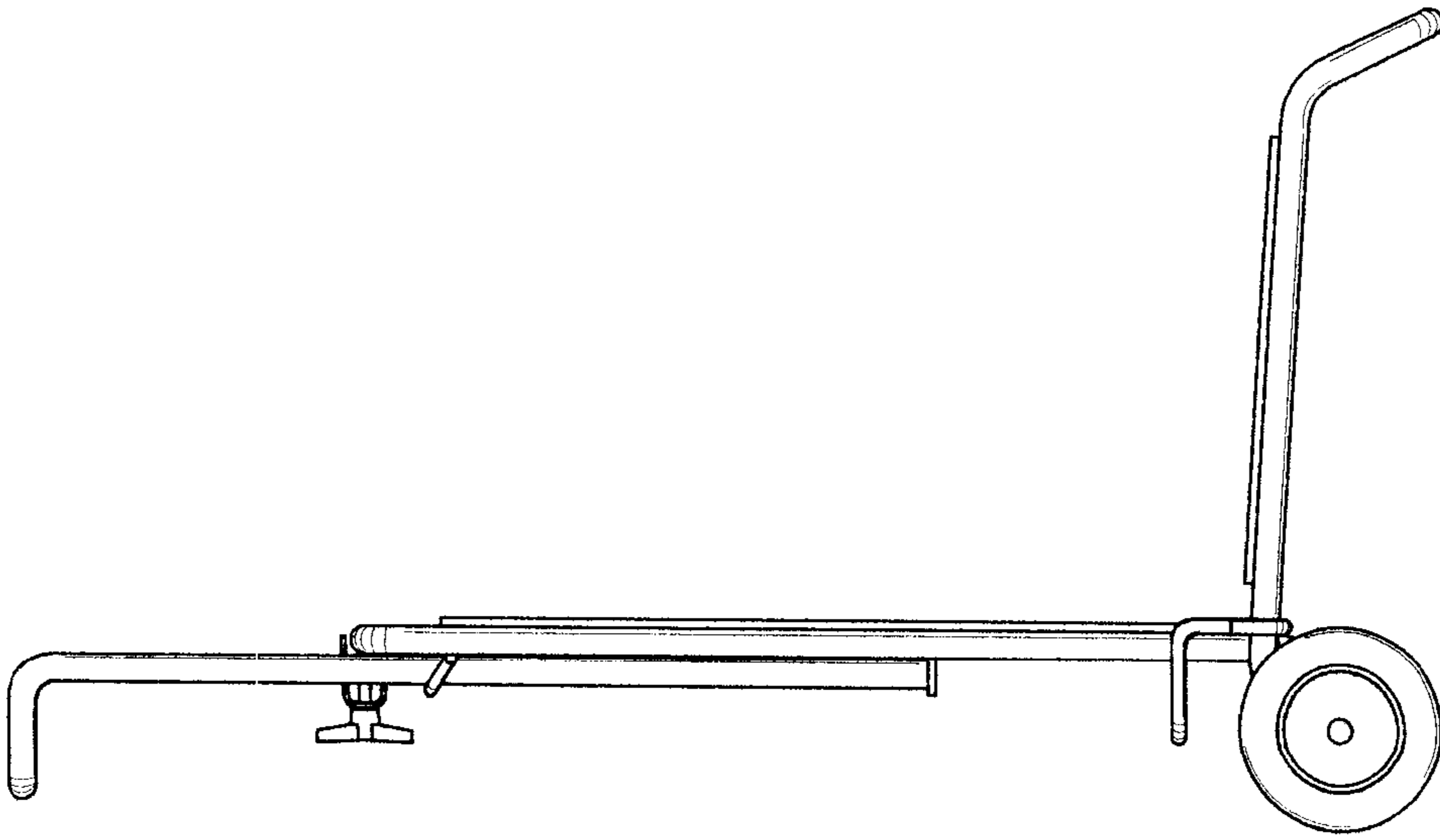


FIG. 4

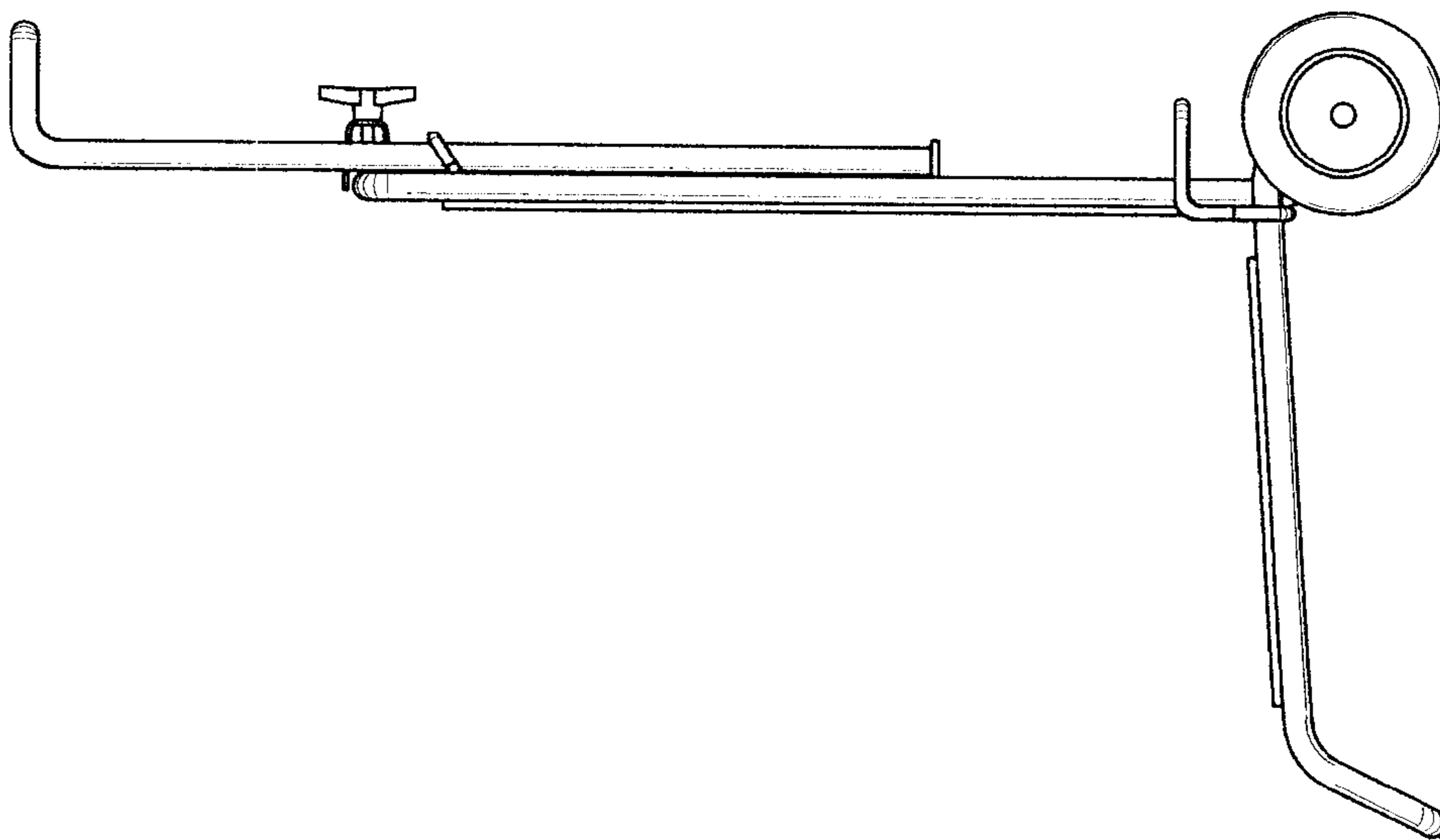


FIG. 3

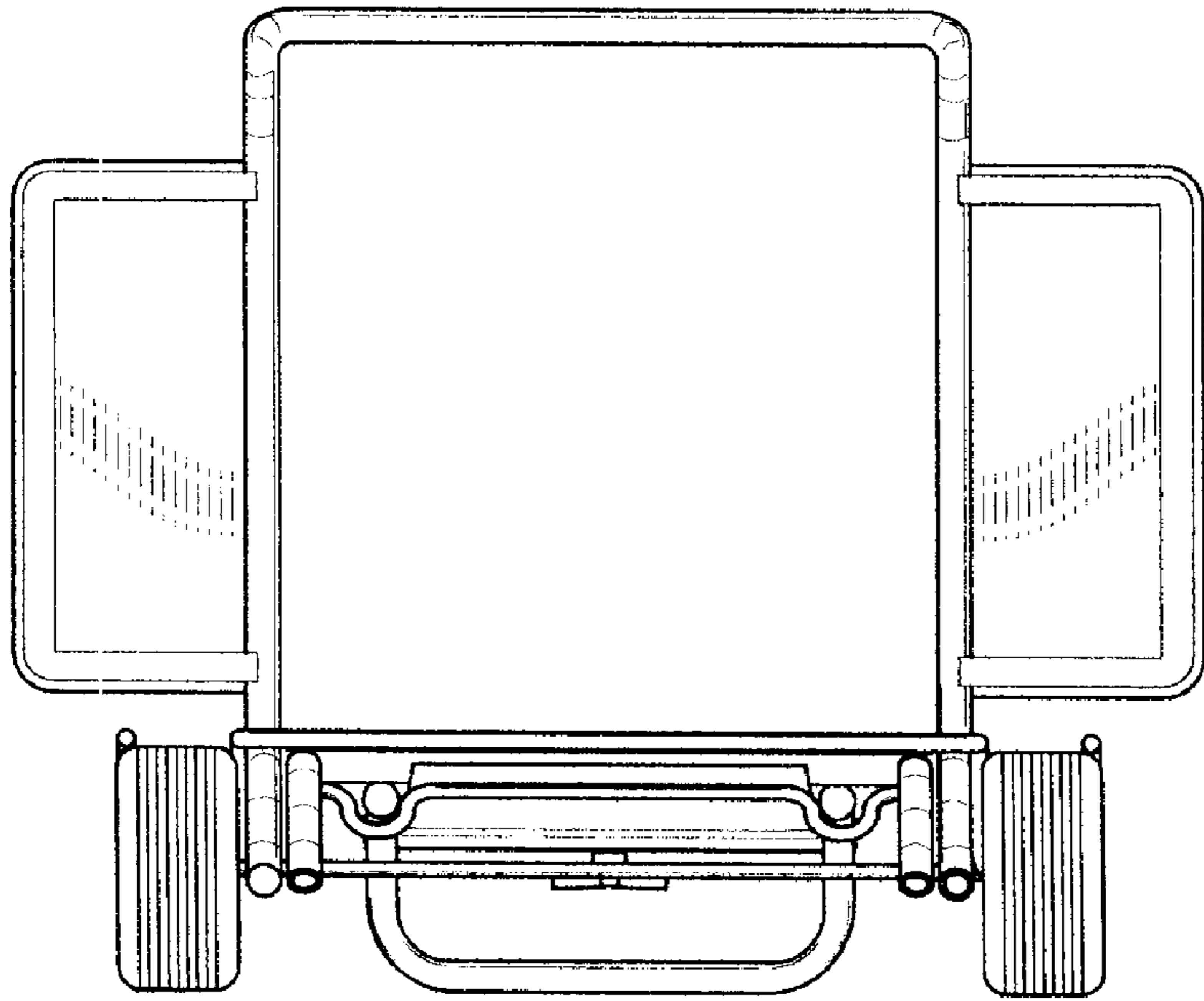


FIG. 6

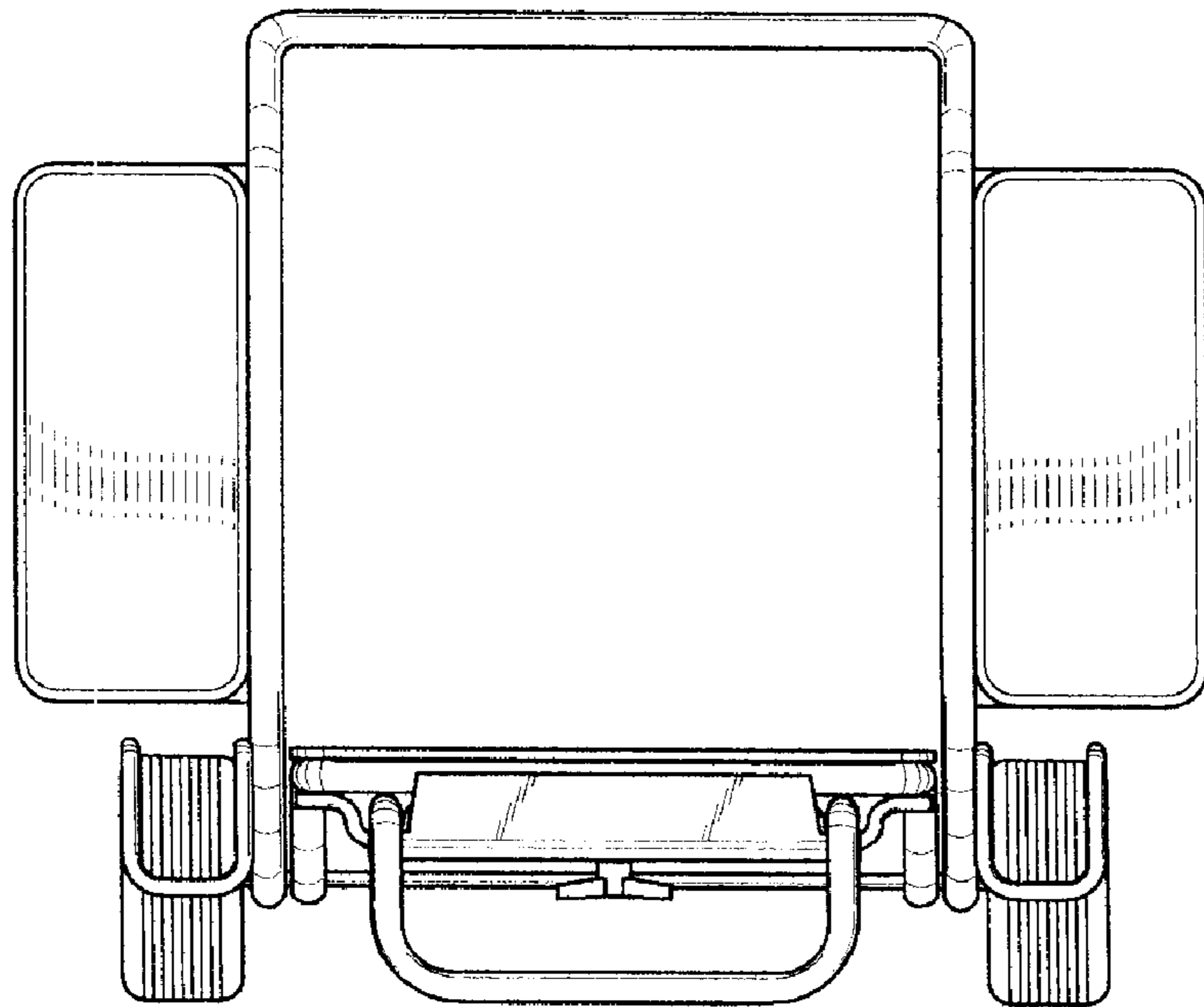


FIG. 5

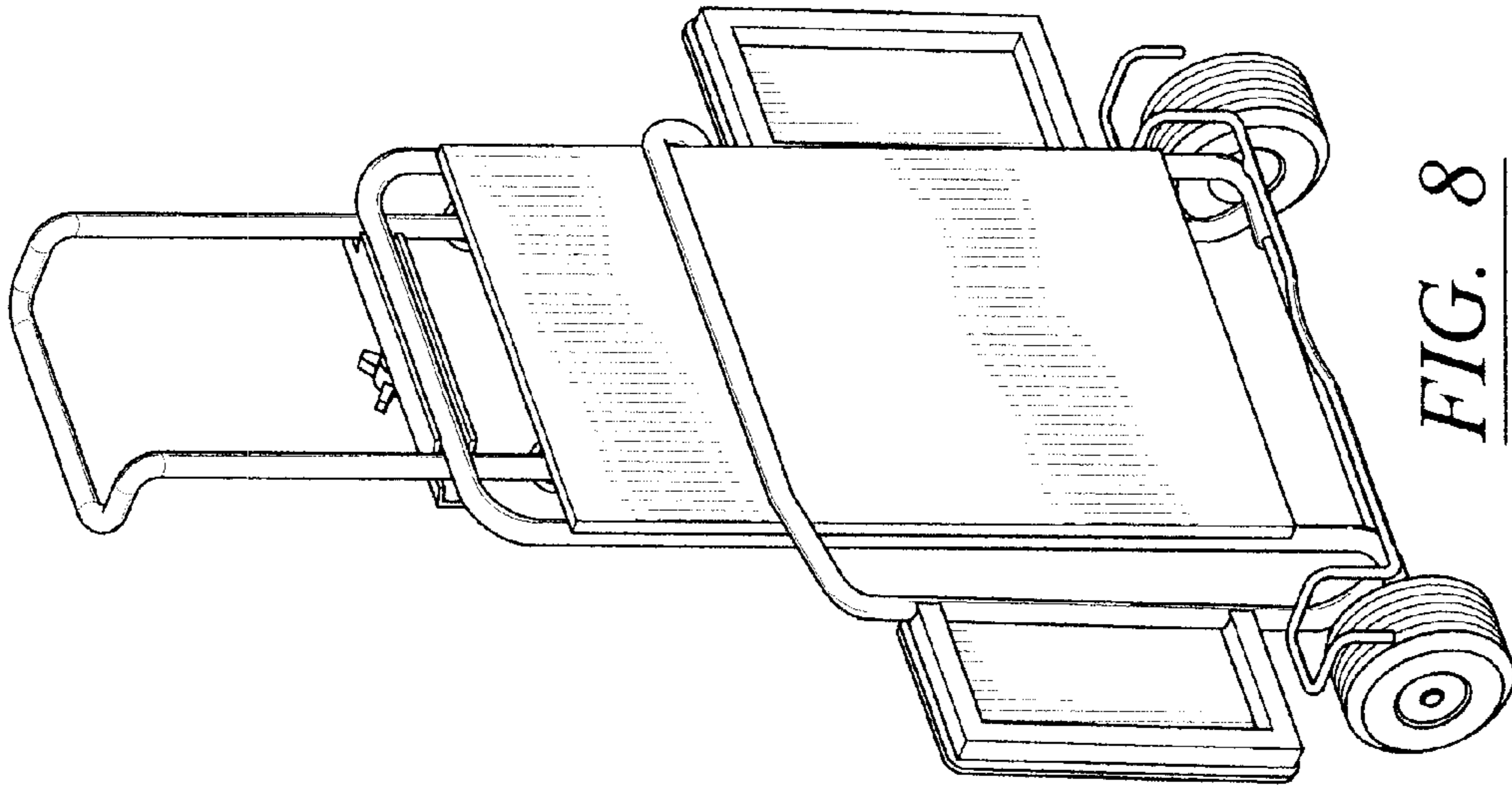


FIG. 8

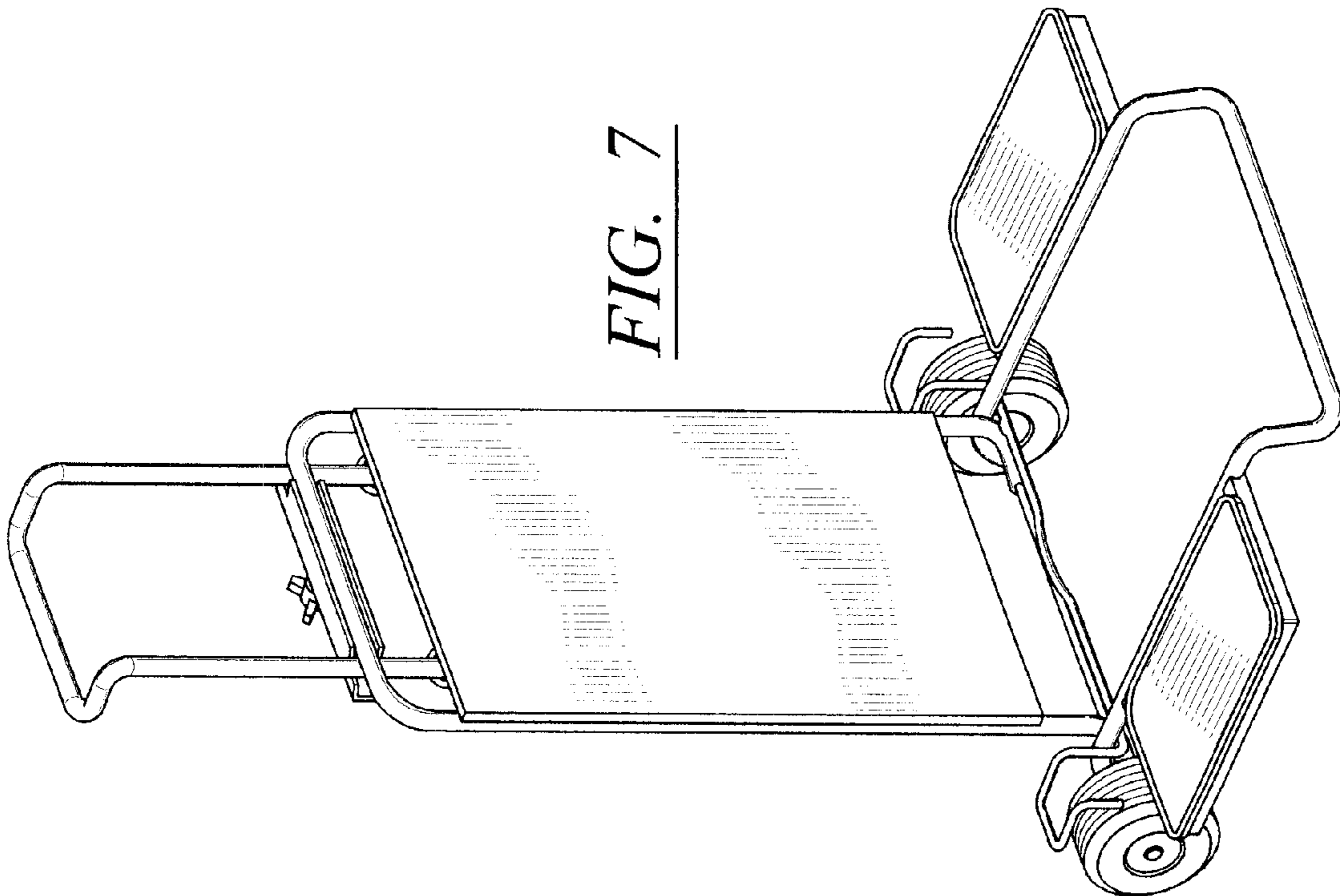


FIG. 7