

US00D528730S

(12) **United States Design Patent**  
**Genovese**

(10) **Patent No.:** **US D528,730 S**

(45) **Date of Patent:** **\*\* Sep. 19, 2006**

(54) **THREE WHEELED DOLLY**

(76) Inventor: **Donald Genovese**, 628 Beech,  
Bakersfield, CA (US) 93304

(\*\*) Term: **14 Years**

(21) Appl. No.: **29/253,404**

(22) Filed: **Feb. 6, 2006**

(51) **LOC (8) Cl.** ..... **12-02**

(52) **U.S. Cl.** ..... **D34/18**

(58) **Field of Classification Search** ..... D34/12-27;  
280/79.2, 79.5, 79.4, 638, 79.11, 79.1, 32.6;  
D24/185; 248/188.7; 5/201

See application file for complete search history.

(56) **References Cited**

**U.S. PATENT DOCUMENTS**

2,878,028	A	*	3/1959	Long	.....	280/35
3,391,887	A	*	7/1968	Doerner	.....	248/188.7
D221,634	S	*	8/1971	Bradspies et al.	.....	D34/18
3,831,959	A	*	8/1974	Fontana	.....	280/79.11
4,653,710	A	*	3/1987	Dickison	.....	248/188.7
D309,811	S	*	8/1990	Terrizzi	.....	D34/23
D310,746	S	*	9/1990	Berfield et al.	.....	D34/23
D315,817	S	*	3/1991	Healy	.....	D34/23

5,452,909	A	*	9/1995	Zinski	.....	280/79.4
D452,052	S	*	12/2001	Griffin	.....	D32/23
6,382,643	B1	*	5/2002	Baker	.....	280/79.11
6,964,423	B1	*	11/2005	Chieh et al.	.....	280/79.11
2005/0258320	A1	*	11/2005	Edwards et al.	.....	248/188.7

\* cited by examiner

*Primary Examiner*—Freda Nunn

*Assistant Examiner*—Kevin K. Rudzinski

(74) *Attorney, Agent, or Firm*—Krajec Patent Offices, LLC;  
Russell S. Krajec

(57) **CLAIM**

The ornamental design for a three wheeled dolly, as shown and described.

**DESCRIPTION**

FIG. 1 is an isometric view of a three wheeled dolly showing my new design.

FIG. 2 is a top view thereof.

FIG. 3 is a front side view thereof.

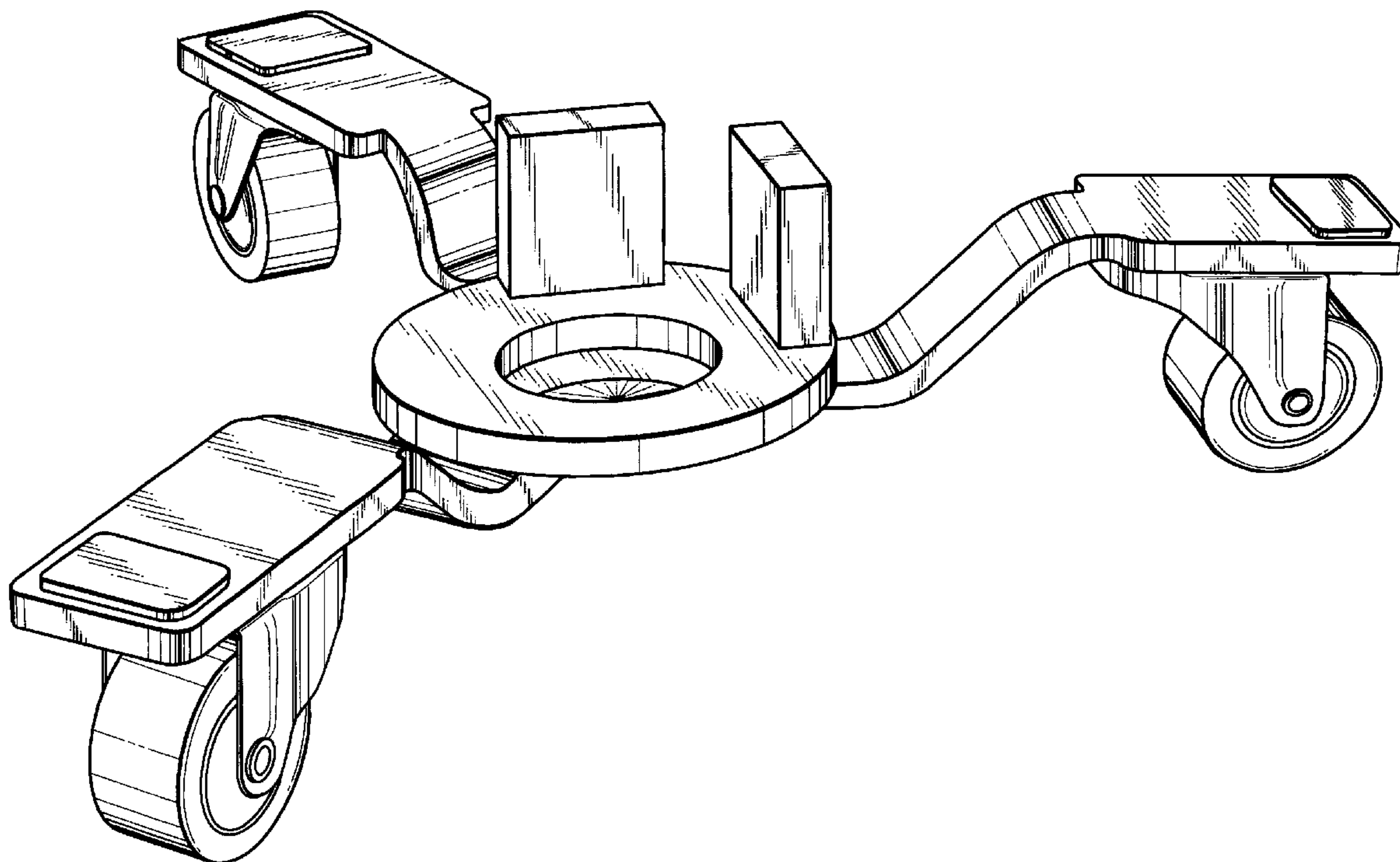
FIG. 4 is a left side view thereof.

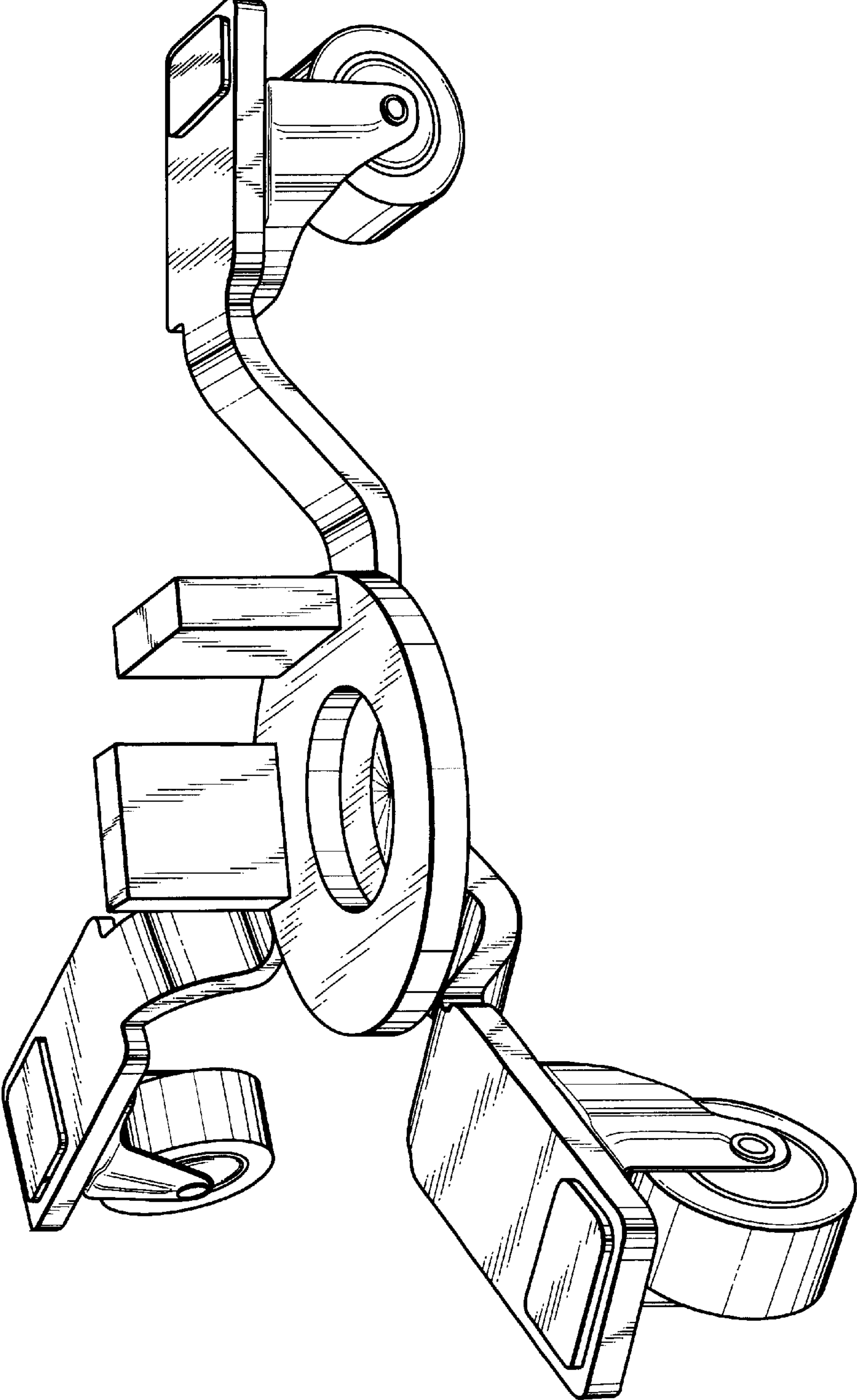
FIG. 5 is a right side view thereof.

FIG. 6 is a rear view thereof; and,

FIG. 7 is a bottom view thereof.

**1 Claim, 7 Drawing Sheets**





**FIG. 1**

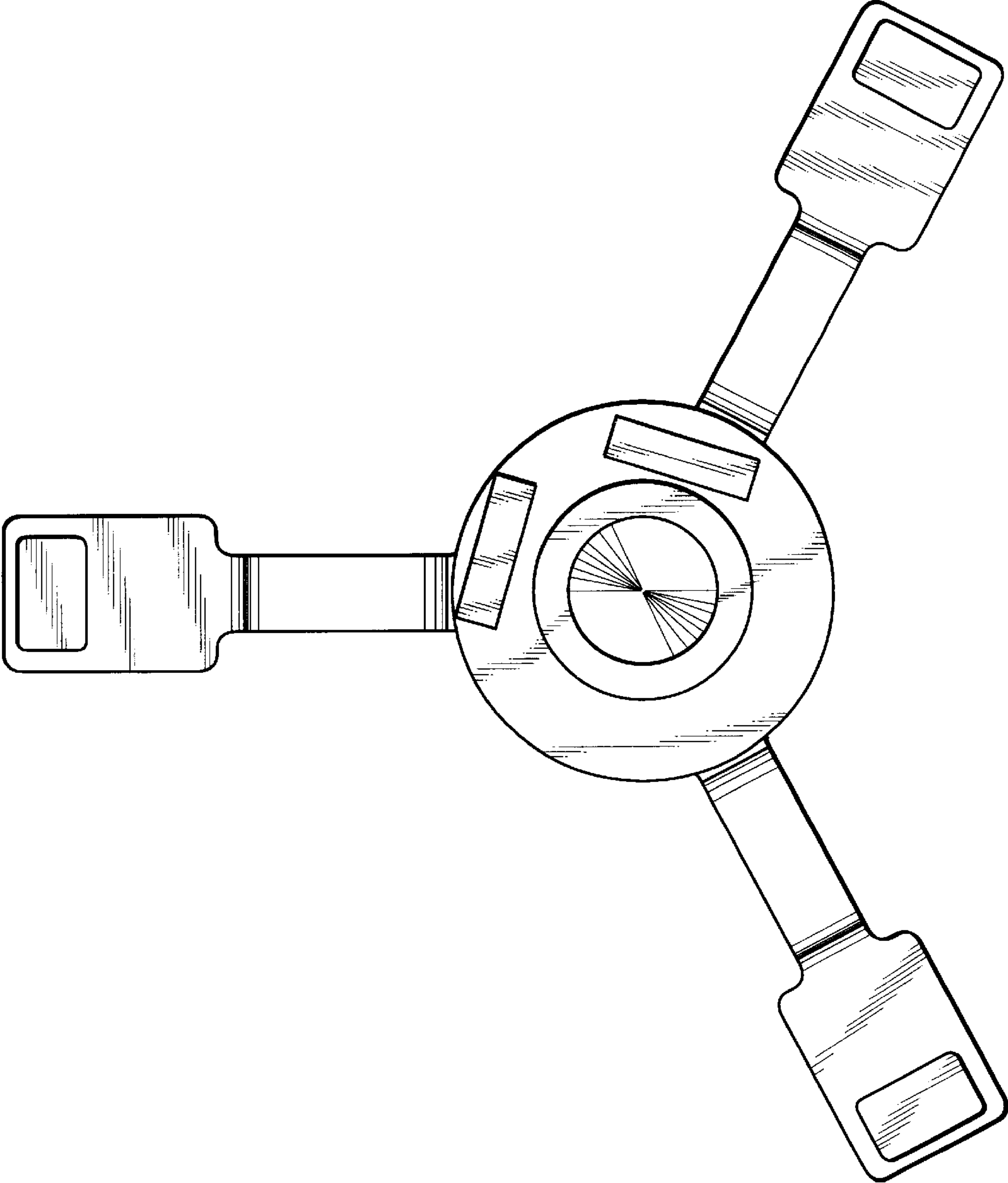
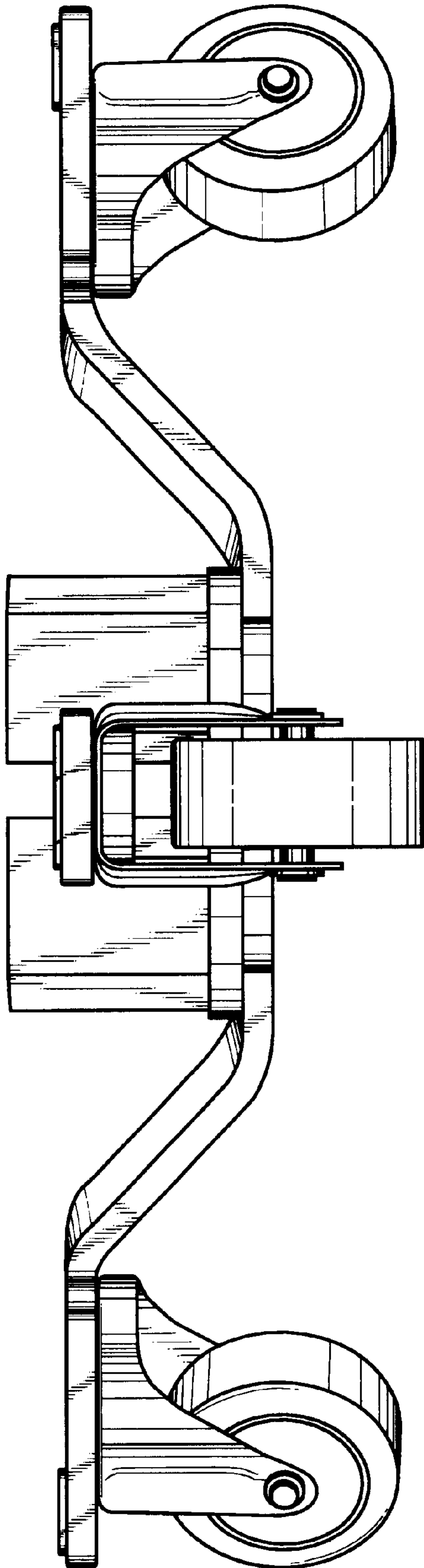
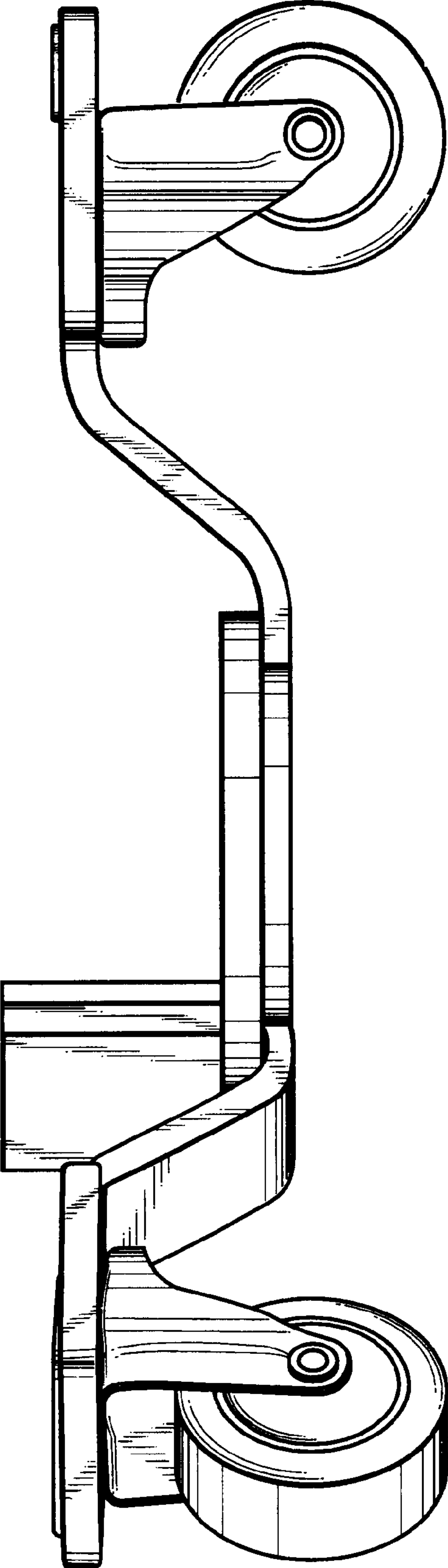


FIG. 2

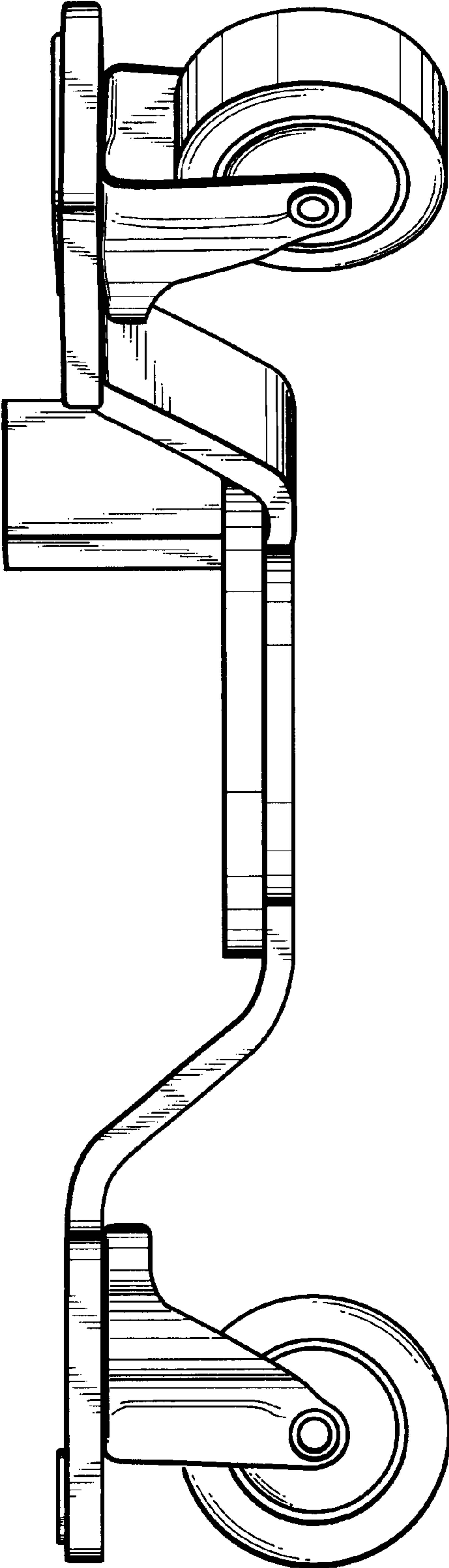


**FIG. 3**



**FIG. 4**





**FIG. 5**

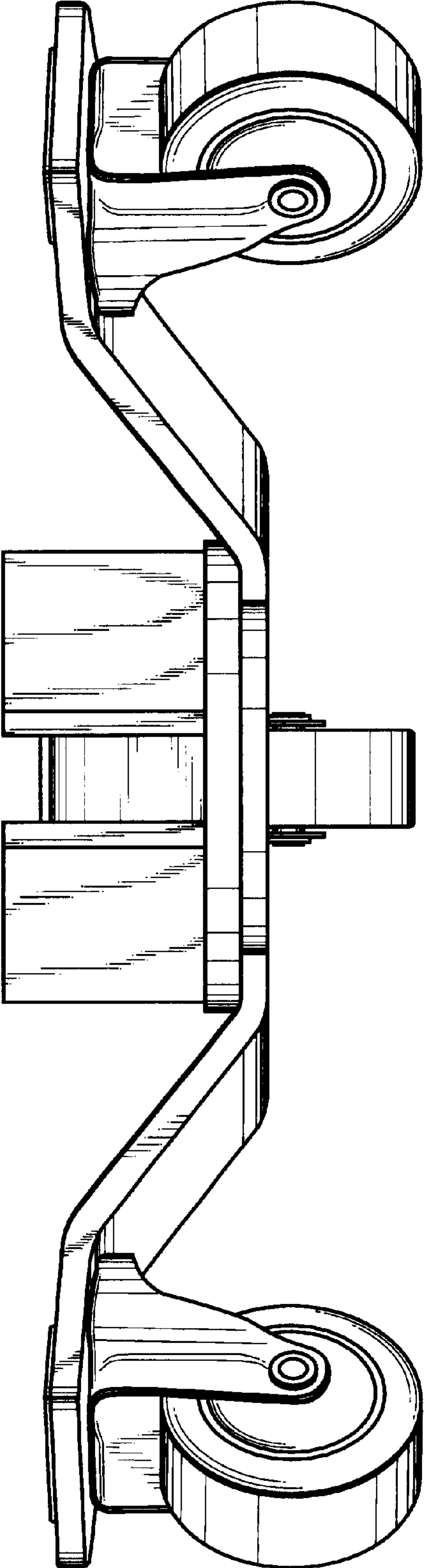


FIG. 6

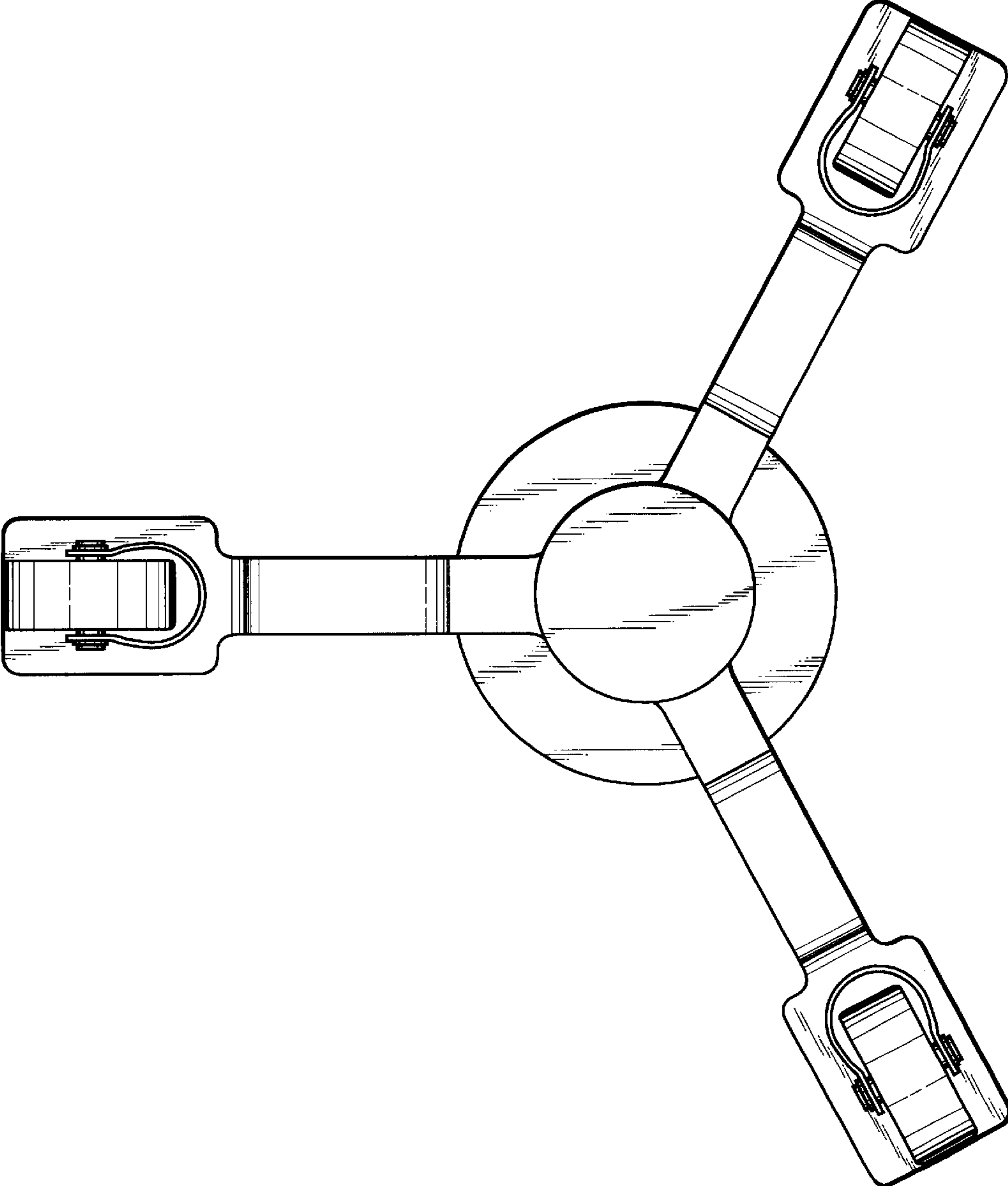


FIG. 7