

US00D528729S

(12) **United States Design Patent** (10) **Patent No.:** **US D528,729 S**
Van Landingham, Jr. (45) **Date of Patent:** **** Sep. 19, 2006**

(54) CART	CA	2114992 A1	8/1994
	CA	2181683 A1	7/1995
(75) Inventor: Alfred Reneau Van Landingham, Jr.,	CA	2189433 A1	12/1995
Stephens City, VA (US)	CA	2203692 A1	4/1997
	CA	2201432 A1	10/1997
(73) Assignee: Rubbermaid Commerical Products	CA	2263263	2/1998
LLC, Winchester, VA (US)	CA	2238091 A1	5/1998
	CA	2252819 A1	10/1998
(**) Term: 14 Years	CA	2265139 A1	3/1999
	CA	2272405 A1	5/1999
	CA	2193045 C	12/1999
(21) Appl. No.: 29/229,595	CA	2 376 800 A1	12/1999
	CA	2 349 726 A1	5/2000
(22) Filed: May 10, 2005	CA	2170154 C	11/2000
	CA	2 377 579 A1	1/2001
(51) LOC (8) Cl. 12-02	CA	2 380 369 A1	2/2001
(52) U.S. Cl. D34/17	CA	2 384 137 A1	4/2001
(58) Field of Classification Search D34/12-27;	CA	2 384 857 A1	4/2001
D32/53, 54; 15/260, 262, 261, 264; 206/514;	CA	2 332 554 A1	8/2001
220/23.87, 736; 100/132	CA	2 154 839 C	10/2001
See application file for complete search history.	CA	2 342 010 A1	11/2001

(56) **References Cited**

U.S. PATENT DOCUMENTS

1,184,543 A	5/1916	Lepak
1,234,721 A	7/1917	Bogges
1,486,284 A	3/1924	Eiffe
1,816,861 A	8/1931	Mancuso
1,929,848 A	10/1933	Neely
1,932,099 A	10/1933	Cabana
1,955,445 A	4/1934	Wenger
2,021,977 A	11/1935	Allen et al.
2,023,134 A	12/1935	Gringer
2,123,813 A	7/1938	Stiles

(Continued)

FOREIGN PATENT DOCUMENTS

BE	523195	1/1956
CA	1109654 A	9/1981
CA	1287955 C	8/1991
CA	2057085 A1	6/1992
CA	1306590 C	8/1992
CA	1307629 C	9/1992
CA	2050980 A1	10/1992
CA	1315502 C	4/1993
CA	2138144 A1	12/1993

(Continued)

Primary Examiner—Freda Nunn
Assistant Examiner—Kevin K. Rudzinski
(74) Attorney, Agent, or Firm—Foley & Lardner LLP

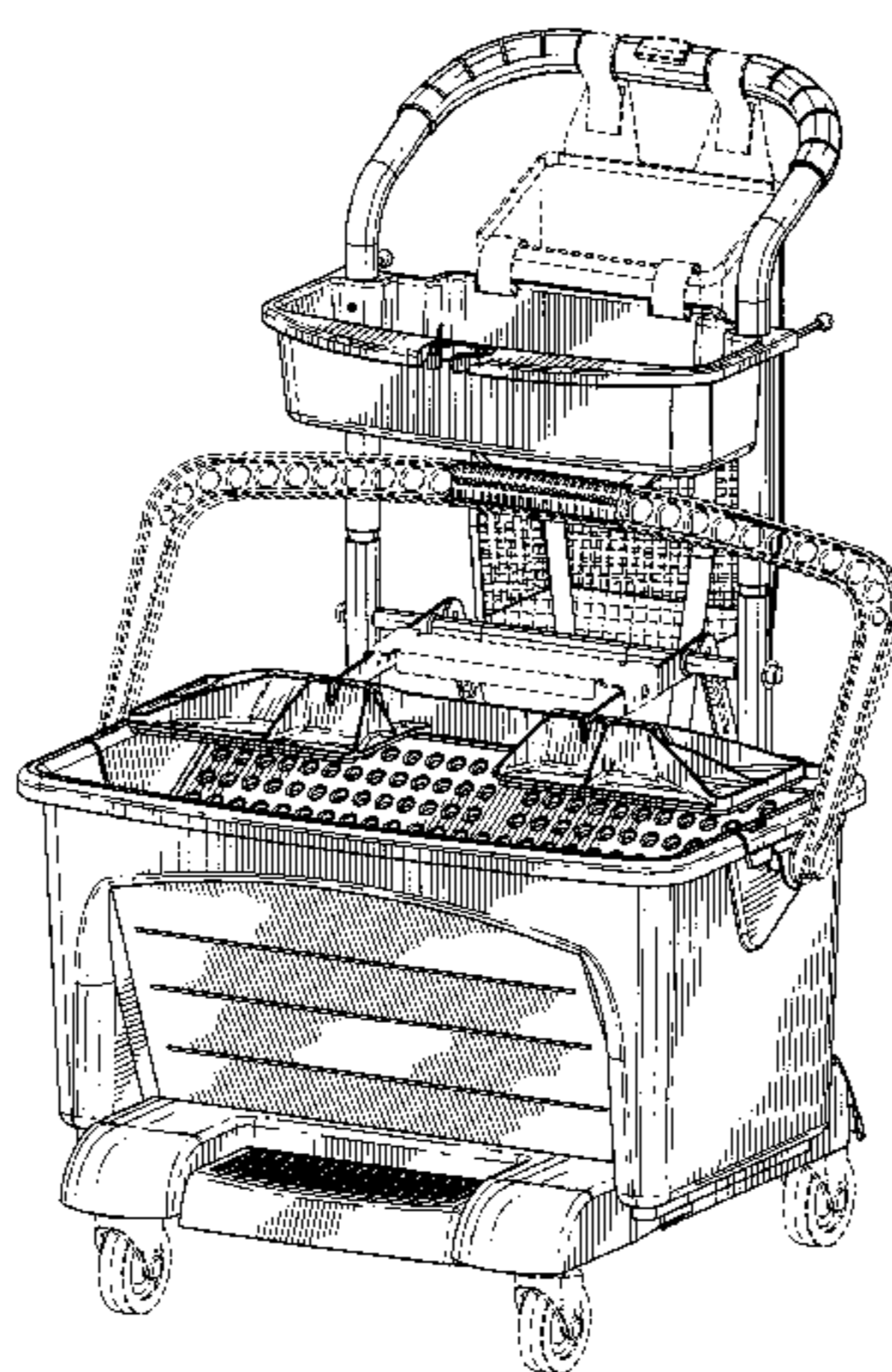
(57) **CLAIM**

The ornamental design for a cart, as shown and described.

DESCRIPTION

FIG. 1 is a top frontal perspective view of a first embodiment of a cart according to my new design;
FIG. 2 is a front view of the cart shown in FIG. 1;
FIG. 3 is a right side view of the cart shown in FIG. 1;
FIG. 4 is a left side view of the cart shown in FIG. 1;
FIG. 5 is a back view of the cart shown in FIG. 1;
FIG. 6 is a top view of the cart shown in FIG. 1; and,
FIG. 7 is a bottom view of the cart shown in FIG. 1.
The ornamental design which is claimed is shown in solid lines in the drawings. The broken lines in the drawings are for illustrative purposes only and forms no part of the claimed design.

1 Claim, 7 Drawing Sheets



US D528,729 S

U.S. PATENT DOCUMENTS							
2,134,301	A	10/1938	Guggenbuehler	4,704,763	A	11/1987	Sacks et al.
2,252,436	A	8/1941	MacGraham	4,707,877	A	11/1987	Griffin
2,262,334	A	11/1941	Rugaard	4,713,859	A	12/1987	Smith, Jr.
2,277,676	A	3/1942	Blanchard	4,716,619	A	1/1988	Young
2,753,579	A	7/1956	Kussmann	D295,914	S	5/1988	Moss et al.
2,793,383	A	5/1957	Nomiya	4,742,595	A	5/1988	Isaacs
2,870,475	A	1/1959	Scheuer et al.	D296,833	S	7/1988	Slattery et al.
2,932,047	A	4/1960	Johnston	4,754,518	A	7/1988	Griffin
3,099,855	A	8/1963	Nash	4,793,646	A	12/1988	Michaud, Jr.
3,145,406	A	8/1964	Lay	4,794,663	A	1/1989	Vosbikian
3,187,363	A	6/1965	Auwarter	4,798,307	A	1/1989	Evrard
D204,662	S	5/1966	Benjamin	4,811,449	A	3/1989	Kobayashi
D206,933	S	2/1967	Gibbs	4,811,990	A	3/1989	Quearry et al.
3,341,876	A	9/1967	Campbell	4,829,622	A	5/1989	O'Sullivan et al.
3,358,313	A	12/1967	Grimes, Sr.	4,829,857	A	5/1989	Jones
3,407,424	A	10/1968	Lanzarone et al.	4,850,075	A	7/1989	Kresse et al.
3,440,677	A	4/1969	Flomerfelt	4,852,207	A	8/1989	Yamane
3,465,377	A	9/1969	Thomas	4,852,210	A	8/1989	Krajicek
3,562,841	A	2/1971	Royalty	D304,630	S	11/1989	Jones et al.
3,593,359	A	7/1971	Strauss	4,912,804	A	4/1990	Pasbol
3,699,606	A	10/1972	Ribas	D307,517	S	5/1990	Mallory et al.
3,737,938	A	6/1973	Saltzstein	4,962,561	A	10/1990	Hamilton
3,747,154	A	7/1973	O'Neil	D320,295	S	9/1991	Delmerico
3,773,375	A	11/1973	Nehls	5,071,489	A	12/1991	Silvenis et al.
3,792,505	A	2/1974	Saltzstein	5,099,539	A	3/1992	Forester
3,850,533	A	11/1974	Thielen	5,109,637	A	5/1992	Calafut et al.
3,866,257	A	2/1975	Cansdale, Sr.	5,133,101	A	7/1992	Hauser et al.
3,877,103	A	4/1975	Nash	5,207,754	A	5/1993	Harrah
3,896,518	A	7/1975	Von Post et al.	5,220,707	A	6/1993	Newman, Sr. et al.
3,909,870	A	10/1975	Leland	5,228,202	A	7/1993	Liao
3,921,247	A	11/1975	Cook	5,242,362	A	9/1993	Talamantez
3,996,639	A	12/1976	Griffin	D344,379	S	2/1994	Clark, Jr.
4,070,726	A	1/1978	Joffre	D345,236	S	3/1994	Chen
D248,081	S	6/1978	Epstein	D348,550	S	7/1994	Cox et al.
D248,610	S	7/1978	Schwartz	5,333,347	A	8/1994	Stranders
4,114,223	A	9/1978	Buchanan	5,333,353	A	8/1994	Taylor
D250,245	S	11/1978	Bebb	5,343,589	A	9/1994	Davenport
4,132,489	A	1/1979	Berg, Jr. et al.	5,375,286	A	12/1994	Harrah
4,161,799	A	7/1979	Sorrells	5,402,559	A	4/1995	Allison et al.
4,165,550	A	8/1979	Burke	D358,238	S	5/1995	Barnett
4,184,224	A	1/1980	Joffre	5,414,892	A	* 5/1995	Clark, Jr. 15/263
4,225,998	A	10/1980	Thielen	5,419,015	A	5/1995	Garcia
4,247,216	A	1/1981	Pansini	D359,605	S	6/1995	Janikowski
4,315,342	A	2/1982	Ash	5,426,809	A	6/1995	Muta
4,325,157	A	4/1982	Balint et al.	5,440,778	A	8/1995	De Guzman
4,344,201	A	8/1982	Trisolini	5,461,749	A	10/1995	Ahlberg et al.
4,345,351	A	8/1982	Moss et al.	5,469,594	A	11/1995	Nolte
4,381,766	A	5/1983	Avolio	D366,740	S	1/1996	Clausen et al.
D270,961	S	10/1983	Hawkins et al.	5,487,202	A	1/1996	Cowan
4,455,705	A	6/1984	Graham	D368,561	S	4/1996	Hodges et al.
D274,856	S	7/1984	Smith et al.	5,502,864	A	4/1996	Sorenson
4,466,377	A	8/1984	Kolb et al.	5,515,574	A	5/1996	Larson
D277,039	S	1/1985	Miyoshi et al.	5,548,865	A	8/1996	Pagani
4,516,360	A	5/1985	Gringer et al.	5,553,344	A	9/1996	Rosenkrantz
4,524,484	A	6/1985	Graham	D374,321	S	10/1996	Mandell et al.
D279,932	S	7/1985	Bergstrom	5,579,557	A	12/1996	Boden
4,603,450	A	8/1986	Osberghaus et al.	5,579,558	A	12/1996	Newman, Jr. et al.
D285,736	S	9/1986	Seely	5,603,138	A	2/1997	Bonis
D286,096	S	10/1986	Jaros et al.	5,611,104	A	3/1997	DeMars
4,620,340	A	11/1986	Bohacek	5,625,923	A	5/1997	Huang
D287,173	S	12/1986	Libman	D380,303	S	7/1997	Wolfenden
4,625,356	A	12/1986	Meili	5,655,250	A	8/1997	Warrell
4,656,686	A	4/1987	Moss et al.	D383,580	S	9/1997	Bolster et al.
4,659,125	A	4/1987	Chuan	5,666,685	A	9/1997	von Grolman et al.
4,663,796	A	5/1987	Helling et al.	D384,818	S	10/1997	Wolfenden
4,663,798	A	5/1987	Sacks et al.	5,682,641	A	11/1997	Newman, Jr. et al.
4,667,846	A	5/1987	Marceau	5,720,071	A	2/1998	Hall
4,673,307	A	6/1987	Prestele et al.	D391,715	S	3/1998	Irwin et al.
4,685,167	A	8/1987	Murray	5,729,865	A	3/1998	Stoddart
4,704,758	A	11/1987	Hoffman	5,752,415	A	5/1998	Tsai
				D395,530	S	6/1998	Mandell et al.

US D528,729 S

D395,531 S	6/1998	Mandell et al.	6,260,238 B1	7/2001	MacMillan
5,771,535 A	6/1998	Blessing	6,279,195 B1	8/2001	Biggs
5,774,929 A	7/1998	Jürgens et al.	6,298,517 B1	10/2001	McKay
5,779,291 A	7/1998	Forest	6,305,046 B1	10/2001	Kingry et al.
5,791,006 A	8/1998	Anctil	6,311,368 B1	11/2001	Sartori
5,791,805 A	8/1998	Lynch et al.	6,332,234 B1	12/2001	Graham et al.
5,813,567 A	9/1998	Mangano	6,339,979 B1	1/2002	Chiang
5,815,878 A	10/1998	Murakami et al.	D455,878 S	4/2002	Debreczeni
5,839,771 A	* 11/1998	DeMars 294/146	6,367,121 B1	4/2002	MacMillan
D402,776 S	12/1998	Carlson	6,378,159 B1	4/2002	Garrison et al.
5,842,810 A	12/1998	Morad	6,389,638 B1	5/2002	Dickinson et al.
5,845,361 A	12/1998	Murakami et al.	D458,427 S	6/2002	Kunkler et al.
5,845,917 A	12/1998	Huang	D458,721 S	6/2002	Clarke
D403,819 S	1/1999	Carlson	6,397,427 B1	6/2002	Bryngelsson
5,862,562 A	1/1999	Erken	6,405,403 B1	6/2002	McKay
D404,924 S	2/1999	Schmidt	6,412,138 B1	7/2002	MacMillan
5,864,913 A	2/1999	Robertson et al.	6,415,470 B1	7/2002	Ramrattan
D406,932 S	3/1999	Hodges	6,457,203 B1	10/2002	Williams et al.
5,887,315 A	3/1999	Rogers	6,461,074 B1	10/2002	Taylor
D407,878 S	4/1999	Carlson	D465,890 S	11/2002	Rivera et al.
D408,602 S	4/1999	Carlson	6,484,346 B1	11/2002	Kingry et al.
D409,343 S	5/1999	Kingry et al.	6,487,749 B1	* 12/2002	Tsui 15/262
D411,673 S	6/1999	Biggs et al.	6,513,184 B1	2/2003	Brown et al.
5,915,437 A	6/1999	Petner	6,523,220 B1	2/2003	Lynn
5,918,343 A	7/1999	Young	6,530,124 B1	3/2003	Newman et al.
5,920,944 A	7/1999	Biggs et al.	6,532,630 B1	3/2003	Newman et al.
5,926,896 A	7/1999	Allemann et al.	6,543,082 B1	4/2003	Dingert et al.
5,941,410 A	8/1999	Mangano	6,546,596 B1	4/2003	Grote et al.
5,960,508 A	10/1999	Holt et al.	D476,123 S	6/2003	Debreczeni
5,971,199 A	10/1999	Jackson	6,588,065 B1	7/2003	Tucker, III
D417,051 S	* 11/1999	Dickinson et al. D32/53	6,601,261 B1	8/2003	Holt et al.
5,983,441 A	11/1999	Williams et al.	6,606,757 B1	8/2003	Vosbikian et al.
5,983,455 A	11/1999	Polzin et al.	D481,184 S	10/2003	Clare et al.
5,987,685 A	11/1999	Lambert	D482,829 S	11/2003	Vosbikian et al.
5,992,423 A	11/1999	Tevolini	6,651,290 B1	11/2003	Kingry et al.
D417,934 S	12/1999	Footer et al.	6,669,397 B1	12/2003	Christion
5,996,175 A	12/1999	Fusco	6,671,923 B1	1/2004	Gromnicki
6,000,094 A	12/1999	Young	6,671,930 B1	1/2004	Lanz
6,003,191 A	12/1999	Sherry et al.	D486,616 S	2/2004	Hall et al.
6,023,924 A	2/2000	Babineau	D487,174 S	2/2004	Colman et al.
6,029,308 A	2/2000	Smith	6,684,446 B1	2/2004	Salmon
D423,157 S	4/2000	Hodges	6,684,450 B1	2/2004	Dingert
D423,742 S	4/2000	Kingry et al.	6,687,943 B1	2/2004	Zorzo
6,045,622 A	4/2000	Holt et al.	D489,852 S	5/2004	Perelli
6,048,123 A	4/2000	Holt et al.	D490,952 S	6/2004	Ajluni
6,055,698 A	* 5/2000	De Guzman 15/260	6,794,352 B1	9/2004	Svendsen
6,058,548 A	5/2000	Footer et al.	2001/0013153 A1	8/2001	Zorzo
6,058,552 A	5/2000	Hanan	2001/0029640 A1	10/2001	Cassar
6,061,864 A	5/2000	Ensson	2001/0047559 A1	12/2001	Graham et al.
D426,361 S	6/2000	Young	2001/0047570 A1	12/2001	Lanz
D427,401 S	6/2000	Kunkler	2002/0021013 A1	2/2002	Newman et al.
D428,226 S	7/2000	Kunkler	2002/0026680 A1	3/2002	Kingry et al.
6,092,255 A	7/2000	Kim	2002/0066163 A1	6/2002	Lomax
D429,396 S	8/2000	Houry et al.	2002/0073502 A1	6/2002	Gromnicki
D429,862 S	8/2000	Houry et al.	2002/0078520 A1	6/2002	Salmon
6,098,239 A	8/2000	Vosbikian	2002/0083964 A1	7/2002	McKay
6,101,661 A	8/2000	Policicchio et al.	2002/0088091 A1	7/2002	Grote et al.
6,115,877 A	9/2000	Morad et al.	2002/0088092 A1	7/2002	Cavalheiro
6,115,878 A	9/2000	McLaughlin et al.	2002/0116780 A1	8/2002	Young
6,119,298 A	9/2000	Kenmochi	2002/0120997 A1	9/2002	Alt
6,128,803 A	10/2000	Dickinson et al.	2002/0144369 A1	10/2002	Biggs et al.
6,141,820 A	11/2000	Schmiedhoff et al.	2002/0184726 A1	12/2002	Kingry et al.
D434,911 S	12/2000	Lynch et al.	2003/0003831 A1	1/2003	Childs et al.
6,158,089 A	12/2000	Monahan et al.	2003/0003832 A1	1/2003	Childs et al.
6,199,245 B1	3/2001	Blessing	2003/0009839 A1	1/2003	Streutker et al.
6,202,250 B1	3/2001	Kenmochi et al.	2003/0024074 A1	2/2003	Hartman
6,213,672 B1	4/2001	Varga	2003/0028988 A1	2/2003	Streutker et al.
6,237,182 B1	5/2001	Cassar	2003/0044569 A1	3/2003	Kacher et al.
6,243,909 B1	6/2001	Graham et al.	2003/0046782 A1	3/2003	Kresse et al.
6,254,305 B1	7/2001	Taylor	2003/0049407 A1	3/2003	Kacher et al.
6,260,230 B1	7/2001	Hunt	2003/0056315 A1	3/2003	Salmon

2003/0074756	A1	4/2003	Policicchio et al.	DE	297 24 799	U1	4/2004
2003/0084531	A1	5/2003	Dingert et al.	EP	0 122 675	A1	10/1984
2003/0106568	A1	6/2003	Keck et al.	EP	0 168 681	B1	1/1986
2003/0121116	A1	7/2003	Keck et al.	EP	0 254 507	A1	1/1988
2003/0126709	A1	7/2003	Policicchio et al.	EP	0 299 298	A1	1/1989
2003/0126710	A1	7/2003	Policicchio et al.	EP	0 625 329	A1	11/1994
2003/0135948	A1	7/2003	Holt et al.	EP	0 697 269	A2	2/1996
2003/0150478	A1	8/2003	Biggs	EP	0 702 927	A1	3/1996
2003/0167589	A1	9/2003	Dingert et al.	EP	0 781 524	A	7/1997
2003/0200631	A1	10/2003	Clarke	EP	0 782 835	A2	7/1997
2004/0011382	A1	1/2004	Kingry et al.	EP	0 783 866	A2	7/1997
2004/0055099	A1	3/2004	Greenberg	EP	568 110	B1	9/1997
2004/0071490	A1	4/2004	Vosbikian et al.	EP	0 808 601	A2	11/1997
2004/0074520	A1	4/2004	Truong et al.	EP	0 898 927	A1	3/1999

FOREIGN PATENT DOCUMENTS

CA	2 413 519	A1	1/2002	EP	1 138 246	A2	10/2001
CA	2 353 287	A1	2/2002	EP	1 157 653	A2	11/2001
CA	2 426 042	A1	5/2002	EP	1 162 122	A2	12/2001
CA	2 426 546	A1	5/2002	EP	1 177 863	A2	2/2002
CA	2 426 628	A1	5/2002	EP	1 181 887	A2	2/2002
CA	2 209 147	C	8/2002	EP	1 234 537	A2	8/2002
CA	2 448 393	A1	1/2003	EP	1 234 538	A2	8/2002
CA	2 411 221	A1	5/2003	EP	1 262 139	A	12/2002
CA	2 266 783	C	1/2004	EP	1 380 248	A2	1/2004
CA	2 284 654	C	1/2004	FR	786.764		9/1935
CA	2215574	C	3/2004	FR	1.084.131		1/1955
CA	2 266 541	C	3/2004	FR	1.347.916		11/1963
CA	2 282 149	C	3/2004	FR	2 354 743		1/1978
CA	2 300 393	C	5/2004	FR	2 495 530		6/1982
CA	2 193 044	C	12/2004	FR	2 769 204	A1	4/1999
DE	597 084		5/1934	GB	660499		11/1951
DE	815036		9/1951	GB	820753	A	9/1959
DE	1 703 505		5/1968	GB	945831		1/1964
DE	1 503 872		7/1969	GB	1 501 316		2/1978
DE	34 11 858	A1	8/1985	GB	1 562 009		3/1980
DE	9000477	U1	1/1990	GB	2 197 185	A	5/1988
DE	41 09 142	A1	9/1992	GB	2 319 742	A	6/1998
DE	9301615	U1	2/1993	GB	2 331 694	A	6/1999
DE	9307679	U1	9/1993	GB	2 372 430	A	8/2002
DE	43 29 848	A1	3/1994	GB	2 372 437	A	8/2002
DE	9408885	U1	10/1994	LU	88 755		10/1996
DE	9410791	U1	10/1994	NL	6903297		9/1970
DE	9411092	U1	10/1994	PL	183974	B1	11/1997
DE	43 18 792	A1	12/1994	SE	470 475	B	5/1994
DE	9415002	U1	12/1994	SE	502 450	C2	10/1995
DE	94 16 565	U1	1/1995	WO	WO 89/12419	A1	12/1989
DE	94 21 373	U1	12/1995	WO	WO 92/14064	A1	8/1992
DE	195 21 341	A1	12/1996	WO	WO 92/18046	A1	10/1992
DE	9311098	U1	2/1997	WO	WO 92/19142	A1	11/1992
DE	195 29 780	A1	2/1997	WO	WO 93/26148	A1	12/1993
DE	296 20 863	U1	3/1997	WO	WO 95/07044	A1	3/1995
DE	196 20 663	A1	11/1997	WO	WO 95/20107	A1	7/1995
DE	197 36 735	A1	2/1999	WO	WO 95/32661	A1	12/1995
DE	298 18 942	U1	2/1999	WO	WO 97/01420	A1	1/1997
DE	198 03 595	A1	8/1999	WO	WO 97/10742	A1	3/1997
DE	198 27 865	A1	1/2000	WO	WO 97/18744	A1	5/1997
DE	199 08 259	A1	8/2000	WO	WO 97/33510	A1	9/1997
DE	100 20 366	A1	6/2001	WO	WO 97/35510	A1	10/1997
DE	100 08 331	A1	9/2001	WO	WO 98/06316	A1	2/1998
DE	100 13 308	C1	9/2001	WO	WO 98/11812	A1	3/1998
DE	100 19 211	A1	9/2001	WO	WO 98/11813	A1	3/1998
DE	201 06 432	U1	9/2001	WO	WO 98/12023	A1	3/1998
DE	201 17 581	U1	2/2002	WO	WO 98/23199	A1	6/1998
DE	202 07 465	U1	2/2002	WO	WO 98/36676	A1	8/1998
DE	100 49 334	A1	4/2002	WO	WO 98/42246	A1	10/1998
DE	101 23 522	C1	8/2002	WO	WO 99/07523	A1	2/1999
DE	202 20 311	U1	7/2003	WO	WO 99/11171	A1	3/1999
DE	102 23 074	C1	8/2003	WO	WO 99/63879	A1	12/1999
DE	102 10 569	A1	9/2003	WO	WO 99/66825	A1	12/1999
DE	102 21 060	A1	11/2003	WO	WO 00/27271	A2	5/2000

US D528,729 S

Page 5

WO WO 00/69321 A 11/2000
WO WO 01/06137 A1 1/2001
WO WO 01/22860 A1 4/2001
WO WO 01/22861 A2 4/2001
WO WO 01/39653 A1 6/2001
WO WO 01/45547 A1 6/2001
WO WO 01/54867 A1 8/2001
WO WO 01/67941 A1 9/2001

WO WO 01/67942 A1 9/2001
WO WO 02/00085 A2 1/2002
WO WO 02/083370 A1 10/2002
WO WO 03/075737 A2 9/2003
WO WO 03/092965 A2 11/2003
WO WO 03/099095 A1 12/2003

* cited by examiner

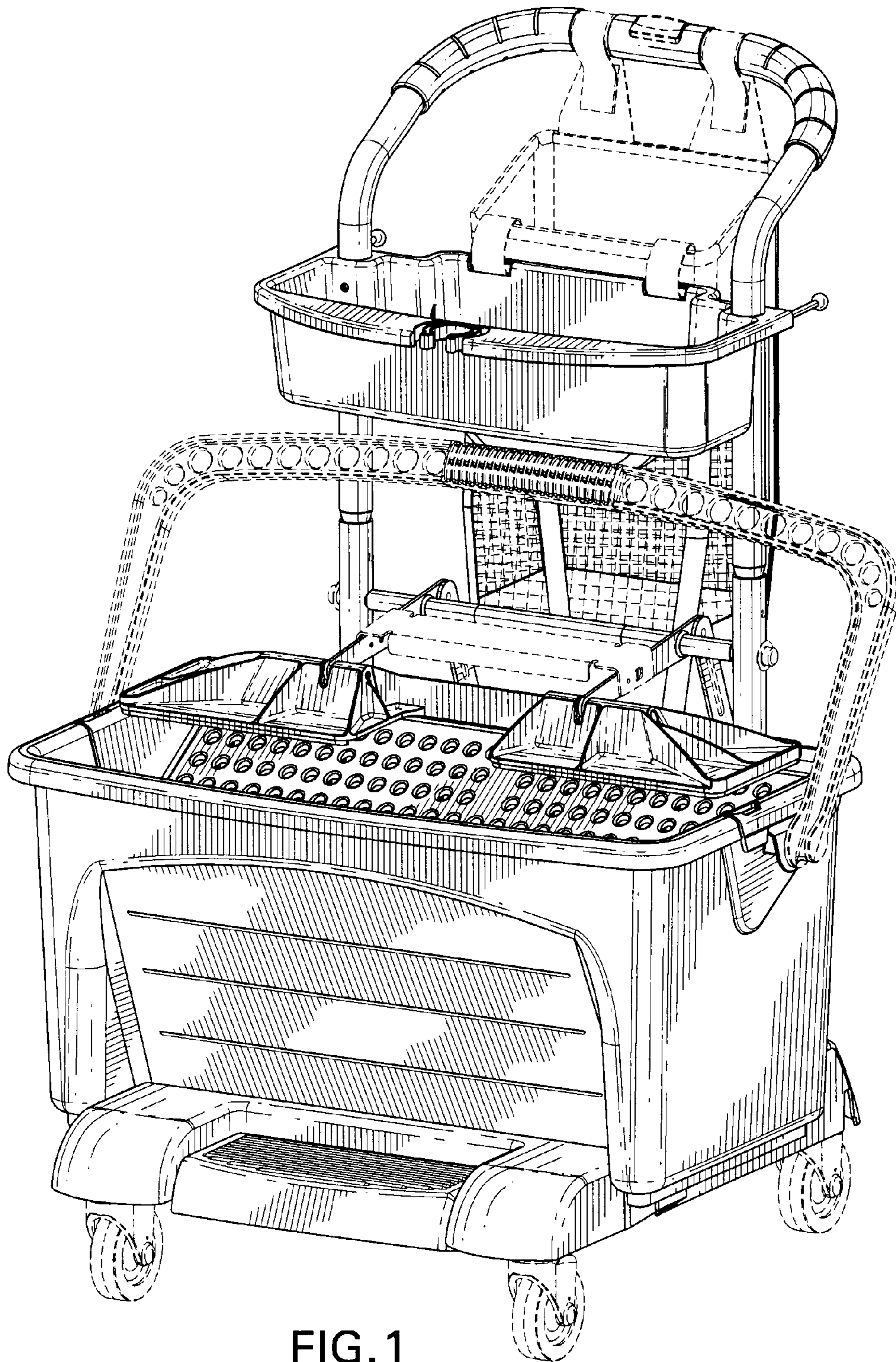


FIG. 1

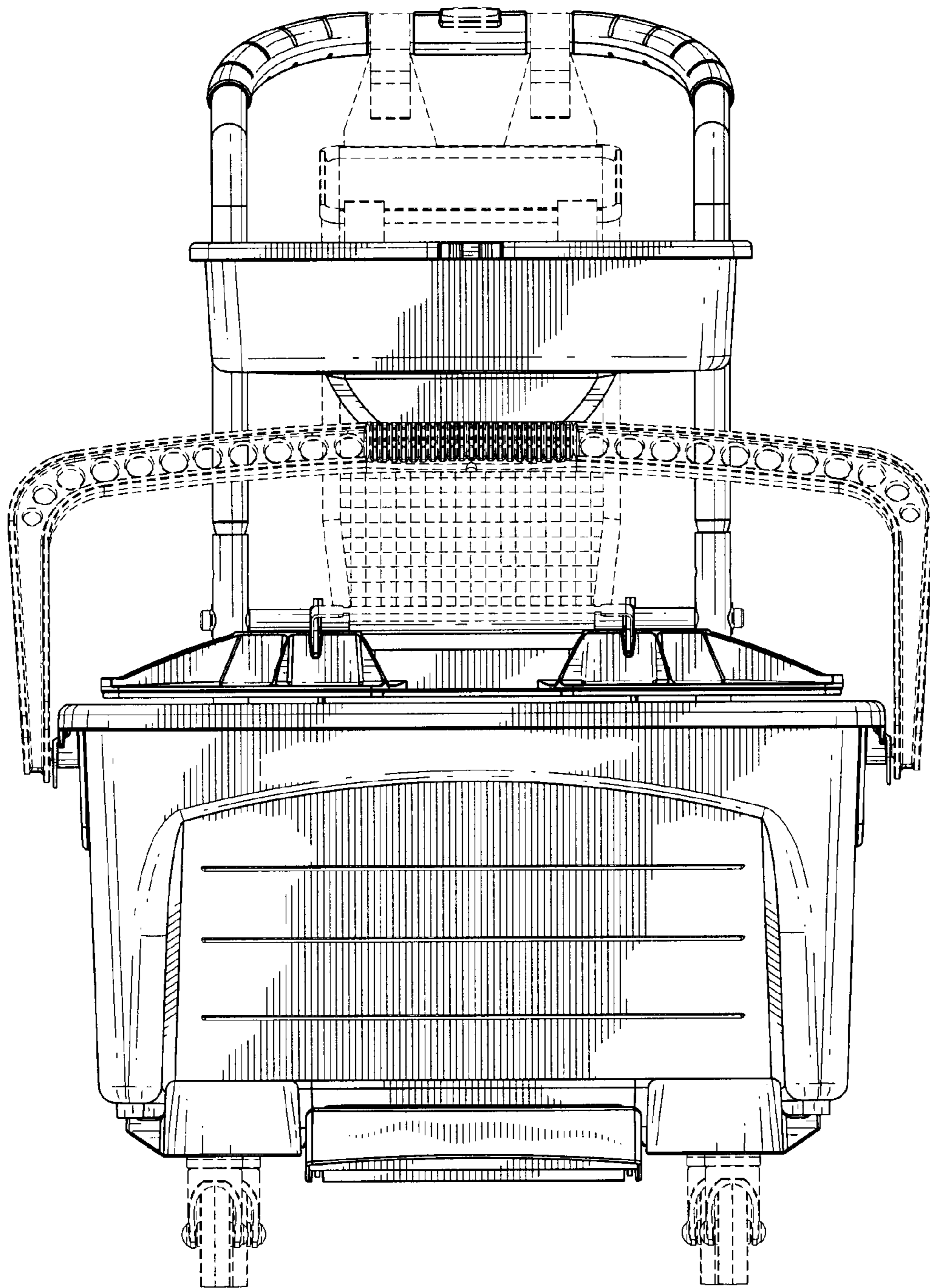


FIG. 2

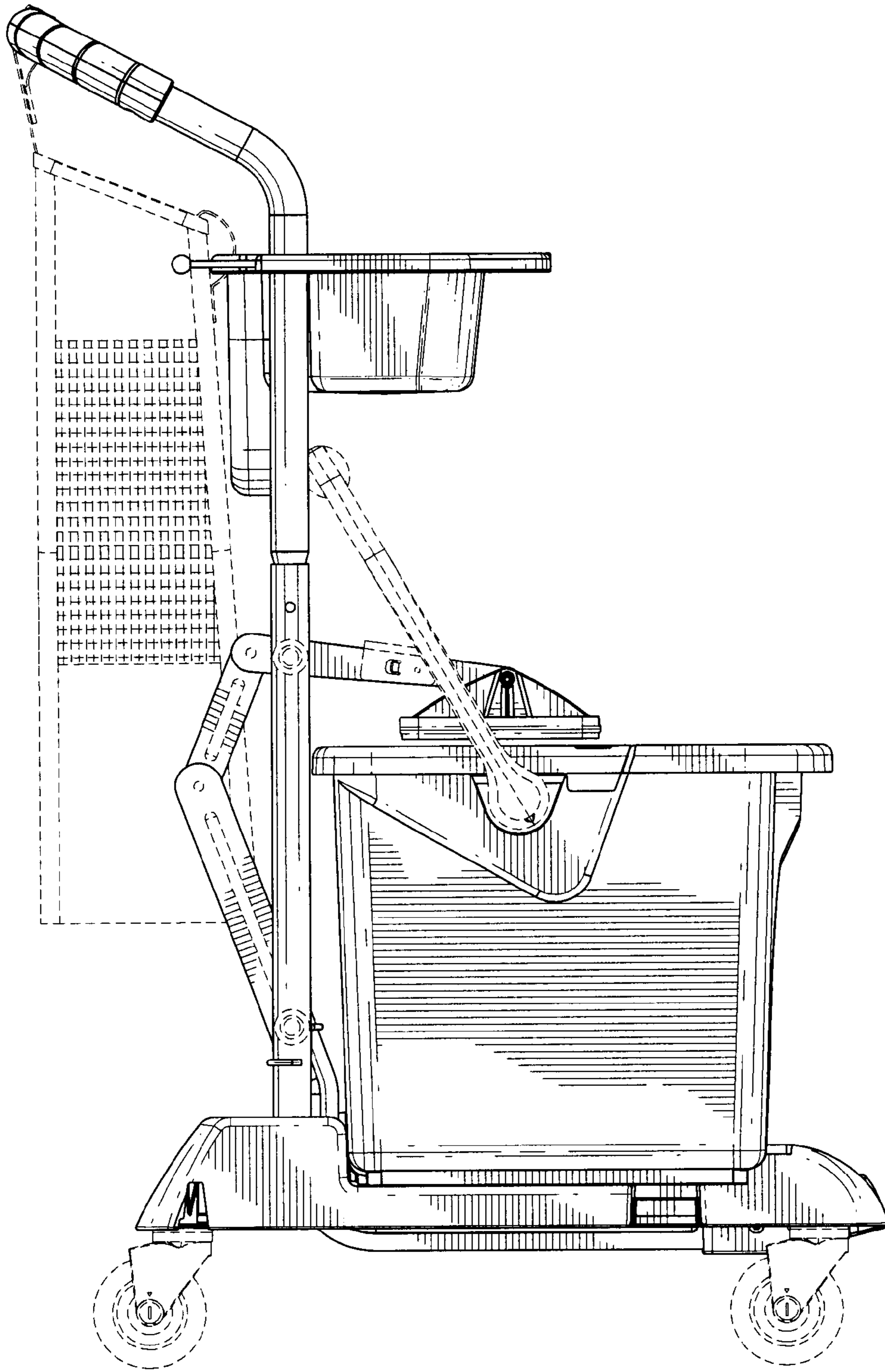


FIG. 3

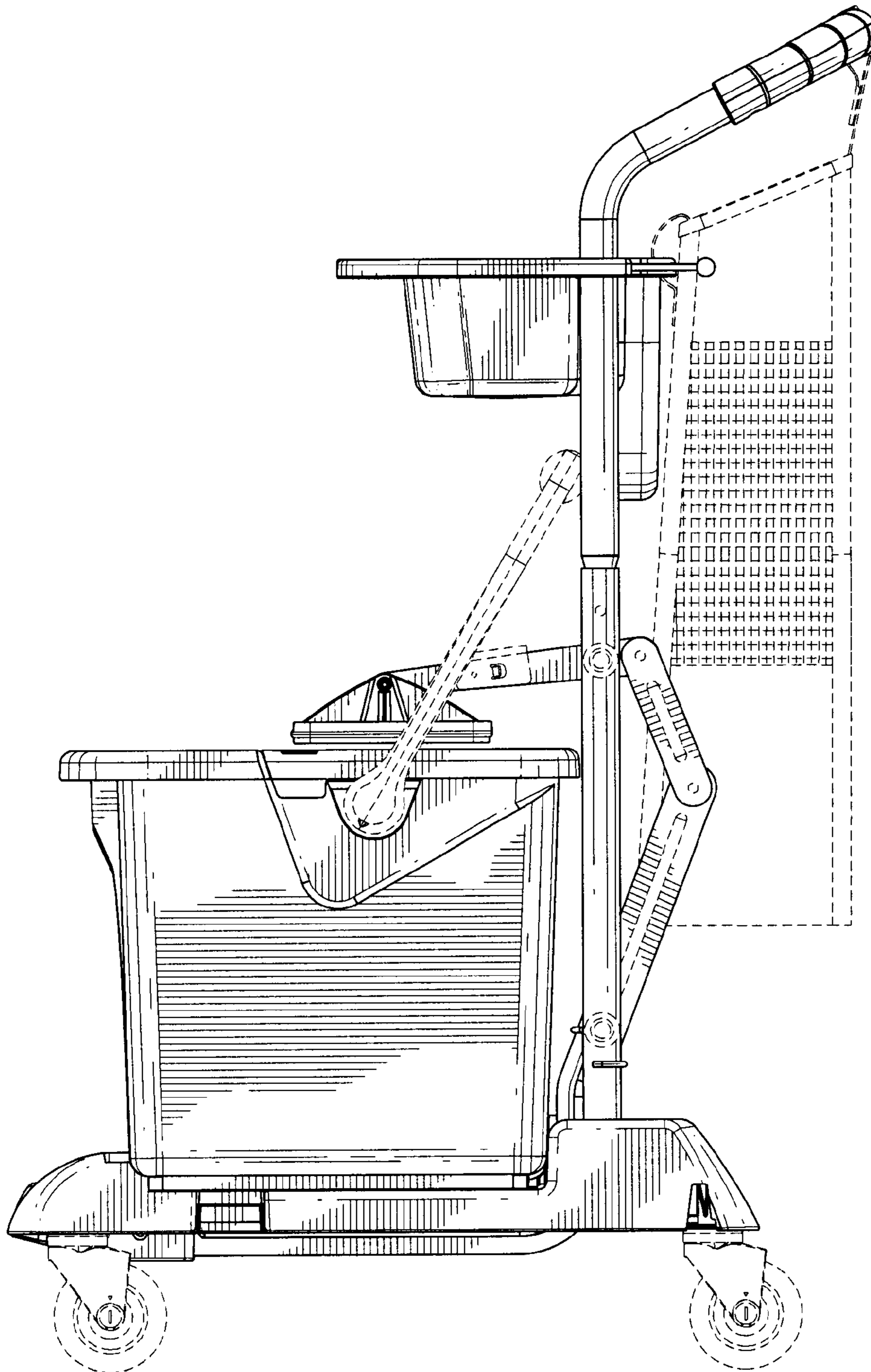


FIG.4

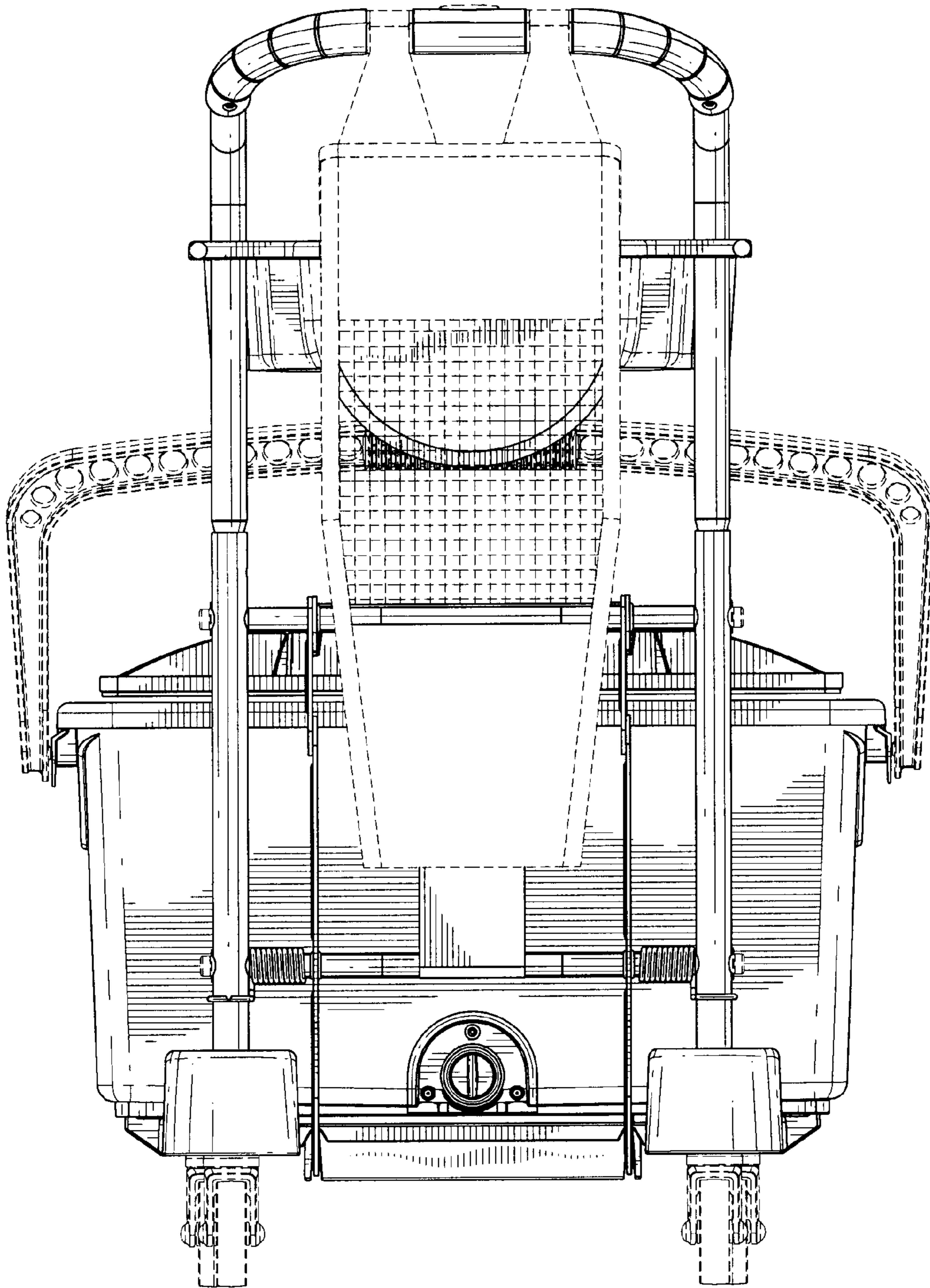


FIG. 5

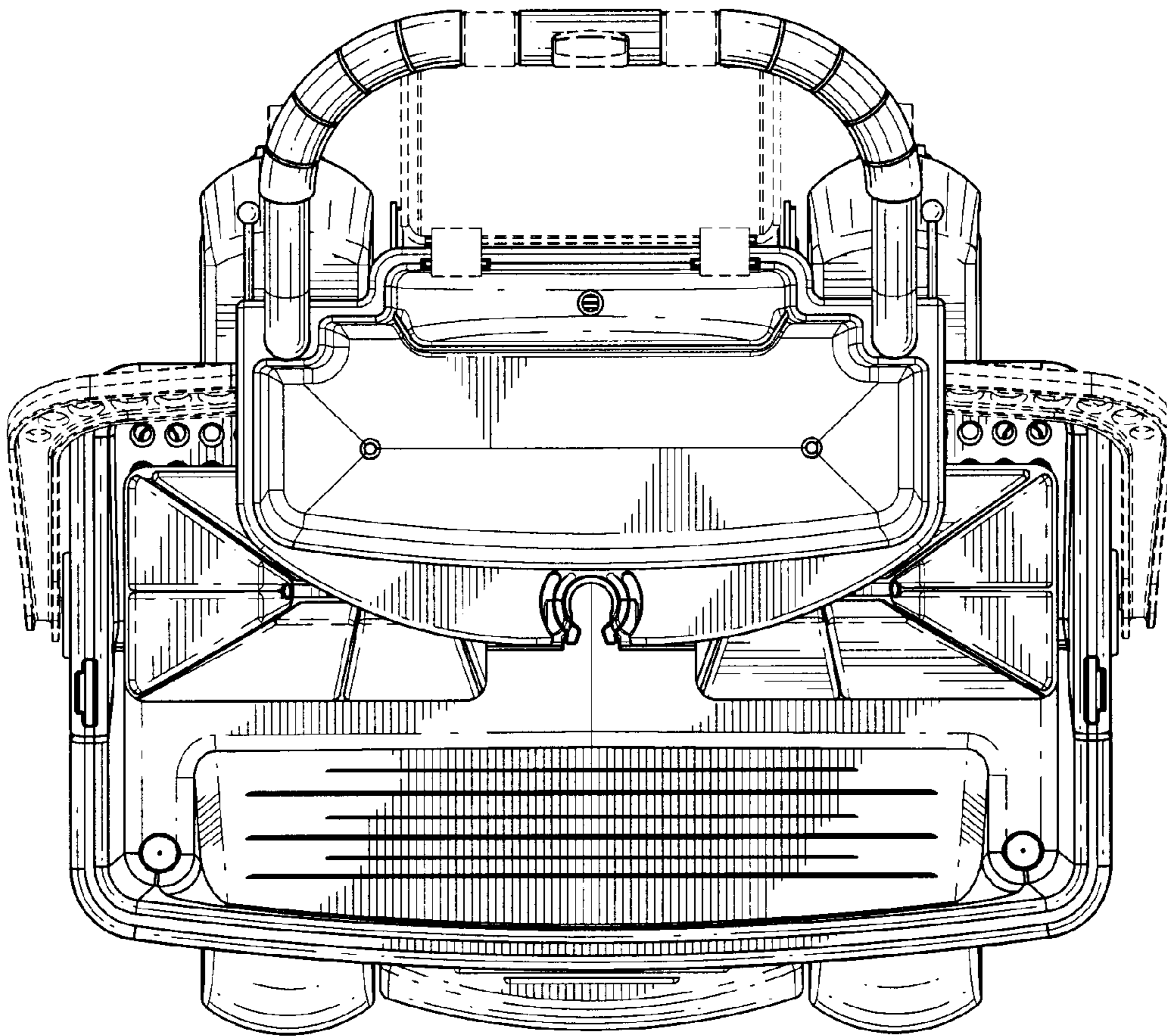


FIG.6

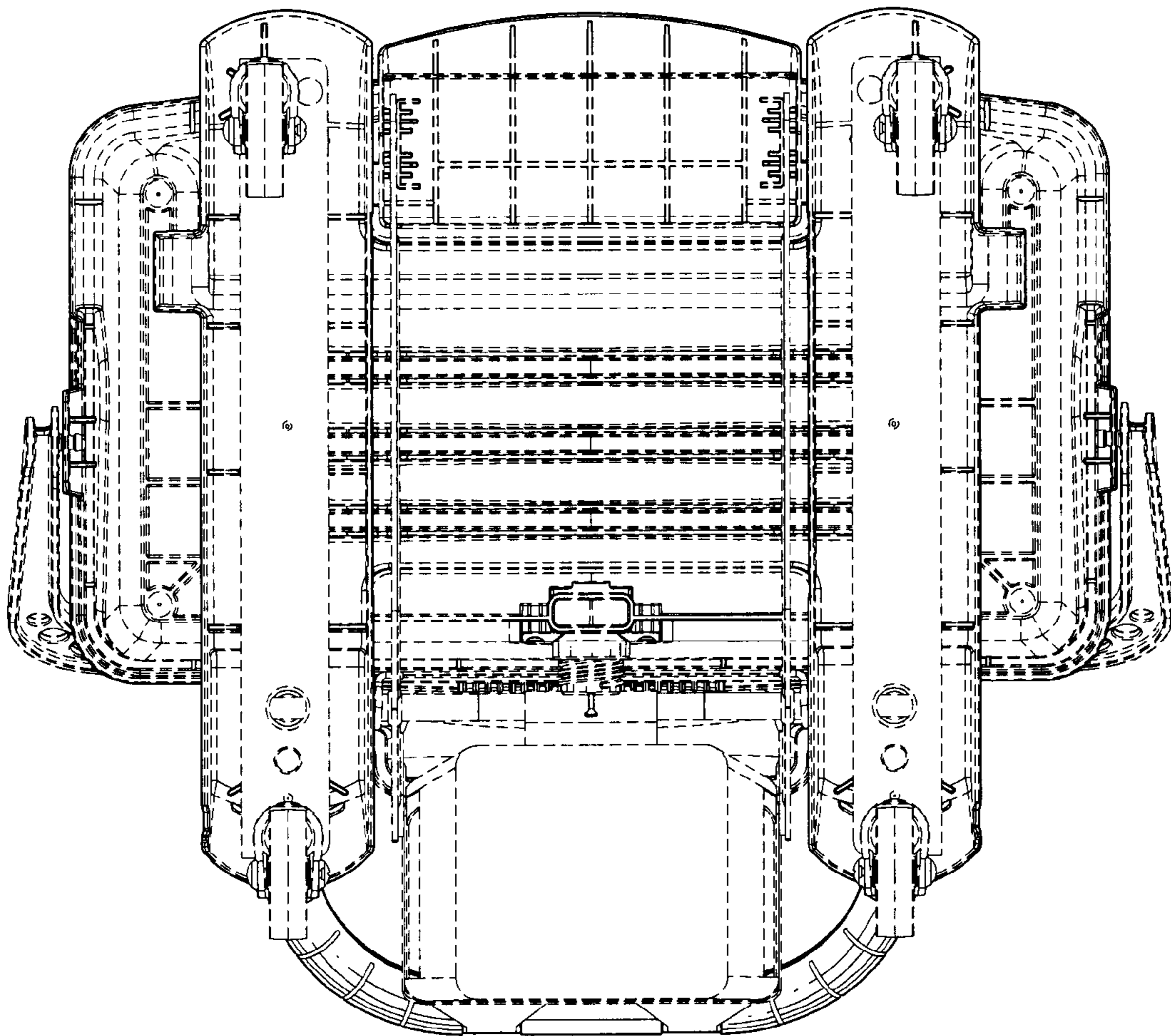


FIG. 7

UNITED STATES PATENT AND TRADEMARK OFFICE
CERTIFICATE OF CORRECTION

PATENT NO. : Des. 528,729 S
APPLICATION NO. : 29/229595
DATED : September 19, 2006
INVENTOR(S) : Alfred Reneau Van Lanningham, Jr.

Page 1 of 1

It is certified that error appears in the above-identified patent and that said Letters Patent is hereby corrected as shown below:

On Title Page,

Item (73) should read Assignee: Rubbermaid Commerical Products LLC,
Winchester, VA (US)

Signed and Sealed this

Twenty-ninth Day of May, 2007

A handwritten signature in black ink on a dotted background. The signature reads "Jon W. Dudas" in a cursive style.

JON W. DUDAS

Director of the United States Patent and Trademark Office

UNITED STATES PATENT AND TRADEMARK OFFICE
CERTIFICATE OF CORRECTION

PATENT NO. : Des. 528,729 S
APPLICATION NO. : 29/229595
DATED : September 19, 2006
INVENTOR(S) : Alfred Reneau Van Landingham, Jr.

Page 1 of 1

It is certified that error appears in the above-identified patent and that said Letters Patent is hereby corrected as shown below:

Title Page, Item (73) should read:

(73) Assignee: Rubbermaid Commercial Products LLC,
Winchester, VA (US)

Signed and Sealed this

Twenty-first Day of August, 2007

A handwritten signature in black ink on a light gray dotted background. The signature reads "Jon W. Dudas" in a cursive style.

JON W. DUDAS

Director of the United States Patent and Trademark Office